



US00D420616S

United States Patent [19] Saloom

[11] **Patent Number: Des. 420,616**

[45] **Date of Patent: ** Feb. 15, 2000**

[54] **WRISTBAND CONTAINING A WHISTLE**

D. 372,878 8/1996 Finnegan D11/3
3,660,916 5/1972 McDermott et al. D11/2
4,489,867 12/1984 Schwemberger D3/207

[76] Inventor: **Cynthia Saloom**, 64 Delancy Ct., North Brunswick, N.J. 08902

Primary Examiner—Ralf Seifert
Attorney, Agent, or Firm—Arthur L. Plevy

[**] Term: **14 Years**

[57] **CLAIM**

[21] Appl. No.: **29/097,213**

The ornamental design for a wristband containing a whistle, as shown.

[22] Filed: **Dec. 1, 1998**

DESCRIPTION

[51] **LOC (7) Cl.** **11-01**

[52] **U.S. Cl.** **D11/3**

[58] **Field of Search** D11/1-8, 26-27,
D11/93, 94; 63/1.1-11; 224/175; D10/32;
D3/208; D21/405

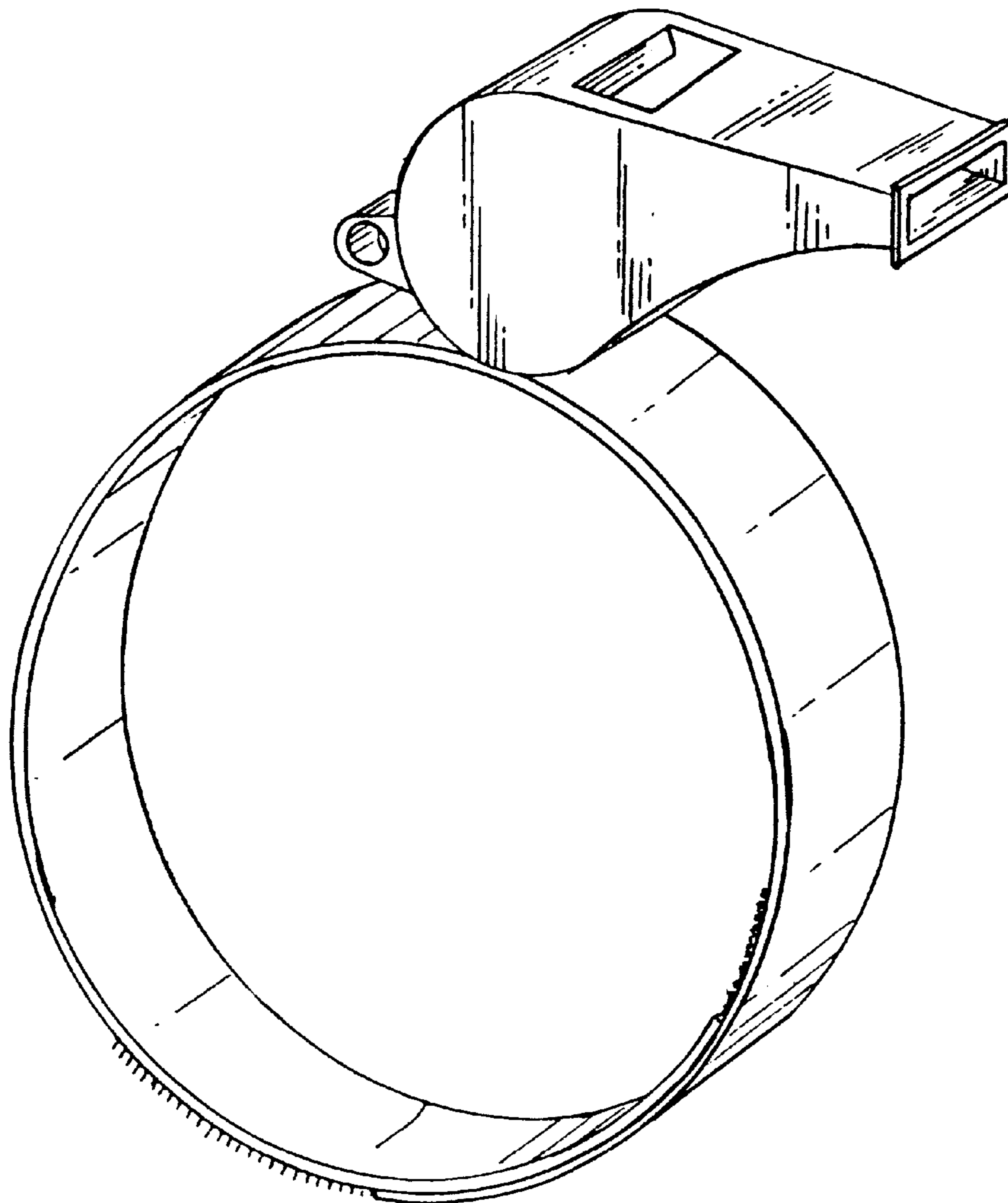
FIG. 1 is a perspective plan view of the wristband containing a whistle;
FIG. 2 is a front plan view;
FIG. 3 is a rear view;
FIG. 4 is a right side view;
FIG. 5 is a top view; and,
FIG. 6 is a bottom view.

[56] **References Cited**

U.S. PATENT DOCUMENTS

D. 318,239 7/1991 Boyer et al. D10/32
D. 353,119 12/1994 Greely et al. D11/3

1 Claim, 3 Drawing Sheets



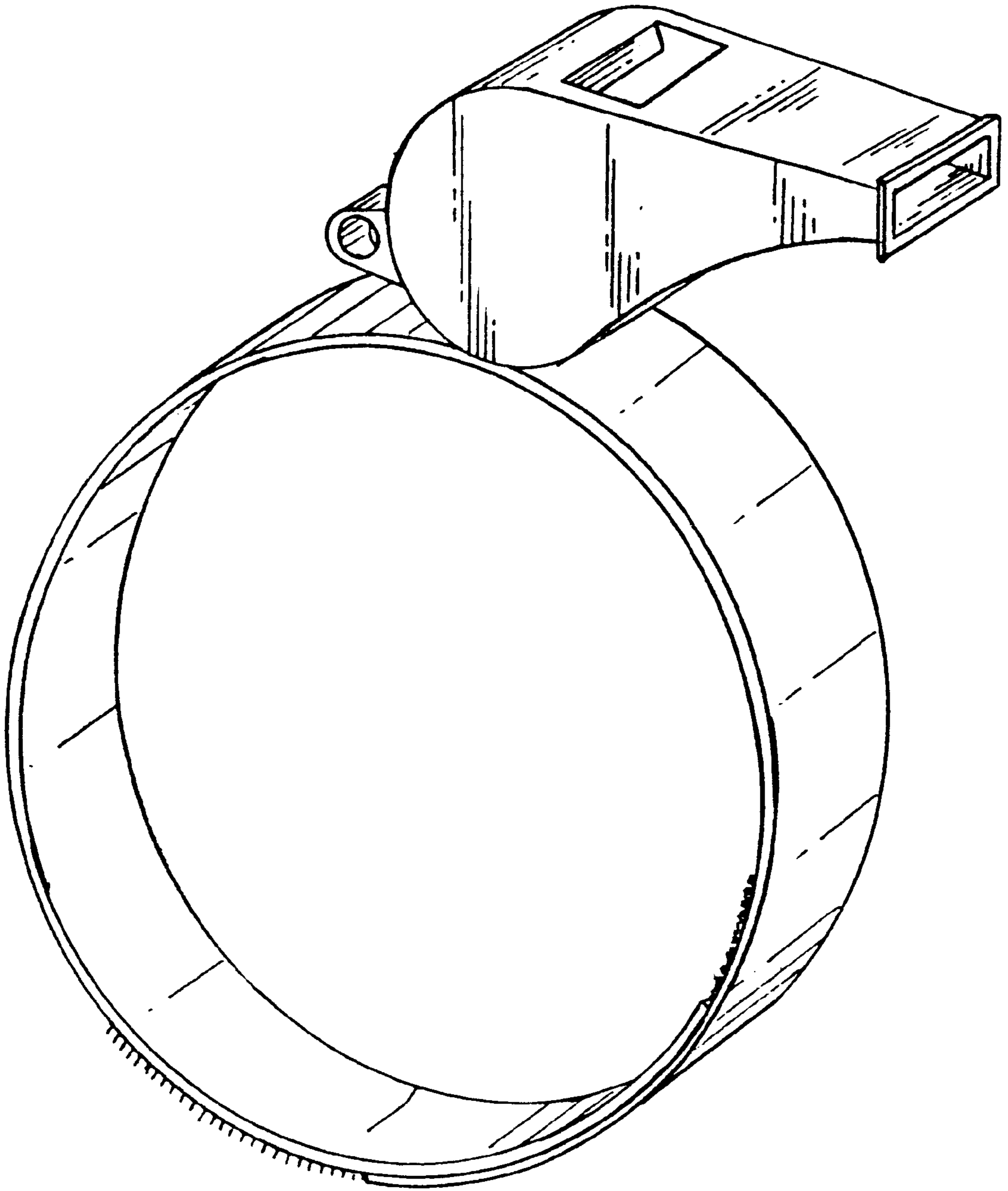


FIG. 1

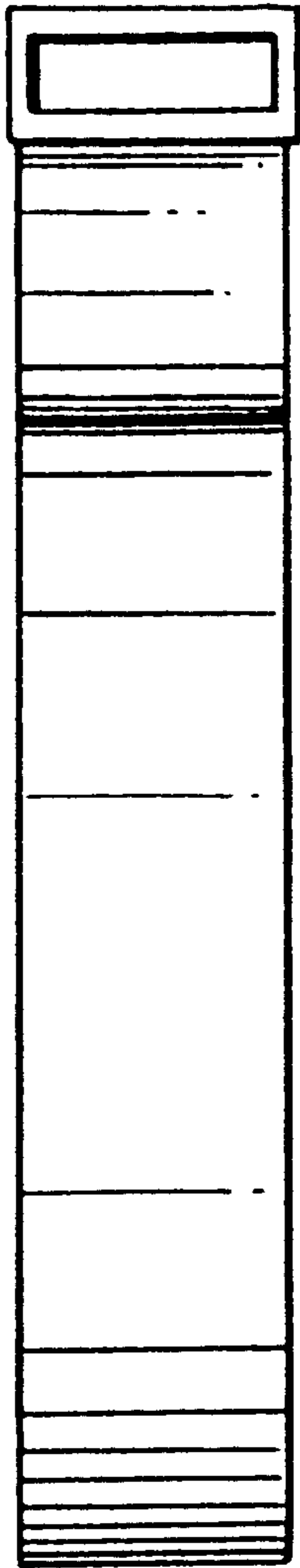


FIG. 2

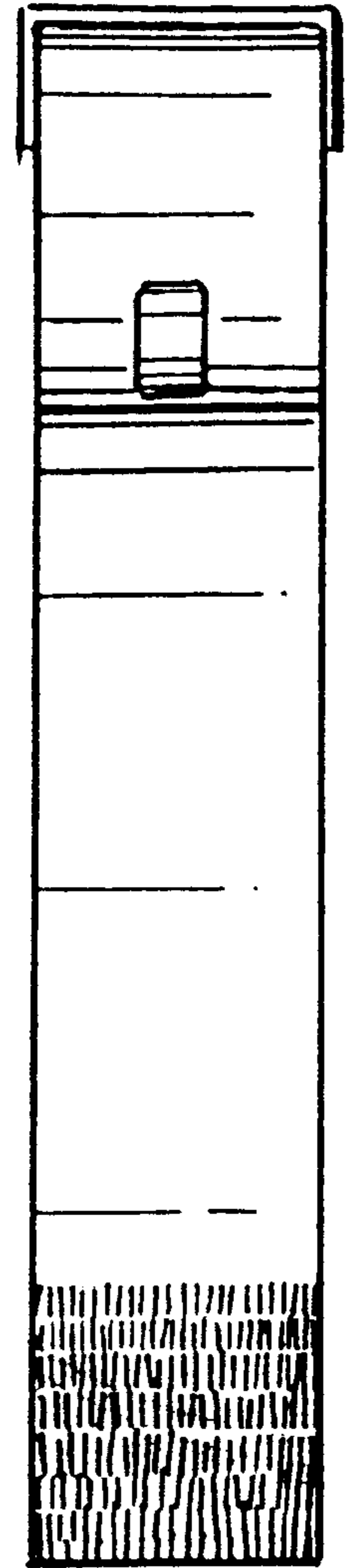


FIG. 3

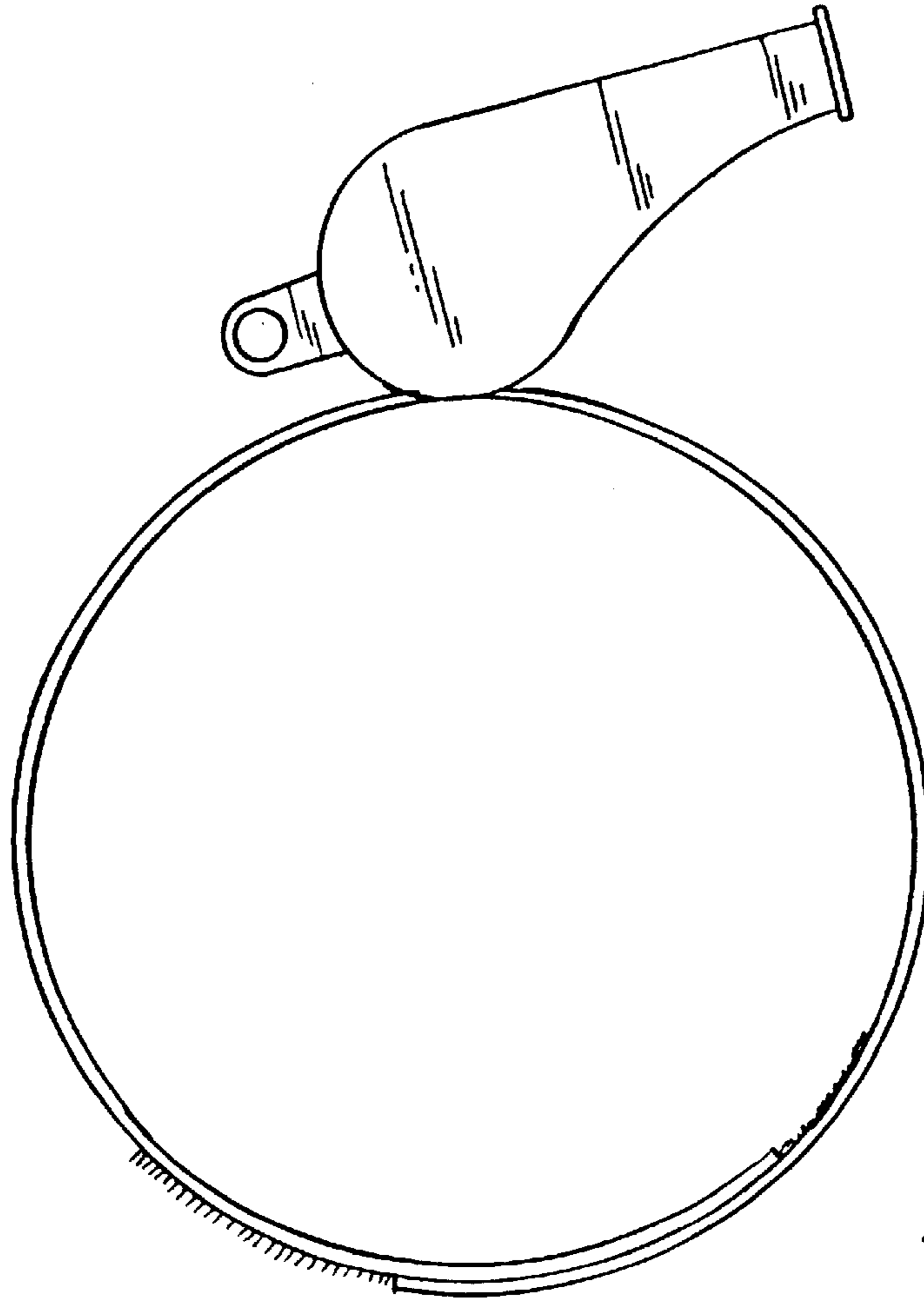


FIG. 4

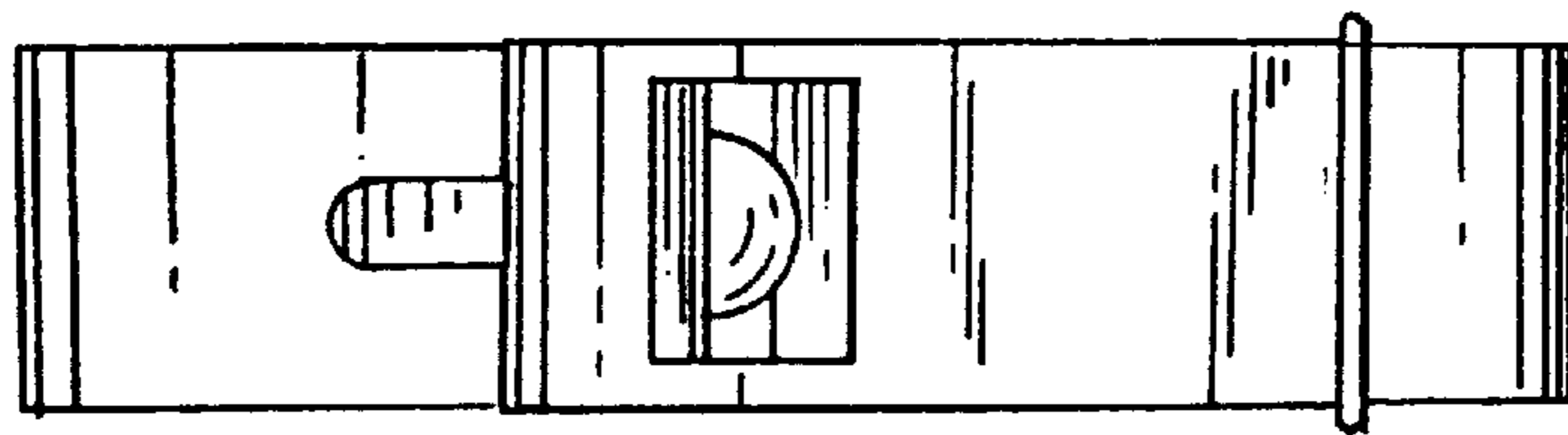


FIG. 5

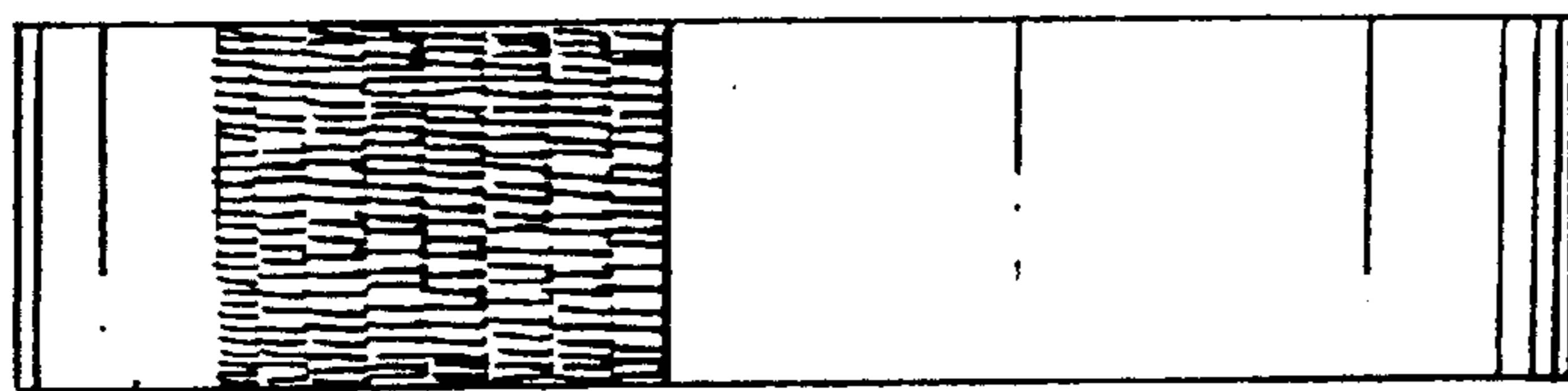


FIG. 6