



US00D420615S

United States Patent [19]
Mongeau

[11] **Patent Number: Des. 420,615**

[45] **Date of Patent: ** *Feb. 15, 2000**

[54] **VISUAL ALARM SIGNALING DEVICE
GUARD**

D. 328,875 8/1992 Perkins D10/106
D. 379,070 5/1997 Witzig D10/106

[75] Inventor: **James A. Mongeau**, Marlboro, Mass.

[73] Assignee: **Space Age Electronics, Inc.**, Marlboro, Mass.

Primary Examiner—Marcus A. Jackson
Attorney, Agent, or Firm—G. D. Clapp, Esq.

[*] Notice: This patent is subject to a terminal disclaimer.

[**] Term: **14 Years**

[57] **CLAIM**

The ornamental design for a visual alarm signaling device guard, as shown and described.

[21] Appl. No.: **29/057,097**

[22] Filed: **Jul. 16, 1996**

DESCRIPTION

[51] **LOC (7) Cl.** **10-10**

[52] **U.S. Cl.** **D10/121**

[58] **Field of Search** D10/104, 106,
D10/114, 116, 121; 340/561, 565, 566,
567, 541, 545, 547, 551, 552, 555, 556

FIG. 1 is a lower right perspective view showing my new design;

FIG. 2 is a front view thereof;

FIG. 3 is a top view thereof;

FIG. 4 is a right side view thereof; and,

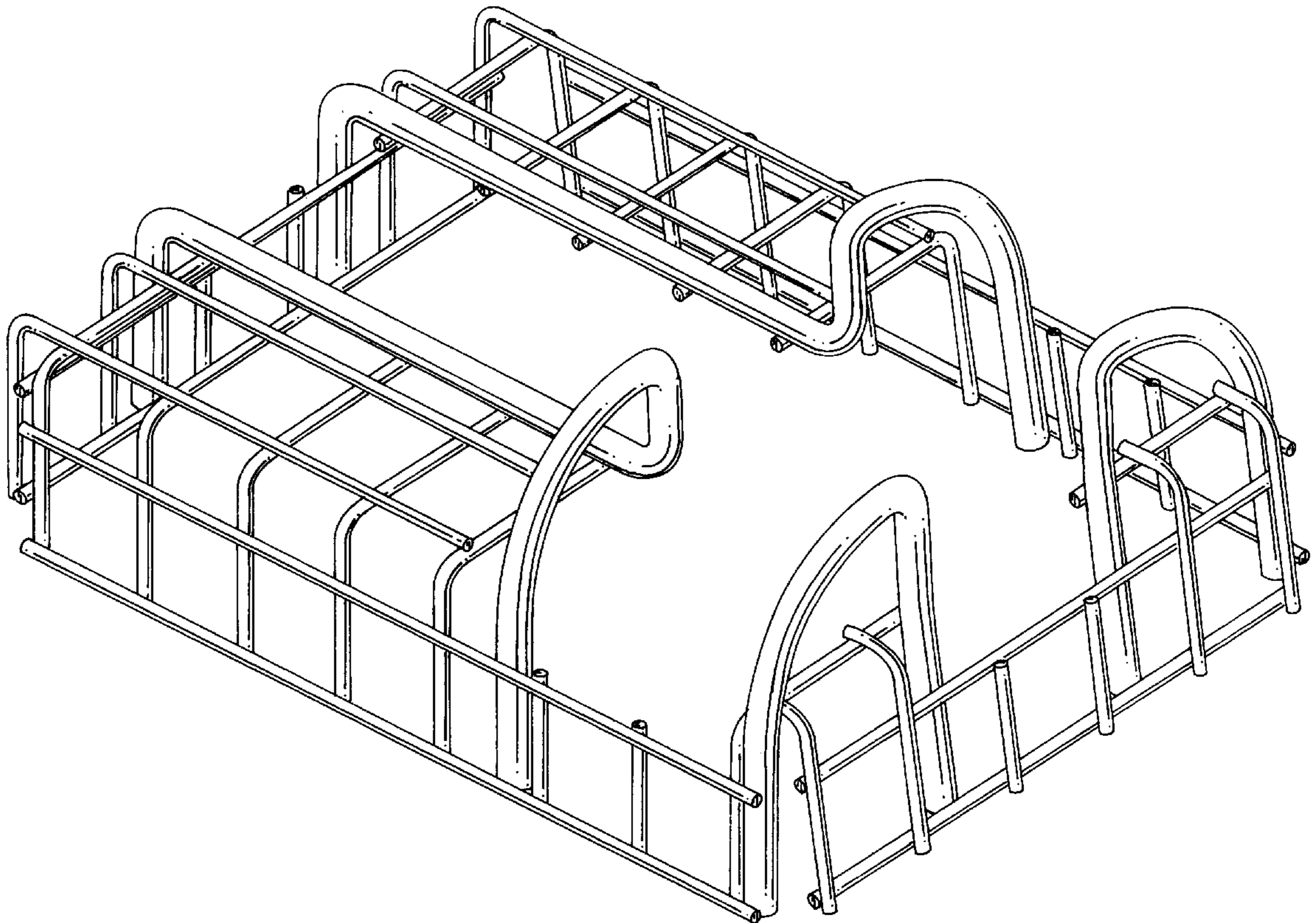
FIG. 5 is a left side view thereof.

[56] **References Cited**

U.S. PATENT DOCUMENTS

D. 297,318 8/1988 Taylor D10/106

1 Claim, 3 Drawing Sheets



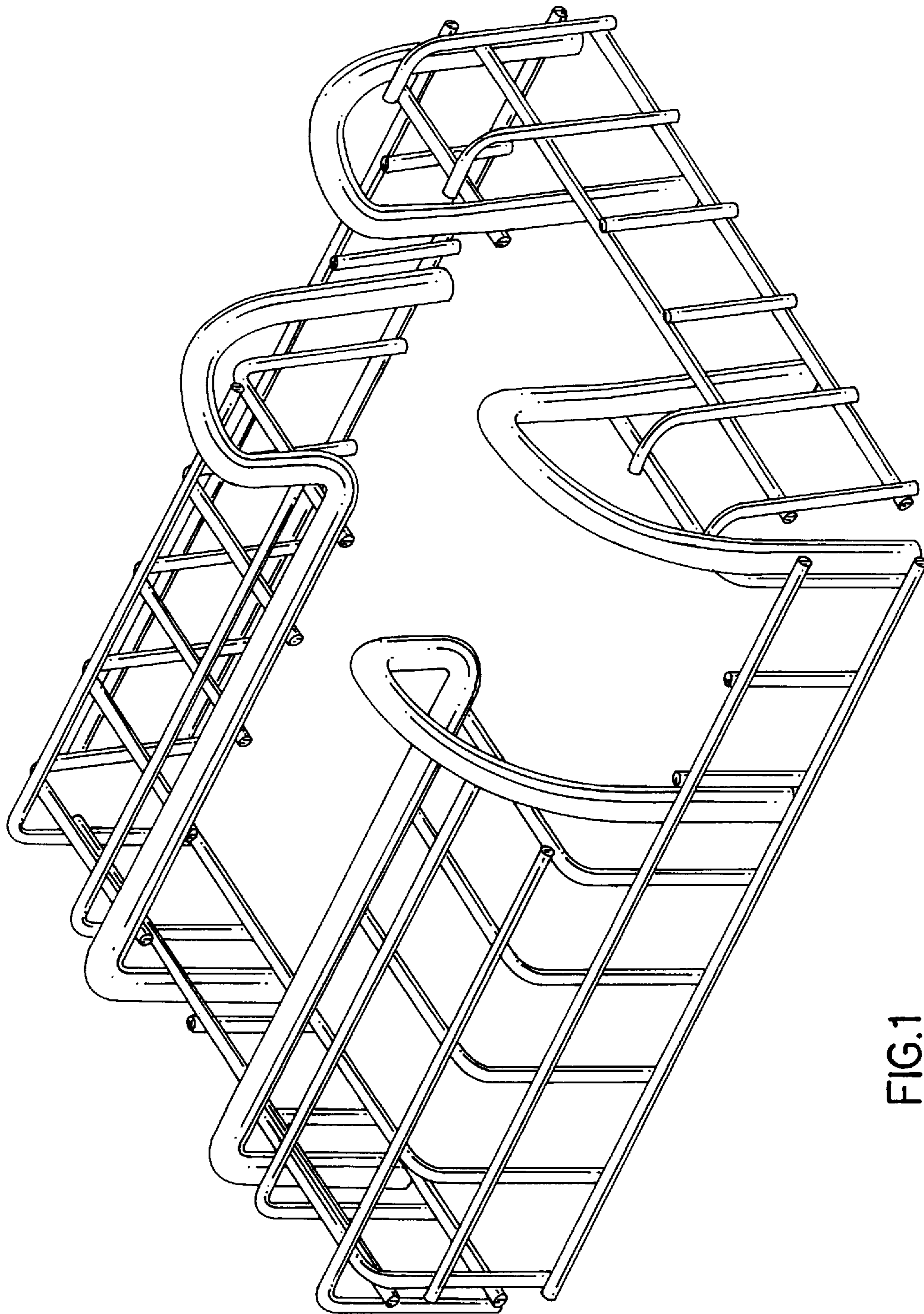


FIG.1

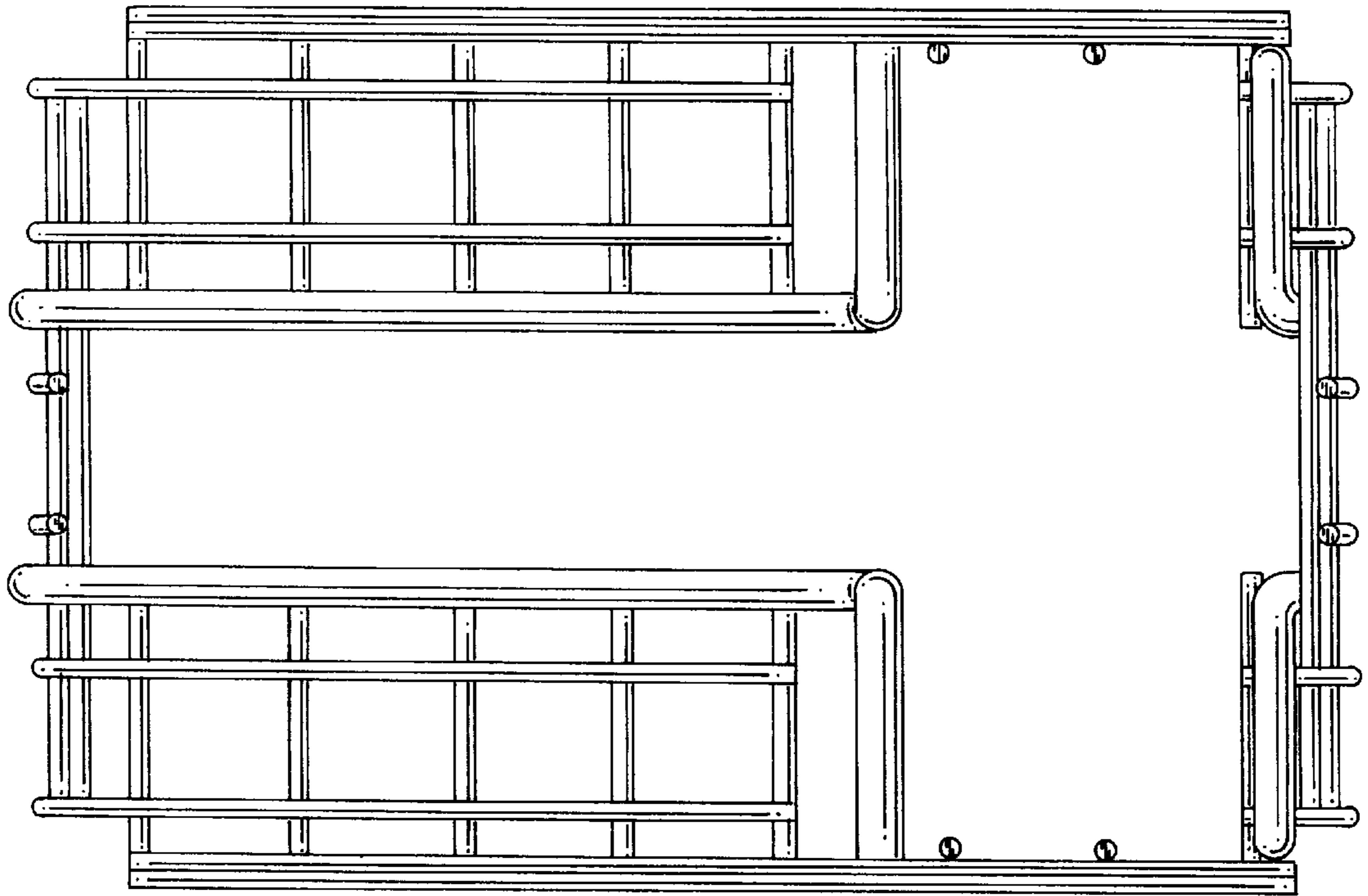


FIG. 2

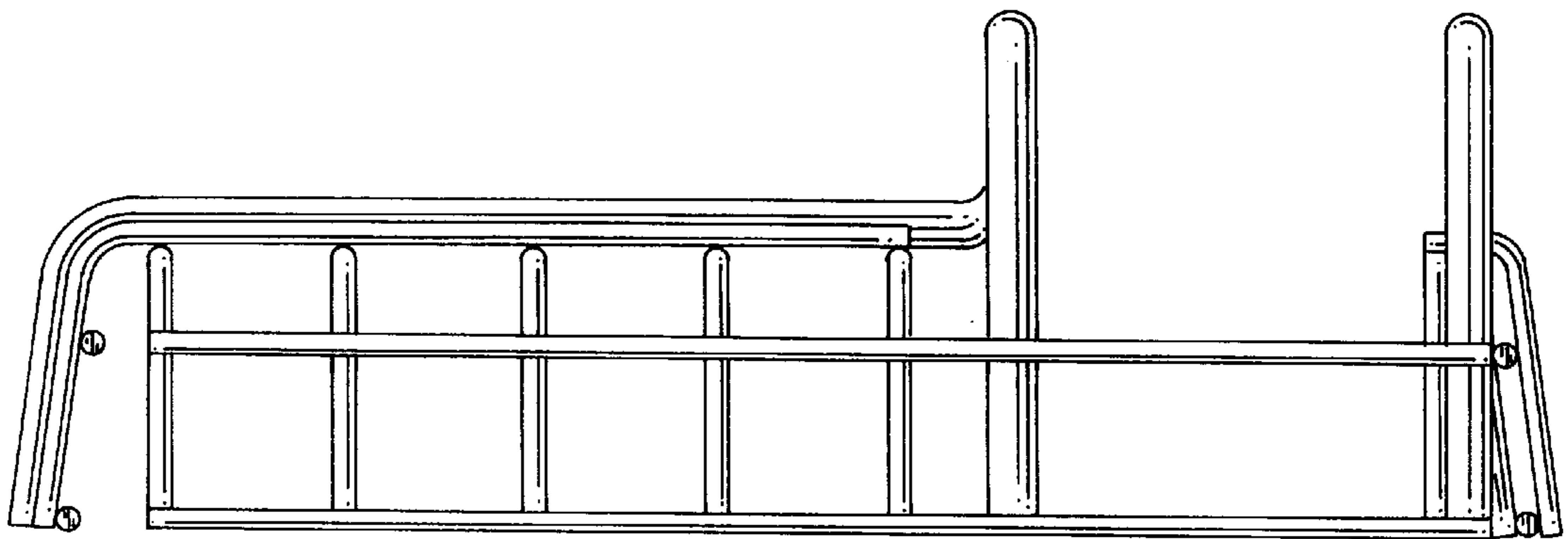


FIG. 3

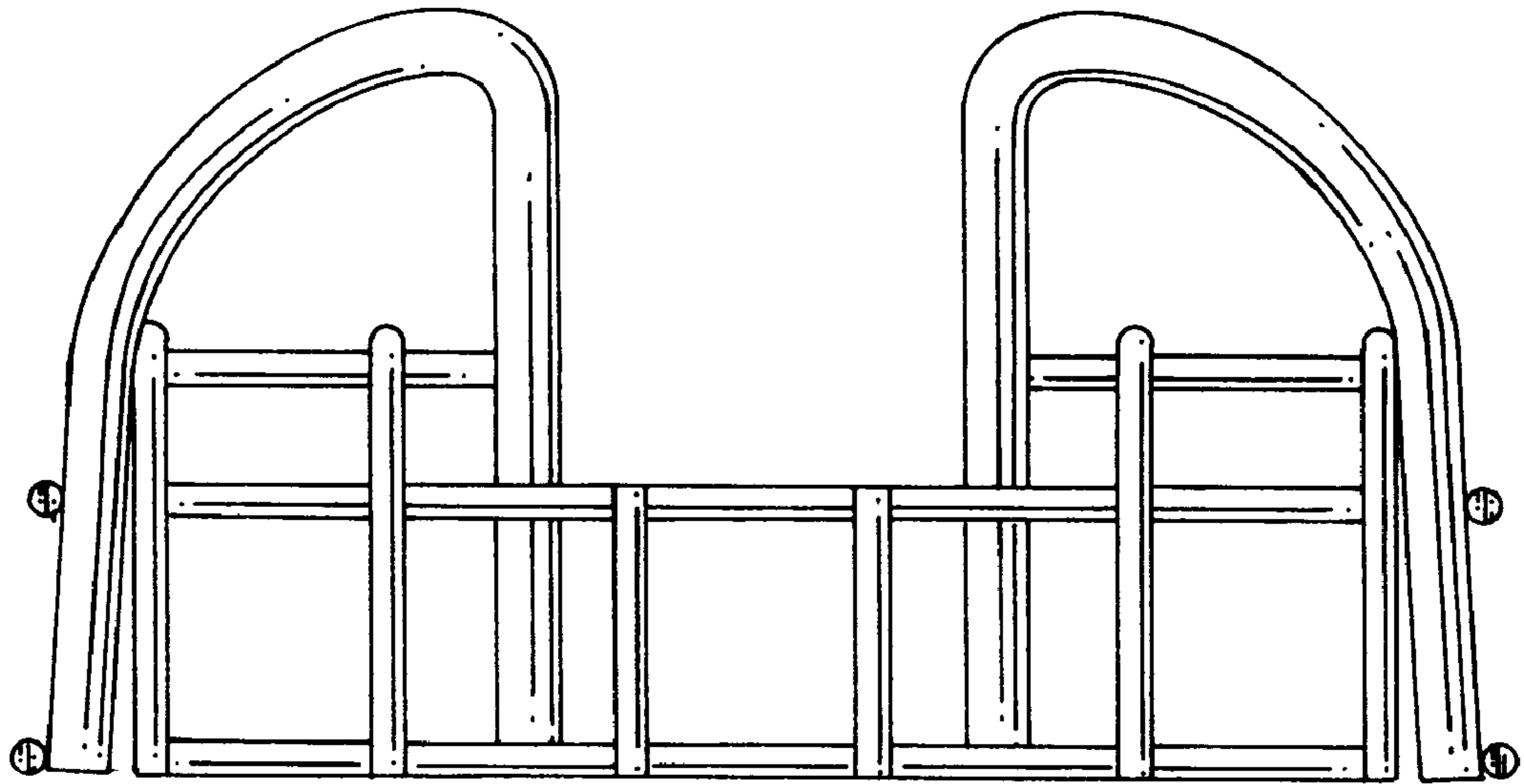


FIG. 4

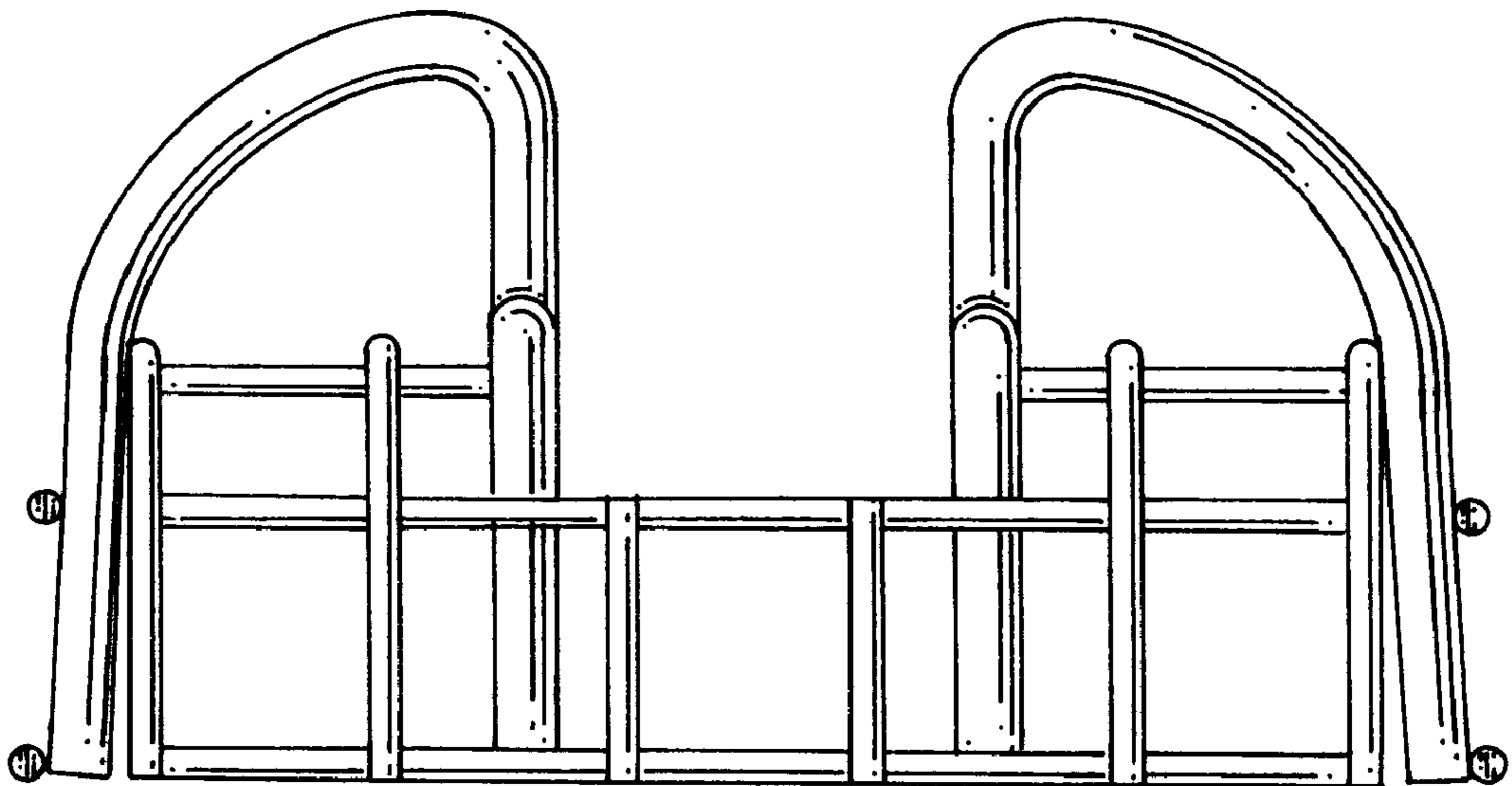


FIG. 5