



US00D420611S

# United States Patent [19]

Fujii et al.

[11] **Patent Number: Des. 420,611**

[45] **Date of Patent: \*\* Feb. 15, 2000**

[54] **COUNTERFEIT BILL INSPECTING MACHINE**

D. 404,667 1/1999 Montgomery et al. .... D10/104

[75] Inventors: **Toshiro Fujii; Hideyuki Kojima; Shingo Iwata**, all of Osaka-fu, Japan

*Primary Examiner*—Marcus A. Jackson  
*Attorney, Agent, or Firm*—Weingarten, Schurgin, Gagnebin & Hayes LLP

[73] Assignee: **Sanyo Electric Co., Ltd.**, Osaka-fu, Japan

[57] **CLAIM**

[\*\*] Term: **14 Years**

We claim the ornamental design for a counterfeit bill inspecting machine, as shown.

[21] Appl. No.: **29/104,701**

**DESCRIPTION**

[22] Filed: **May 10, 1999**

[30] **Foreign Application Priority Data**

Nov. 12, 1998 [JP] Japan ..... 10-32897

FIG. 1 is a top, front, and right side perspective view of our design for a counterfeit bill inspecting machine;

[51] **LOC (7) Cl.** ..... **10-05**

FIG. 2 is a front view thereof;

[52] **U.S. Cl.** ..... **D10/104**

FIG. 3 is a top plan view thereof;

[58] **Field of Search** ..... D10/104, 106, D10/121; 340/565, 567, 568, 571, 572, 573, 500, 502, 503, 504, 505, 506

FIG. 4 is a right side view thereof;

FIG. 5 is a left side view thereof;

FIG. 6 is a back side view thereof; and,

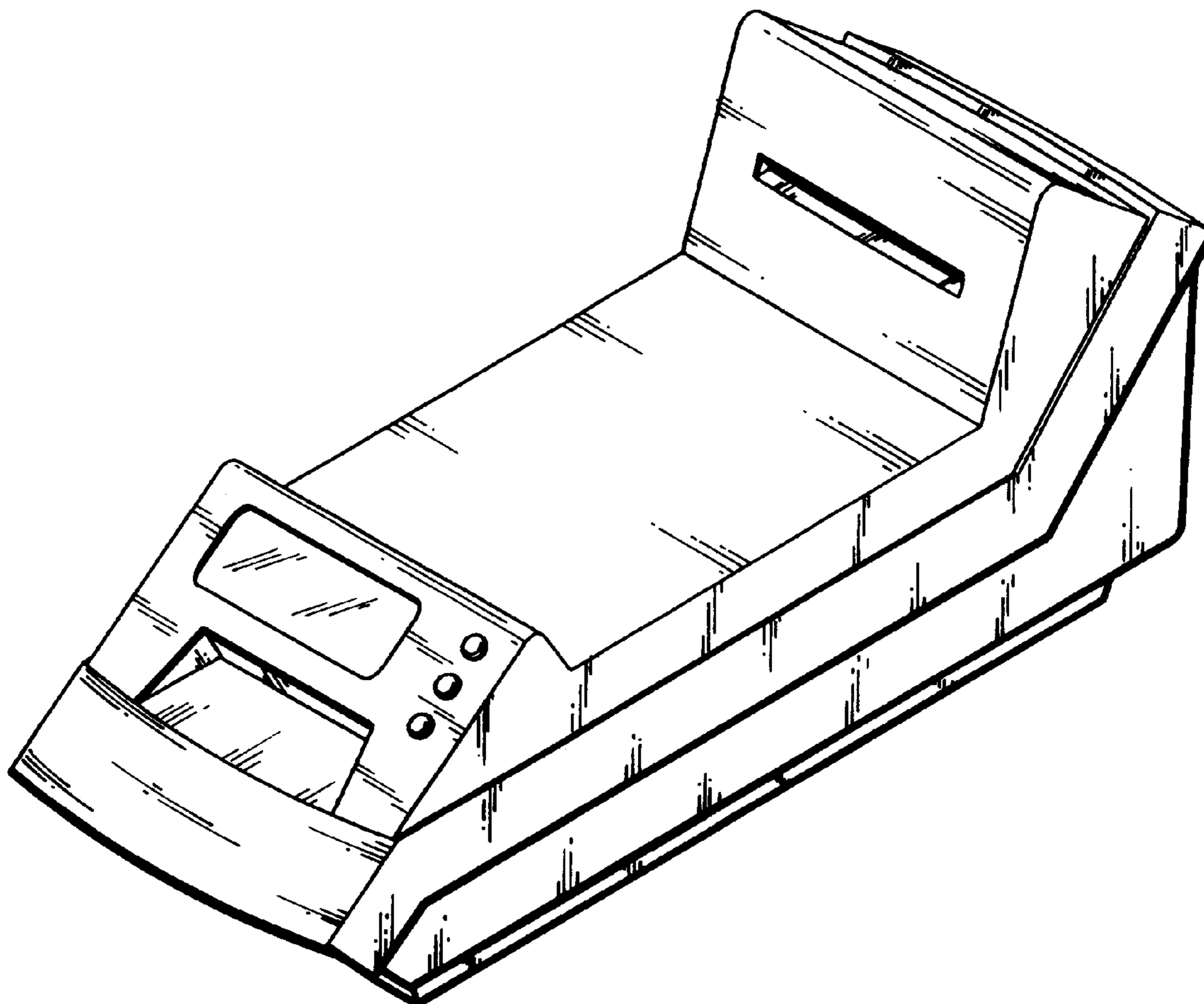
FIG.7 is a bottom view thereof.

[56] **References Cited**

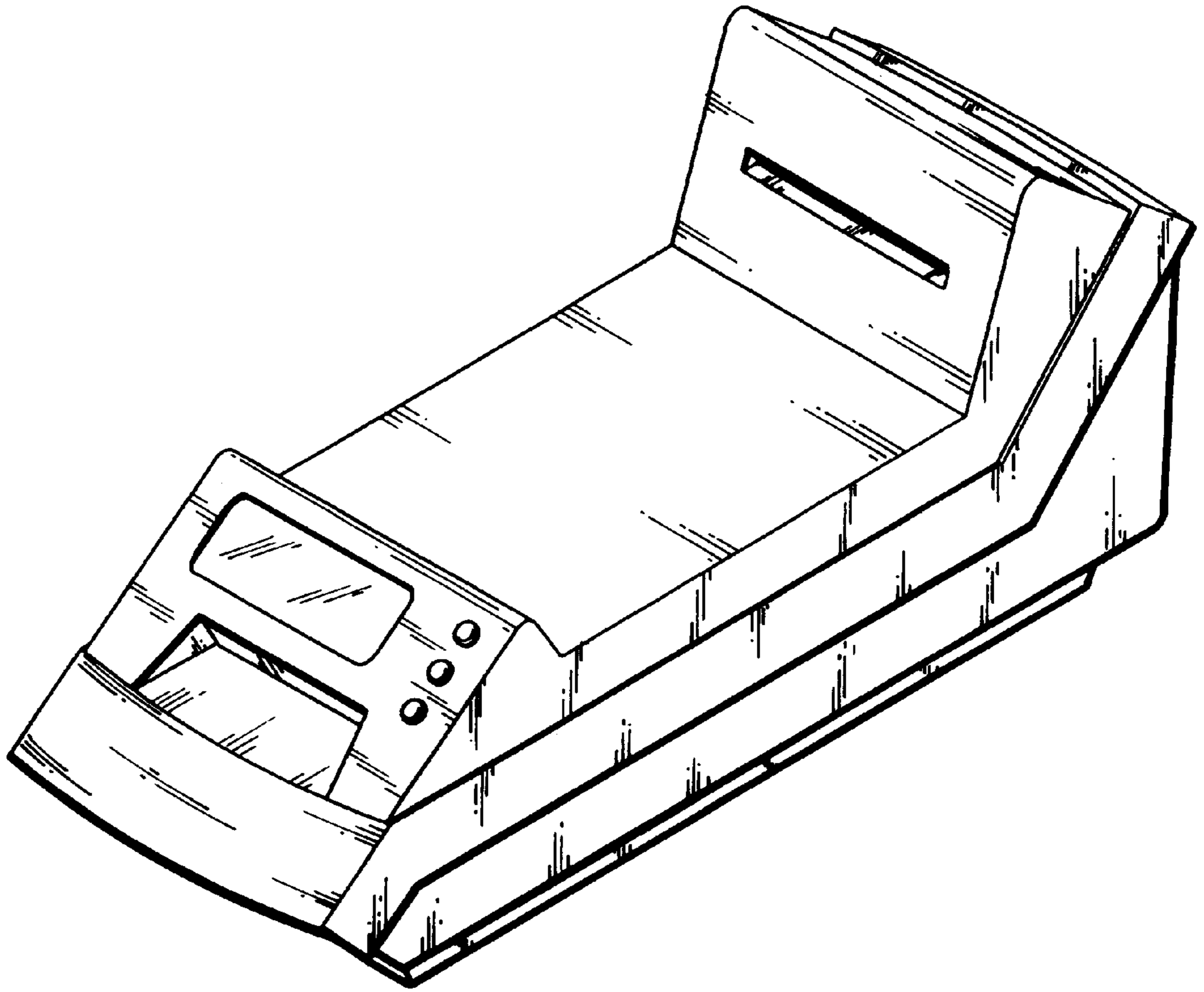
**U.S. PATENT DOCUMENTS**

D. 391,182 2/1998 Schneider et al. .... D10/104

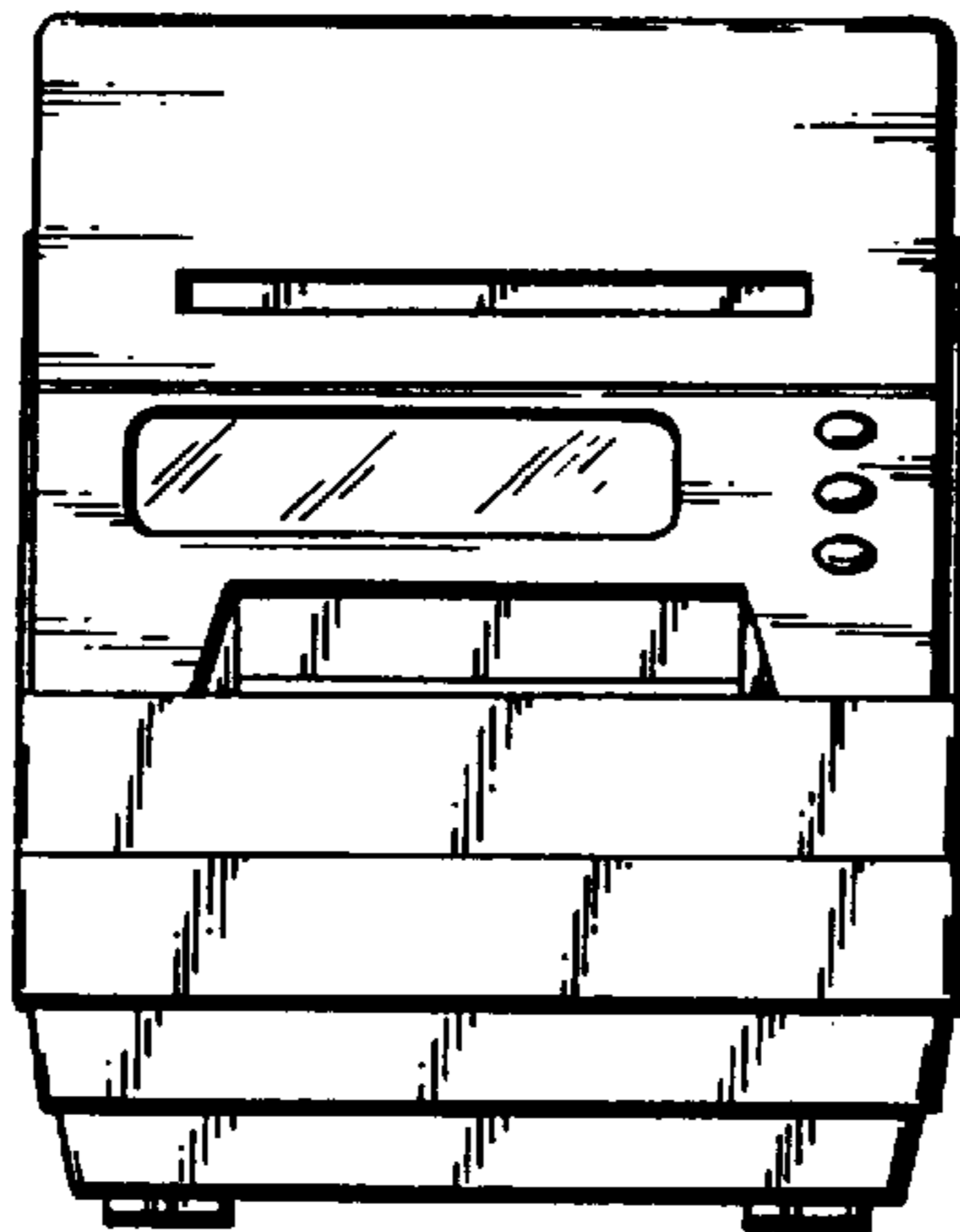
**1 Claim, 4 Drawing Sheets**



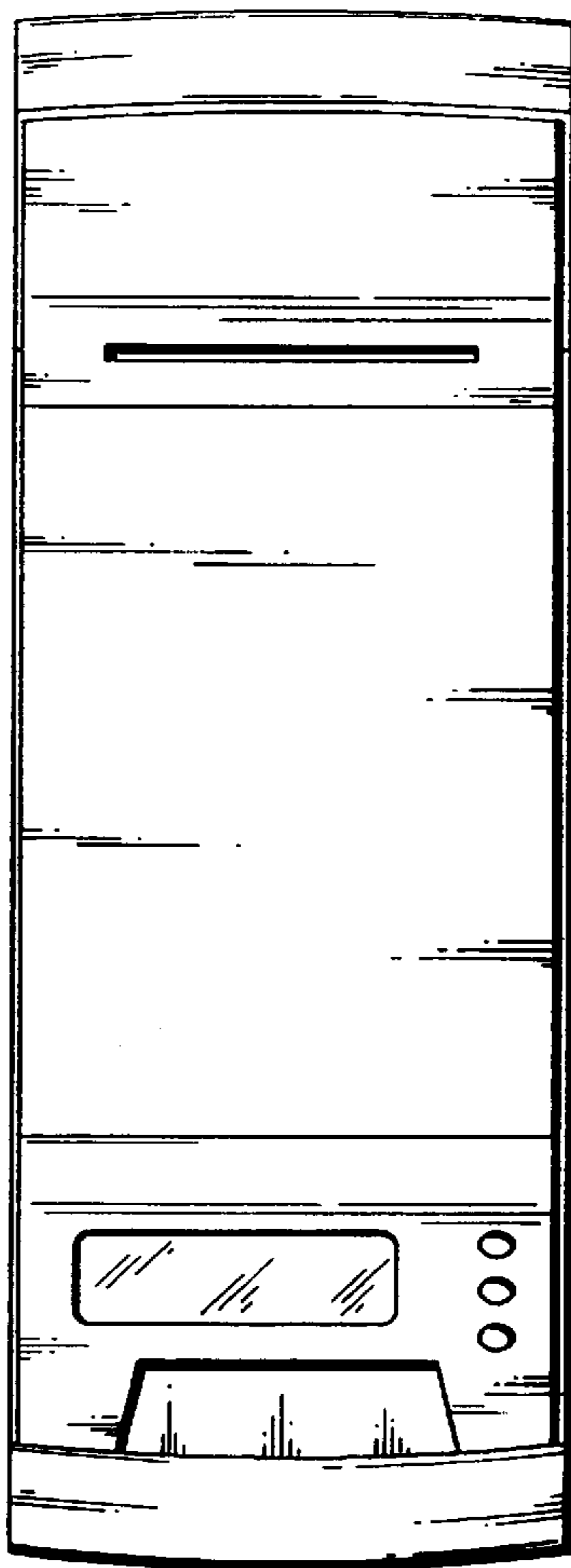
**Fig. 1**



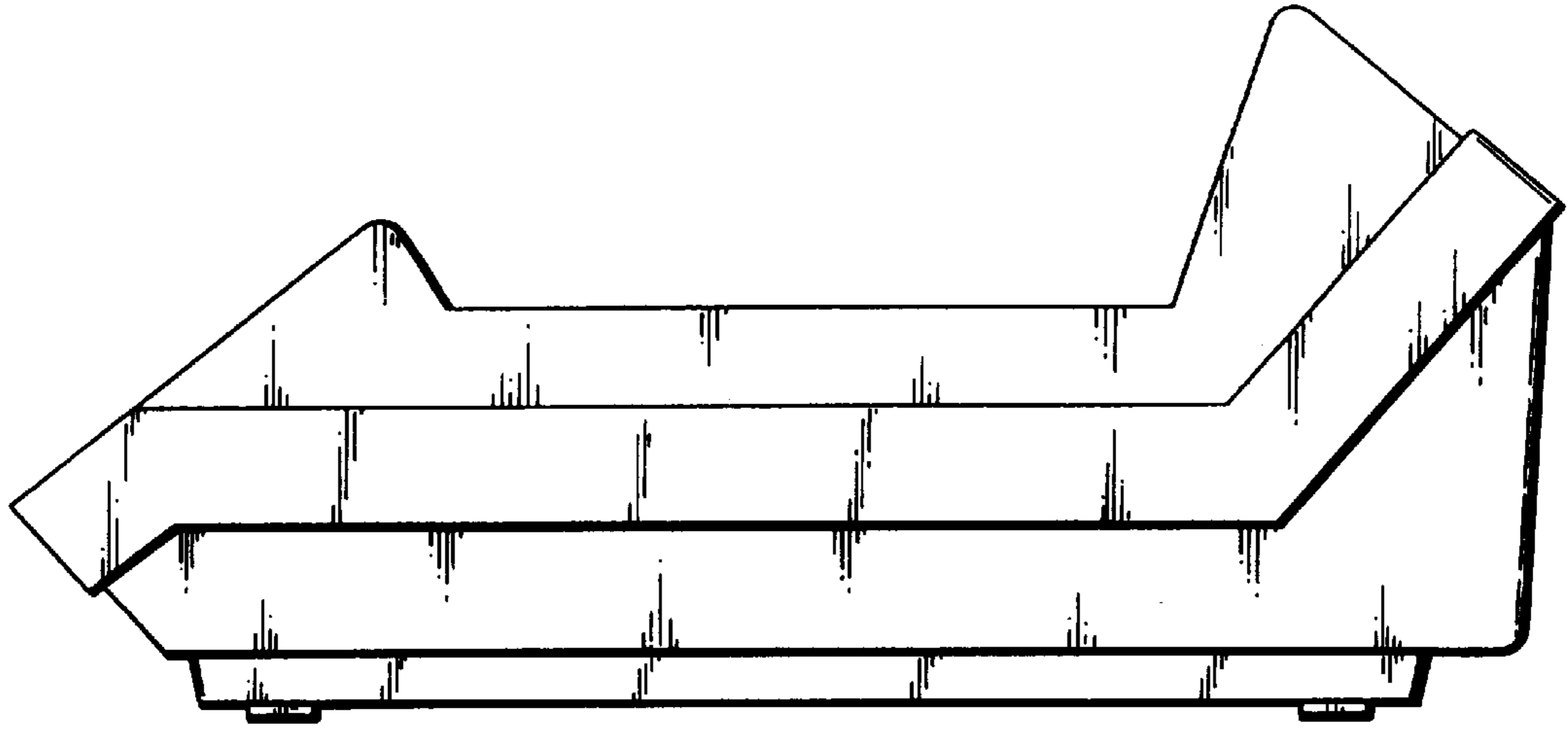
**Fig. 2**



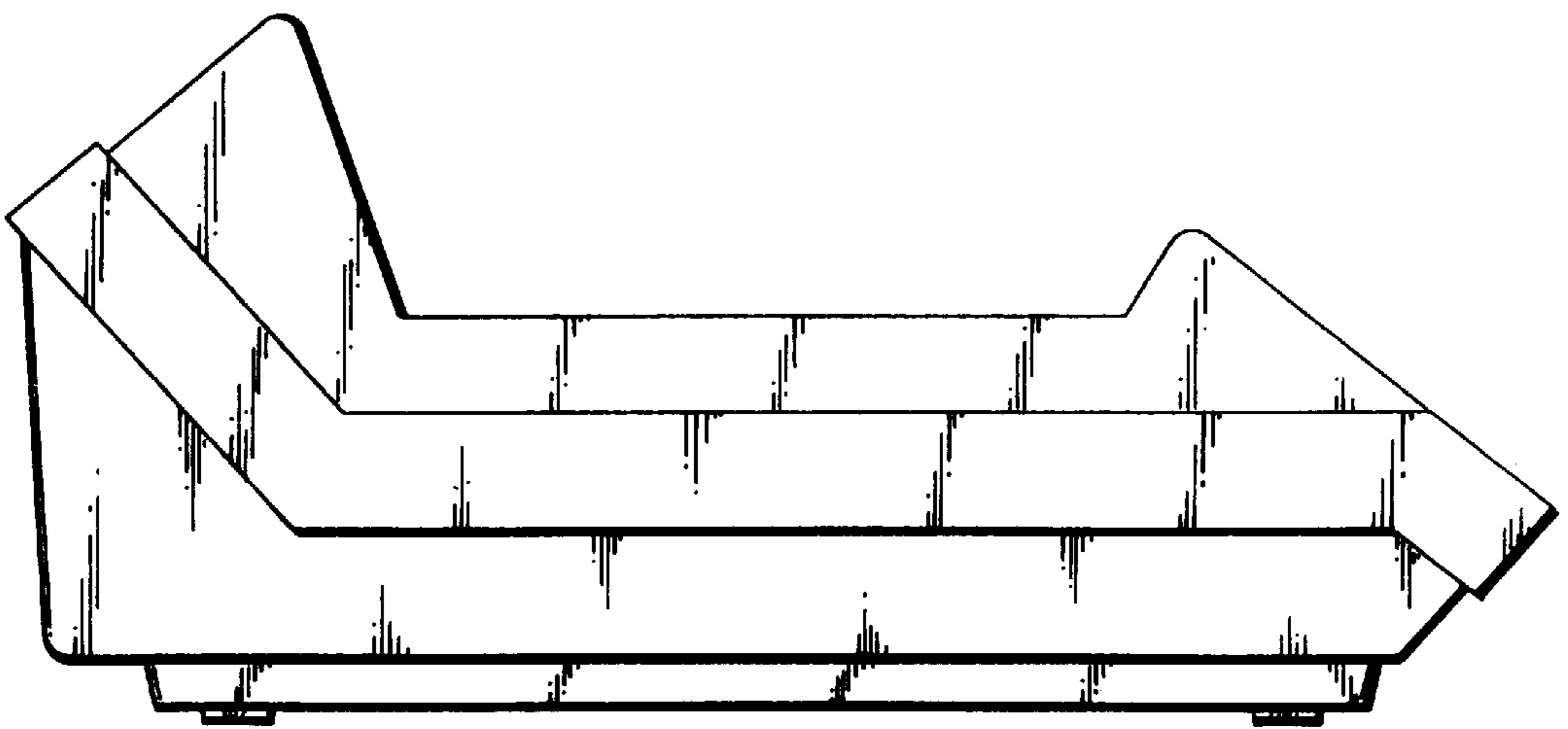
**Fig. 3**



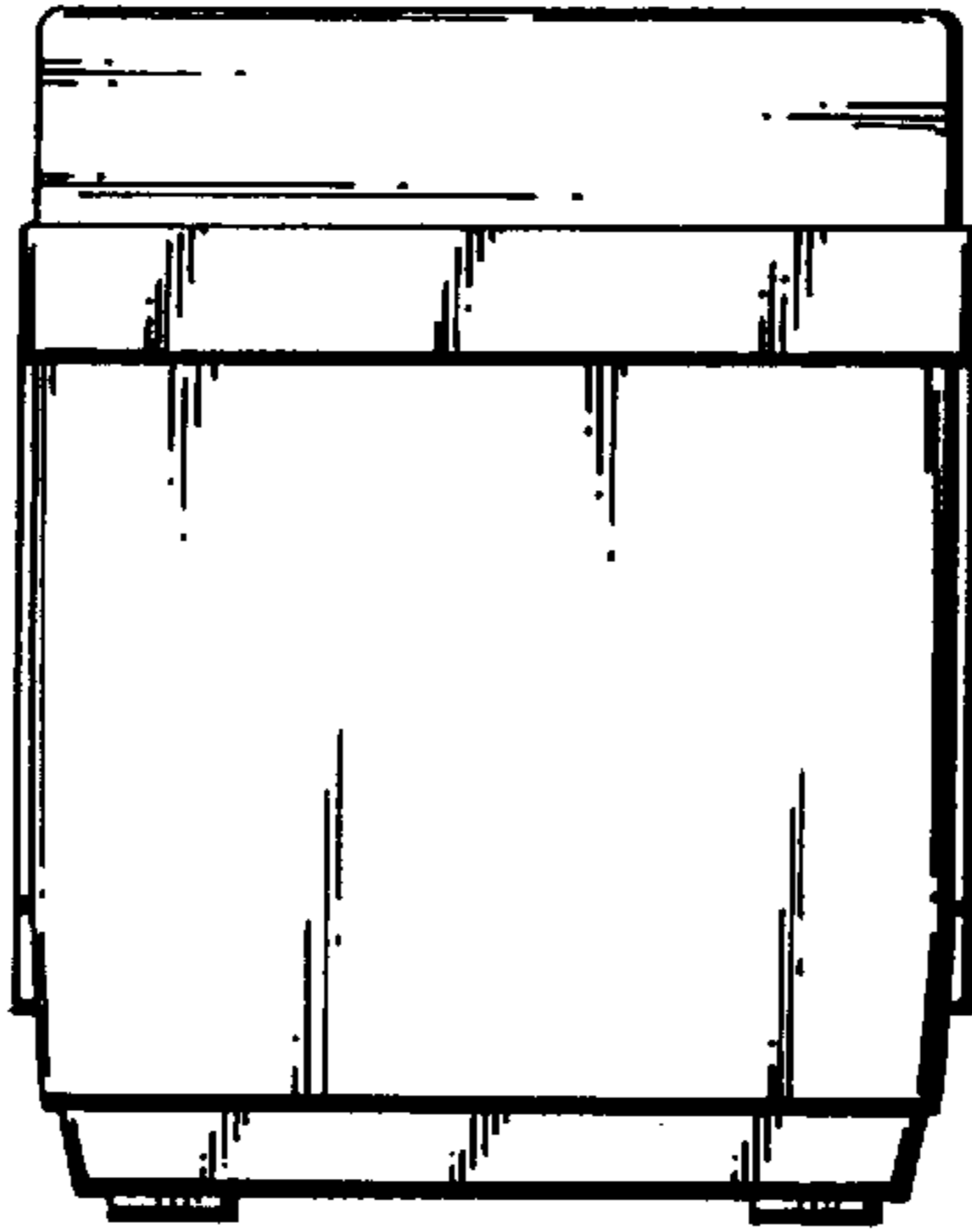
**Fig. 4**



**Fig. 5**



**Fig. 6**



**Fig. 7**

