



US00D420610S

# United States Patent [19] Pinchuk

[11] **Patent Number: Des. 420,610**

[45] **Date of Patent: \*\* Feb. 15, 2000**

[54] **ELECTRONIC MOOD INDICATOR**

D. 342,912 1/1994 Rickey ..... D10/104  
D. 348,850 7/1994 Chen et al. .... D10/104

[75] Inventor: **Rene C. Pinchuk**, Kensington, Calif.

*Primary Examiner*—Marcus A. Jackson

[73] Assignee: **The Sharper Image**, San Francisco, Calif.

[57] **CLAIM**

[\*\*] Term: **14 Years**

The ornamental design for an electronic mood indicator, as shown.

[21] Appl. No.: **29/101,926**

**DESCRIPTION**

[22] Filed: **Mar. 12, 1999**

FIG. 1 is a front perspective view of an electronic mood indicator, showing my new design;

[51] **LOC (7) Cl.** ..... **10-05**

FIG. 2 is a rear perspective view thereof;

[52] **U.S. Cl.** ..... **D10/104**

FIG. 3 is a front elevation view thereof;

[58] **Field of Search** ..... D10/104, 106,  
D10/116, 121; 340/425.5, 438, 453, 454,  
457, 457.3, 463, 464, 473, 474

FIG. 4 is a side elevation view of one side thereof;

FIG. 5 is a rear elevation view thereof;

FIG. 6 is a side elevation view of the other side thereof;

FIG. 7 is a top plan view thereof; and,

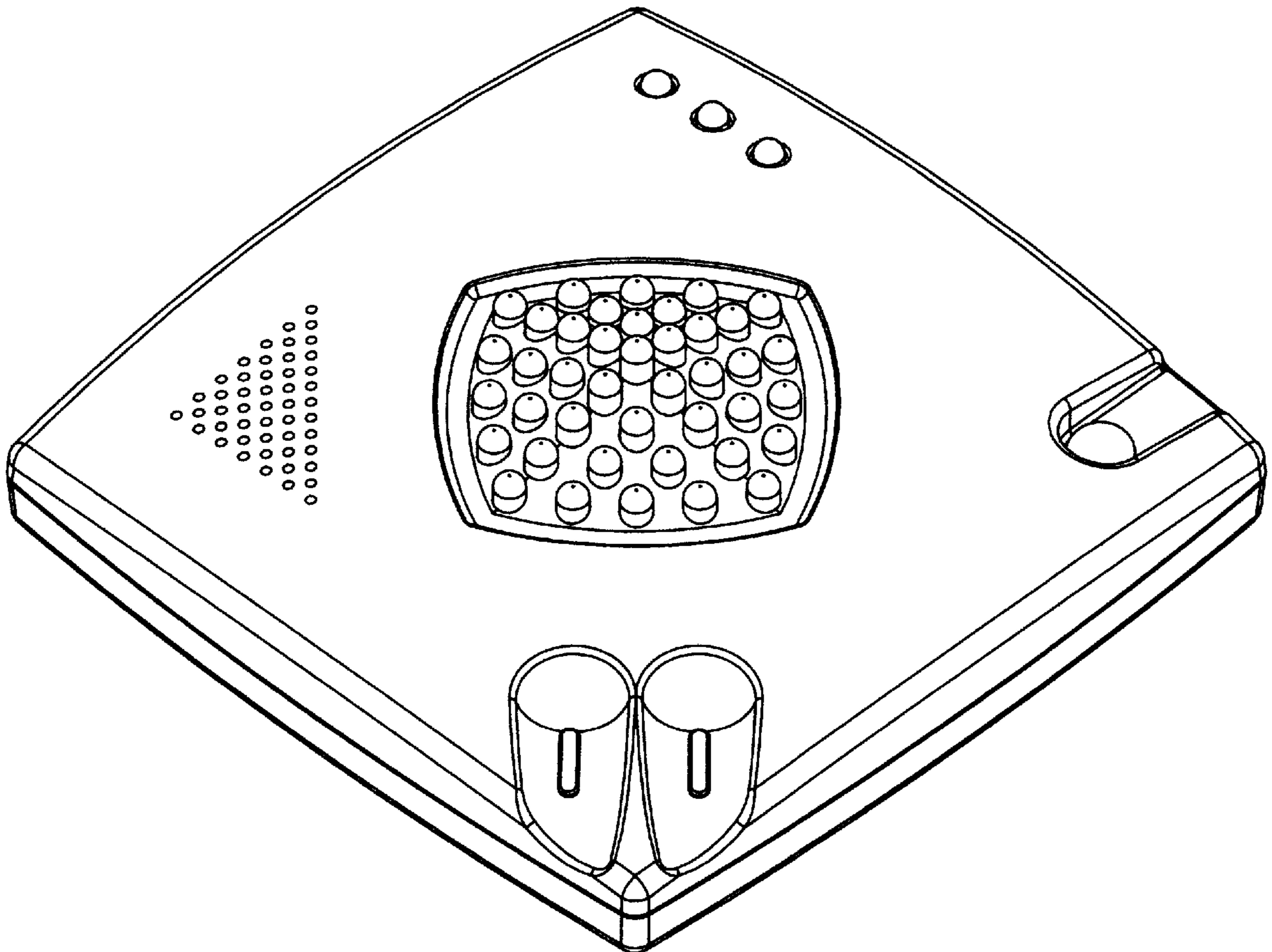
FIG. 8 is a bottom plan view thereof.

[56] **References Cited**

U.S. PATENT DOCUMENTS

D. 331,373 12/1992 Becker ..... D10/104

**1 Claim, 8 Drawing Sheets**



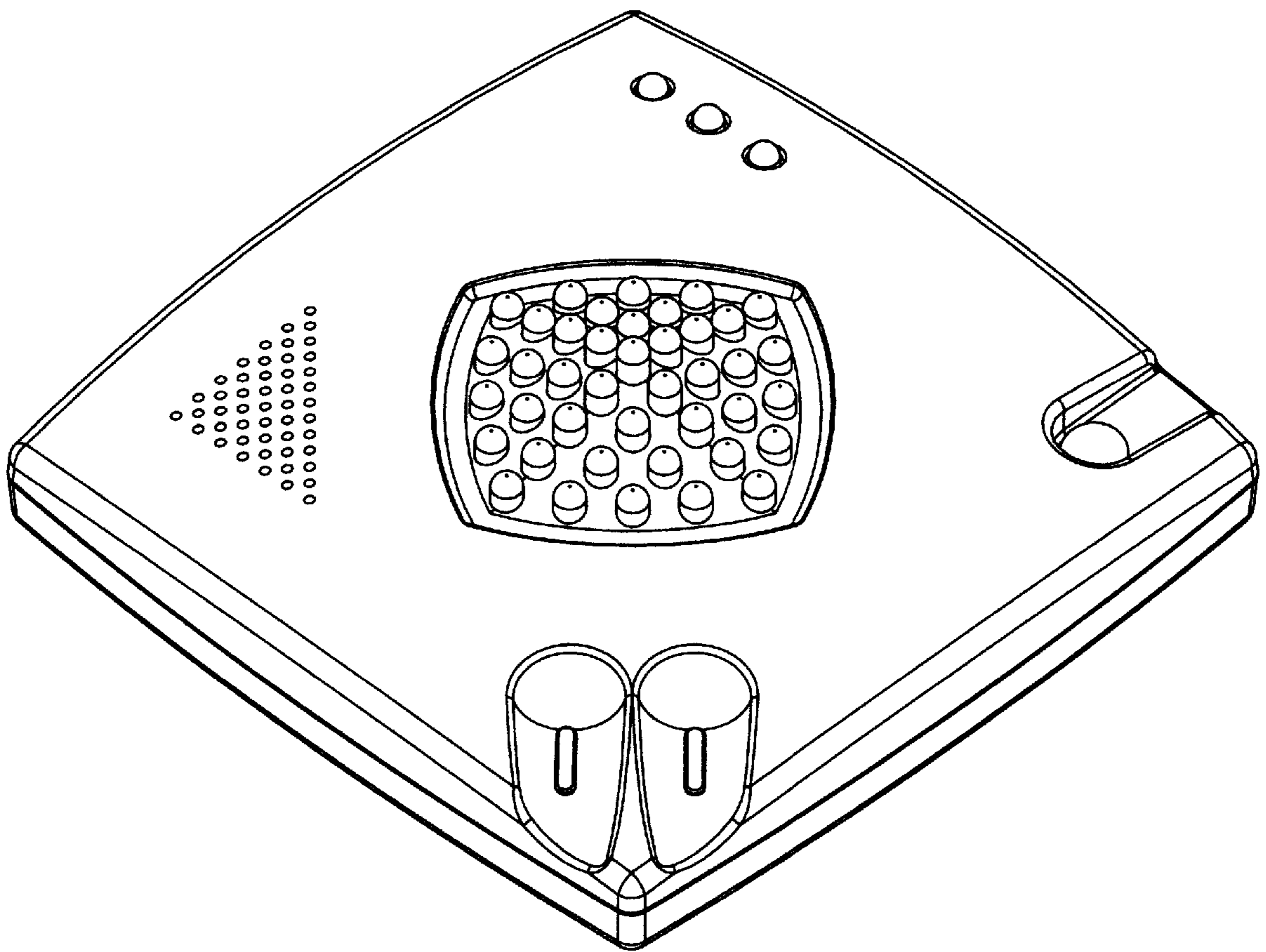


FIGURE 1

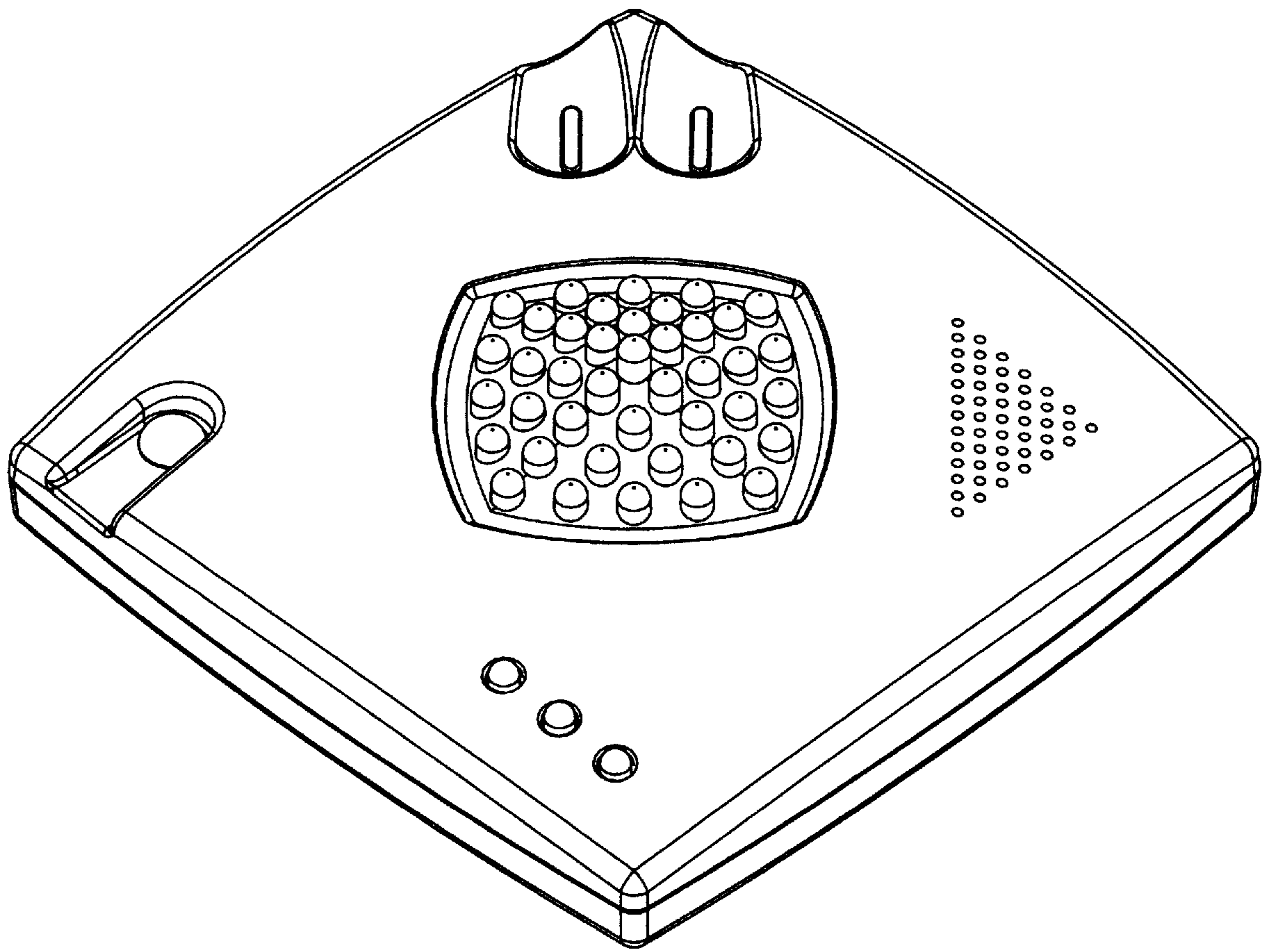


FIGURE 2

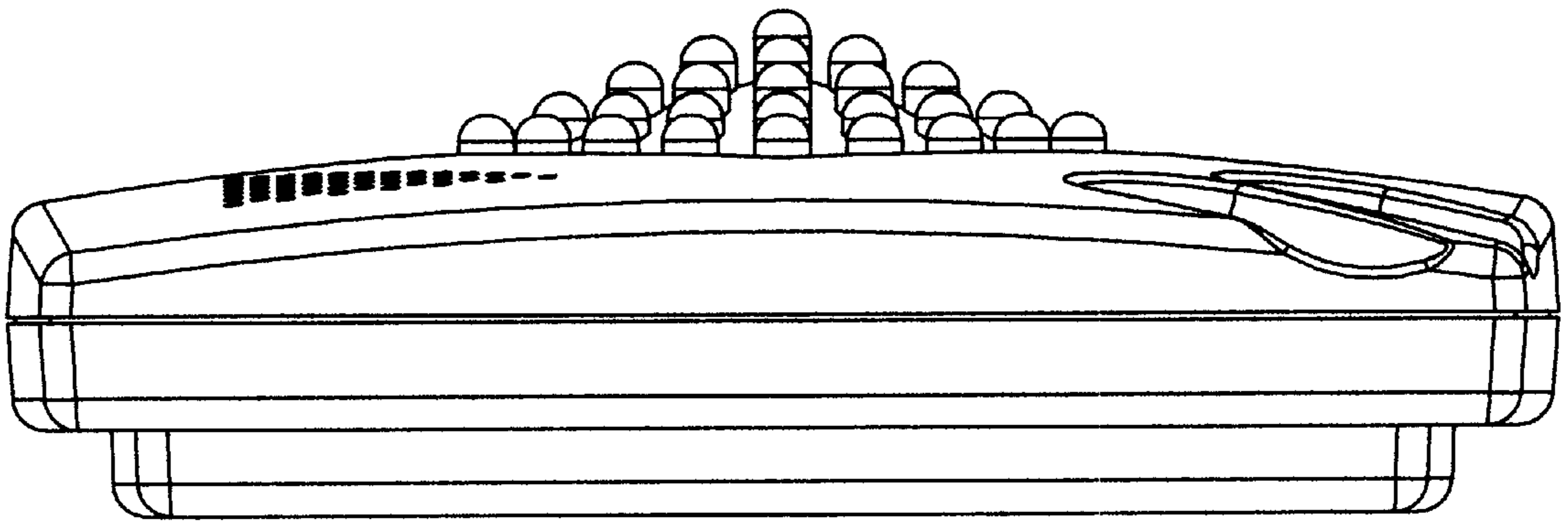


FIGURE 3

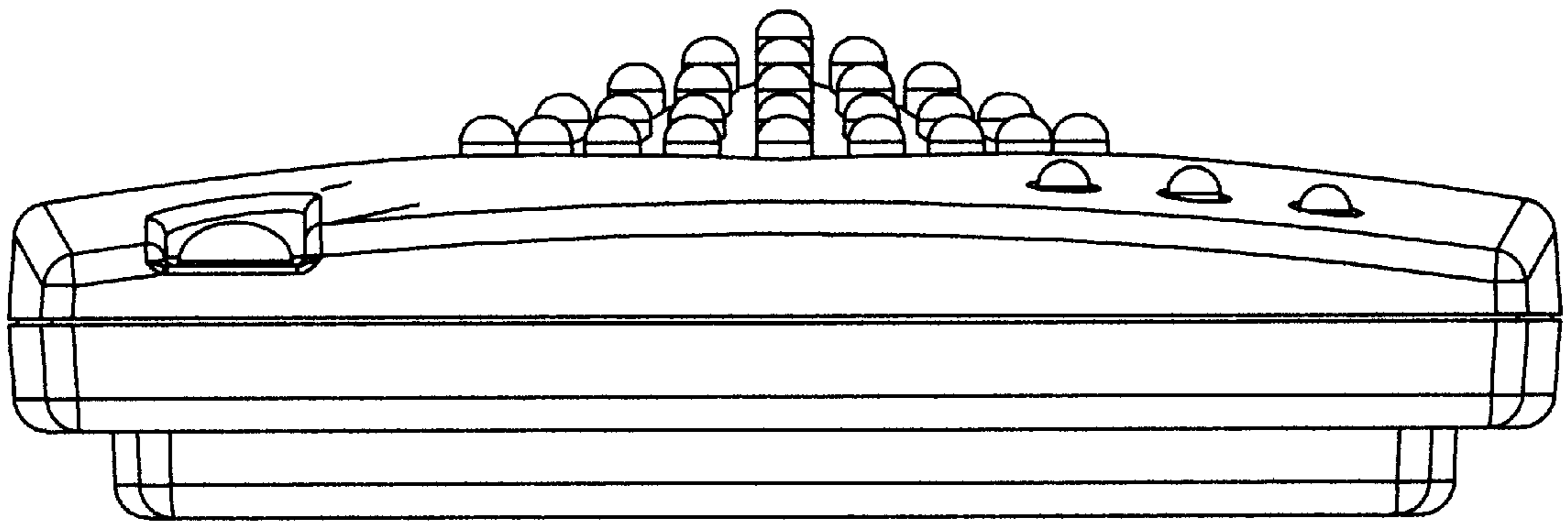


FIGURE 4

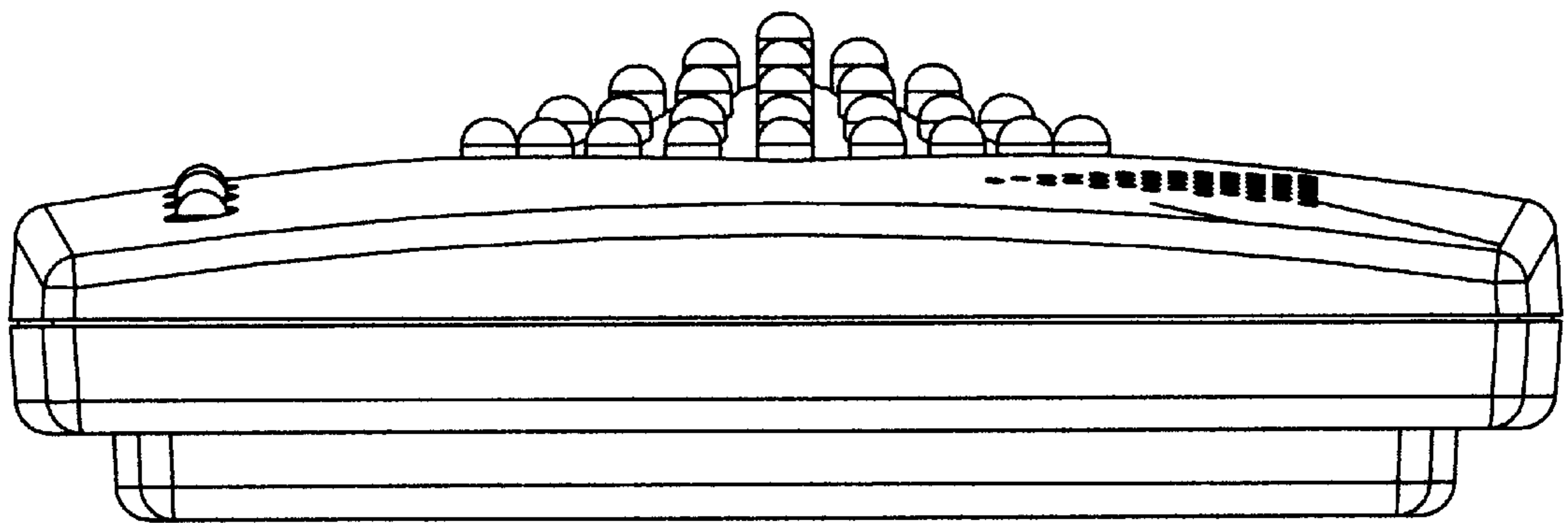


FIGURE 5

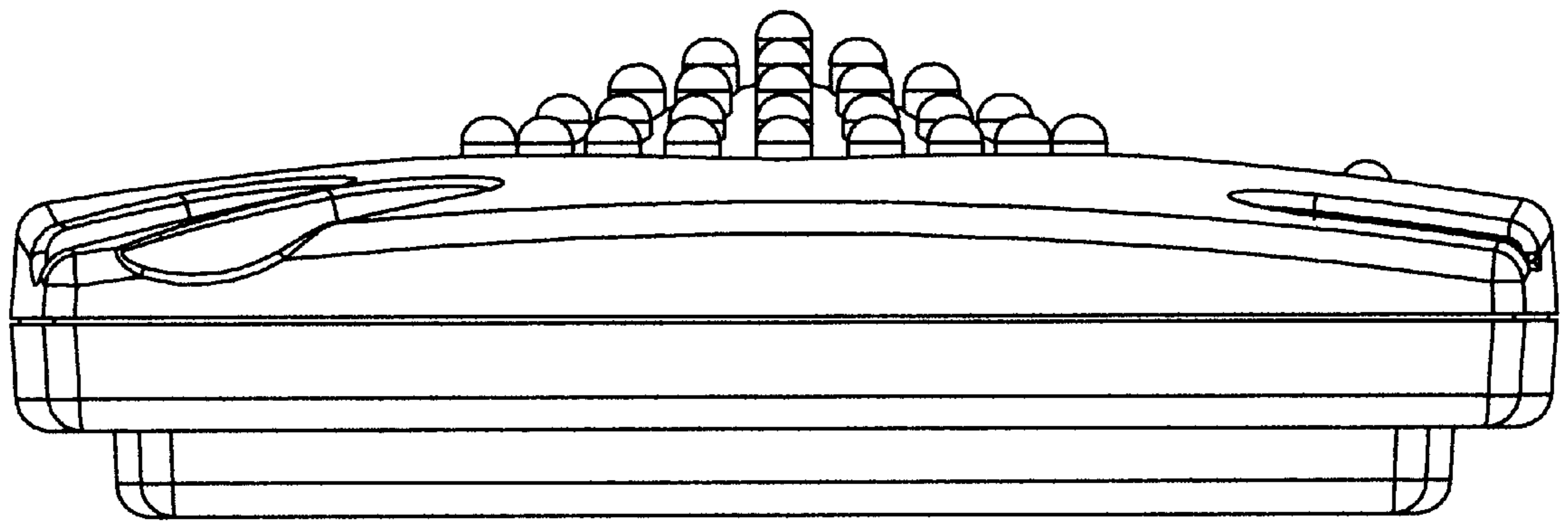


FIGURE 6

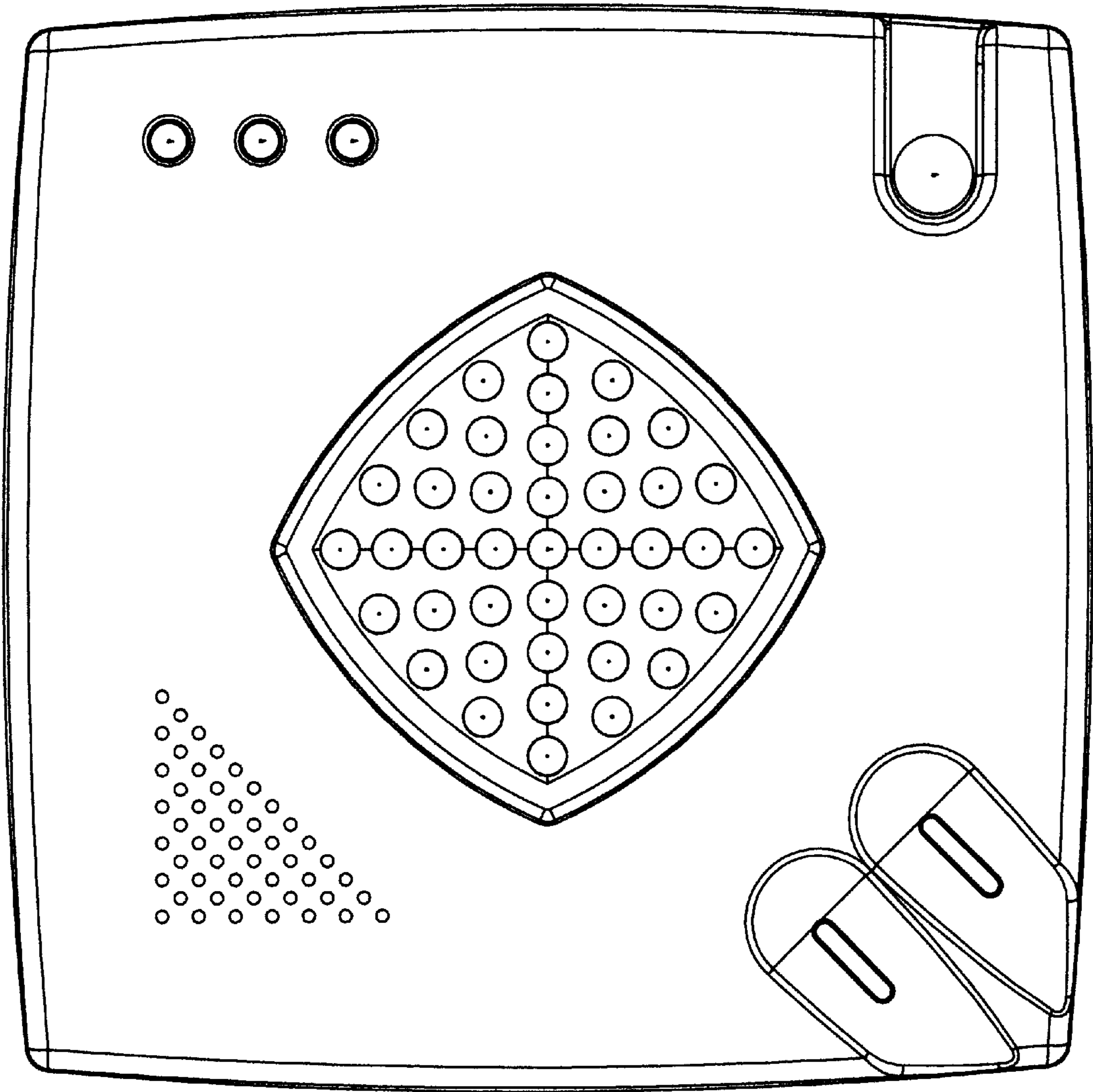


FIGURE 7



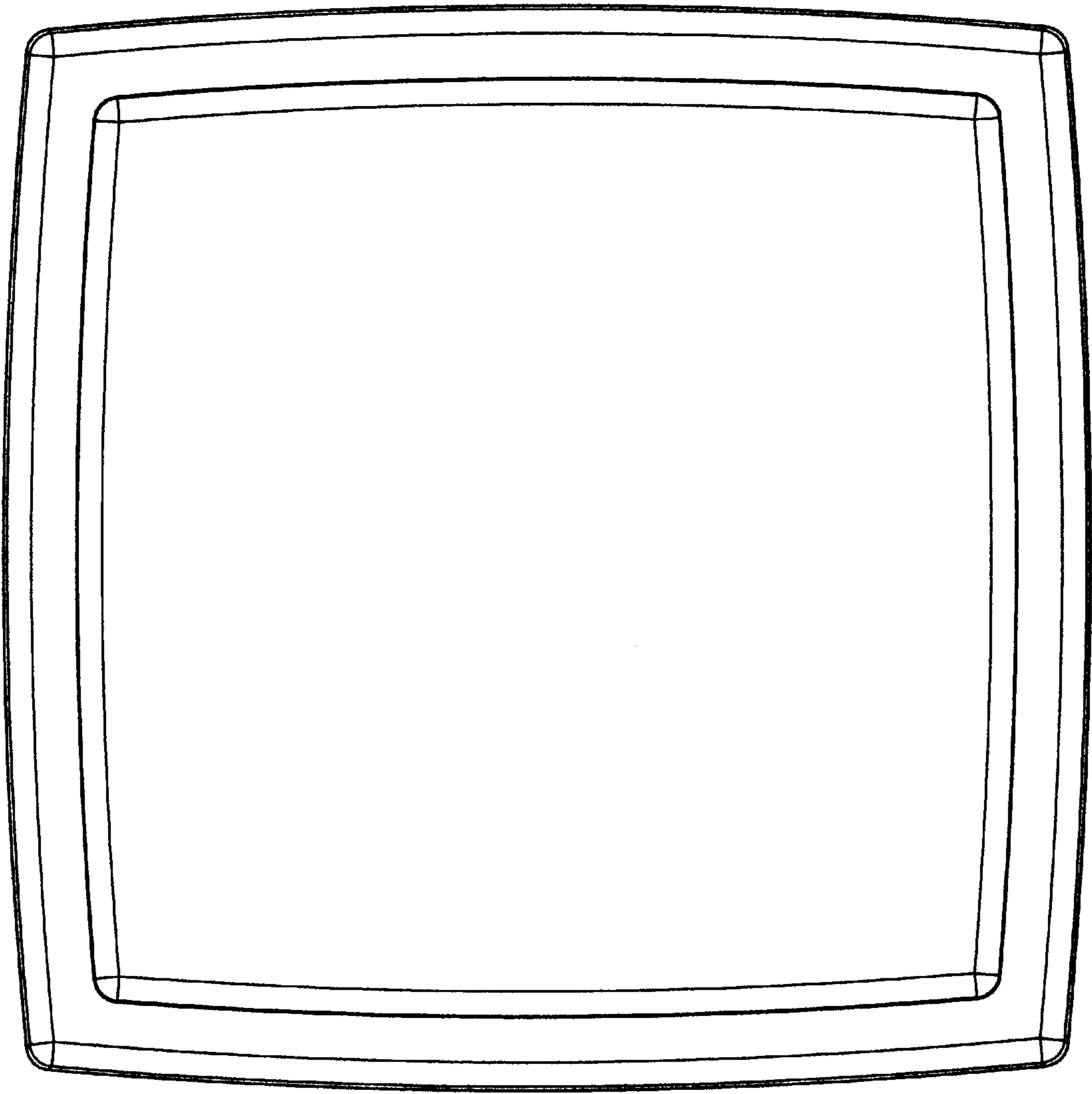


FIGURE 8