



US00D420608S

United States Patent [19]
Lee

[11] **Patent Number: Des. 420,608**

[45] **Date of Patent: ** Feb. 15, 2000**

[54] **ELECTRONIC WEIGHT SCALE**

4,700,791 10/1987 Iwasaki et al. D10/91 X

[76] Inventor: **Wu-Hsiung Lee**, No. 53, Liao-Yang 4th St., Taichung City, Taiwan

Primary Examiner—Antoine Duval Davis
Attorney, Agent, or Firm—Vedder Price Kaufman & Kammholz

[**] Term: **14 Years**

[57] **CLAIM**

[21] Appl. No.: **29/099,399**

The ornamental design for an electronic weight scale, as shown and described.

[22] Filed: **Jan. 20, 1999**

[51] **LOC (7) Cl.** **10-04**

[52] **U.S. Cl.** **D10/91**

[58] **Field of Search** D10/91; 177/1-9, 177/25.11, 25.19, 245; 364/405, 464.01

DESCRIPTION

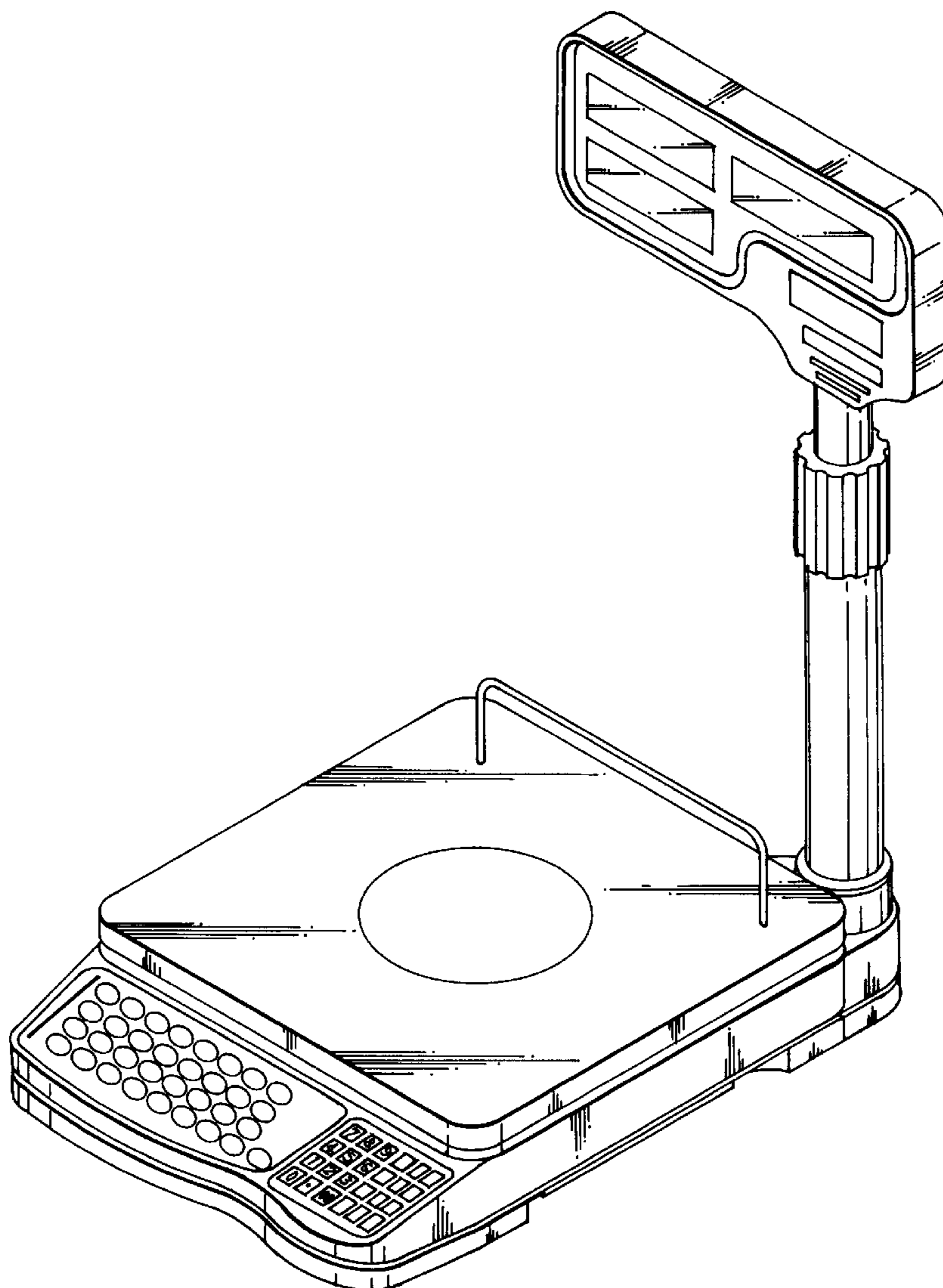
[56] **References Cited**

U.S. PATENT DOCUMENTS

- D. 254,427 3/1980 Perrier D10/91
- D. 366,001 1/1996 Mimoto D10/91
- D. 367,620 3/1996 Sassoli D10/91
- D. 371,311 7/1996 Mimoto D10/91

FIG. 1 is a perspective view of electronic weight scale showing my new design;
FIG. 2 is a front elevational view thereof;
FIG. 3 is a rear elevational view thereof;
FIG. 4 is a left side elevational view thereof;
FIG. 5 is a right side elevational view thereof;
FIG. 6 is a top plan view thereof; and,
FIG. 7 is a bottom plan view thereof.

1 Claim, 7 Drawing Sheets



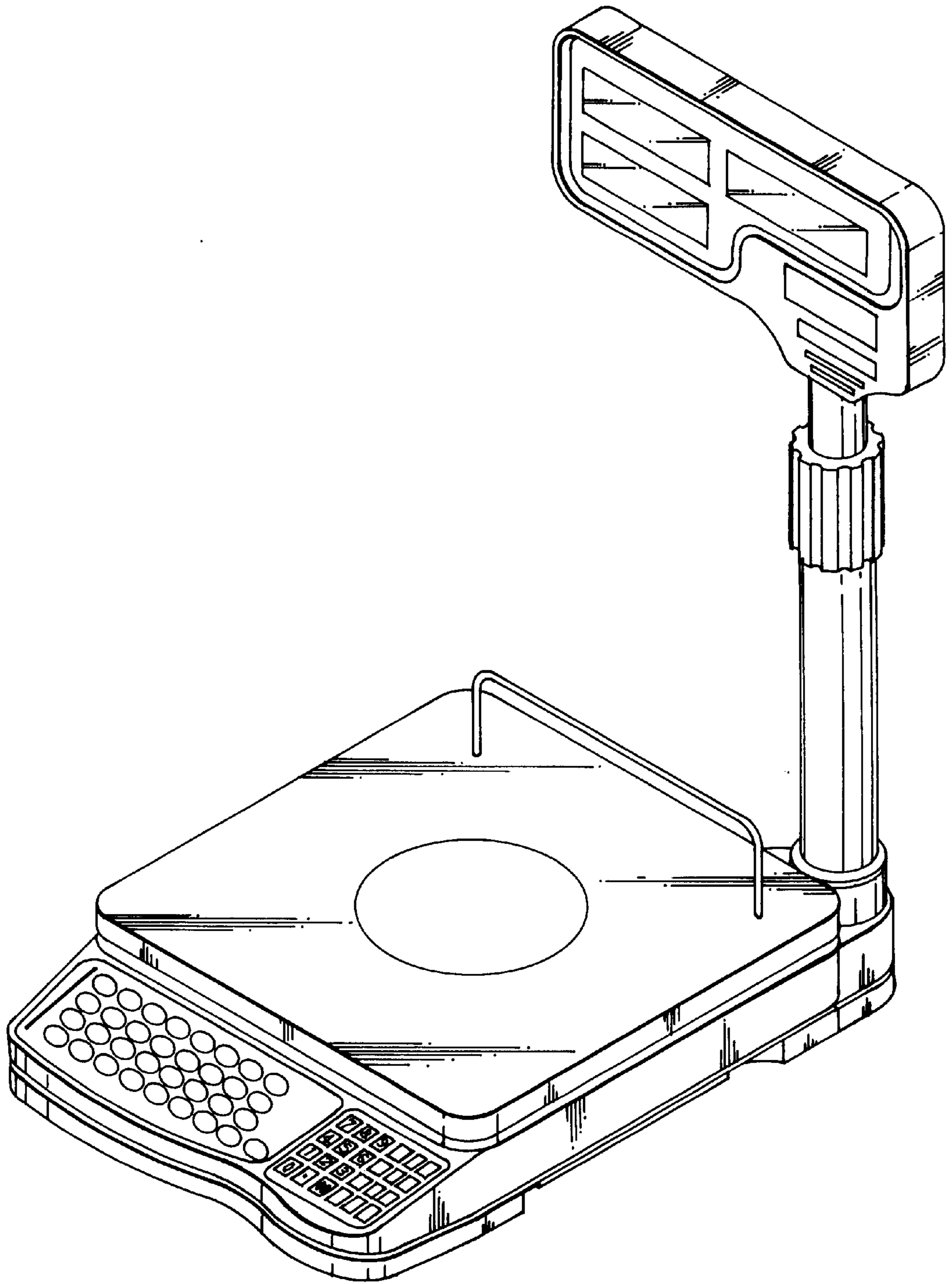


FIG. 1

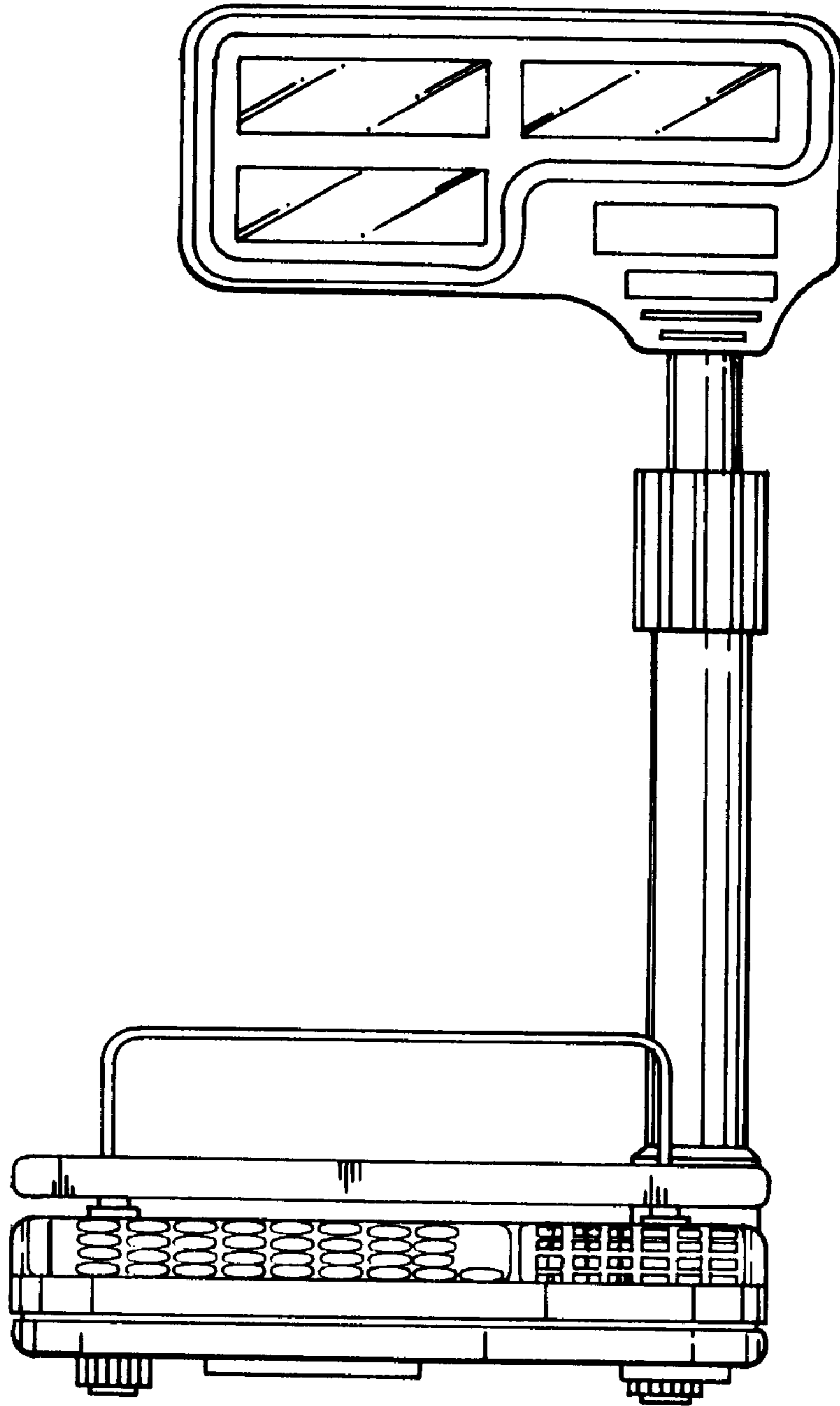


FIG. 2

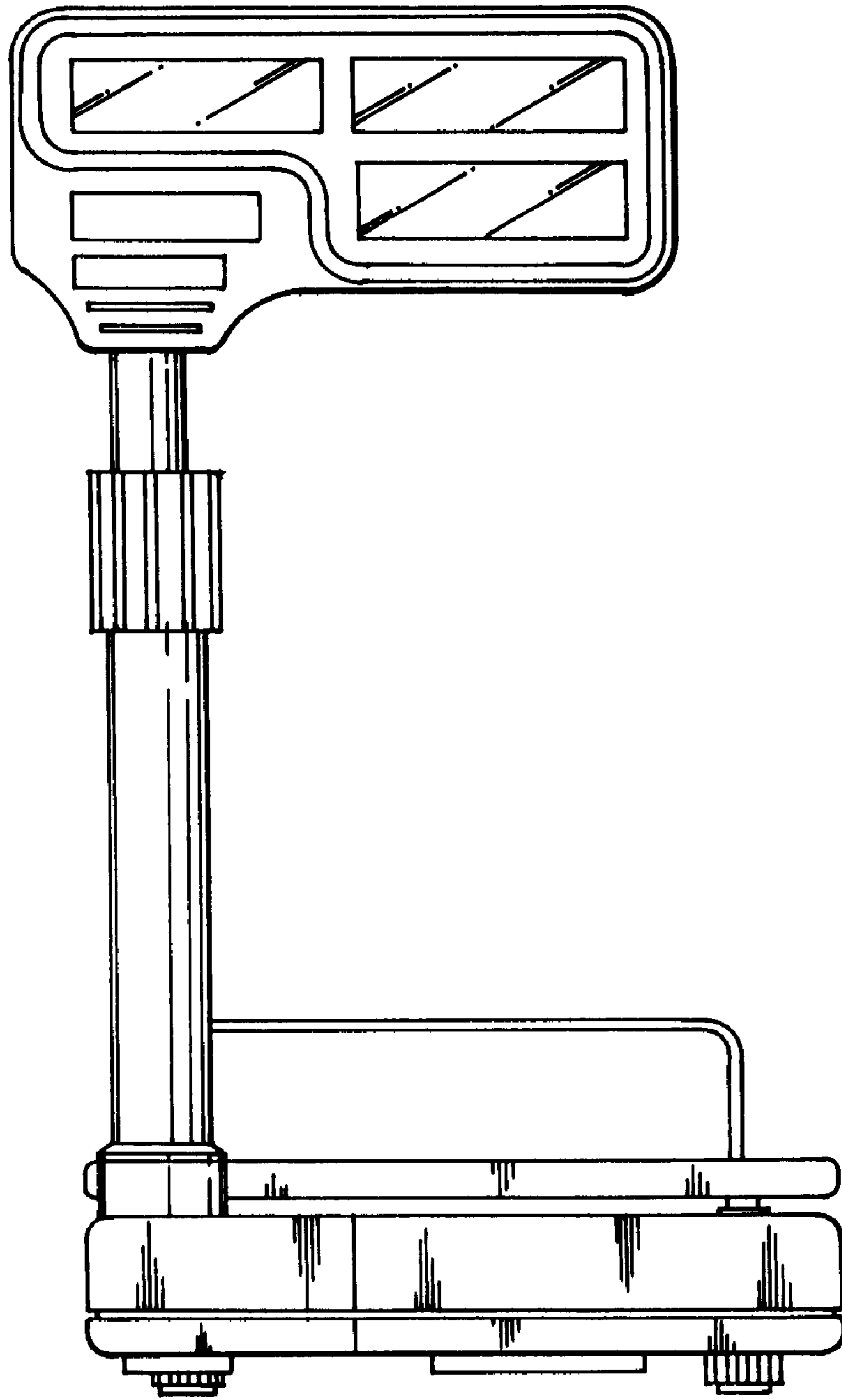


FIG. 3

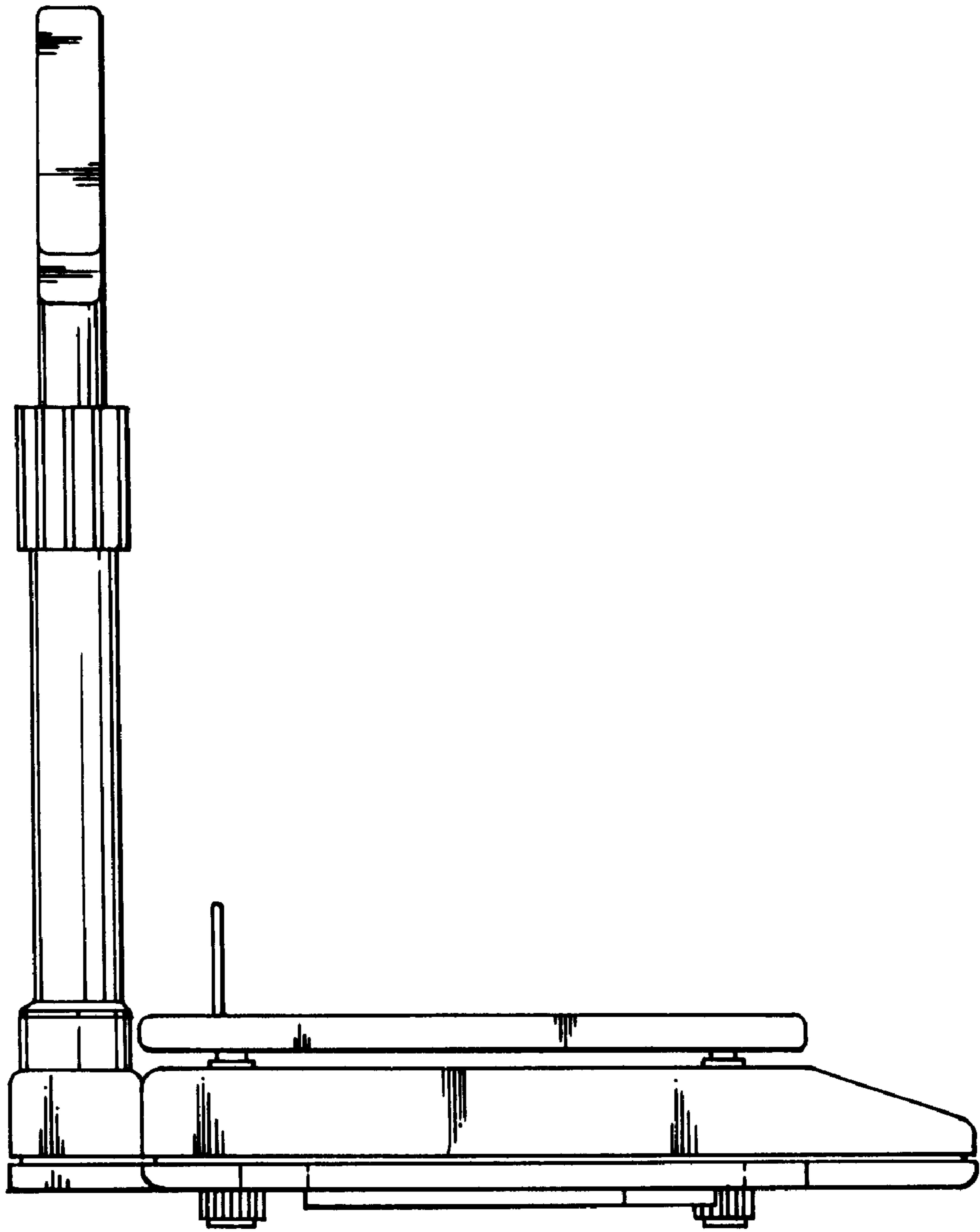


FIG. 4

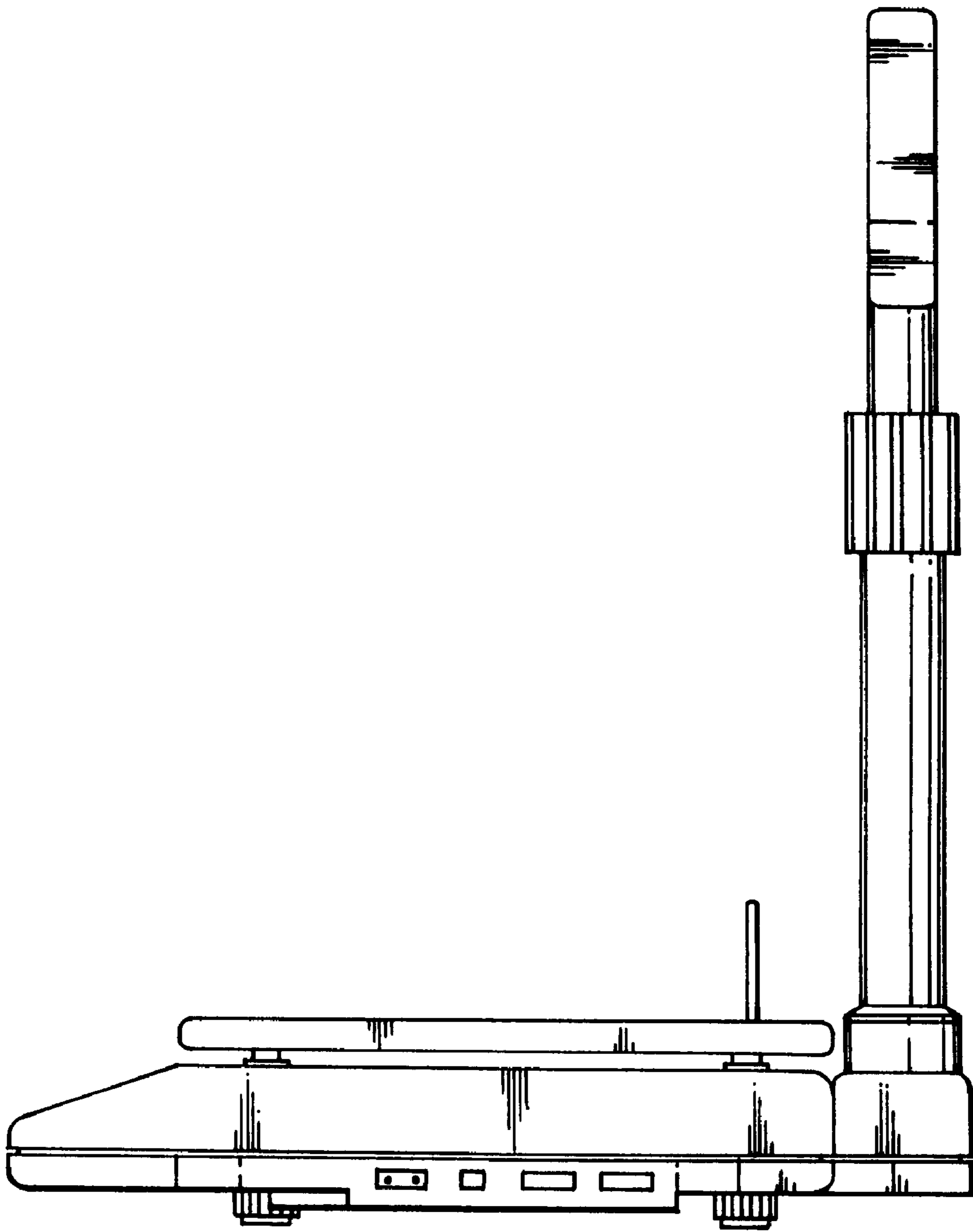


FIG. 5

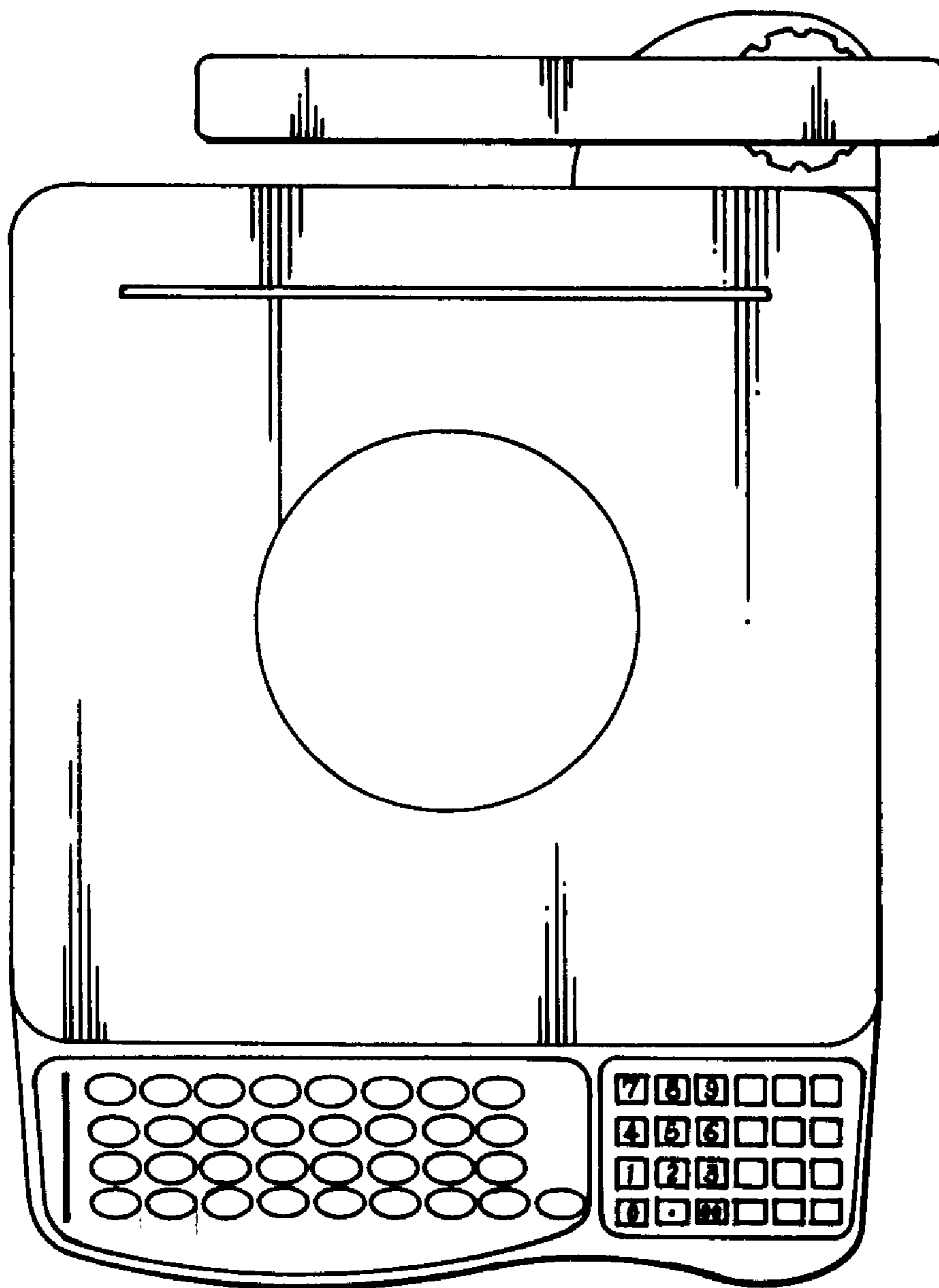


FIG. 6

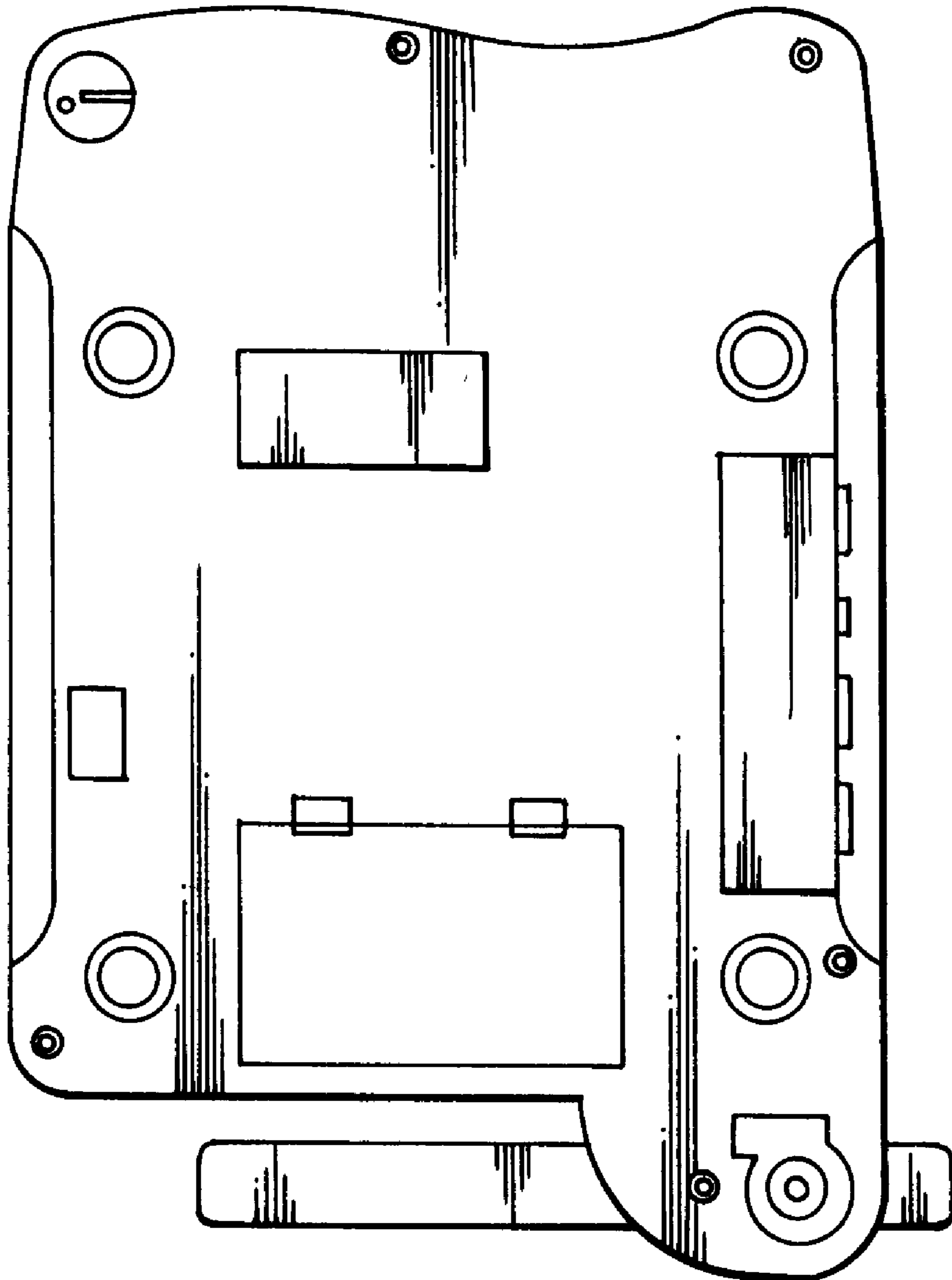


FIG. 7