



US00D420607S

United States Patent [19]

[11] Patent Number: **Des. 420,607**

Wrisley et al.

[45] Date of Patent: **** Feb. 15, 2000**

[54] FRONT PANEL FOR A MEASUREMENT INSTRUMENT

Primary Examiner—Antoine Duval Davis
Attorney, Agent, or Firm—William K. Bucher

[75] Inventors: **Jerry L. Wrisley**, Beaverton; **David T. Rosette**, Tigard; **Frederick A. Azinger**, Portland, all of Oreg.

[57] CLAIM

The ornamental design of a front panel for a measurement instrument, as shown and described.

[73] Assignee: **Tektronix, Inc.**, Oreg.

DESCRIPTION

[**] Term: **14 Years**

FIG. 1 is a perspective view of a front panel for a measurement instrument, the phantom lines not being a part of the invention;

[21] Appl. No.: **29/103,203**

FIG. 2 is a front elevation view of the front panel for a measurement instrument;

[22] Filed: **Apr. 9, 1999**

FIG. 3 is a top plan view of the front panel for a measurement instrument;

[51] **LOC (7) Cl.** **10-04**

[52] **U.S. Cl.** **D10/80; D10/103; D10/125**

FIG. 4 is a bottom plan view of the front panel for a measurement instrument;

[58] **Field of Search** D10/80, 103, 122, D10/125; 324/115, 114, 131, 132, 116, 156; 116/334, DIG. 47

FIG. 5 is a left side elevation view of the front panel for a measurement instrument; and,

[56] References Cited

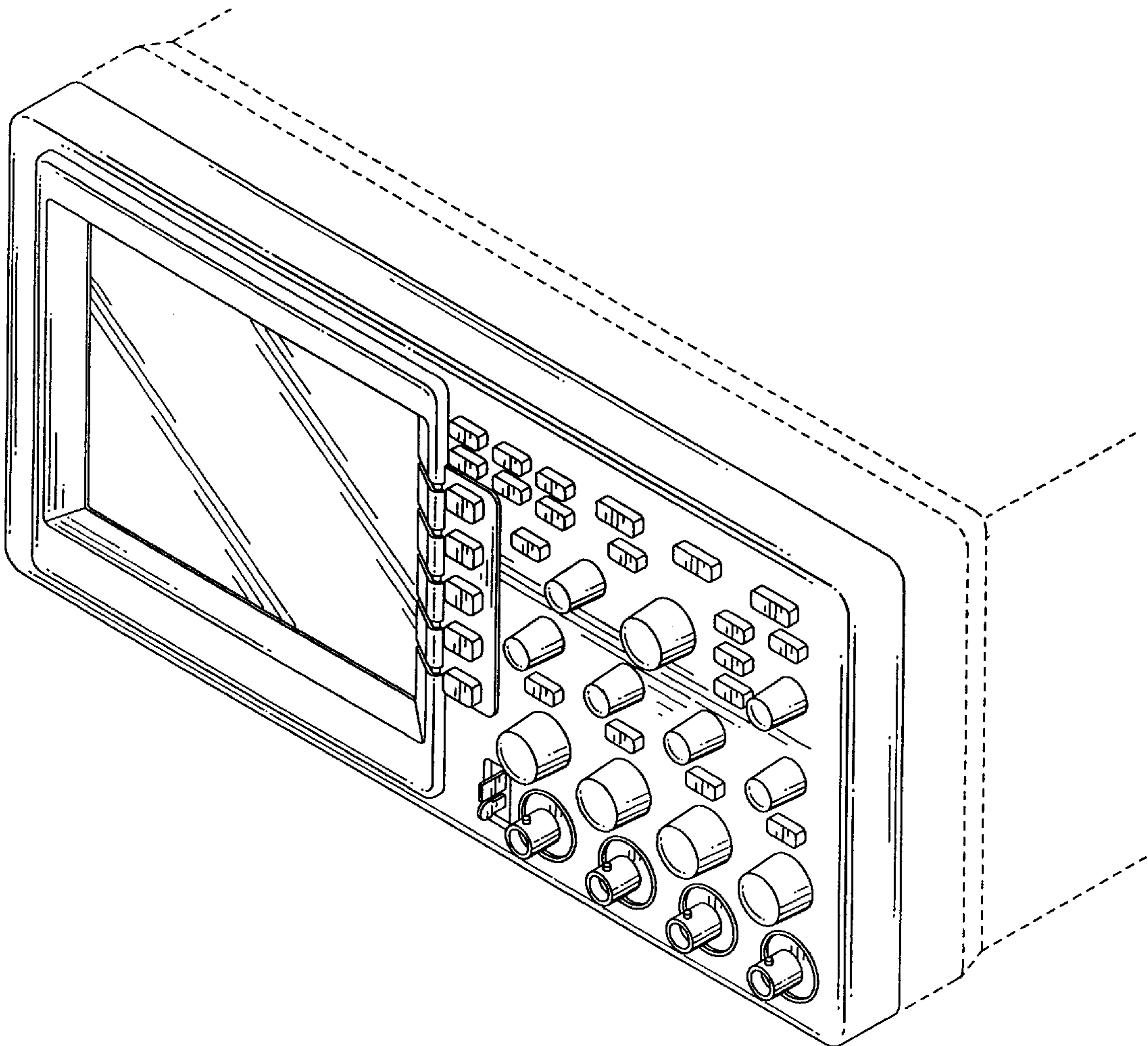
U.S. PATENT DOCUMENTS

D. 209,825	1/1968	Smith	D10/103
D. 210,022	1/1968	Gersin	D10/103
D. 263,207	3/1982	Bickley et al.	D10/80

FIG. 6 is a right side elevation view of the front panel for a measurement instrument.

The broken line showing of a measurement instrument is for illustrative purposes only and forms no part of the claimed design.

1 Claim, 2 Drawing Sheets



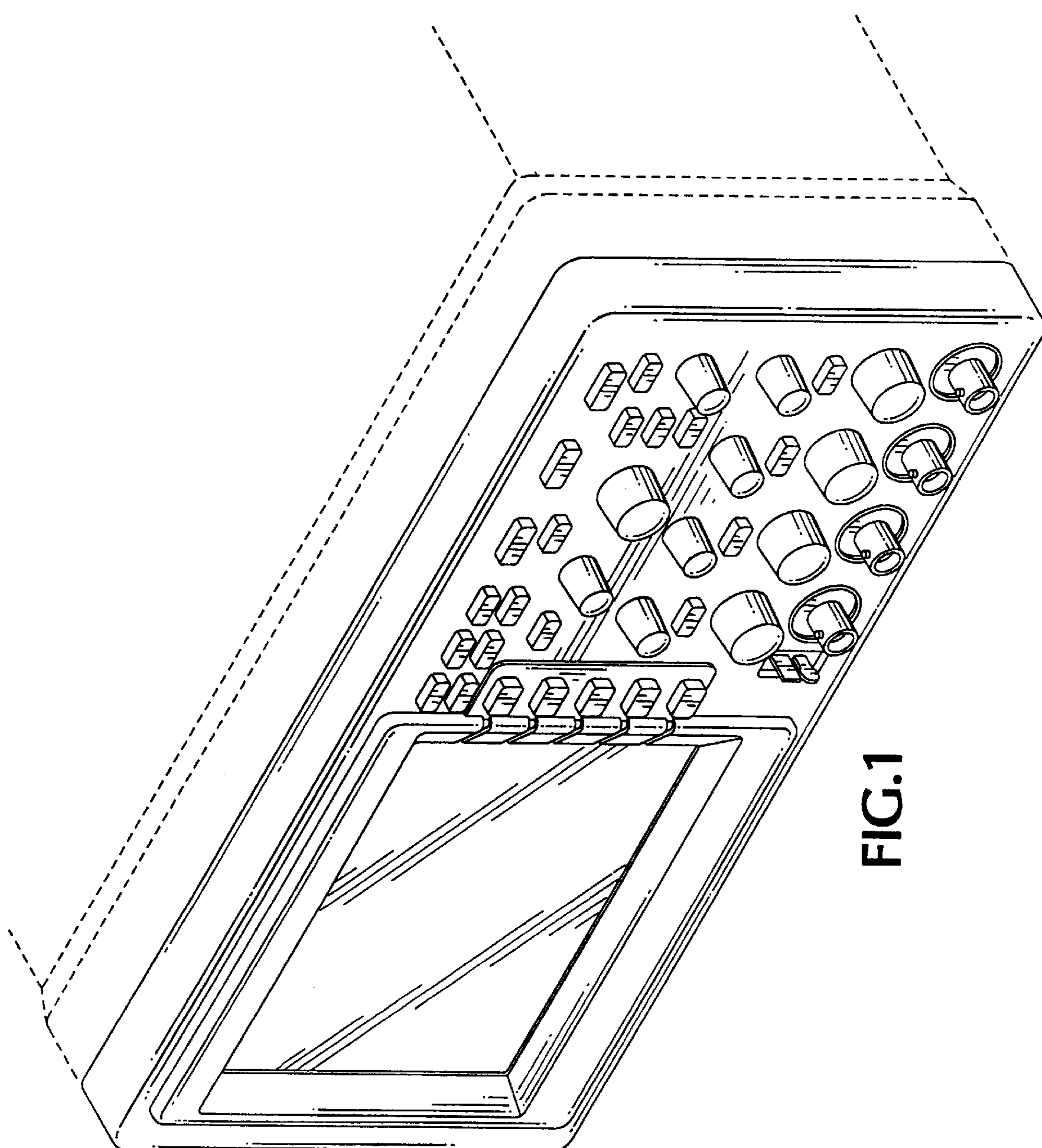


FIG.1

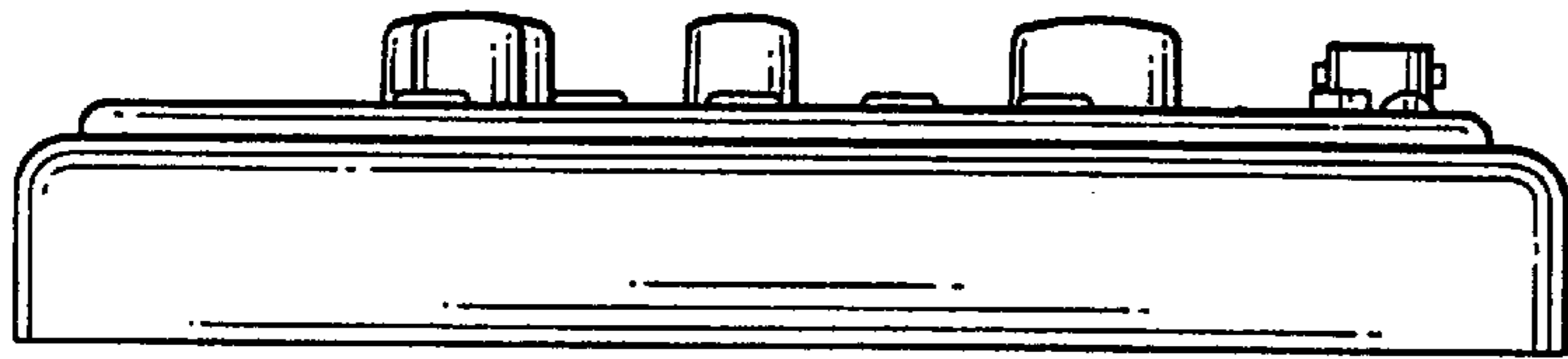


FIG.5

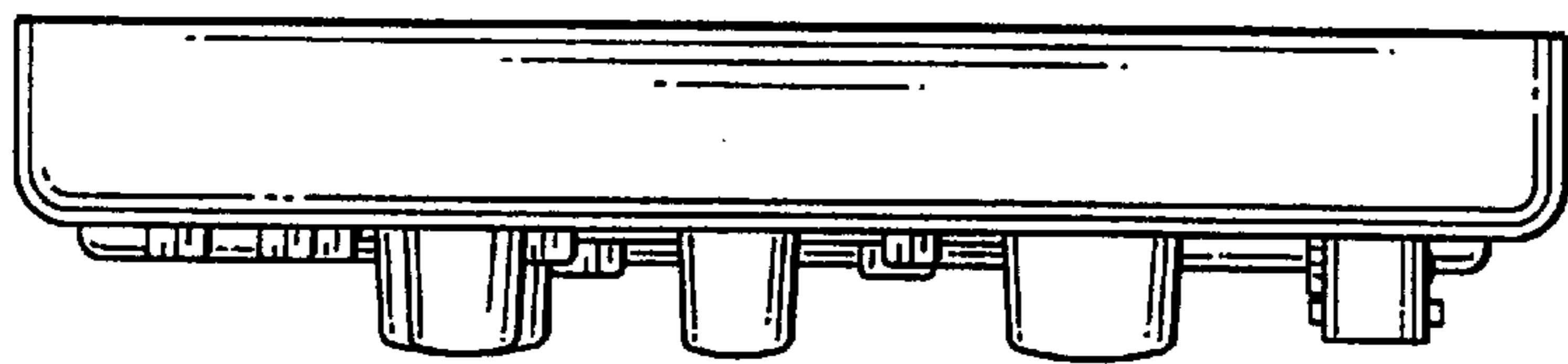


FIG.6

FIG.3

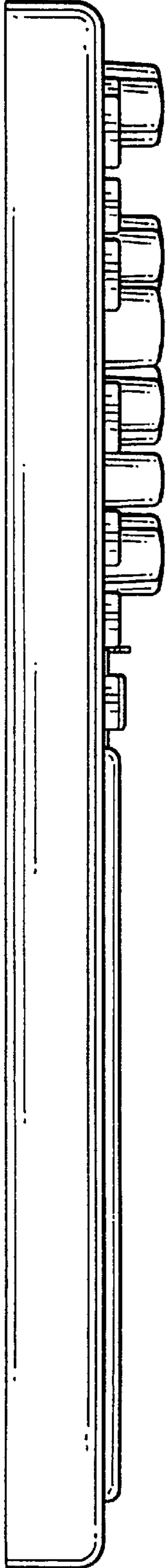


FIG.2

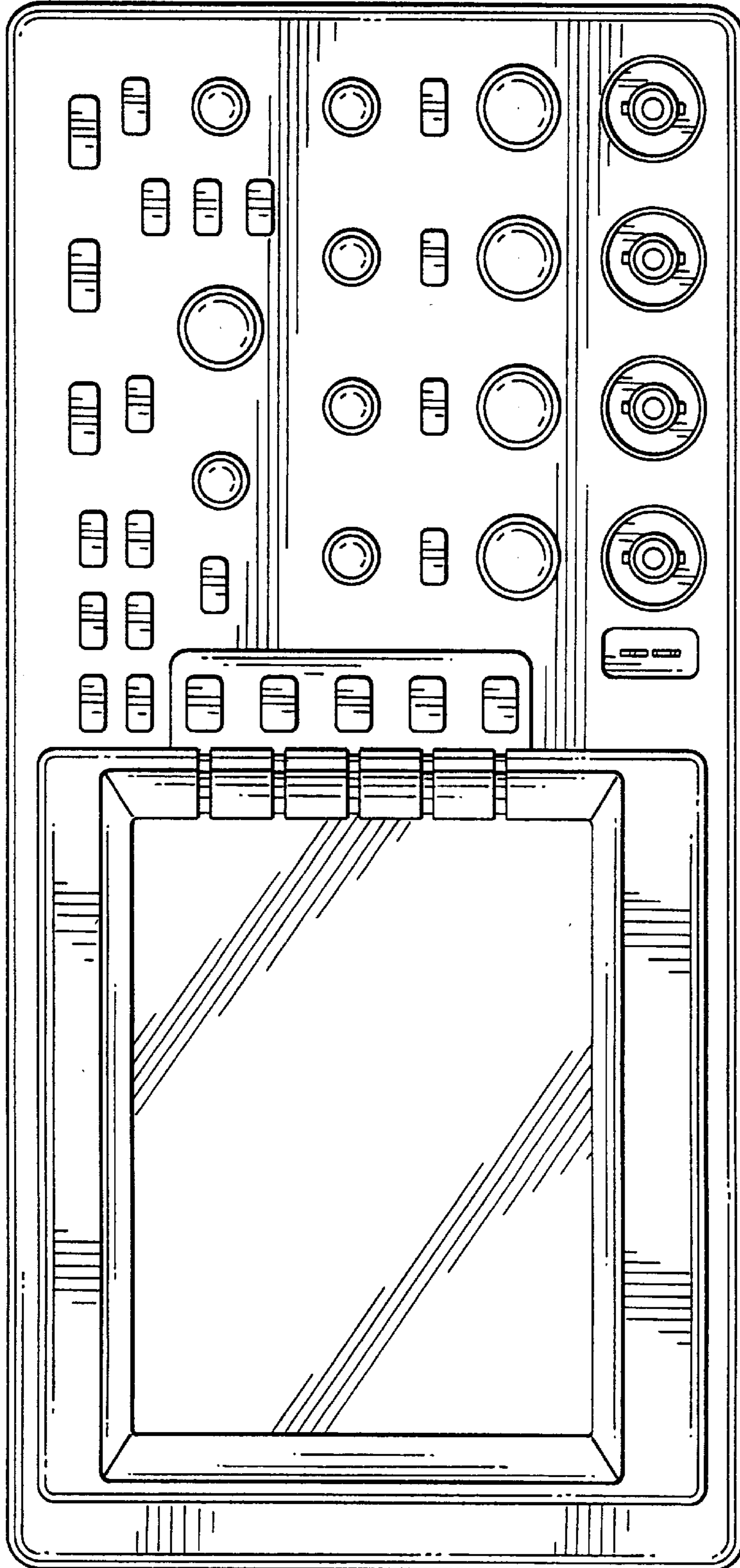


FIG.4

