



US00D420606S

United States Patent [19]

[11] **Patent Number: Des. 420,606**

Hsu

[45] **Date of Patent: ** Feb. 15, 2000**

[54] **MEASURE TAPE**

Primary Examiner—Antoine Duval Davis
Attorney, Agent, or Firm—Rosenberg, Klein & Lee

[76] **Inventor: Cheng-Hui Hsu**, No. 126, Pad Chung Road, Hsin Tien City, Taipei Hsien, Taiwan

[57] **CLAIM**

[**] **Term: 14 Years**

The ornamental design for a measure tape, as shown and described.

[21] **Appl. No.: 29/107,367**

DESCRIPTION

[22] **Filed: Jul. 7, 1999**

FIG. 1 is a perspective view of a measure tape showing my new design;

[51] **LOC (7) Cl. 10-04**

FIG. 2 is a front view thereof;

[52] **U.S. Cl. D10/72**

FIG. 3 is a rear view thereof;

[58] **Field of Search D10/72; 33/755-771**

FIG. 4 is a left side view thereof;

FIG. 5 is a right side view thereof;

[56] **References Cited**

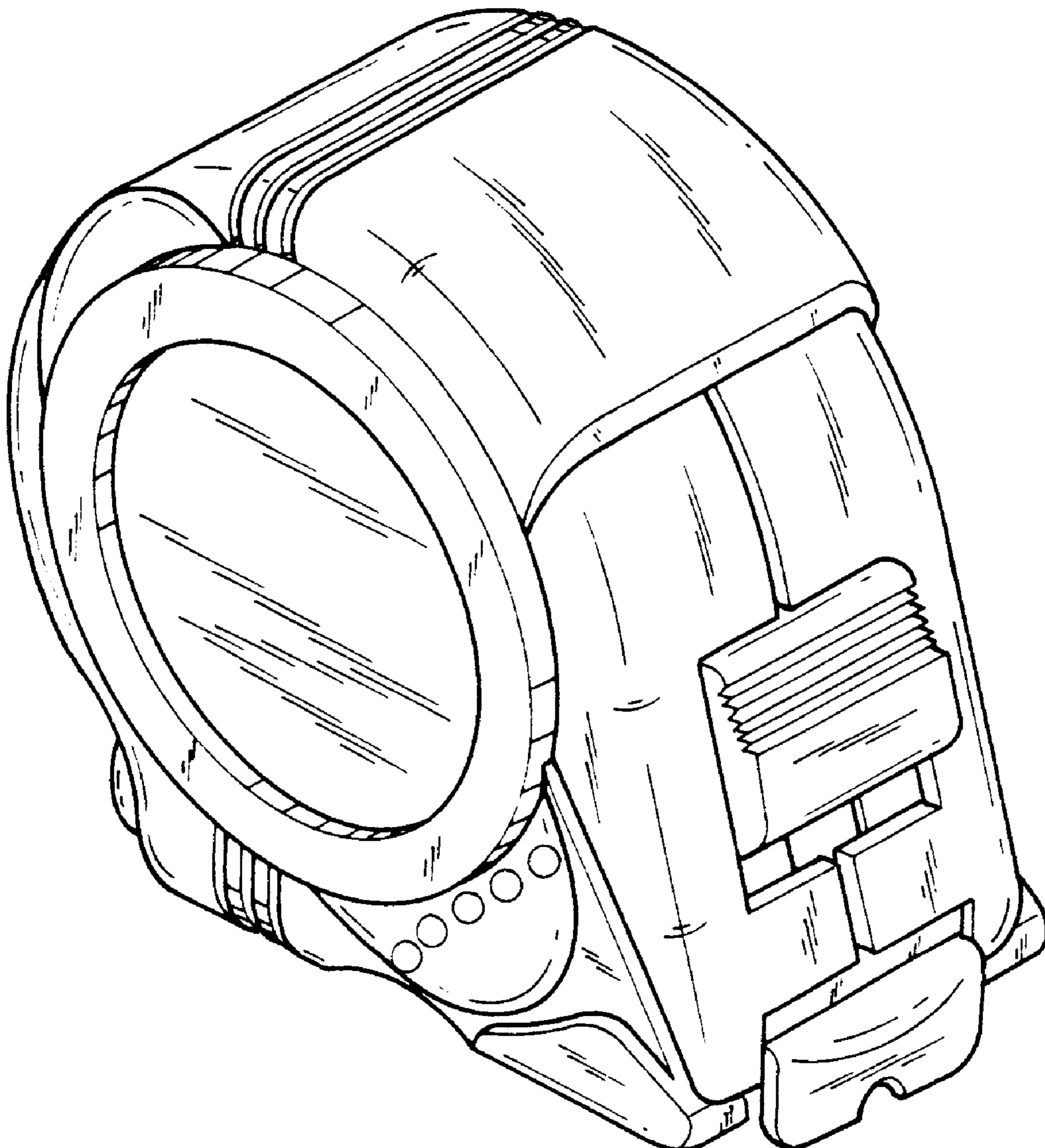
FIG. 6 is a top plan view thereof; and,

FIG. 7 is a bottom plan view thereof.

U.S. PATENT DOCUMENTS

D. 410,202 5/1999 Liu D10/72
5,820,057 10/1998 Decarolis et al. 33/761 X

1 Claim, 4 Drawing Sheets



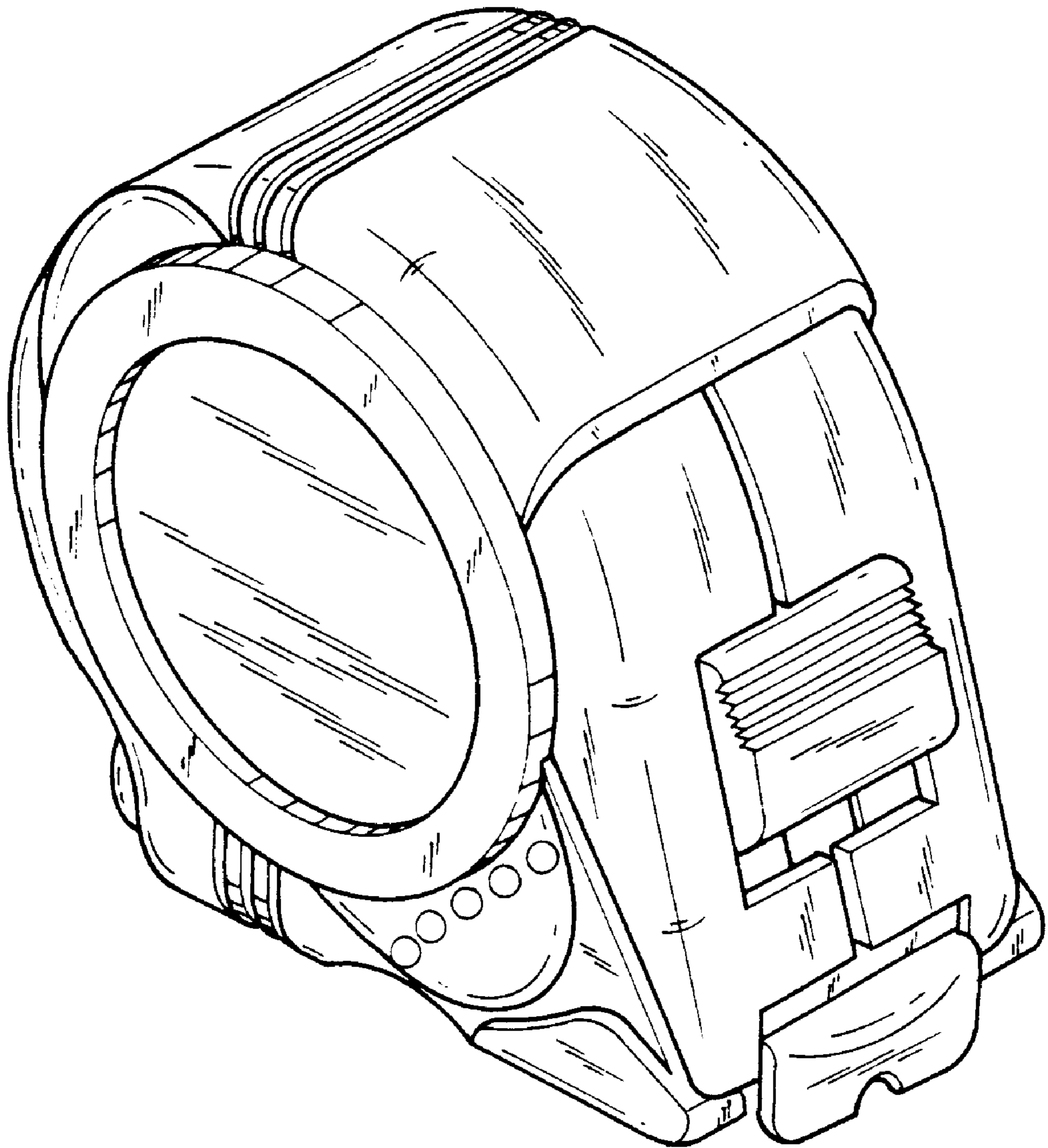


FIG. 1

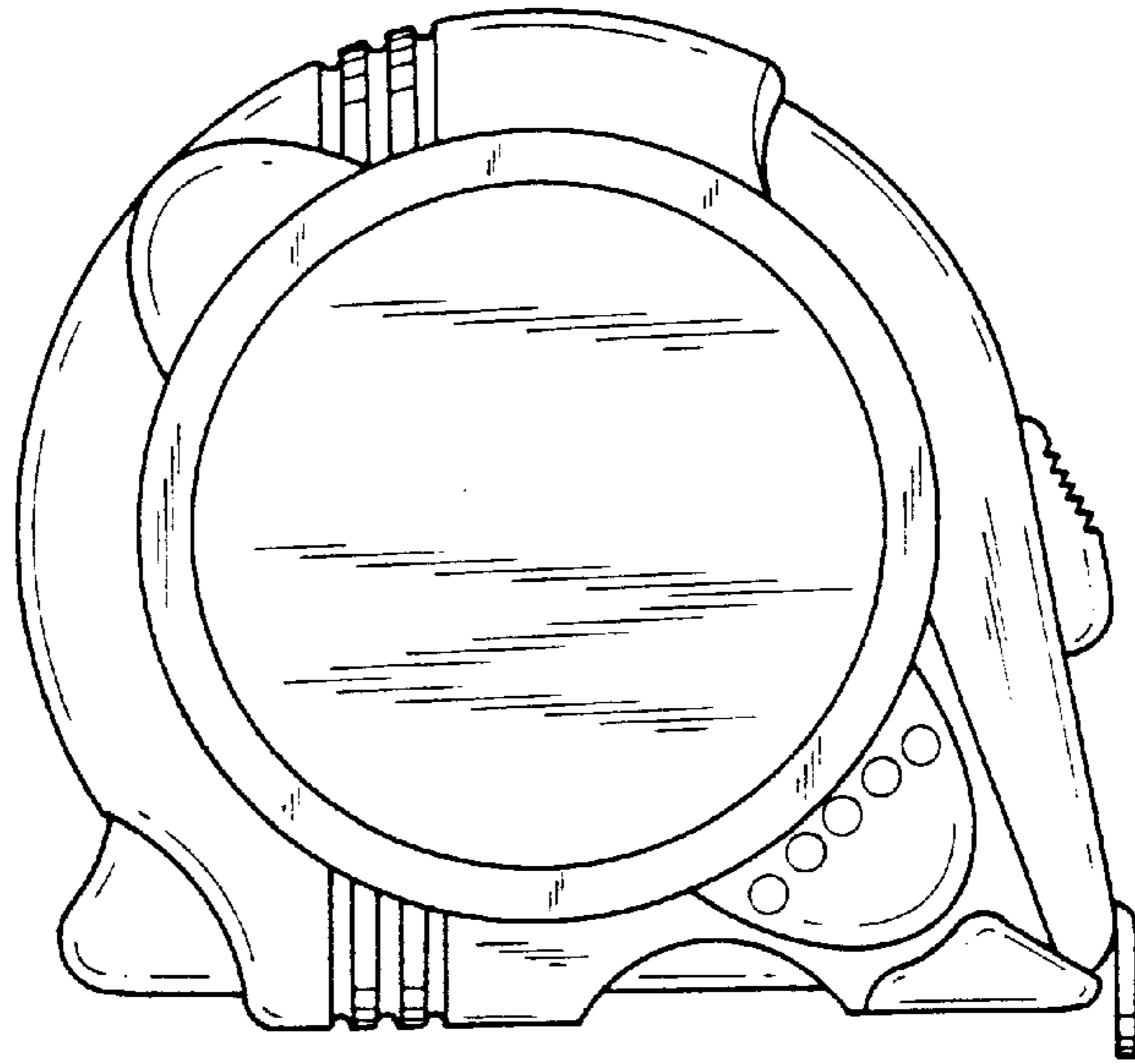


FIG. 2

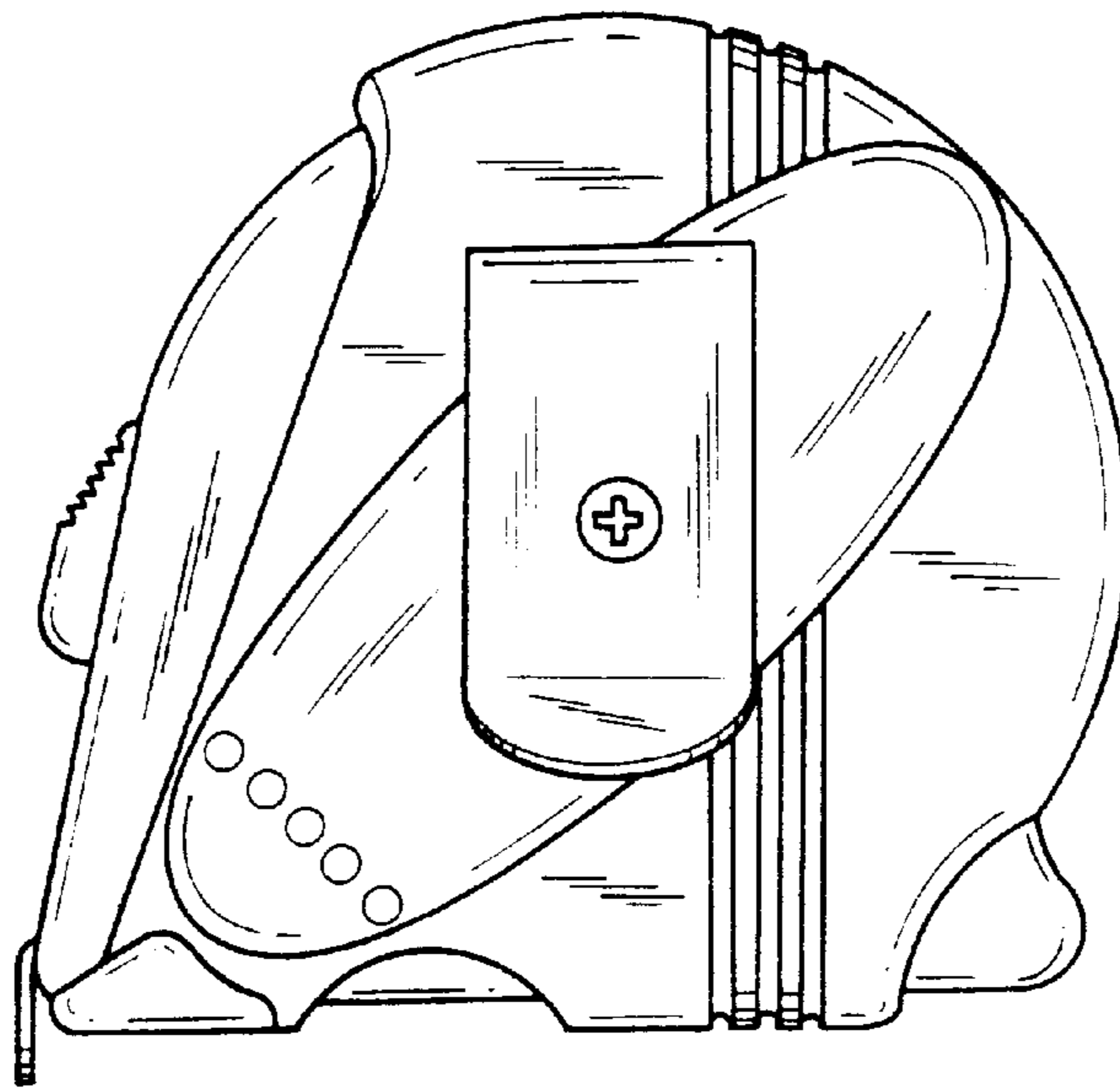


FIG. 3

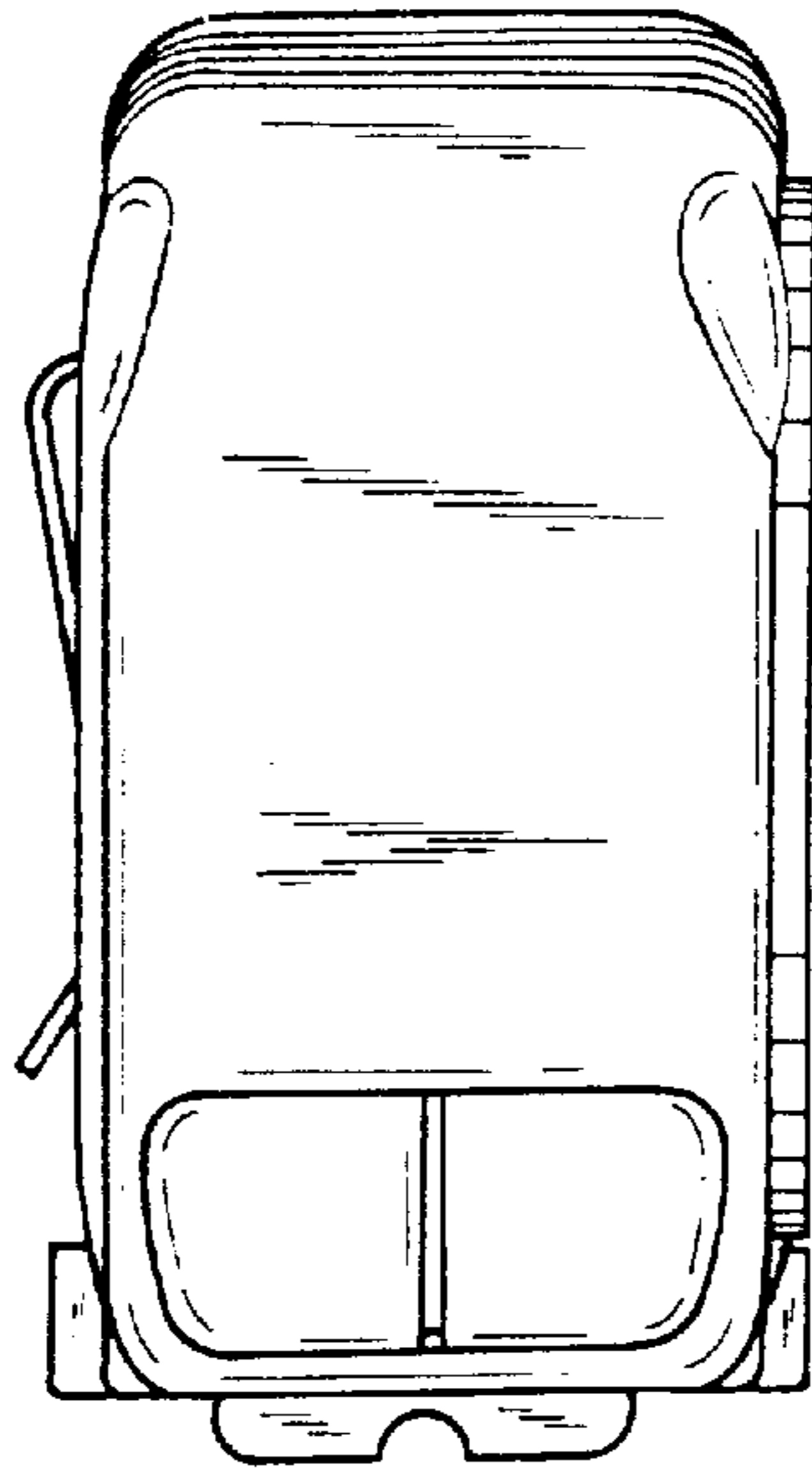


FIG. 4

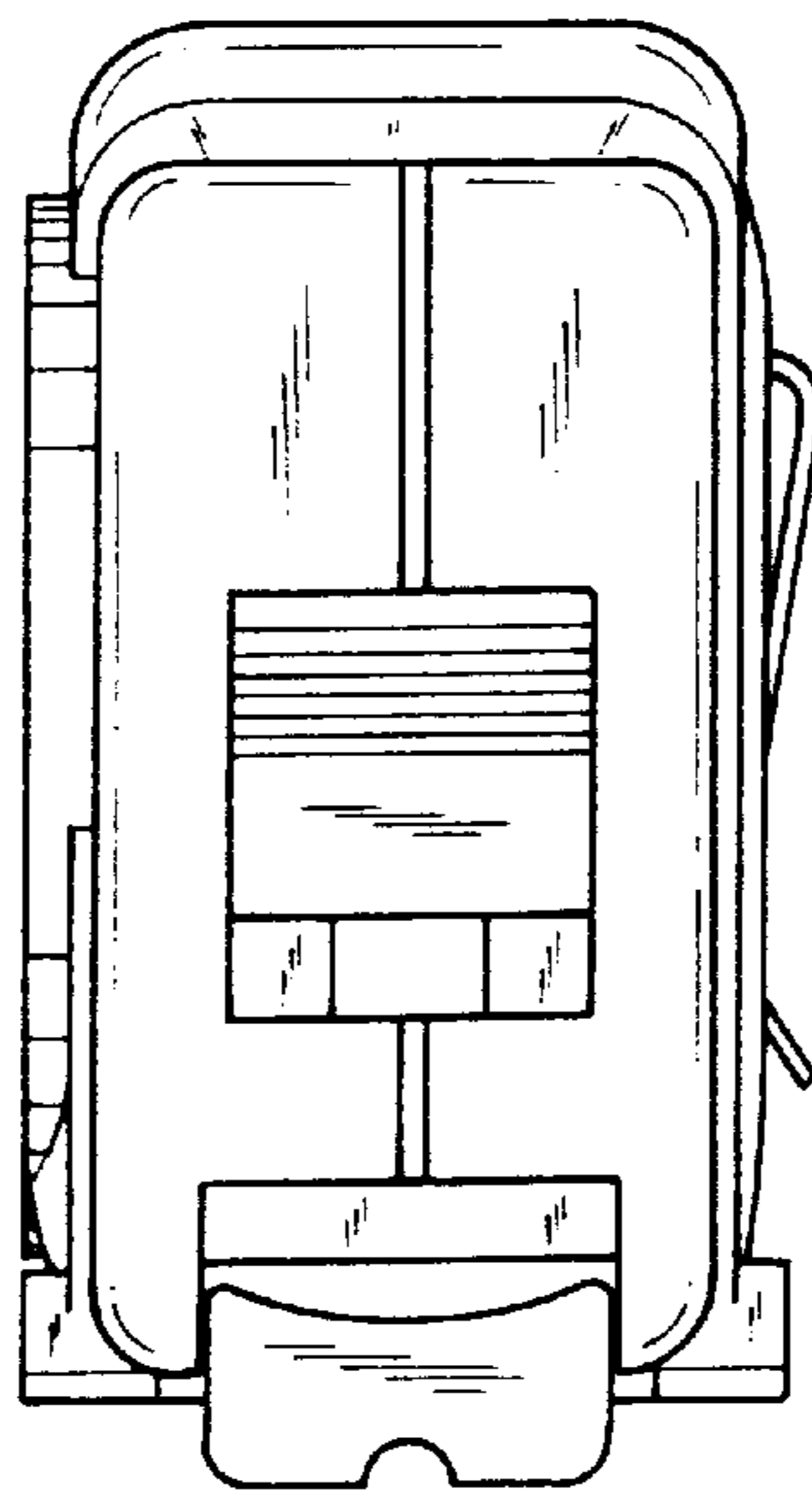


FIG. 5

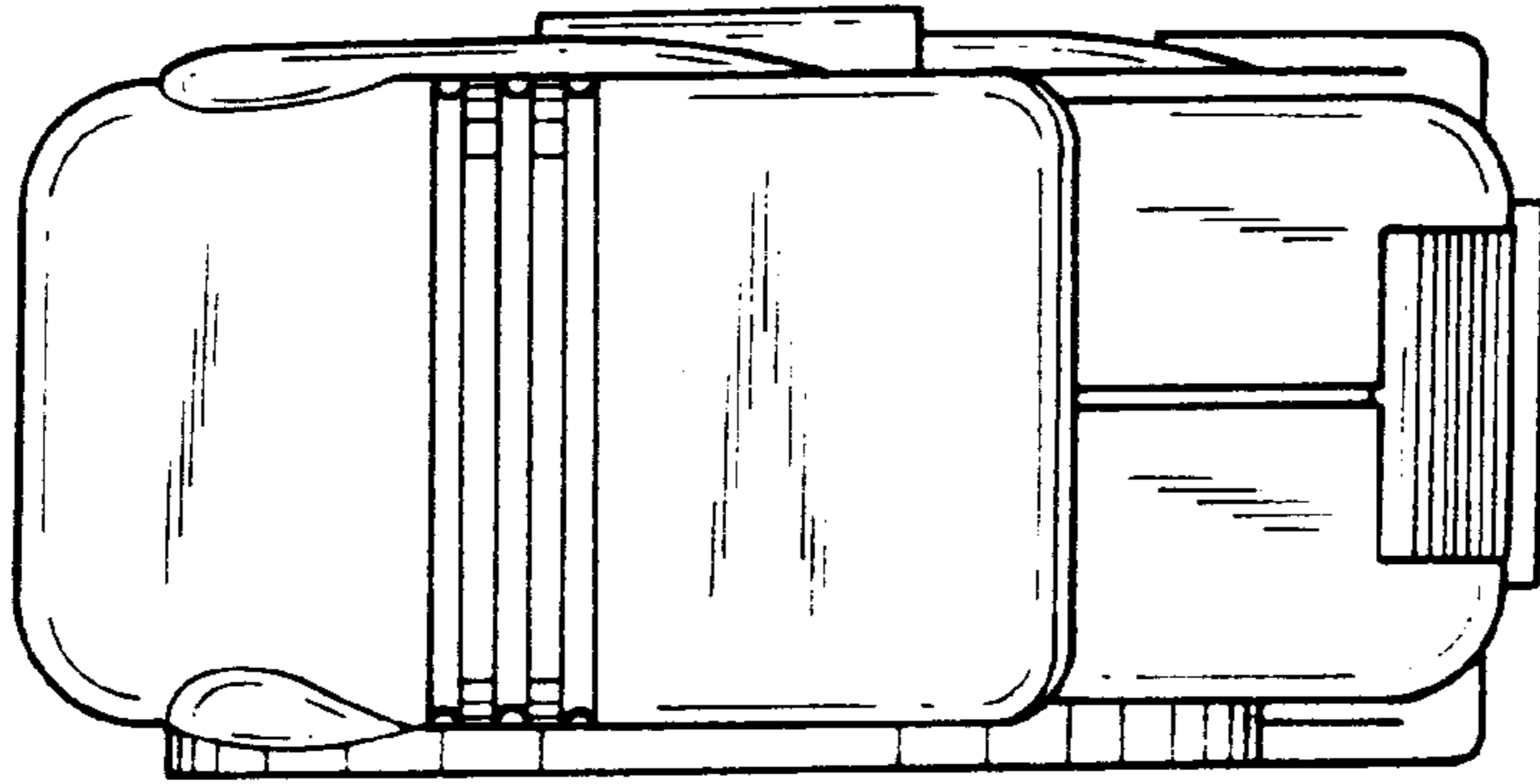


FIG. 6

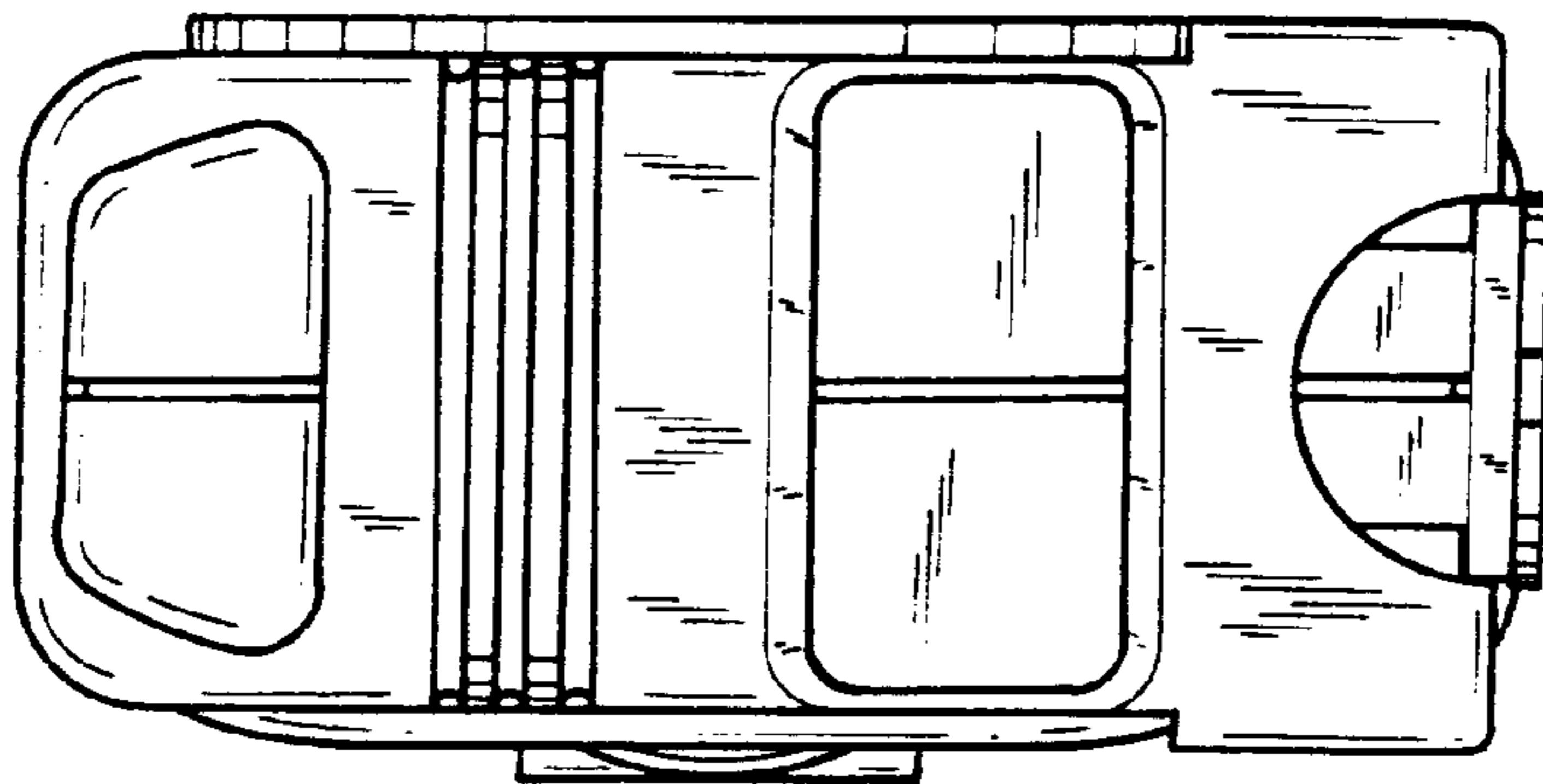


FIG. 7