



US00D420603S

United States Patent [19]

Morga

[11] Patent Number: **Des. 420,603**

[45] Date of Patent: **** Feb. 15, 2000**

[54] **HOOR GLASS**

[76] Inventor: **Gary Morga**, 21A Preston Street,
Brighton, United Kingdom, BN1 2HN

[**] Term: **14 Years**

[21] Appl. No.: **29/105,404**

[22] Filed: **May 24, 1999**

[30] Foreign Application Priority Data

Jan. 26, 1999 [GB] United Kingdom 2080606

[51] **LOC (7) Cl.** **10-03**

[52] **U.S. Cl.** **D10/44**

[58] **Field of Search** D10/44; 368/93

[56] References Cited

U.S. PATENT DOCUMENTS

- D. 120,171 4/1940 Nathan D10/44
- D. 123,822 12/1940 Shinn D10/44
- D. 166,486 4/1952 Nyholm D10/44
- D. 248,542 7/1978 Jacobs D9/324

- D. 338,836 8/1993 Marsh D10/4
- 3,553,959 1/1971 Young 368/93
- 4,267,588 5/1981 Daniels 368/93

Primary Examiner—Nelson C. Holtje
Attorney, Agent, or Firm—Lerner, David, Littenberg,
Krumholz & Mentlik, LLP

[57] CLAIM

The ornamental design for an hour glass, as shown and described.

DESCRIPTION

FIG. 1 is a front, perspective view of an hour glass in accordance with the design of the present invention; FIG. 2 is a left side, elevational view of the hour glass shown in FIG. 1, with the right side being a mirror image thereof; FIG. 3 is a front, elevational view of the hour glass, shown in FIG. 1, with the rear view being a mirror image thereof; and, FIG. 4 is a top, elevational view of the hour glass shown in FIG. 1, with the bottom view being identical thereto.

1 Claim, 2 Drawing Sheets

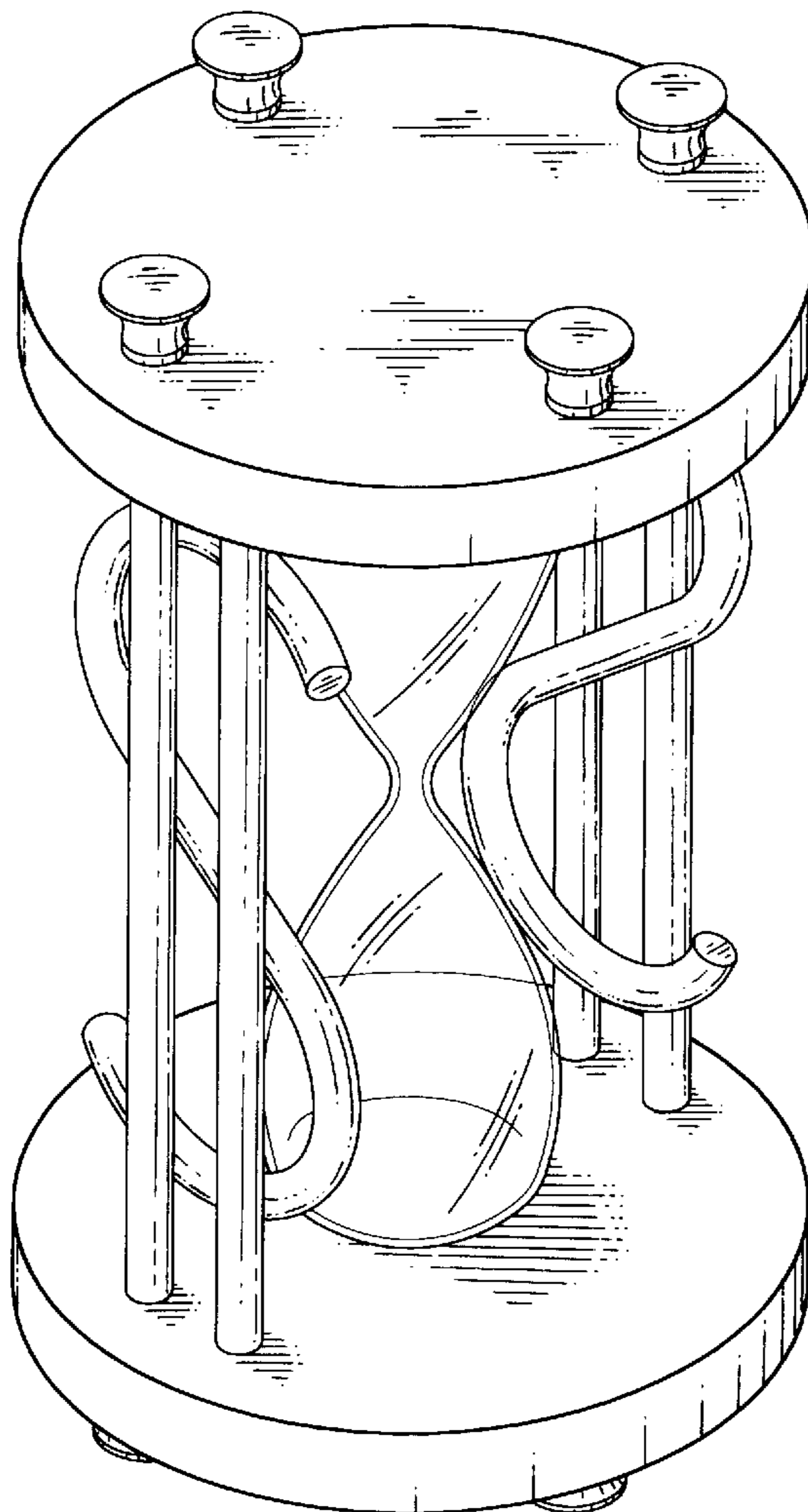


FIG. 1

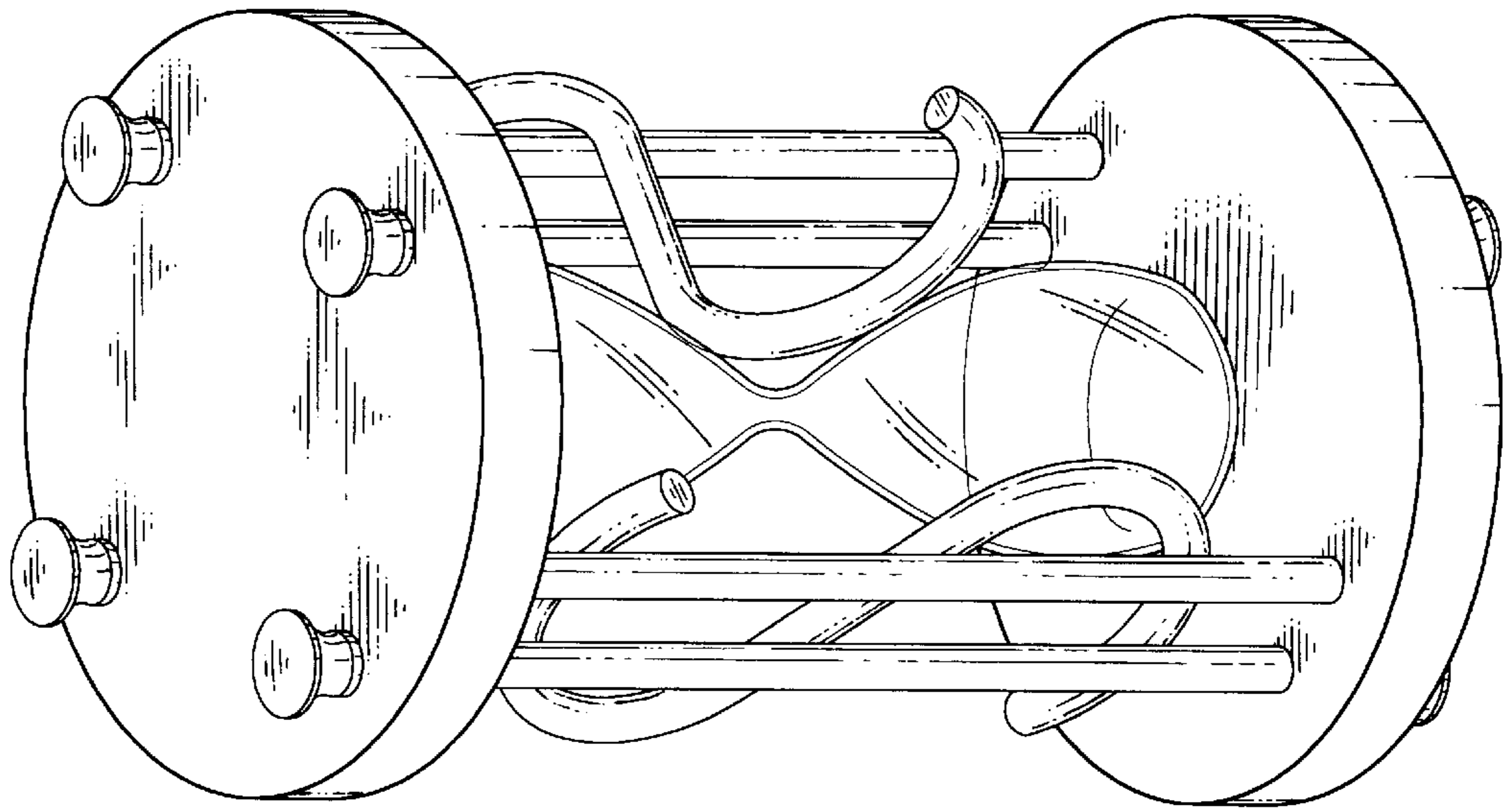


FIG. 2

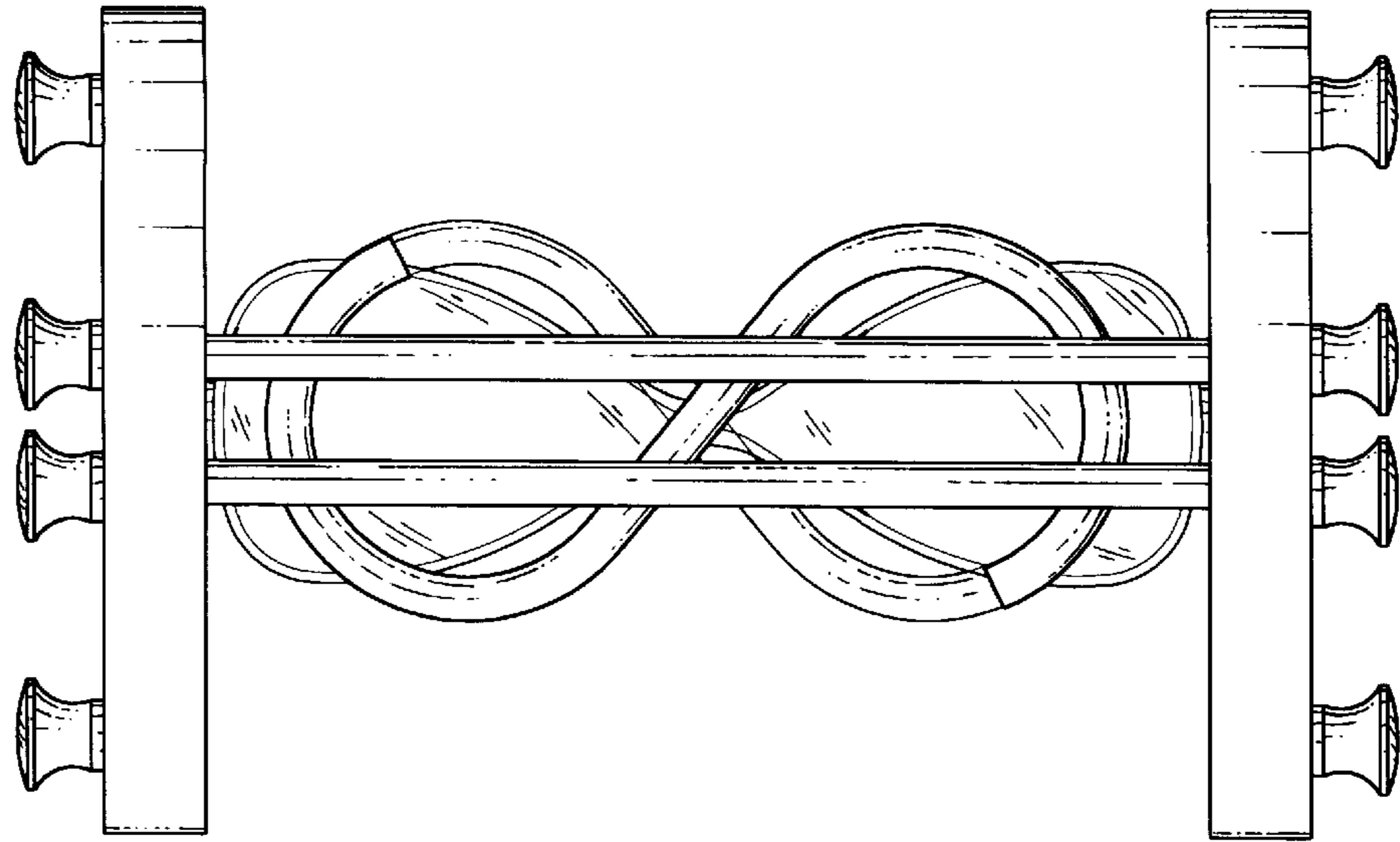


FIG. 3

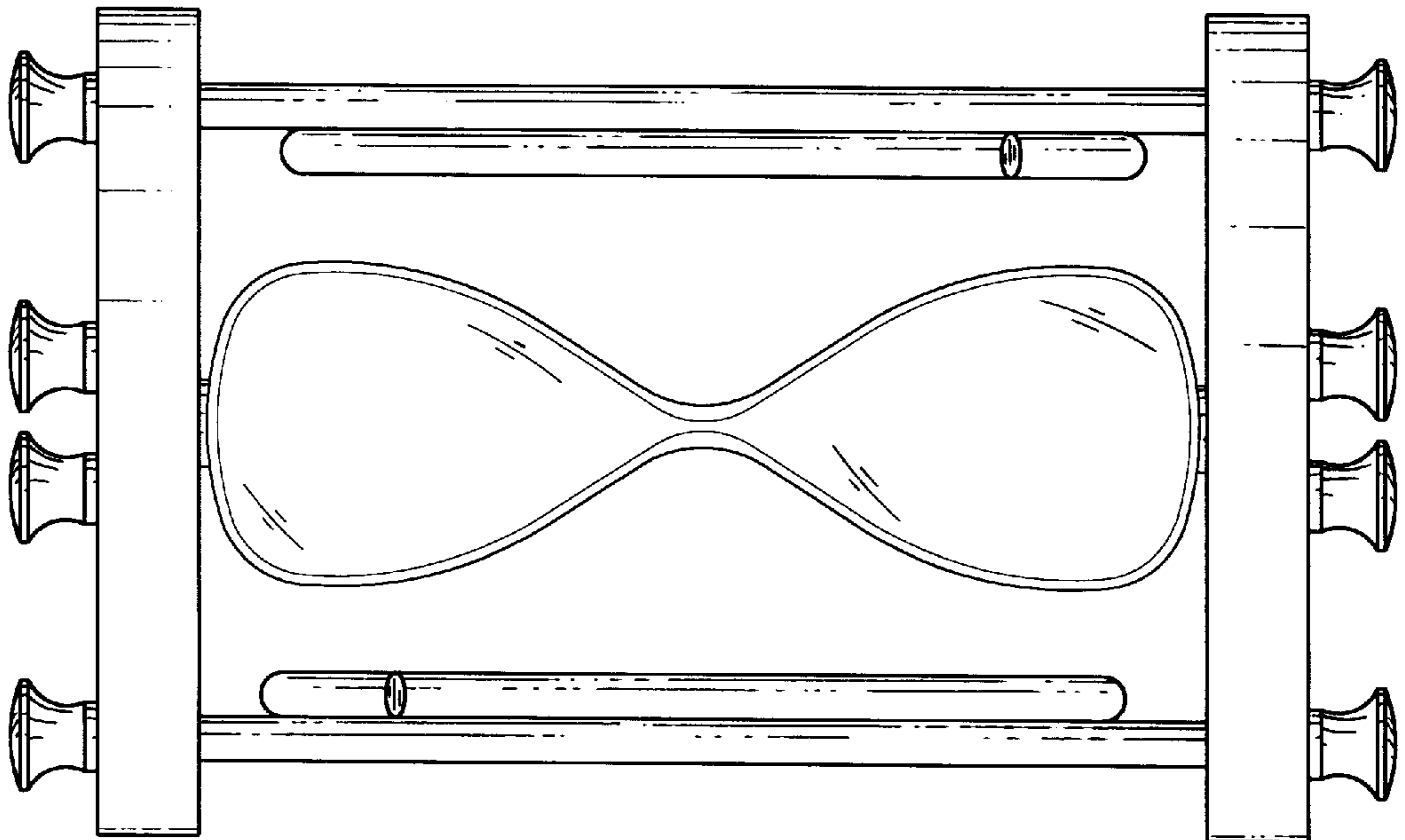


FIG. 4

