



US00D420602S

United States Patent [19]

[11] Patent Number: **Des. 420,602**

Lamar et al.

[45] Date of Patent: **** Feb. 15, 2000**

[54] **MULTIPLE OUTLET TIMER STRIP**

[75] Inventors: **Donald F. Lamar**, Fort Wayne, Ind.;
Spencer L. Mackay, Agoura Hills;
Richard F. Conroy, Simi Valley, both
of Calif.

[73] Assignee: **The Lamar Corporation**, Fort Wayne,
Ind.

[**] Term: **14 Years**

[21] Appl. No.: **29/104,488**

[22] Filed: **May 6, 1999**

[51] **LOC (7) Cl.** **10-03**

[52] **U.S. Cl.** **D10/40; D13/139.8**

[58] **Field of Search** **D10/30, 40; D13/139.8,**
D13/139.6; 439/650-653, 620, 638; 368/10,
107-121

D. 296,878	7/1988	Rakocy	D10/40
D. 304,324	10/1989	Lovett et al.	D13/30
D. 350,917	9/1994	Rossmann et al.	D13/139.8
D. 352,472	11/1994	Chen	D10/40
D. 382,856	8/1997	Harwood et al.	D13/142
D. 386,430	11/1997	Czerlanis et al.	D10/40
D. 389,753	1/1998	Wan	D10/40
D. 390,826	2/1998	Bates	D13/139.1
D. 400,504	11/1998	Stekelenburg	D13/139.6
D. 400,505	11/1998	Yu	D13/139.6
D. 402,902	12/1998	Chen	D10/40
D. 402,963	12/1998	Parshad	D13/139.6
5,788,521	8/1998	Milan	439/214

Primary Examiner—Nelson C. Holtje
Attorney, Agent, or Firm—Baker & Daniels

[57] **CLAIM**

The design of a multiple outlet timer strip, as shown and described.

DESCRIPTION

FIG. 1 is a perspective view of the multiple outlet timer strip showing our new design, the broken line showing of a power cord is environmental only and forms no part of the claimed design.

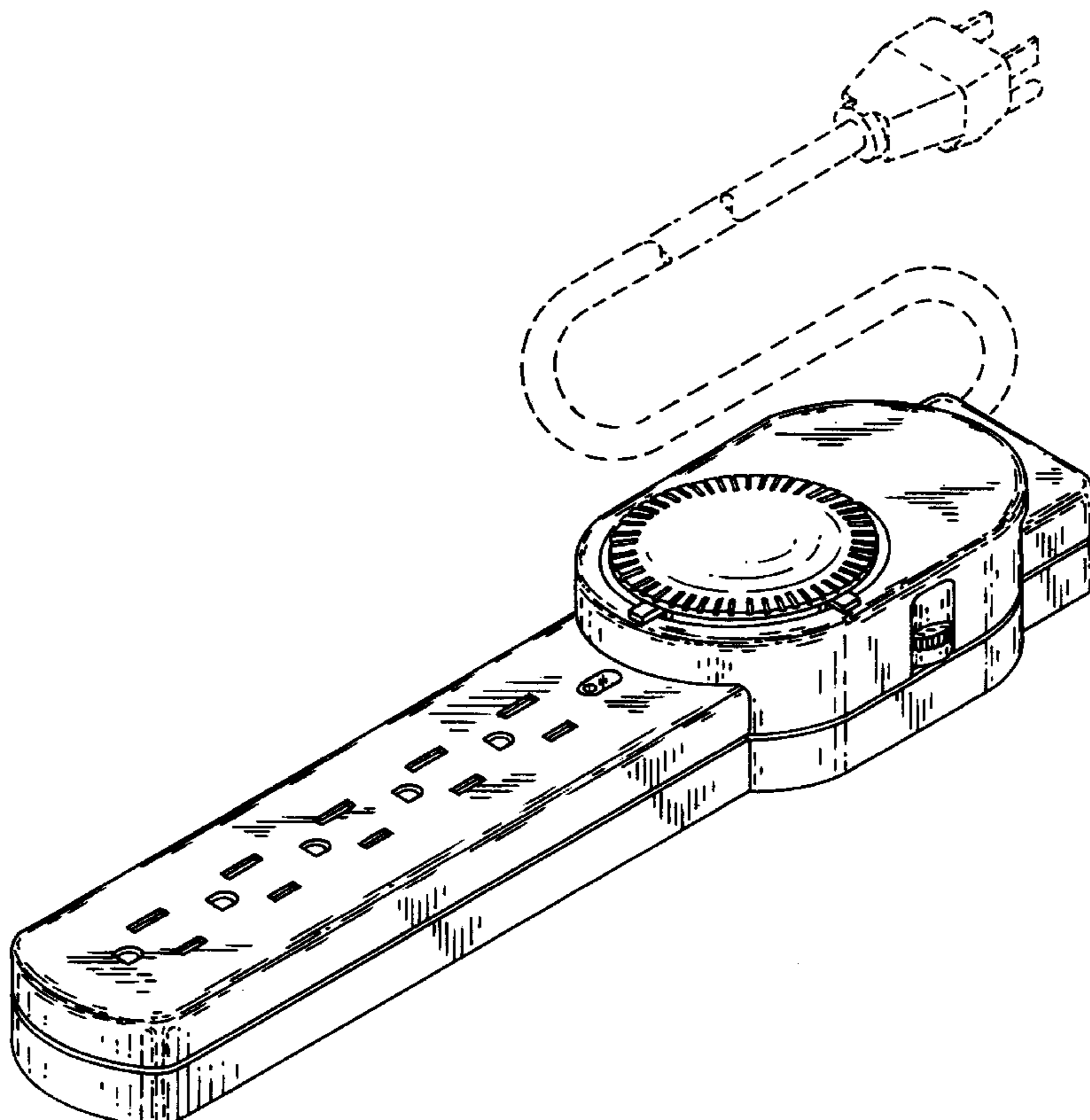
FIG. 2 is a top plan view thereof;
FIG. 3 is a bottom view thereof;
FIG. 4 is a side elevational view thereof;
FIG. 5 is an elevational view of the opposite side thereof;
FIG. 6 is an end view thereof; and,
FIG. 7 is a view of the opposite end.

1 Claim, 3 Drawing Sheets

[56] **References Cited**

U.S. PATENT DOCUMENTS

D. 184,920	4/1959	Eisenberg et al.	D52/1
D. 217,251	4/1970	Kahn	D26/1
D. 234,215	1/1975	Felske	D10/40
D. 241,524	9/1976	Haggstrom	D10/40
D. 270,629	9/1983	Drew	D13/30
D. 283,106	3/1986	Yang	D10/40
D. 285,065	8/1986	Bobrovniczky	D13/30
D. 288,177	2/1987	Yang	D10/40
D. 288,298	2/1987	Yang	D10/40



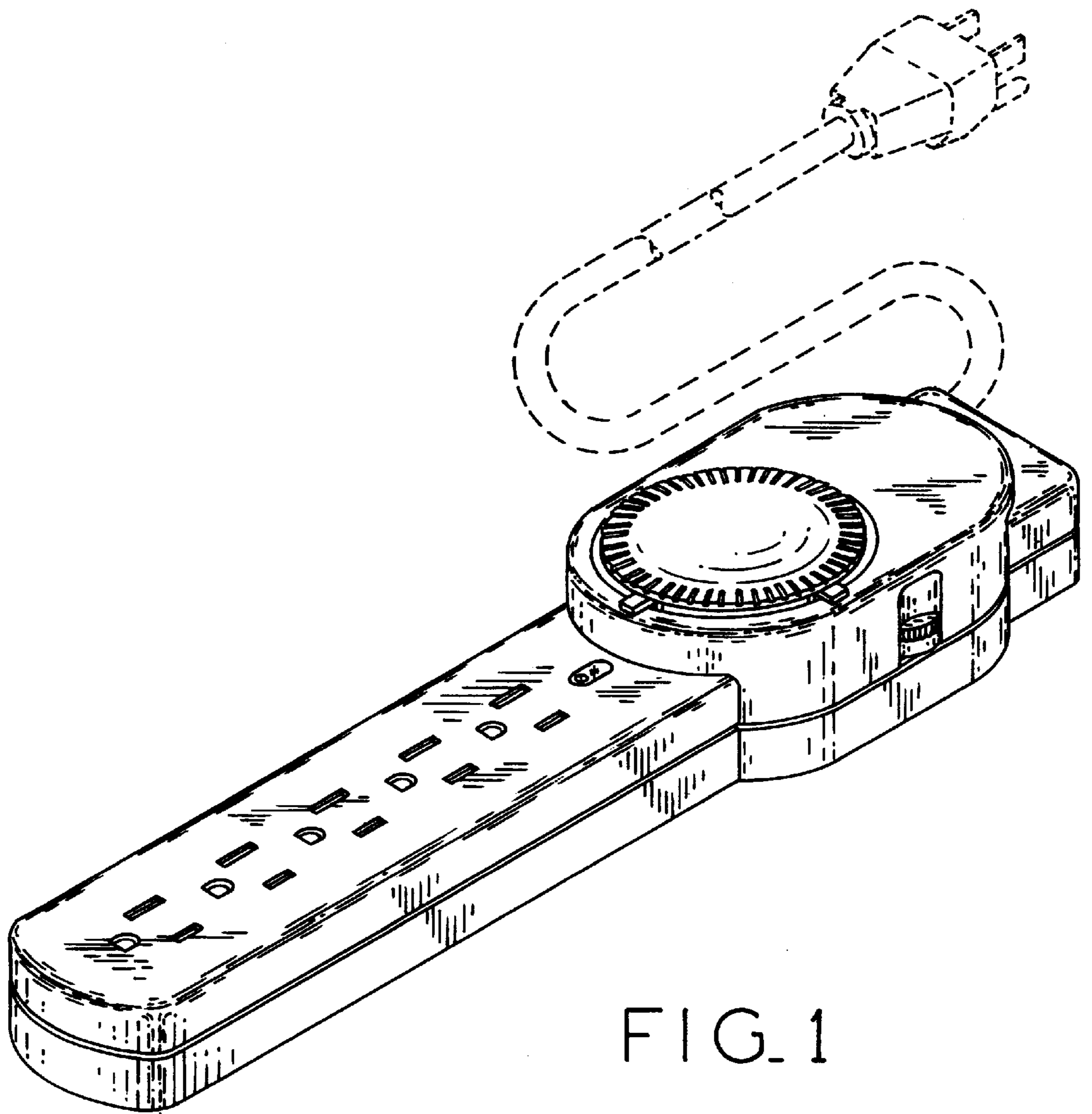


FIG. 1

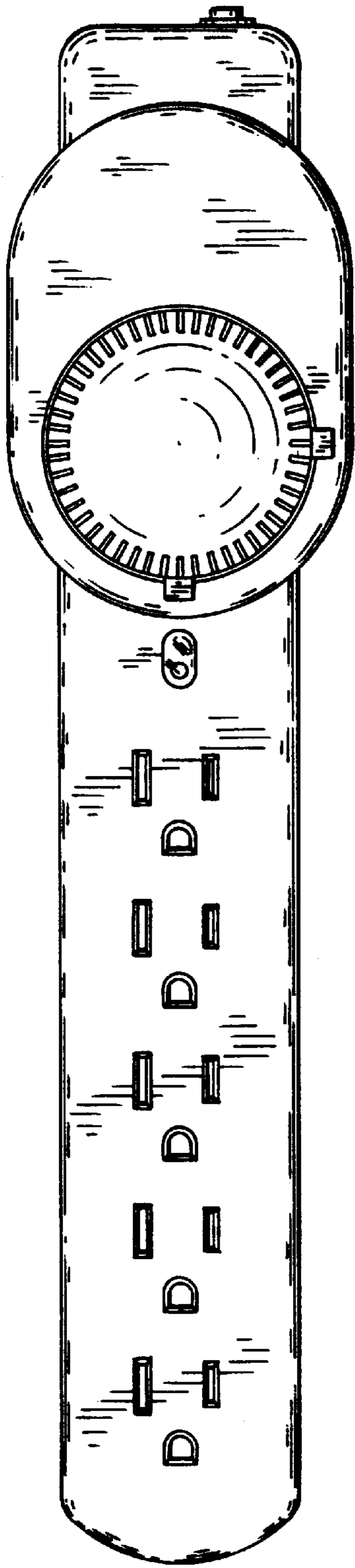


FIG. 2

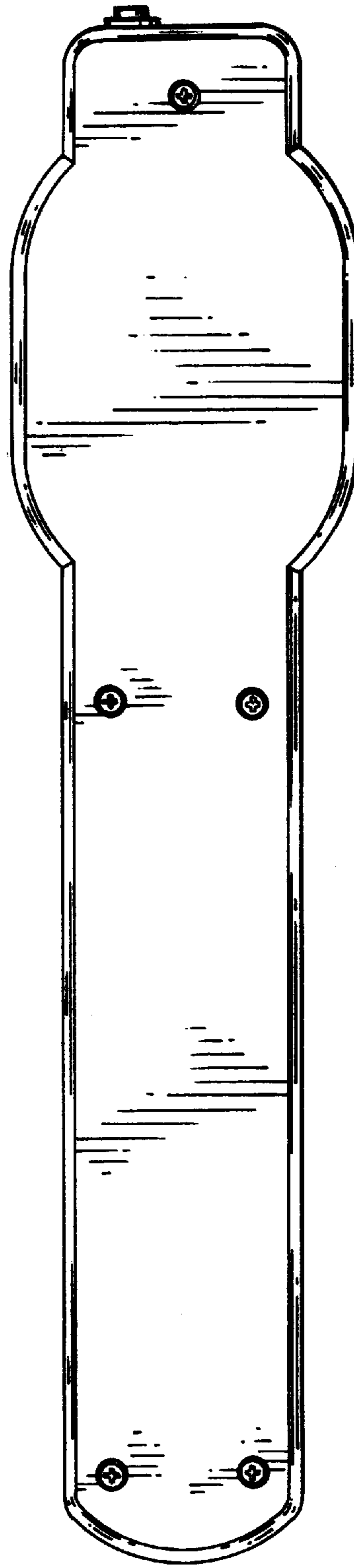


FIG. 3

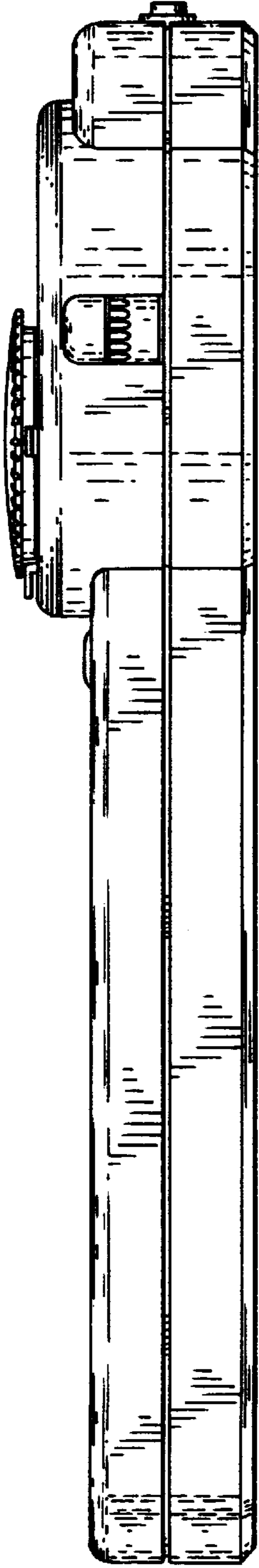


FIG. 4

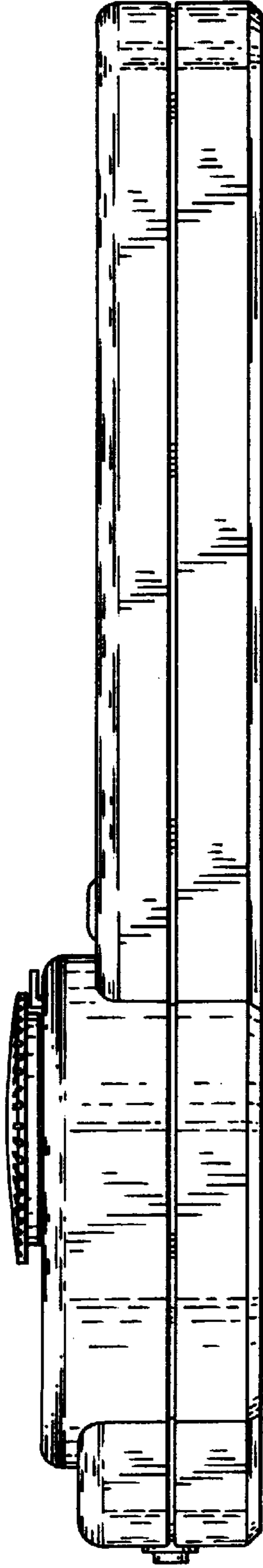


FIG. 5

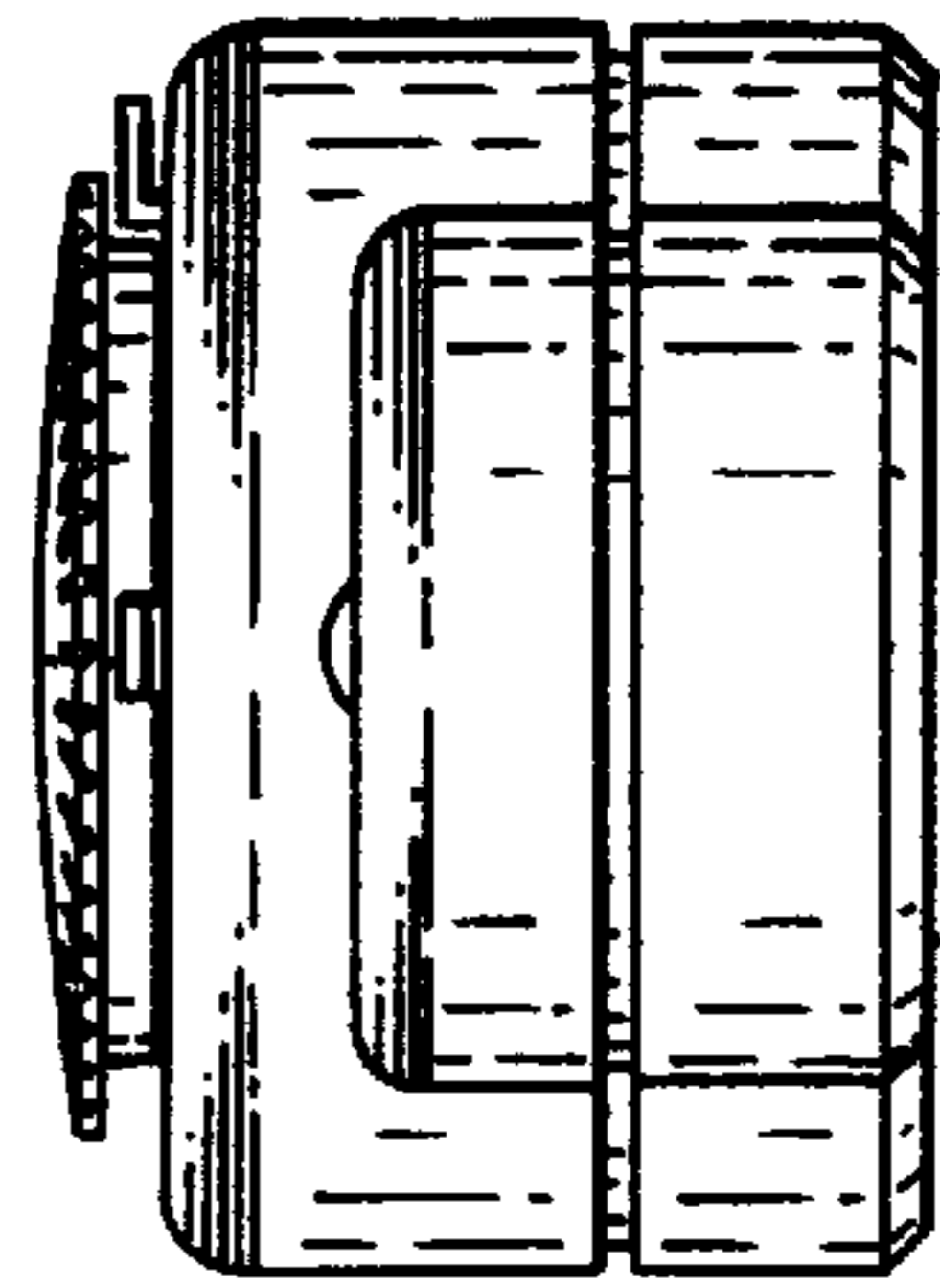


FIG. 6

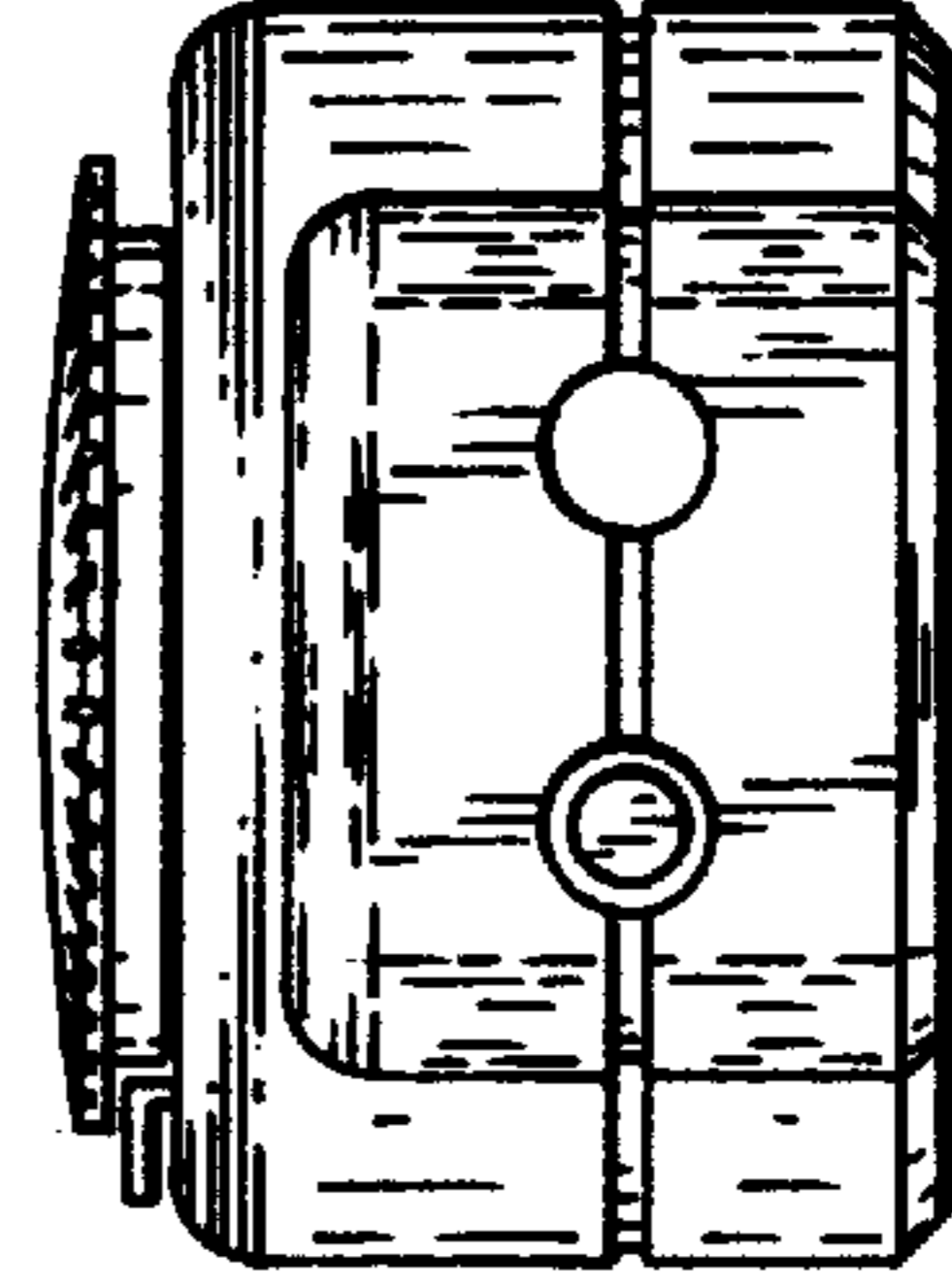


FIG. 7