



US00D420596S

United States Patent [19]
Maddy

[11] **Patent Number: Des. 420,596**

[45] **Date of Patent: ** Feb. 15, 2000**

[54] **COMBINED BOTTLE AND CAP**

[75] Inventor: **Timothy P. Maddy**, Dallas, Tex.

[73] Assignee: **Mary Kay, Inc.**, Dallas, Tex.

[**] Term: **14 Years**

[21] Appl. No.: **29/087,293**

[22] Filed: **Apr. 30, 1998**

[51] **LOC (7) Cl.** **09-01**

[52] **U.S. Cl.** **D9/560**

[58] **Field of Search** D9/503, 544, 546,
D9/573, 574, 560, 435, 439; 215/283-285

[56] **References Cited**

U.S. PATENT DOCUMENTS

D. 76,142	8/1928	Liddell	D9/544
D. 90,558	8/1933	Tricard	D9/560
D. 311,492	10/1990	Pearse	D9/544
D. 324,820	3/1992	Hyaman et al.	D9/544
D. 333,269	2/1993	Albright et al.	D9/544
D. 343,580	1/1994	Reynaud	D9/560

Primary Examiner—Dominic Simone
Attorney, Agent, or Firm—Finnegan, Henderson, Farabow,
Garrett & Dunner, L.L.P.

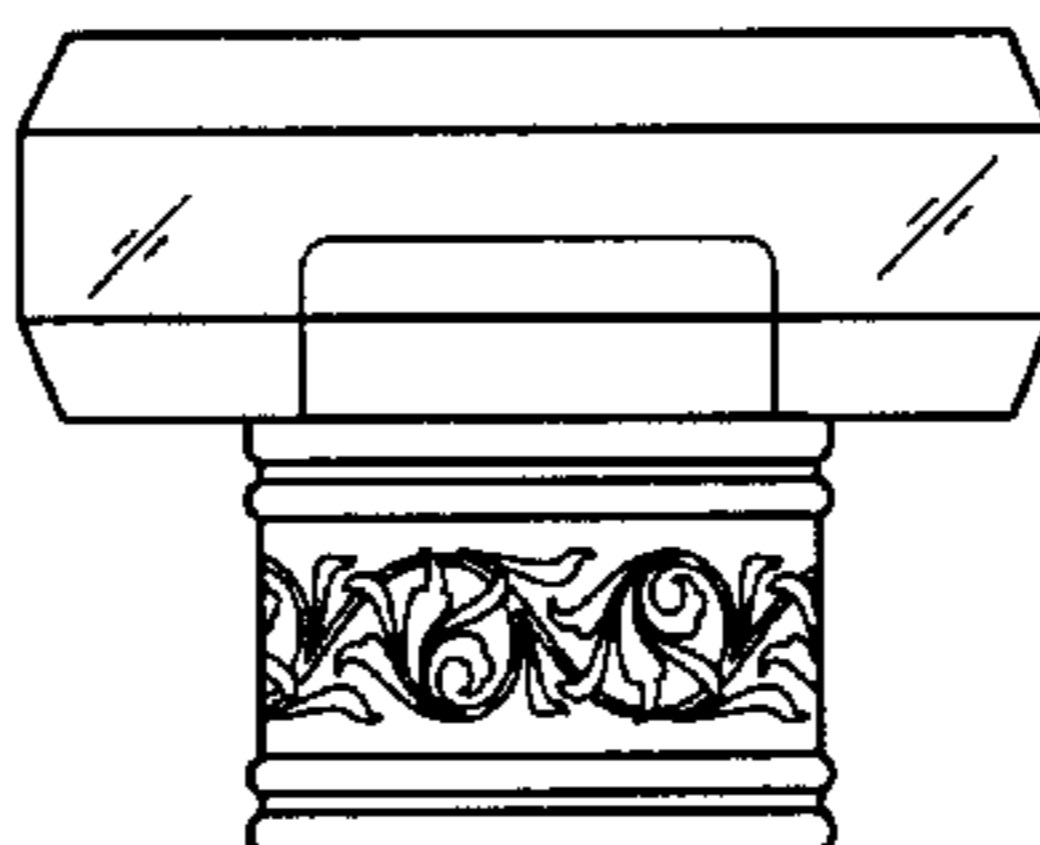
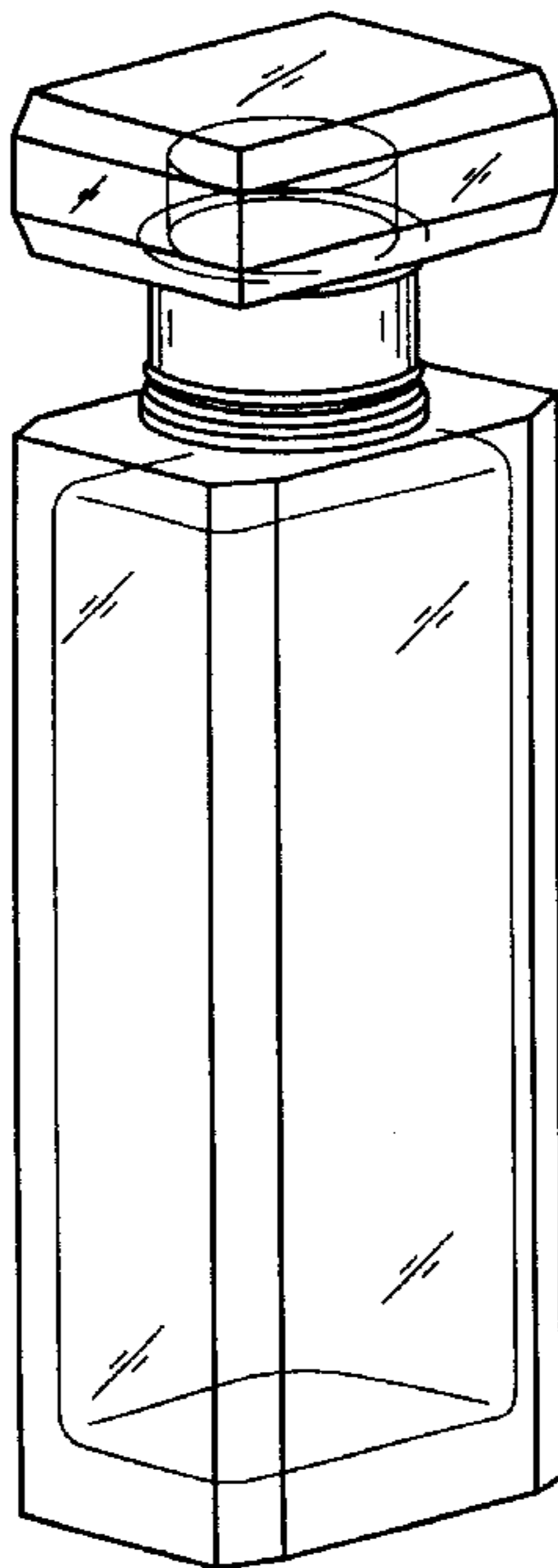
[57] **CLAIM**

The ornamental design for a combined bottle and cap, as shown and described.

DESCRIPTION

FIG. 1 is a perspective view of a combined bottle and cap showing my new design;
FIG. 2 is an exploded perspective view thereof;
FIG. 3 is a front elevational view of the bottle shown separately for clarity of disclosure, the rear being a mirror image;
FIG. 4 is a right side elevational view of FIG. 3, the left side being a mirror image;
FIG. 5 is a top plan view of FIG. 3;
FIG. 6 is a bottom plan view of FIG. 3;
FIG. 7 is a front elevational view of the cap shown separately for clarity of disclosure, the rear being a mirror image;
FIG. 8 is a right side elevational view of FIG. 7, the left side being a mirror image;
FIG. 9 is a top plan view of FIG. 7; and,
FIG. 10 is a front elevational view of a second embodiment of the cap, shown separately for ease of illustration, the difference residing in the decorative band around the shaft.

1 Claim, 3 Drawing Sheets



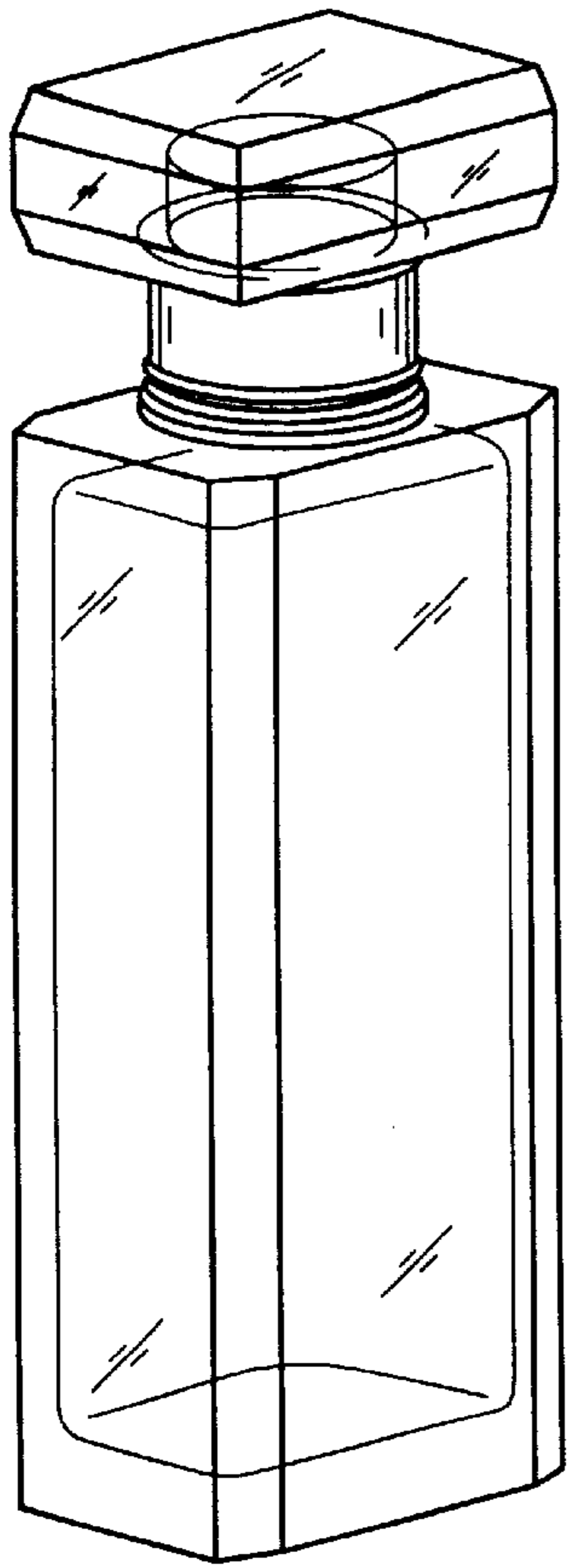


FIG. 1

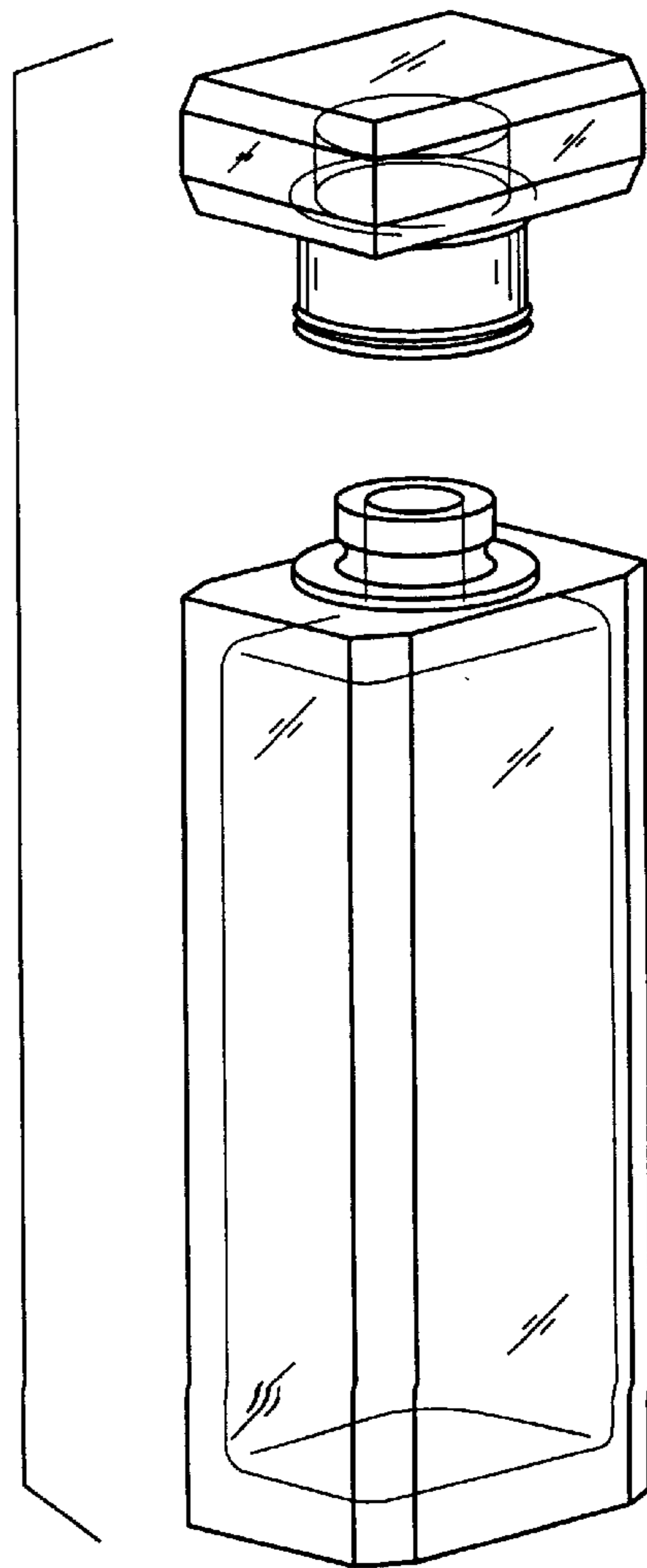


FIG. 2

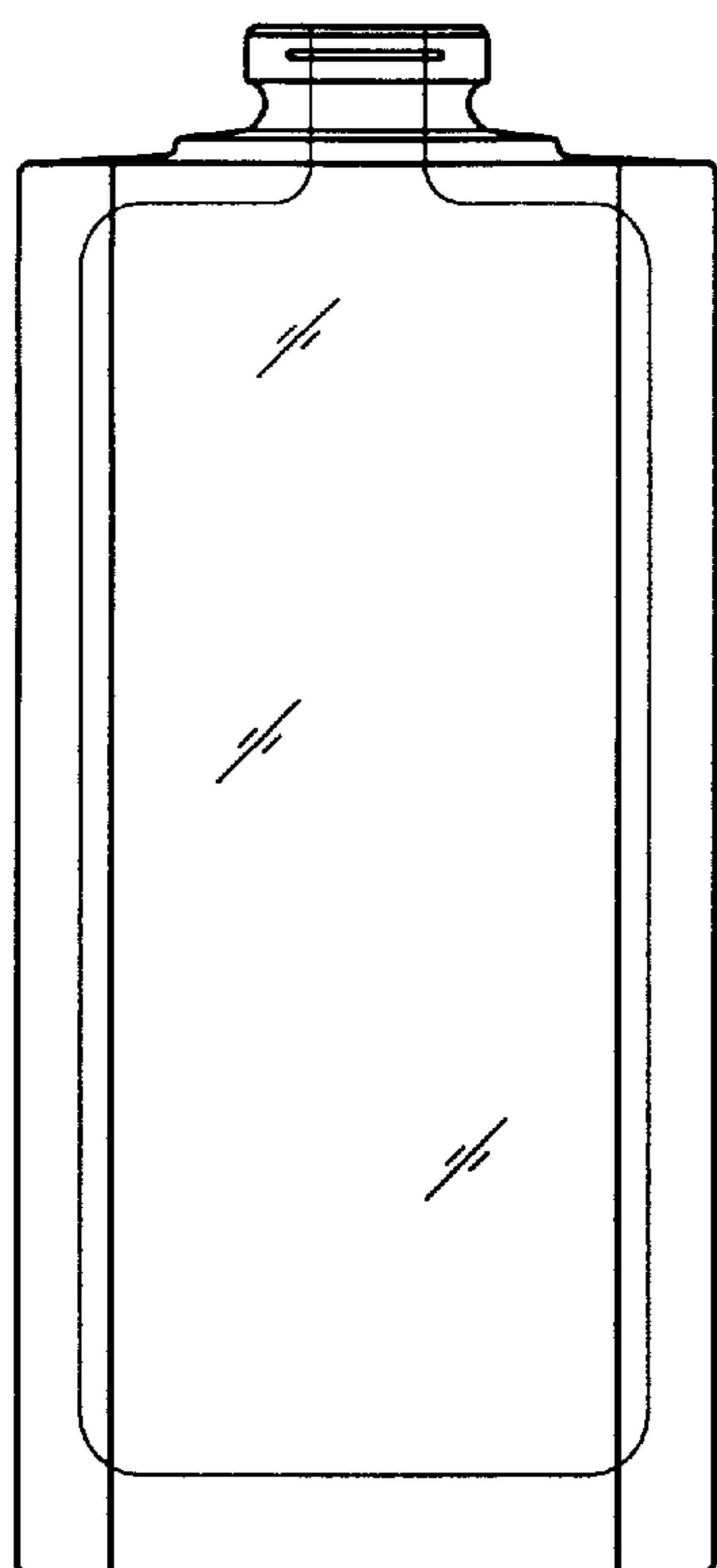


FIG. 3

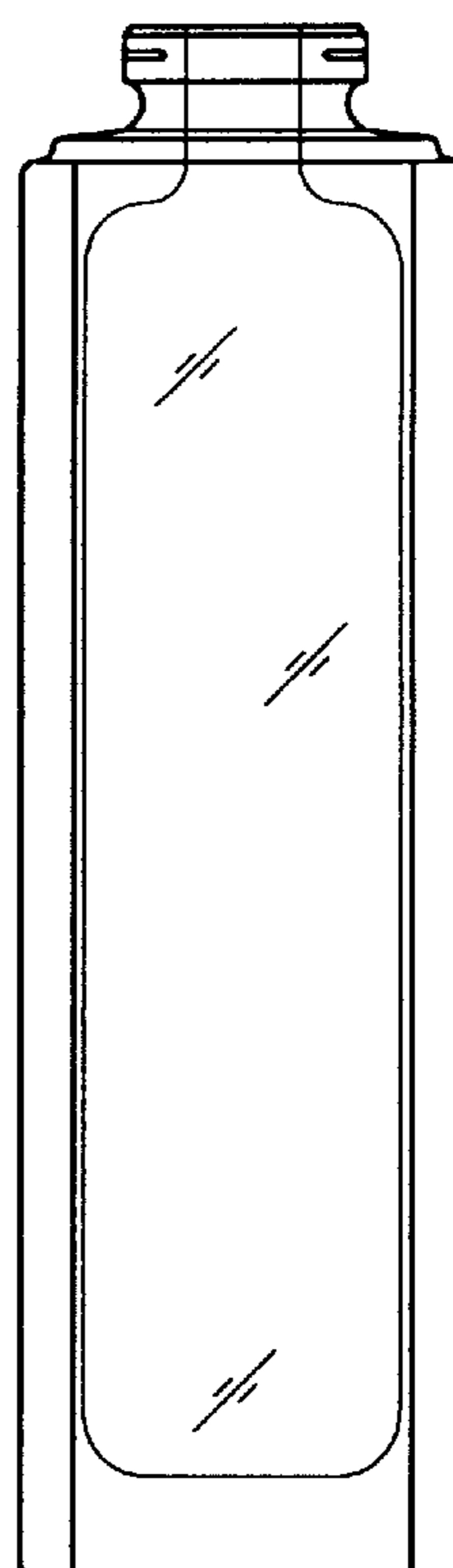


FIG. 4

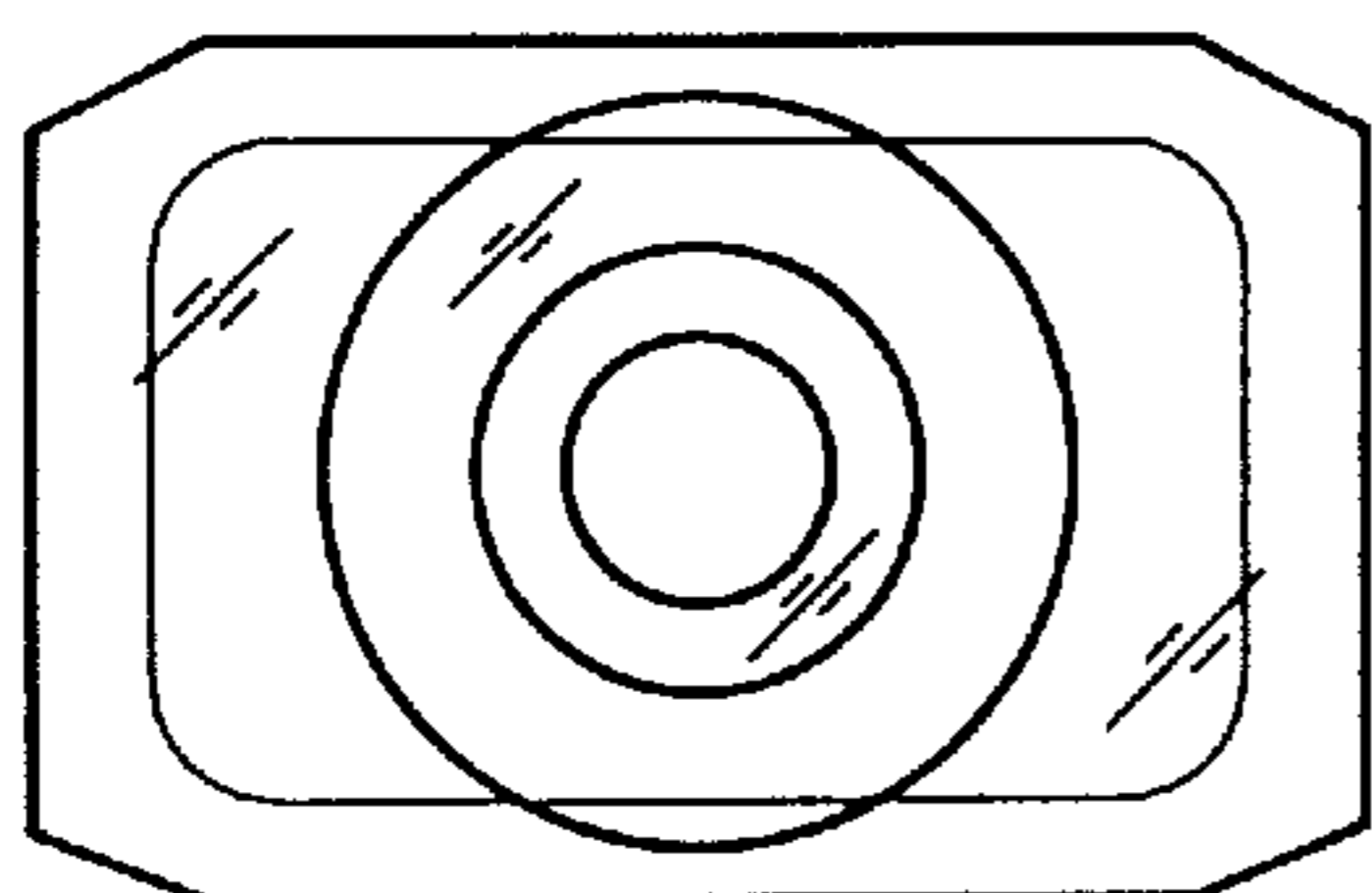


FIG. 5

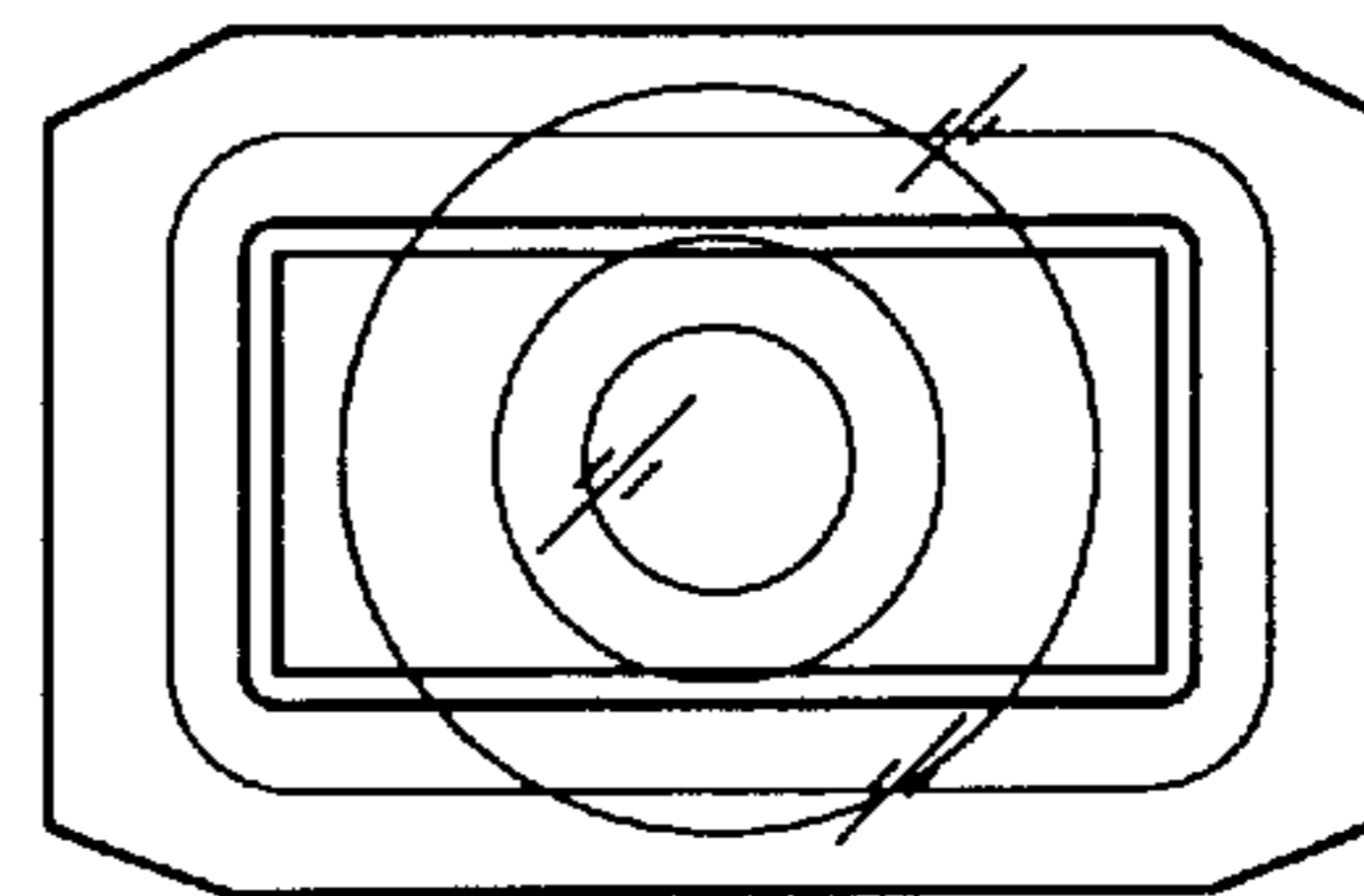


FIG. 6

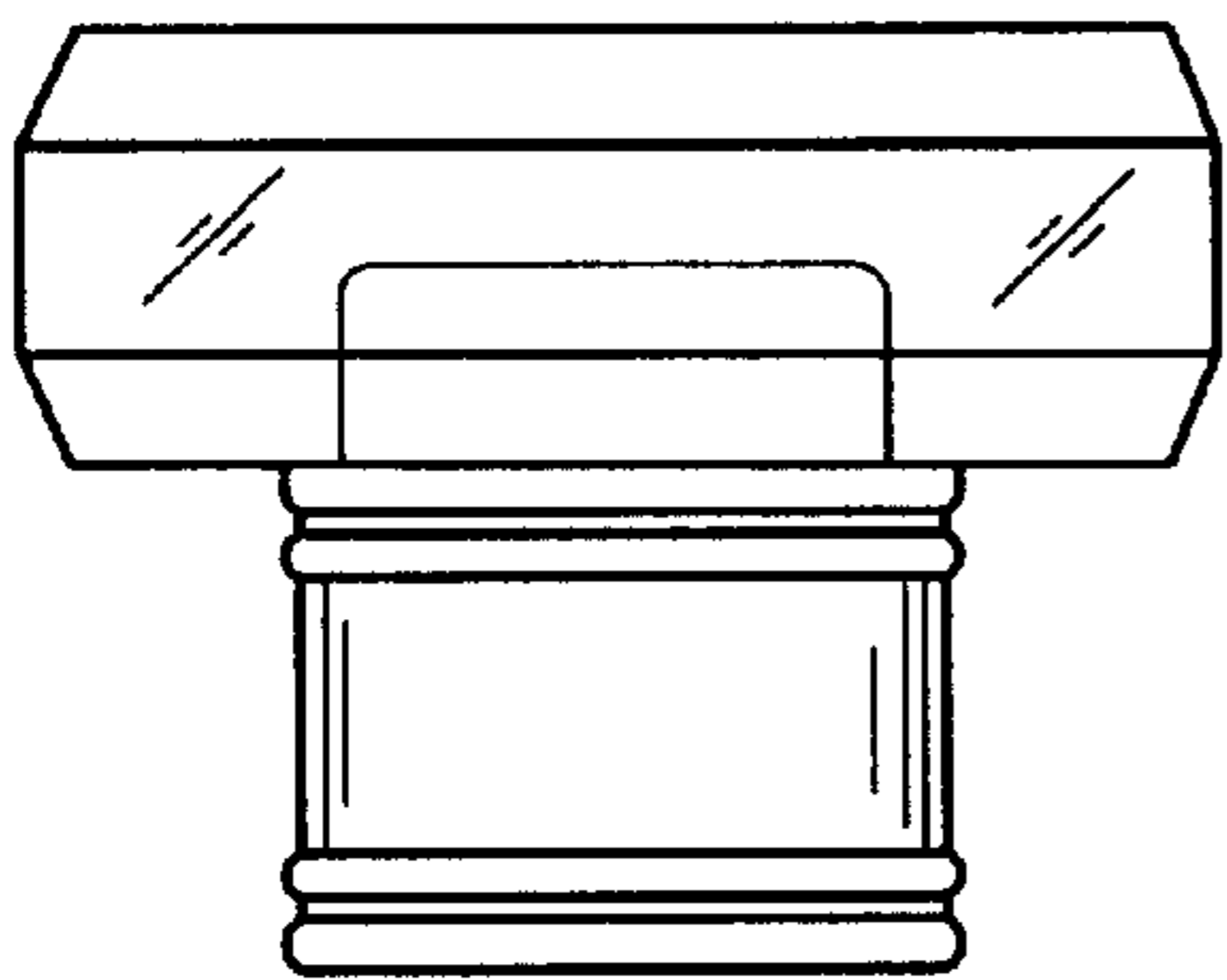


FIG. 7

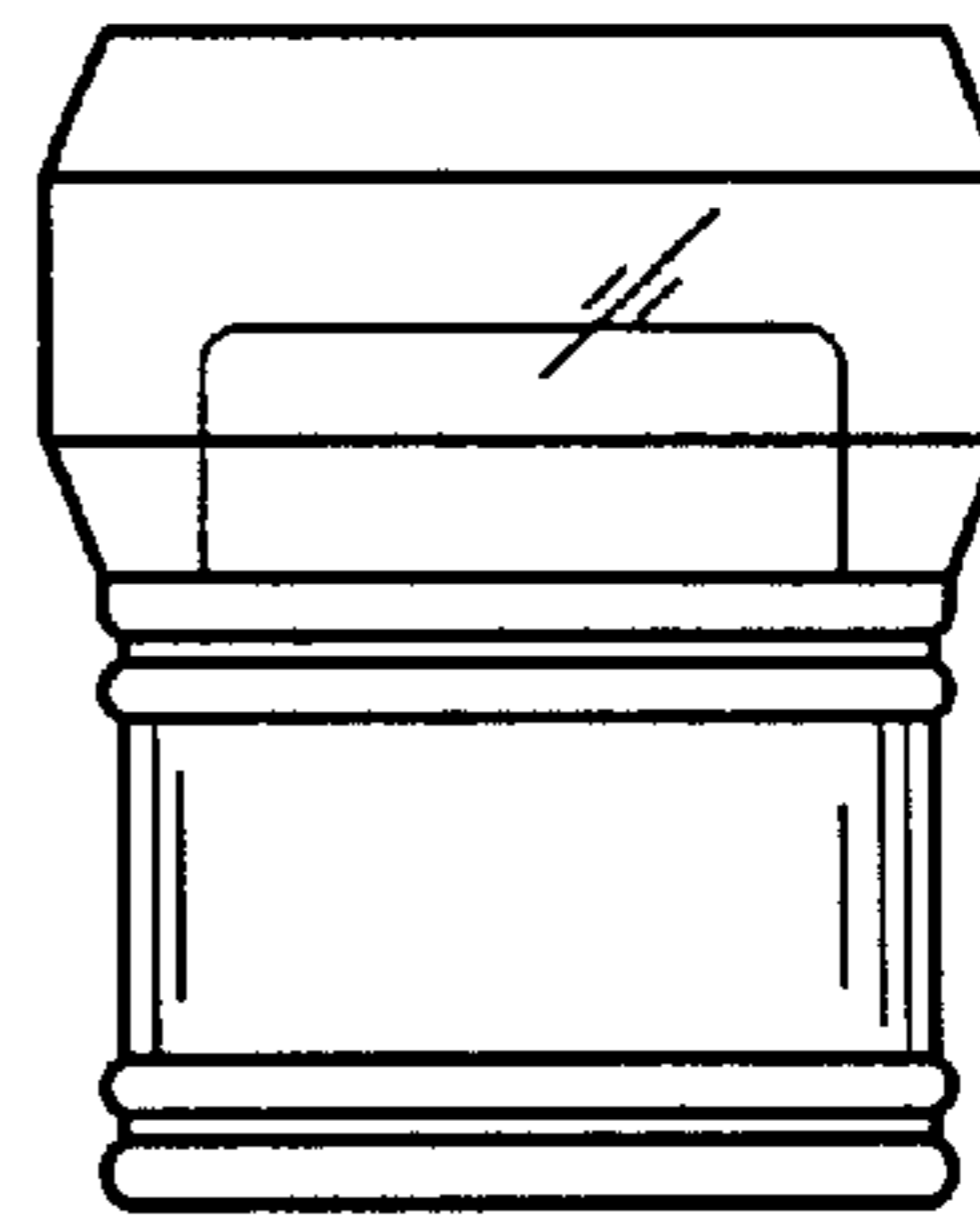


FIG. 8

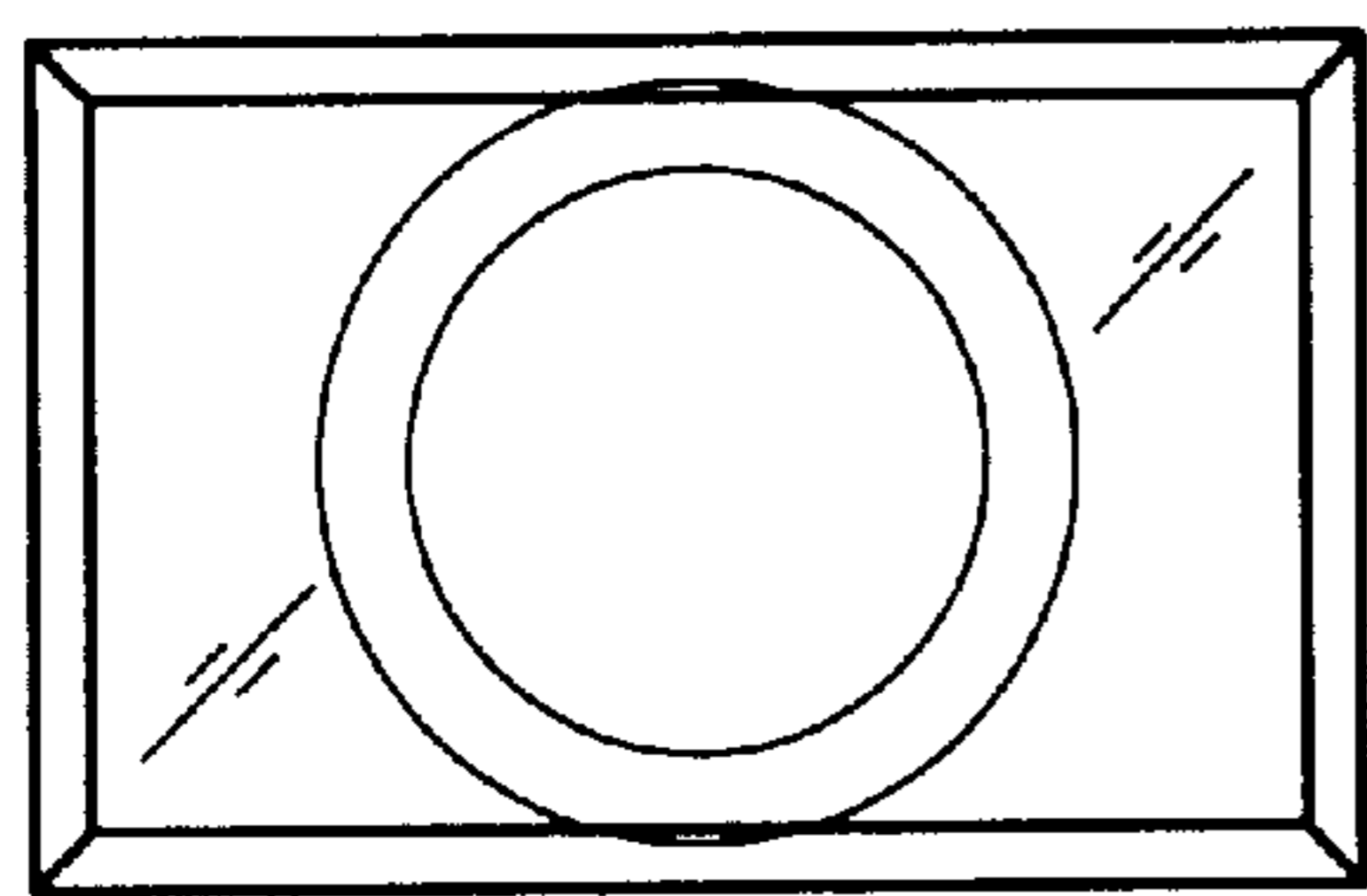


FIG. 9

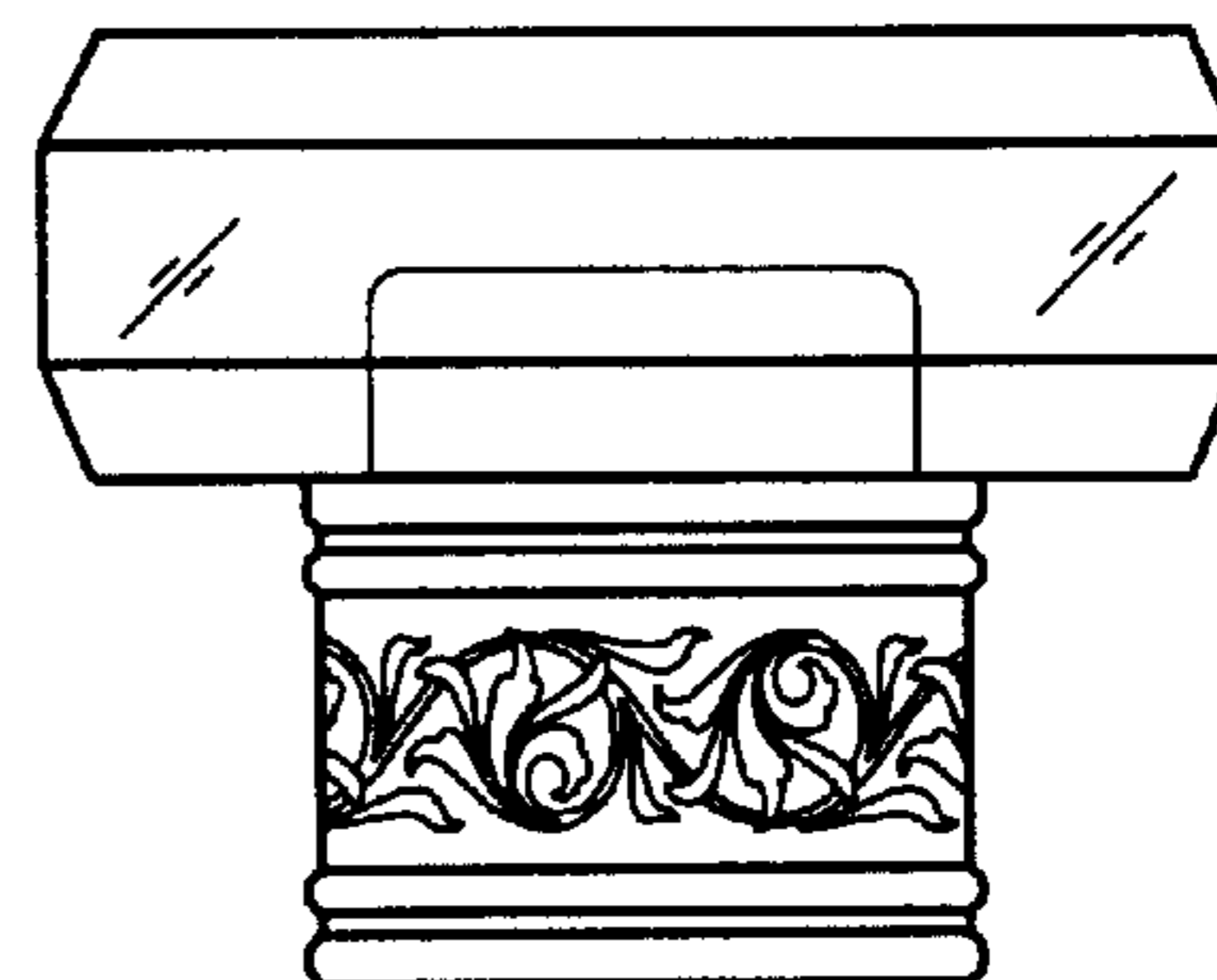


FIG. 10