



US00D420593S

United States Patent [19]

[11] **Patent Number: Des. 420,593**

Denner et al.

[45] **Date of Patent: ** Feb. 15, 2000**

[54] **GRIP CONTAINER**

[75] Inventors: **John Denner; Robert Johnston**, both of Dover, Pa.; **Tracy Marie Momany**, Sylvania; **Frank E. Semersky**, Toledo, both of Ohio

[73] Assignee: **Graham Packaging Company, L.P.**, York, Pa.

[**] Term: **14 Years**

[21] Appl. No.: **29/086,911**

[22] Filed: **Apr. 22, 1998**

[51] **LOC (7) Cl. 09-01**

[52] **U.S. Cl. D9/520; D9/539; D9/557**

[58] **Field of Search D9/538-540, 543, D9/520, 551, 556, 559, 557, 571, 569, 570, 537, 541, 555; 215/382, 383, 384, 396, 398, 381, 370-373**

[56] **References Cited**

U.S. PATENT DOCUMENTS

- D. 86,118 2/1932 Fuerst .
- D. 86,408 3/1932 Piazzoli .
- D. 193,311 7/1962 Buckley .
- D. 249,121 8/1978 Strand .
- D. 284,941 8/1986 Porteous .
- D. 307,394 4/1990 Wetherell, Jr. .
- D. 339,291 9/1993 Leigner .
- D. 344,457 2/1994 Prevot et al. .
- D. 354,685 1/1995 Krishnakumar et al. .
- D. 364,093 11/1995 Weaver, Jr. .
- D. 370,850 6/1996 Beaver .
- D. 379,763 6/1997 Ewing, Jr. .
- D. 381,274 7/1997 Luh et al. .
- D. 382,485 8/1997 Krishnakumar et al. .
- D. 382,807 8/1997 Silvers et al. .
- D. 385,497 10/1997 Krishnakumar et al. .
- D. 387,670 12/1997 Larkin D9/538

- D. 390,116 2/1998 Larkin et al. D9/571
- D. 393,210 4/1998 Ewing, Jr. D9/543
- D. 402,563 12/1998 Prevot et al. D9/571
- 5,092,474 3/1992 Leigner .
- 5,141,120 8/1992 Brown et al. .
- 5,141,121 8/1992 Brown et al. .
- 5,261,544 11/1993 Weaver, Jr. .
- 5,392,937 2/1995 Prevot et al. .
- 5,472,105 12/1995 Krishnakumar .
- 5,598,941 2/1997 Semersky et al. .
- 5,758,790 6/1998 Ewing, Jr. 215/384
- 5,887,739 3/1999 Revot et al. 215/382

OTHER PUBLICATIONS

U.S. Design Patent Application No. 29/082,103 filed Jan. 15, 1998.

U.S. Design Patent Application No. 29/082,093 filed Jan. 15, 1998.

Primary Examiner—Lucy Lieberman
Attorney, Agent, or Firm—Howson and Howson

[57] **CLAIM**

The ornamental design for a grip container, as shown and described.

DESCRIPTION

FIG. 1 is a front elevational view of a grip container embodying our new design;

FIG. 2 is a rear elevational view of the grip container of FIG. 1;

FIG. 3 is a left side elevational view of the grip container of FIG. 1, the right side elevational view being a mirror image thereof;

FIG. 4 is a top plan view of the grip container of FIG. 1; and, FIG. 5 is a bottom plan view of the grip container of FIG. 1.

The broken lines in the drawings are for illustrative purposes only and do not form part of the claimed design.

1 Claim, 4 Drawing Sheets

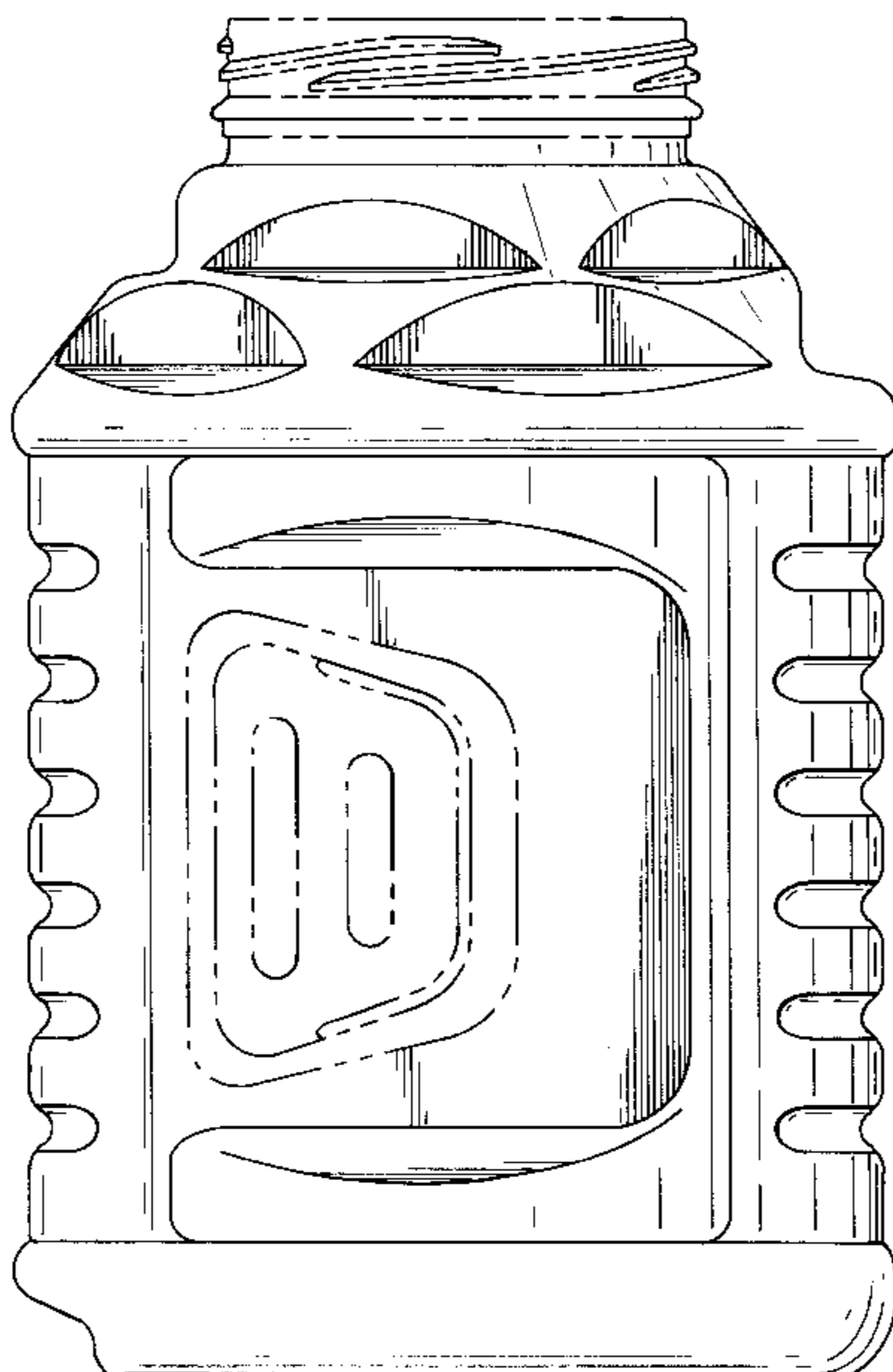


FIG. 1

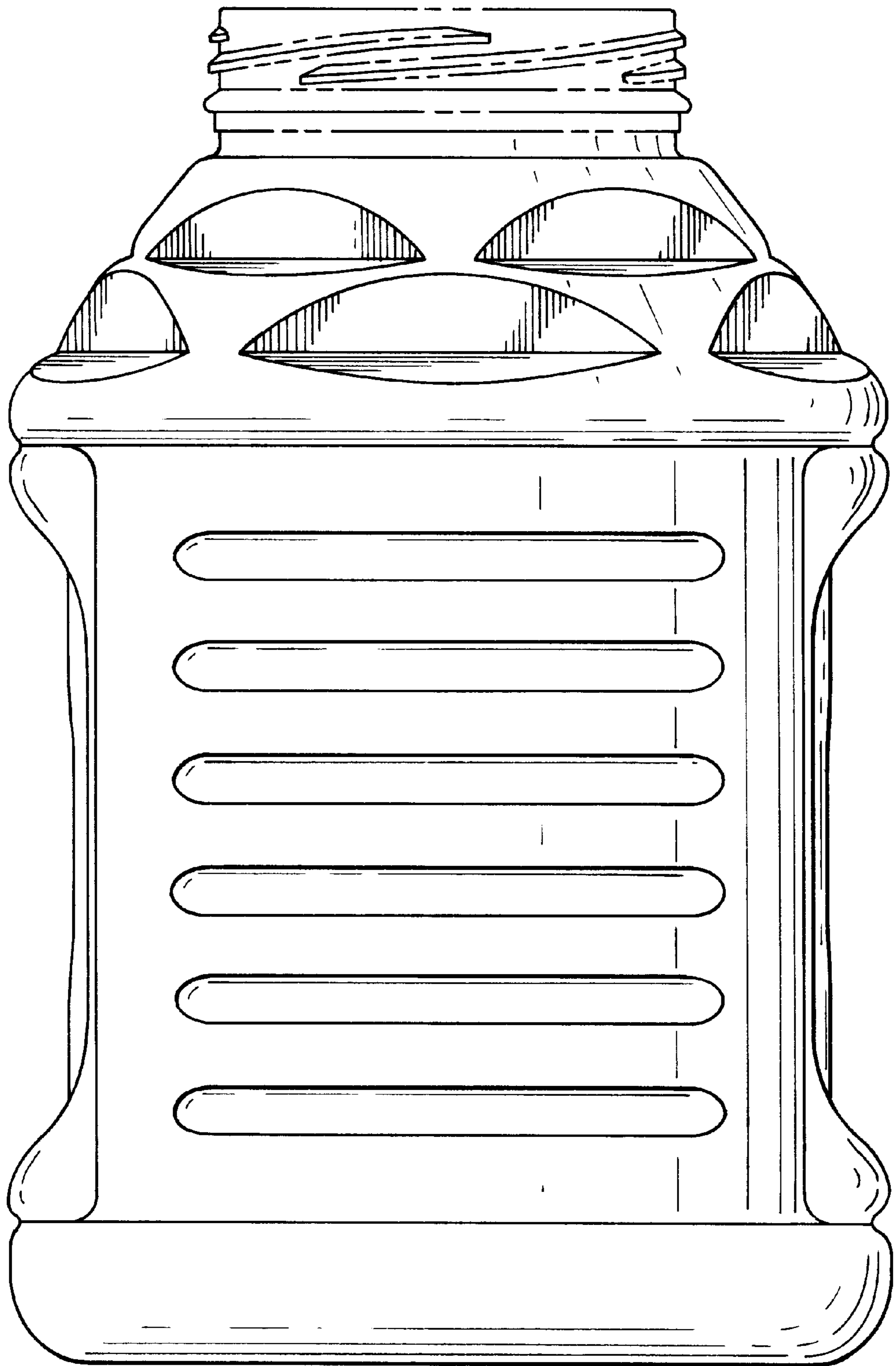


FIG. 2

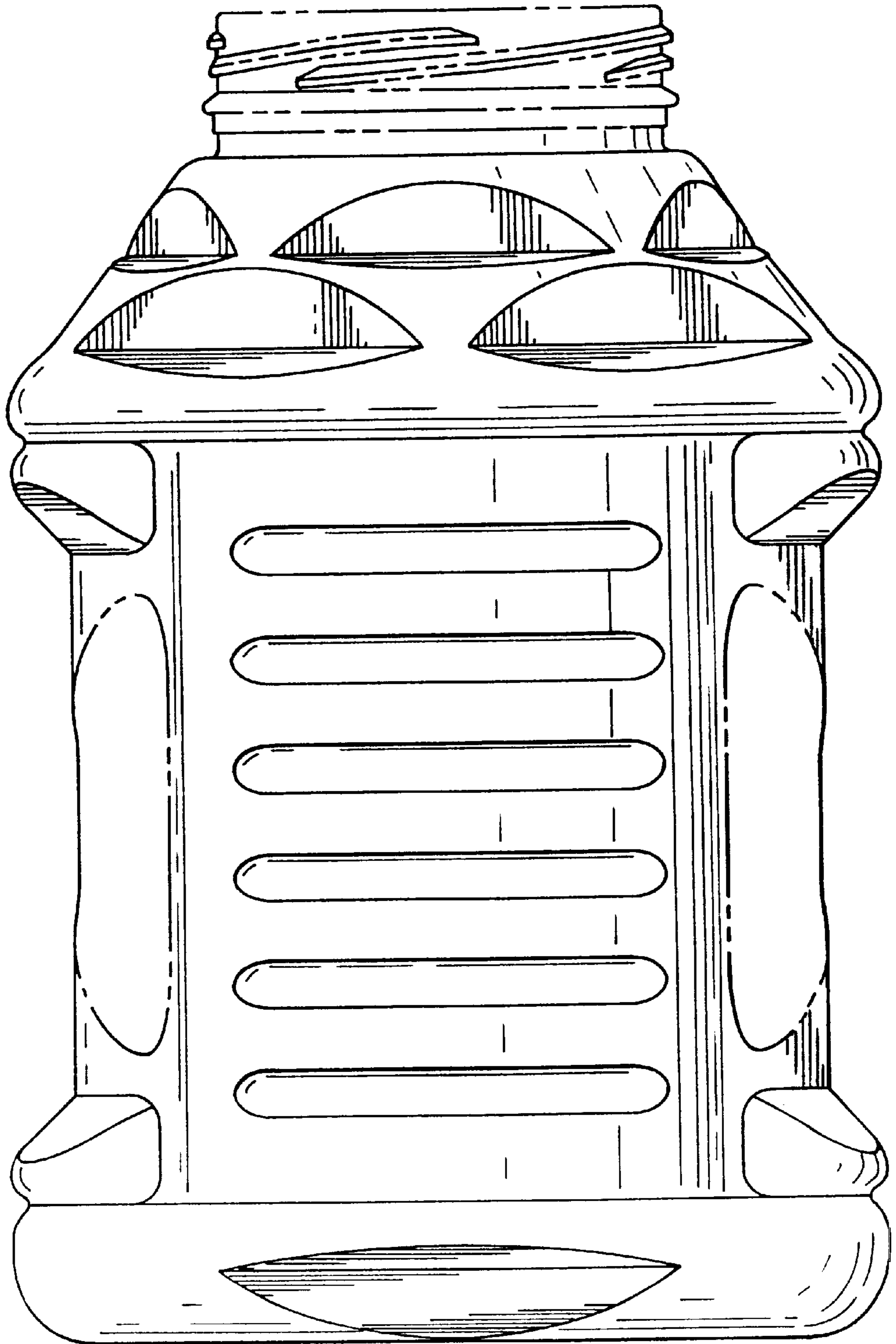


FIG. 3

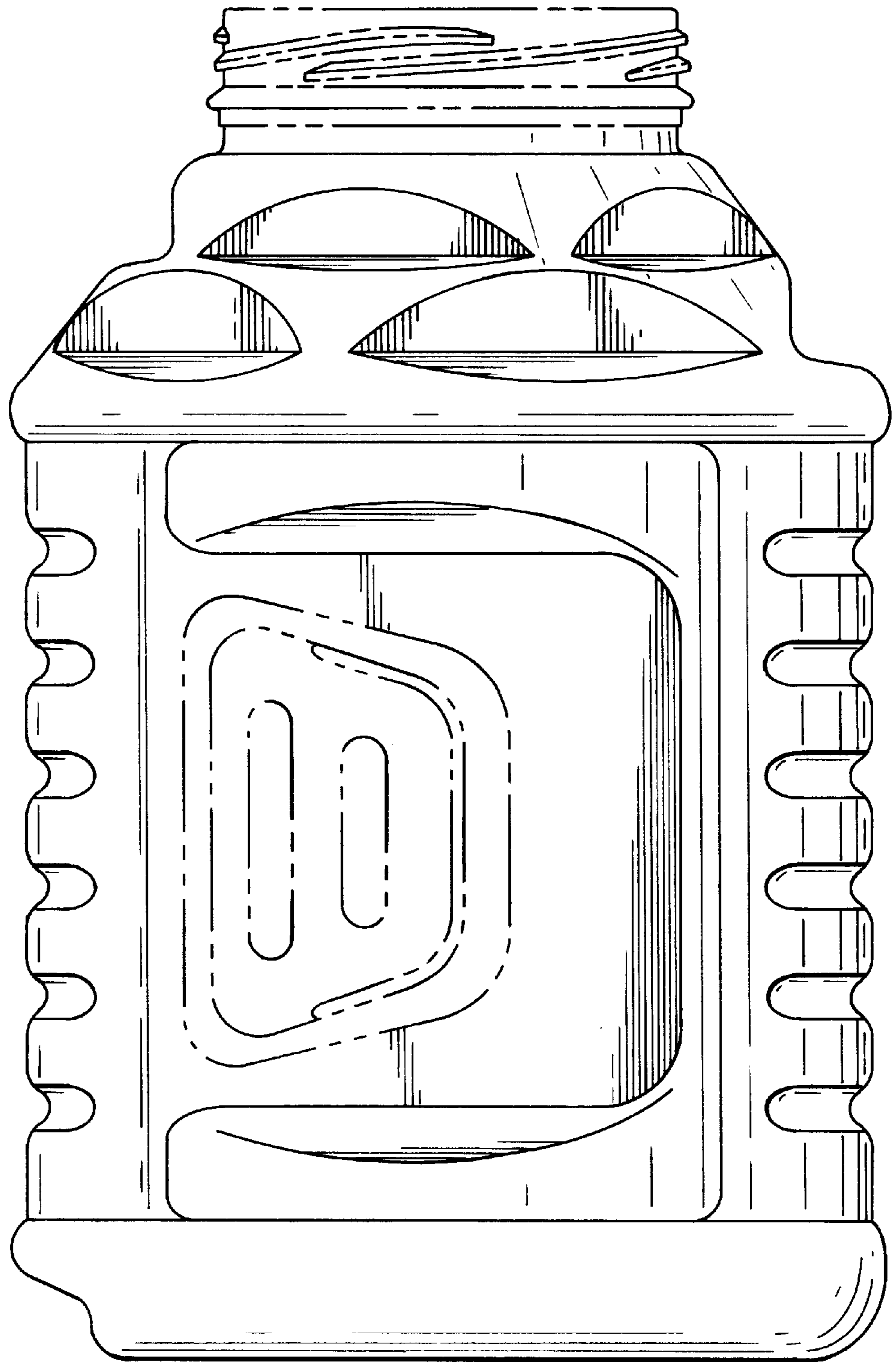


FIG. 4

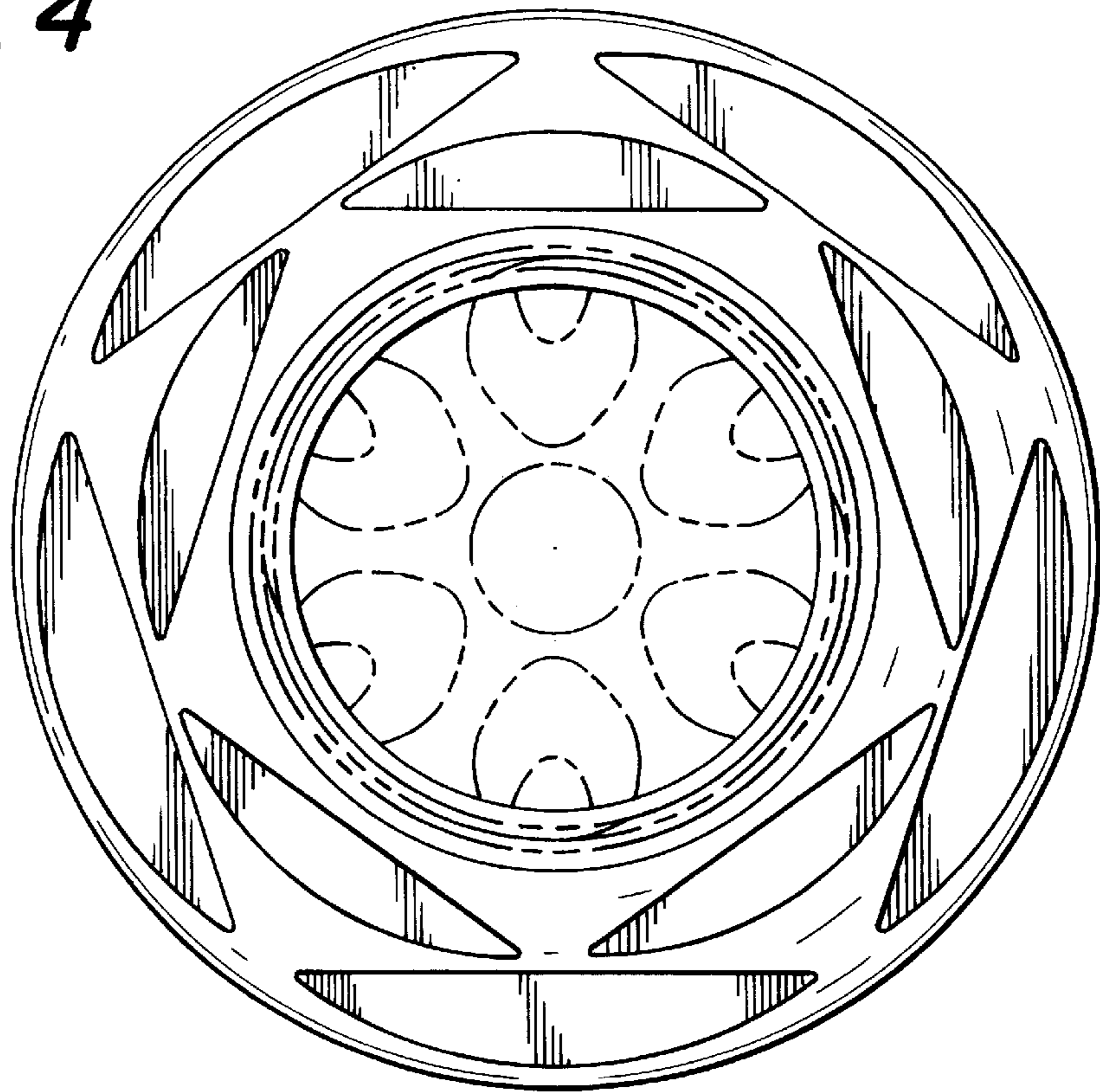


FIG. 5

