



US00D420589S

# United States Patent [19]

Baxter

[11] Patent Number: Des. 420,589

[45] Date of Patent: \*\* Feb. 15, 2000

[54] WINE STOPPER

[76] Inventor: James C. Baxter, 533 NE. 16th Ave., Fort Lauderdale, Fla. 33301

[\*\*] Term: 14 Years

[21] Appl. No.: 29/088,996

[22] Filed: Jun. 5, 1998

[51] LOC (7) Cl. .... 09-07

[52] U.S. Cl. .... D9/439

[58] Field of Search ..... D9/435, 439, 440, D9/545; 215/230, 355, 356, 357, 364

### [56] References Cited

#### U.S. PATENT DOCUMENTS

D. 224,668	8/1972	Burger, III	.....	D9/439	X
D. 240,022	5/1976	Laurizio	.....	D9/439	
1,614,236	1/1927	Druiff	.....	215/364	X
2,091,350	8/1937	Bomeisler et al.	.....	215/364	
2,114,797	4/1938	Fisher	.....	215/230	X
2,921,708	1/1960	Marcel	.....	215/230	
3,421,653	1/1969	Whaley	.....	215/230	X
4,106,656	8/1978	Babiol	.....	215/364	

Primary Examiner—Doris V. Coles

Assistant Examiner—Cathron B. Matta  
Attorney, Agent, or Firm—Malin, Haley, DiMaggio & Crosby, P.A.

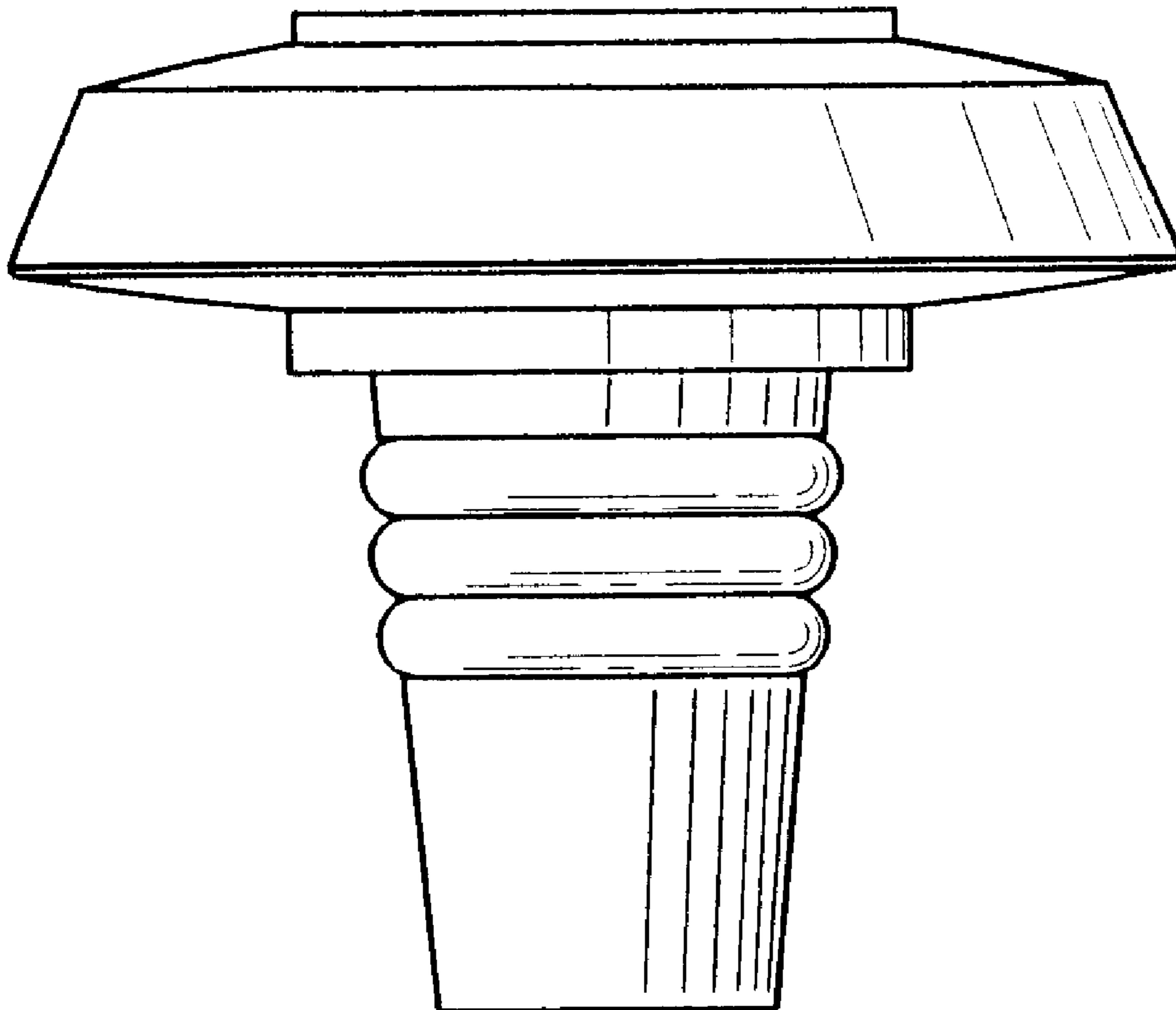
### [57] CLAIM

The ornamental design for wine stopper, as shown and described.

### DESCRIPTION

FIG. 1 is a top plan view of the wine stopper, showing the new design;  
 FIG. 2 is a bottom plan view thereof;  
 FIG. 3 is a front elevational view thereof; the rear, left side, and right side elevational views being identical thereto;  
 FIG. 4 is a top perspective view thereof;  
 FIG. 5 is a top plan view of an alternate embodiment thereof, illustrating exemplary logo placement;  
 FIG. 6 is a bottom plan view of that of FIG. 5;  
 FIG. 7 is a front elevational view of that of FIG. 5; the rear, left side, and right side elevational views being identical thereto; and,  
 FIG. 8 is a top perspective view of that of FIG. 5.  
 The broken line showing of indicia is for illustrative purposes only and forms no part of the claimed design.

1 Claim, 2 Drawing Sheets



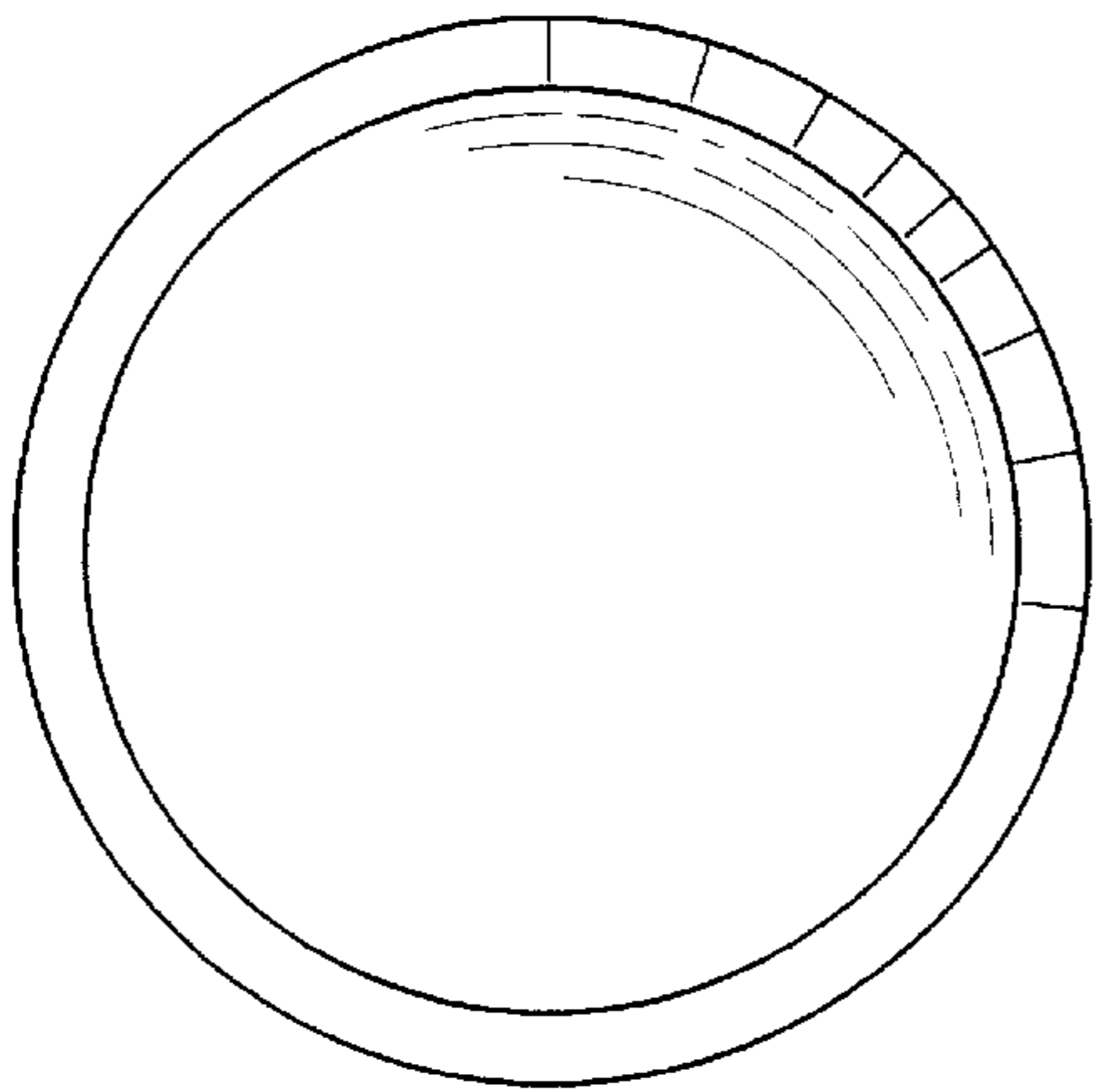


Fig. 1

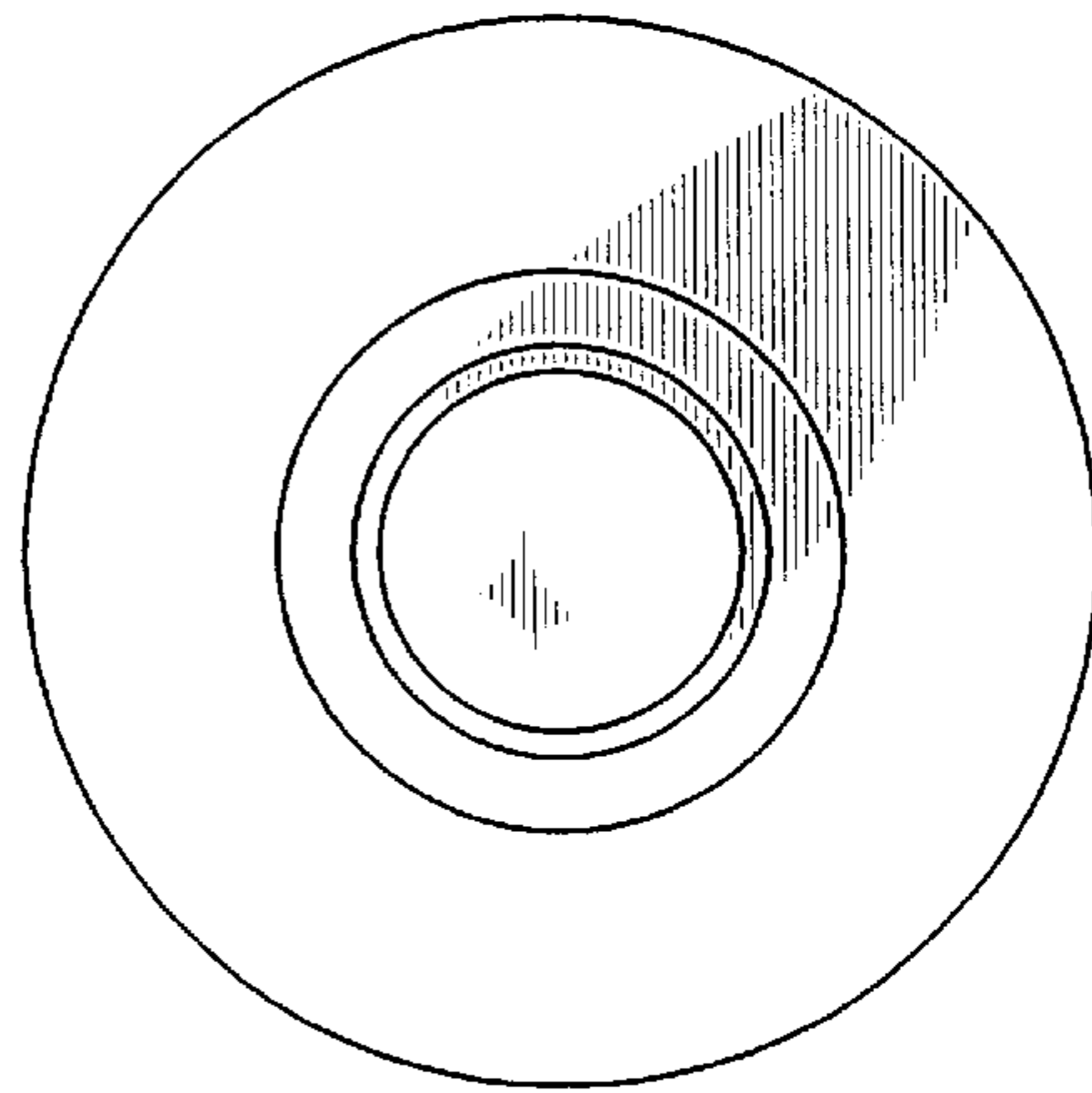


Fig. 2

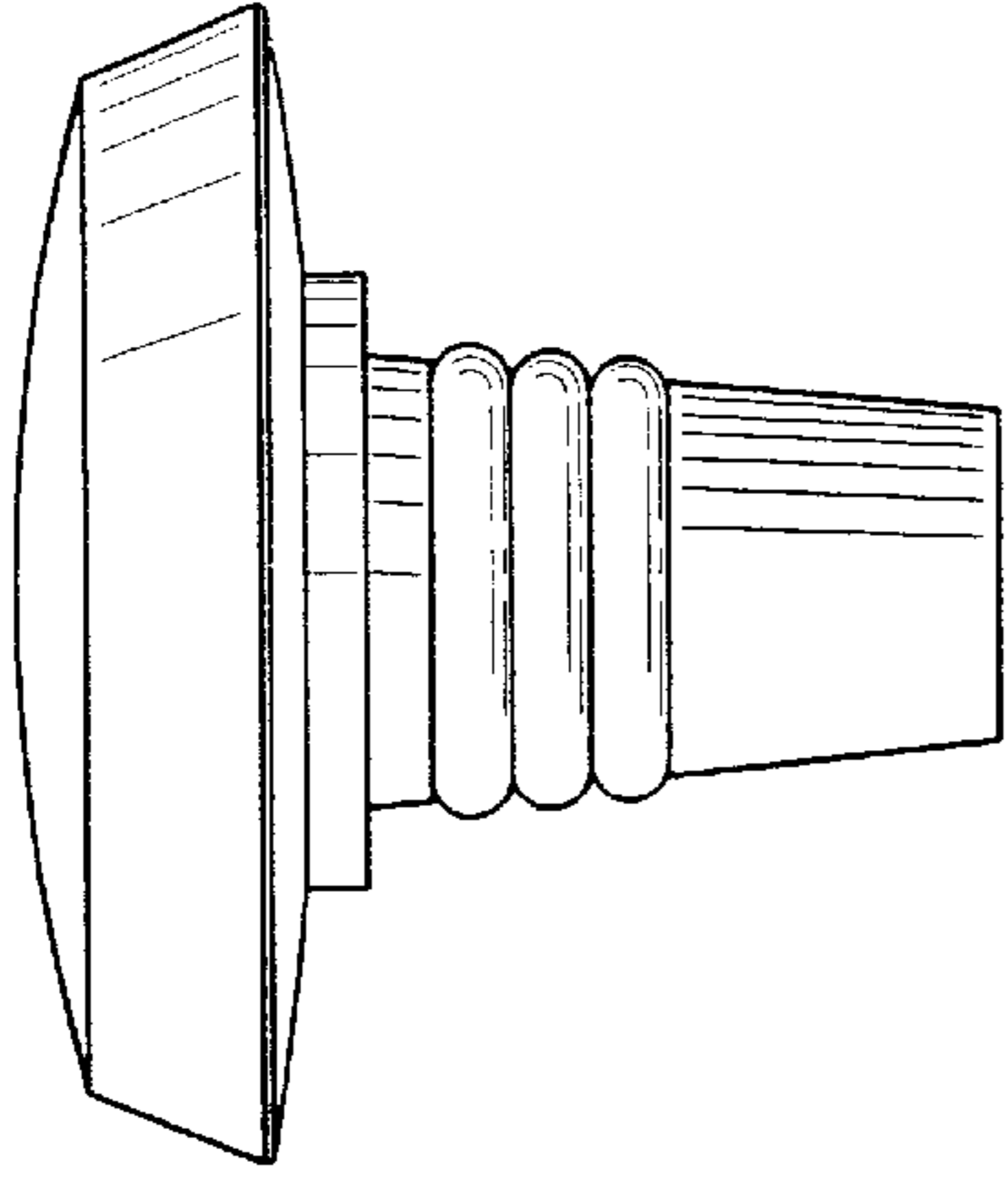


Fig. 3

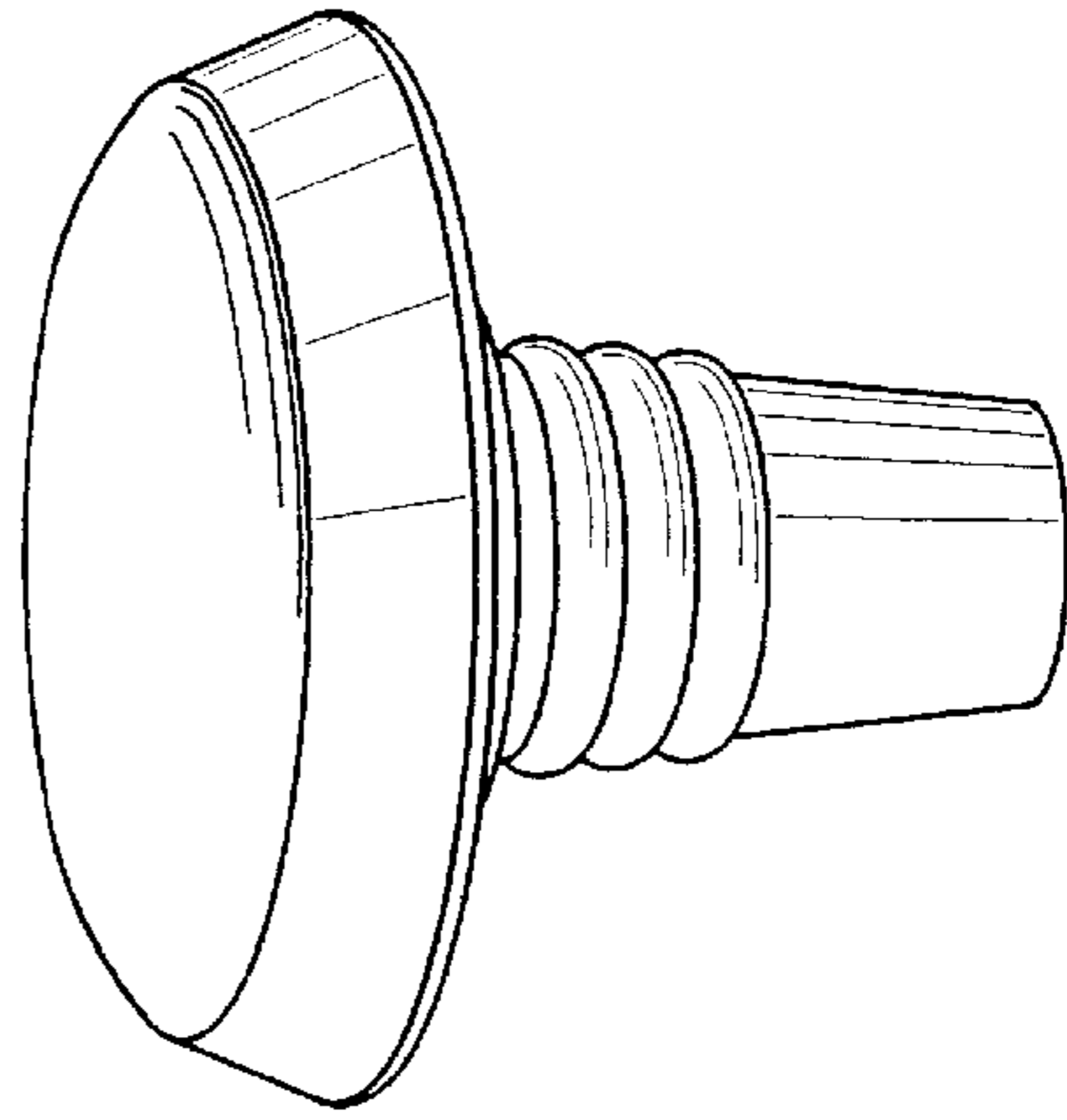


Fig. 4

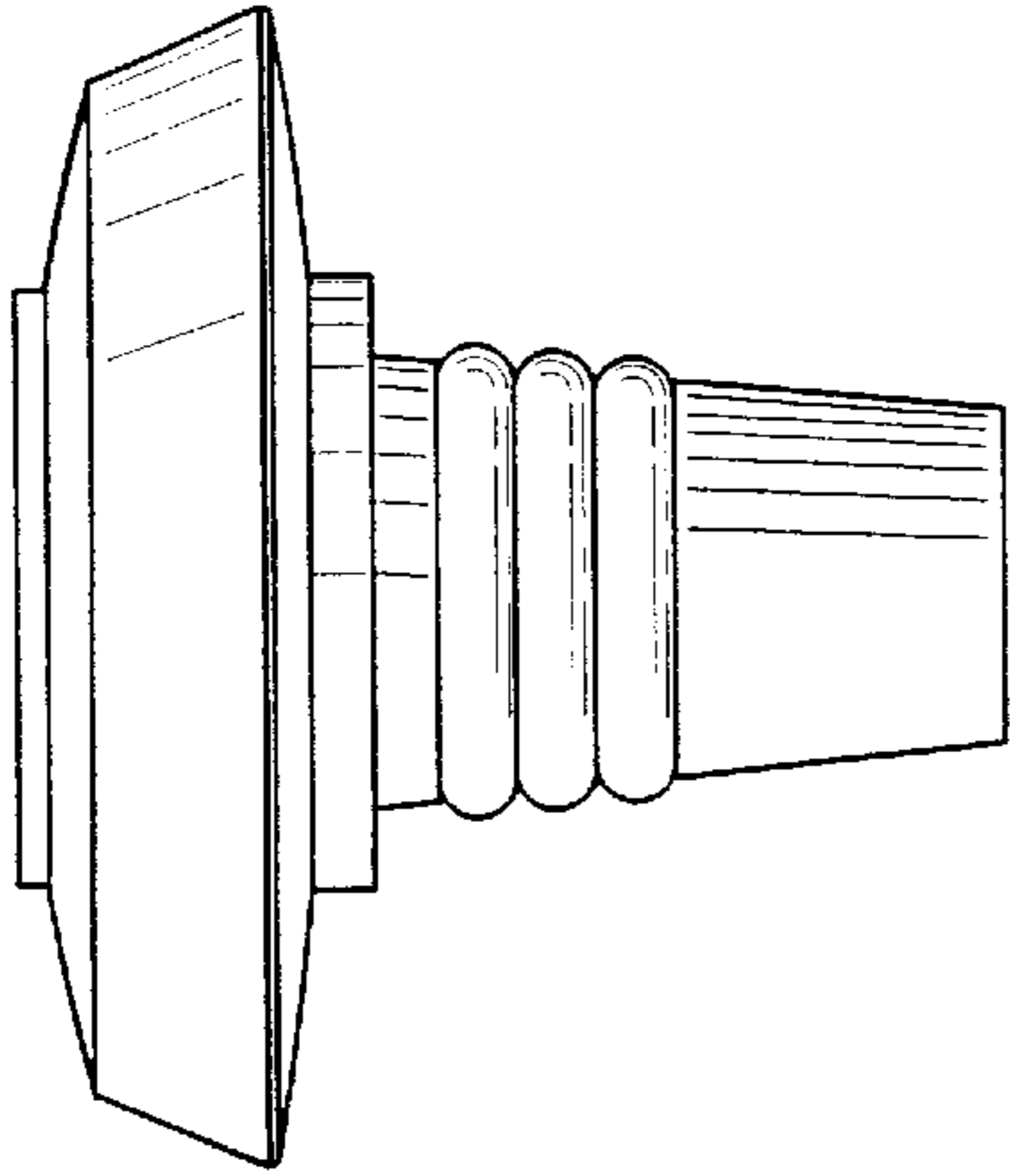


Fig. 7

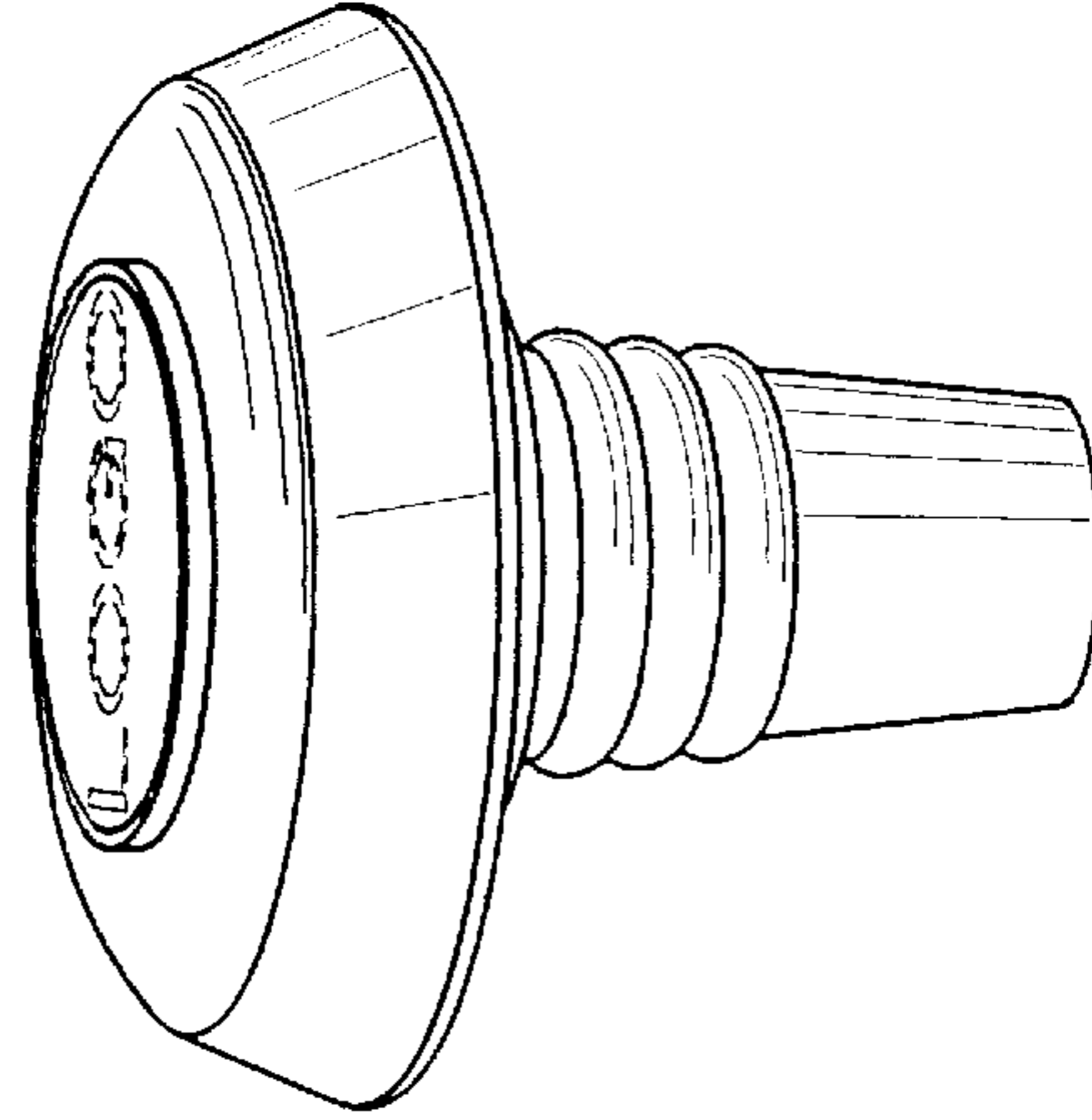


Fig. 8

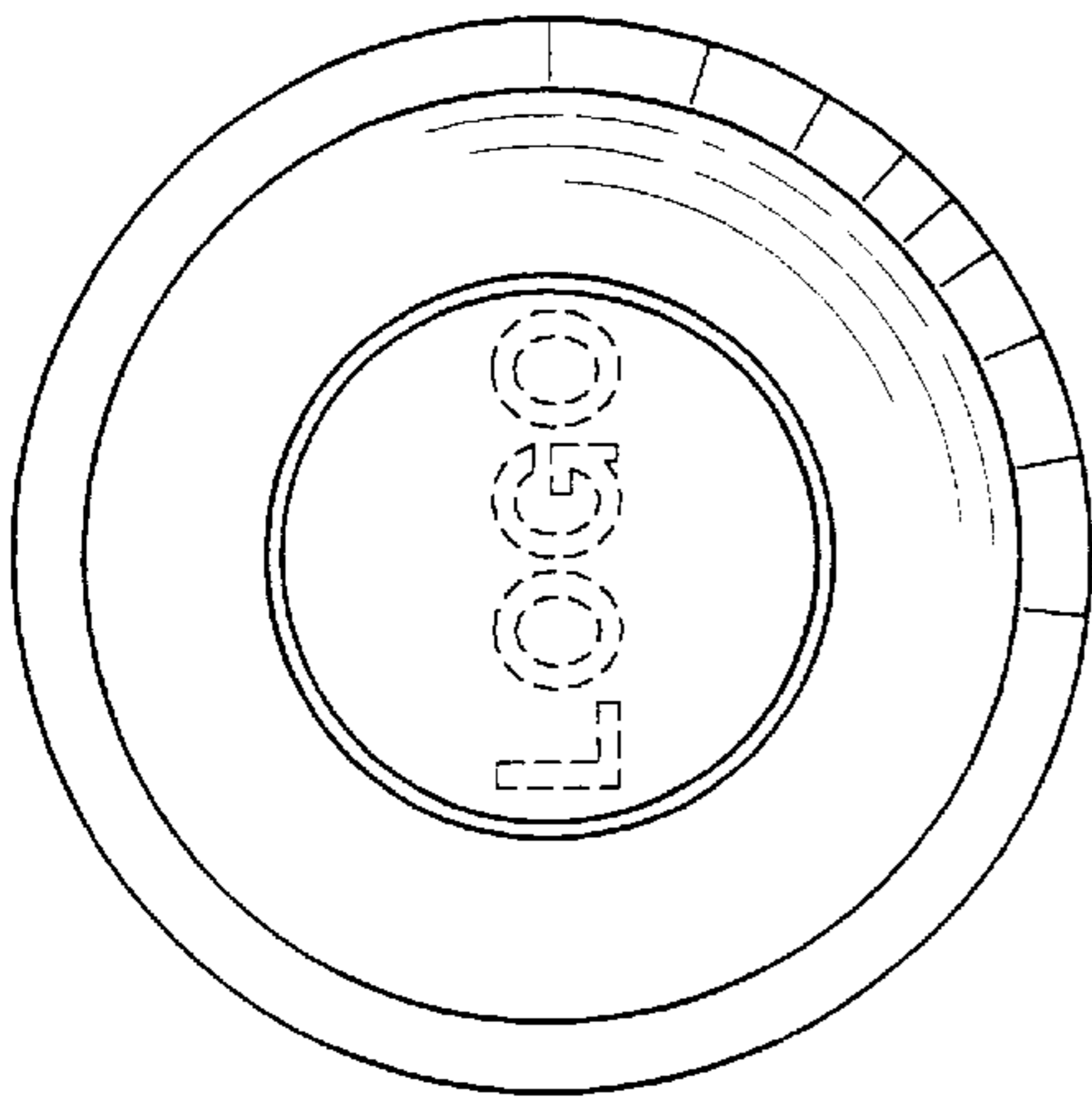


Fig. 5

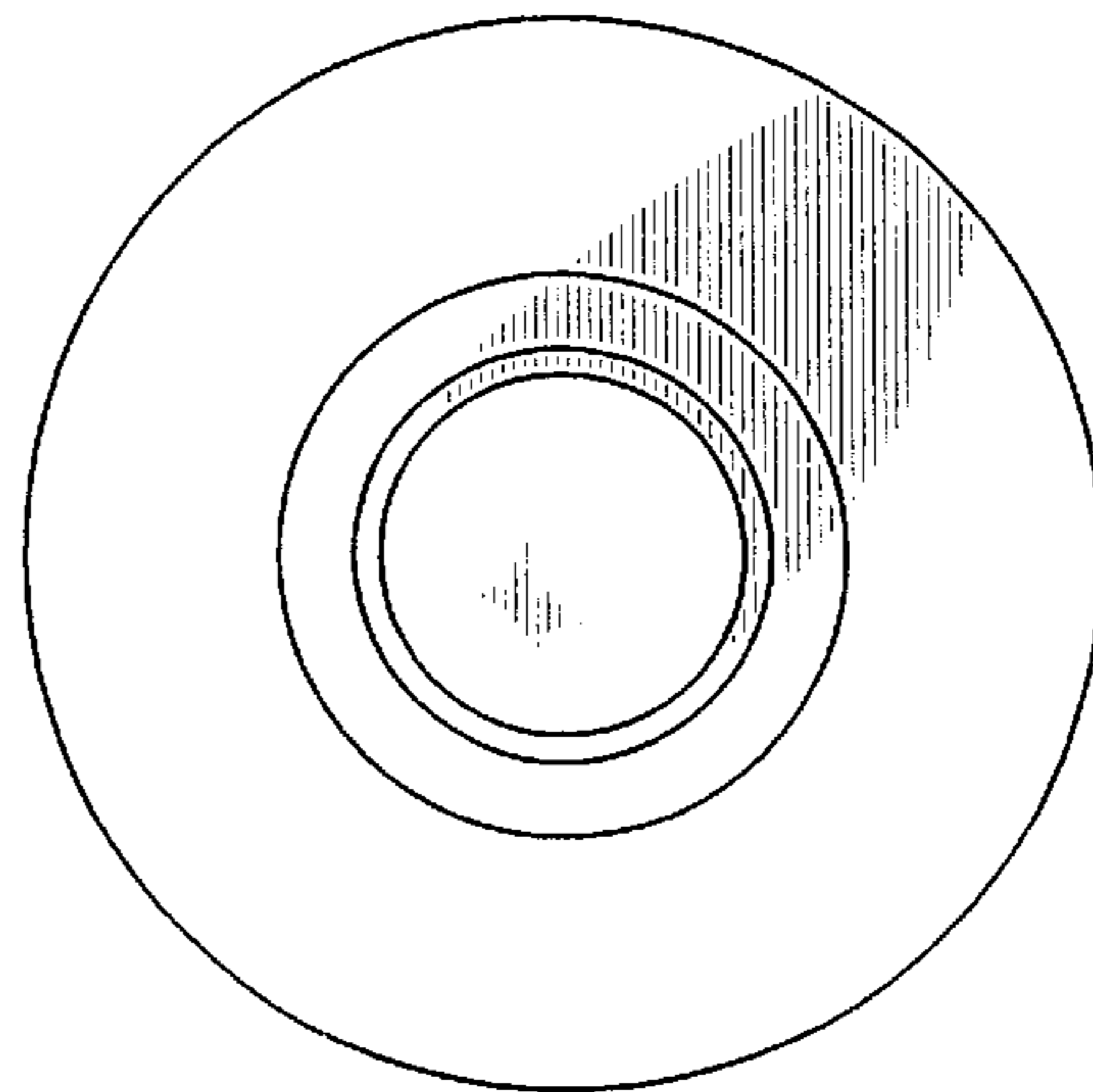


Fig. 6