



US00D420586S

United States Patent [19]
MacEachern et al.

[11] **Patent Number: Des. 420,586**

[45] **Date of Patent: ** Feb. 15, 2000**

[54] **VIDEO CASSETTE PACKAGE**

[76] Inventors: **N. Andrew MacEachern**, 5 Dumaaurier Blvd Apt. 220, Toronto, Ontario, Canada, M4N1V1; **Pradeep Agrawal**, 100 Milvan Drive, Weston, Ontario, Canada, M9L 1Z6

[**] Term: **14 Years**

[21] Appl. No.: **29/093,970**

[22] Filed: **Sep. 22, 1998**

Related U.S. Application Data

[60] Continuation-in-part of application No. 29/073,216, Jul. 2, 1997, abandoned, which is a division of application No. 29/043,079, Aug. 25, 1995, Pat. No. Des. 398,527.

[30] **Foreign Application Priority Data**

Feb. 27, 1995 [CA] Canada 1995-0477

[51] **LOC (7) Cl.** **09-03**

[52] **U.S. Cl.** **D9/432; D9/420**

[58] **Field of Search** D9/341, 346, 414, D9/420, 423, 432, 433; 220/4.23; D3/18, 20; 206/387.1, 387.13, 457, 472

[56] **References Cited**

U.S. PATENT DOCUMENTS

- D. 268,098 3/1983 Brown D9/432 X
- D. 324,337 3/1992 Brady D9/341 X
- D. 339,063 9/1993 Simon D9/433
- D. 372,670 8/1996 Healy D9/346
- 3,583,729 6/1971 DeGroot 206/387.13 X
- 3,640,379 2/1972 Weingarden 206/387.13
- 4,433,780 2/1984 Ellis 206/232
- 4,718,550 1/1988 Johnson 206/472 X
- 4,951,814 8/1990 Belmont 206/472 X

- 4,977,483 12/1990 Perretta 206/472 X
- 5,078,268 1/1992 Olson et al. 206/387
- 5,562,207 10/1996 O'Brien et al. 206/387.13 X

FOREIGN PATENT DOCUMENTS

- 5213387 8/1993 Japan 206/308.1
- 2208288 3/1989 United Kingdom 206/387.13

OTHER PUBLICATIONS

Simon and Schuster Audio Works, Audio Cassette Container, 1992.

Primary Examiner—Doris V. Coles
Assistant Examiner—Linda Brooks
Attorney, Agent, or Firm—Huntley & Associates

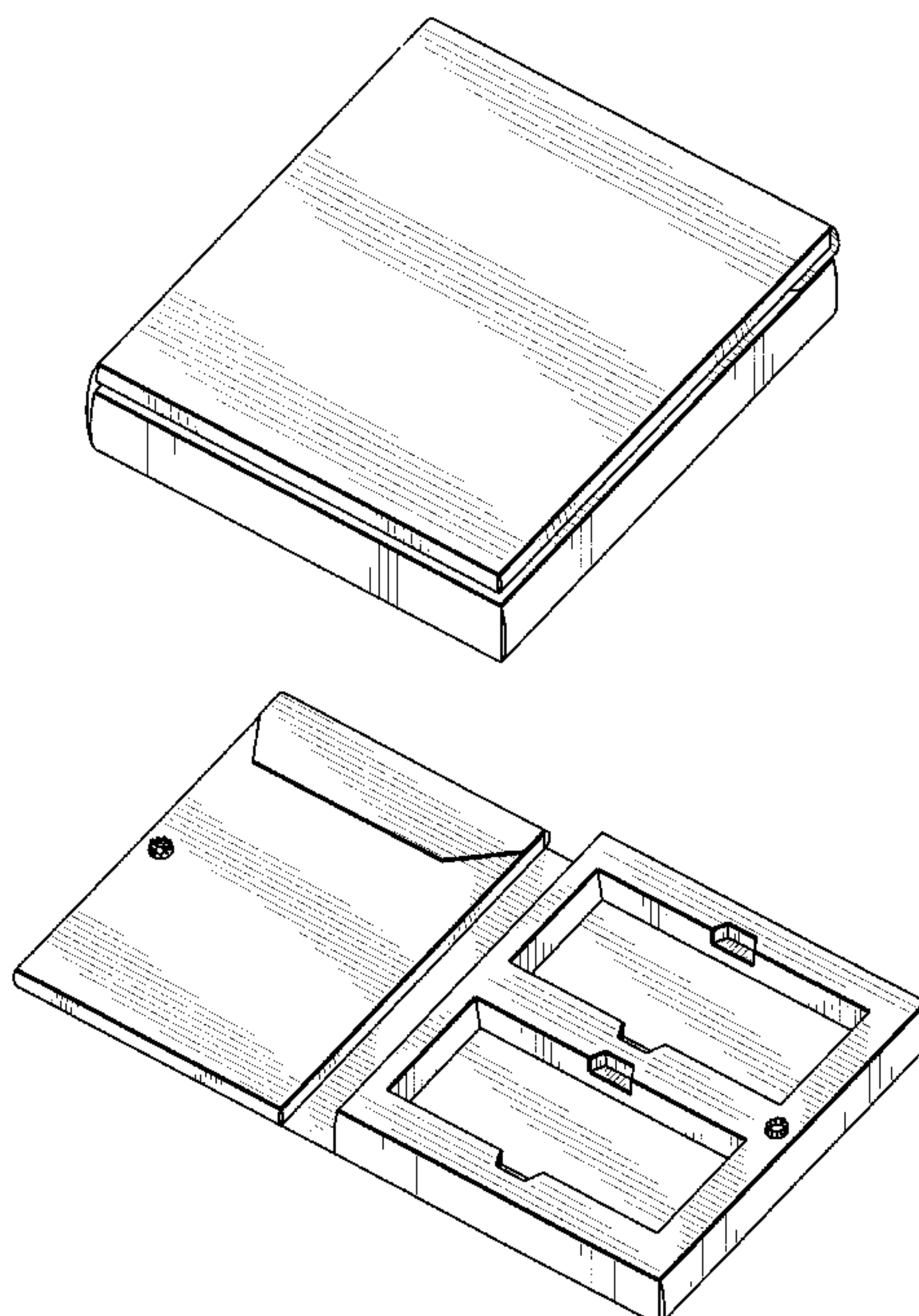
[57] **CLAIM**

The ornamental design for a video cassette package, as shown and described.

DESCRIPTION

FIG. 1 is a perspective view of a closed video cassette package showing our new design;
 FIG. 2 is a perspective view thereof, shown in an opened position;
 FIG. 3 is a perspective view thereof, shown in an opened position;
 FIG. 4 is a perspective view of a first alternate embodiment of our new design, shown in an open position;
 FIG. 5 is a front elevational view of the embodiment shown in FIG. 2; and,
 FIG. 6 is a perspective view of a second alternative embodiment of our new design as shown in FIG. 2, the only difference being the decreased number and alternate position of the receptacle.
 The undisclosed views of the videocassette package form no part of the claimed design.

1 Claim, 3 Drawing Sheets



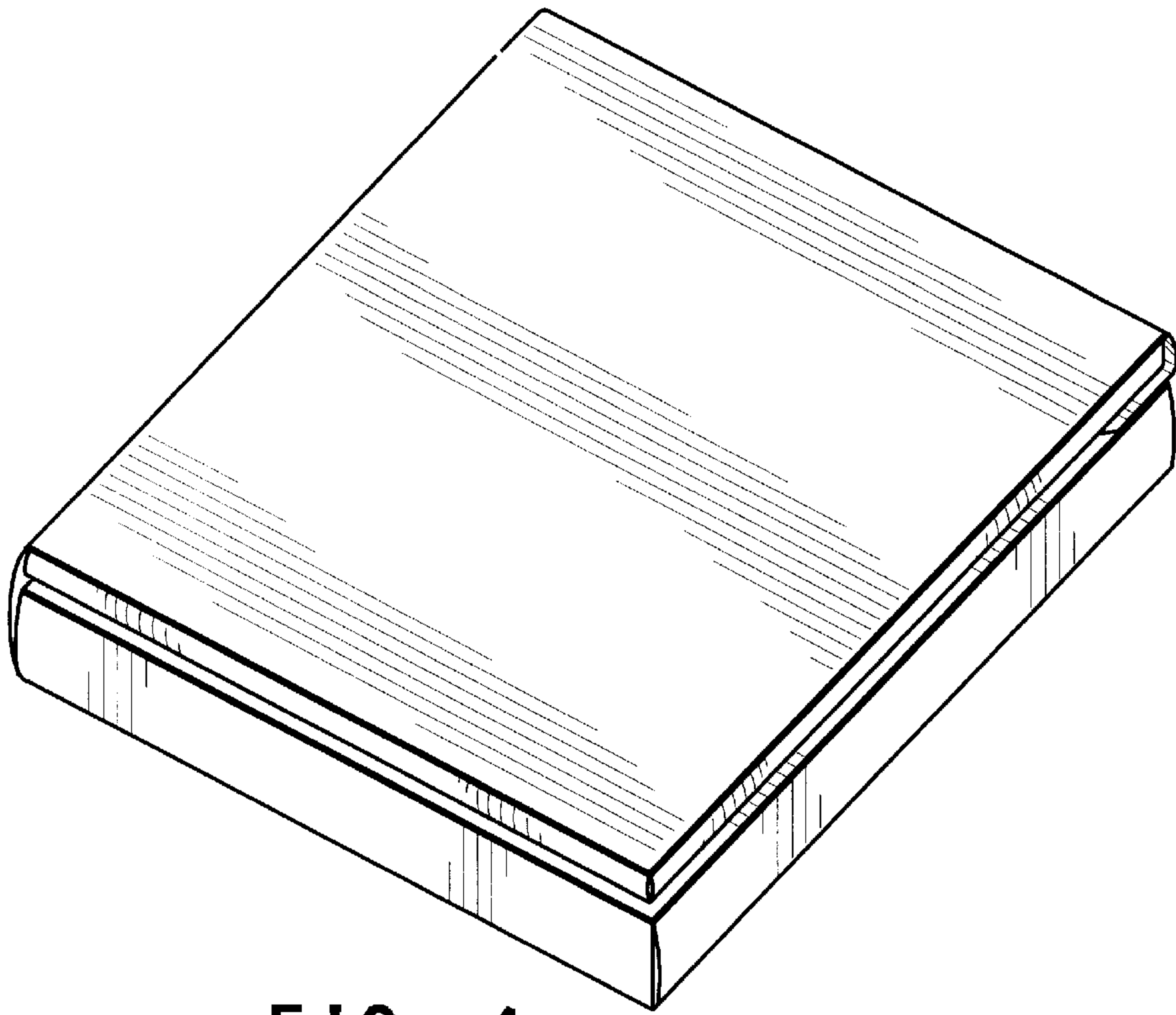


FIG. 1

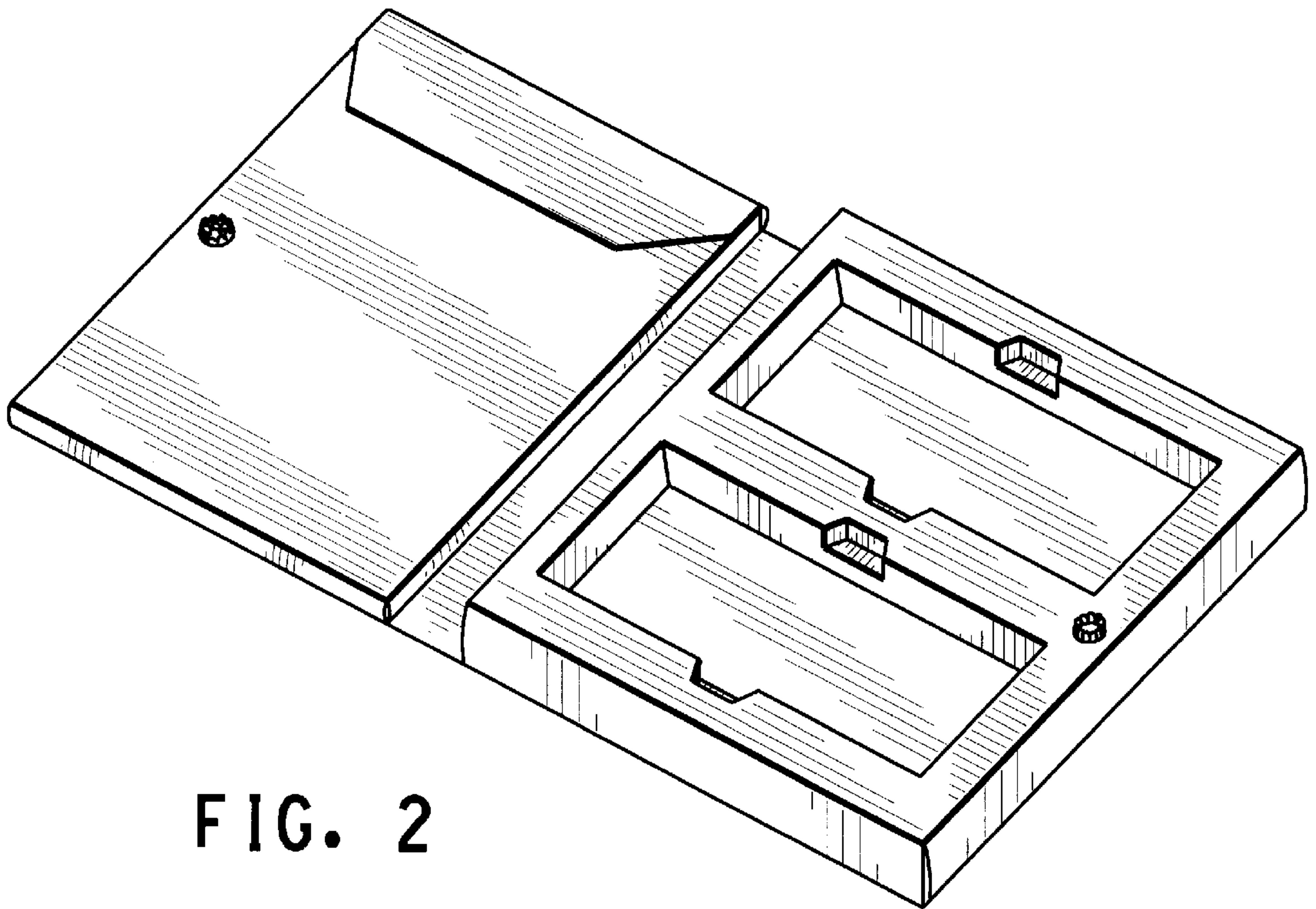


FIG. 2

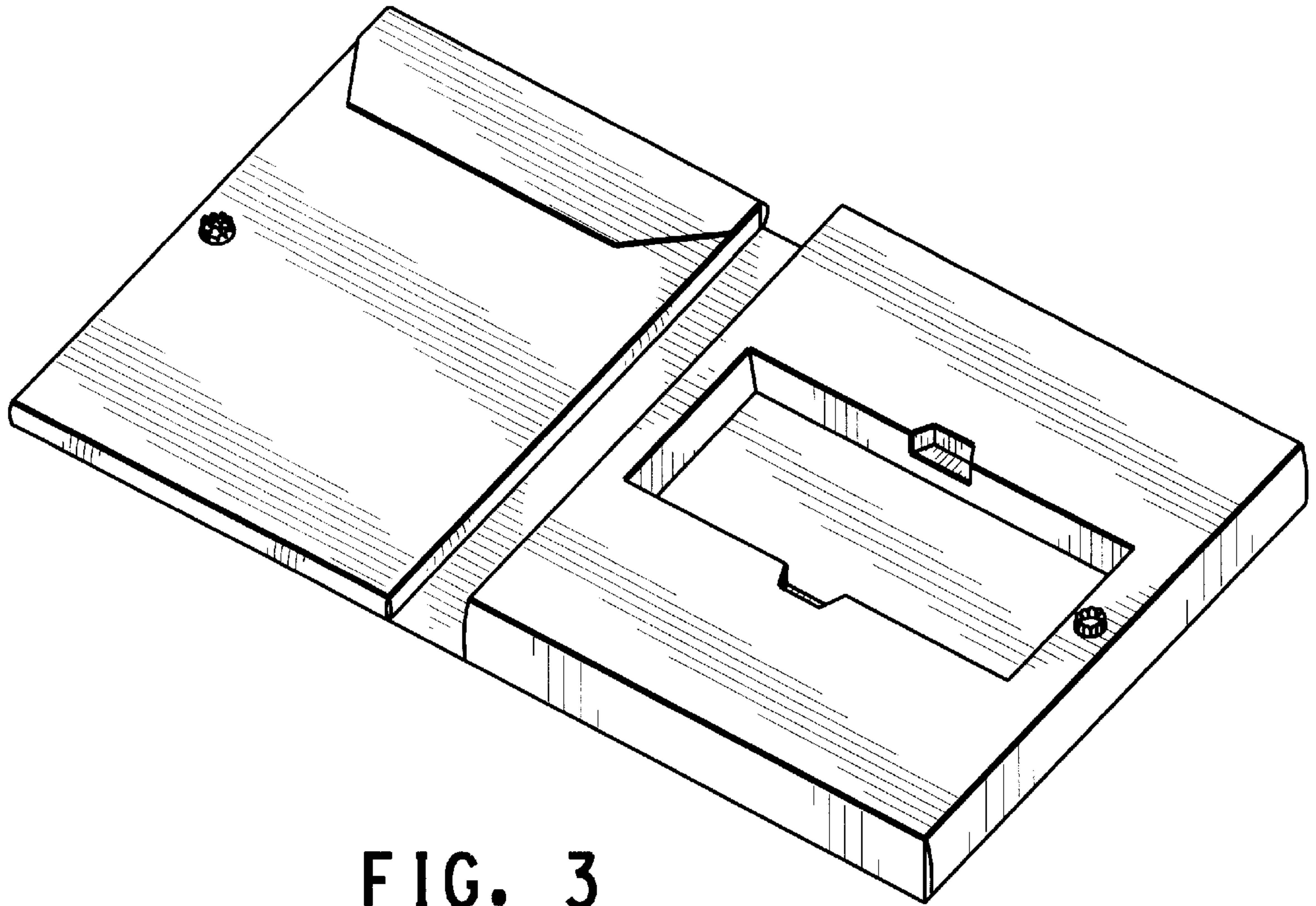


FIG. 3



FIG. 4

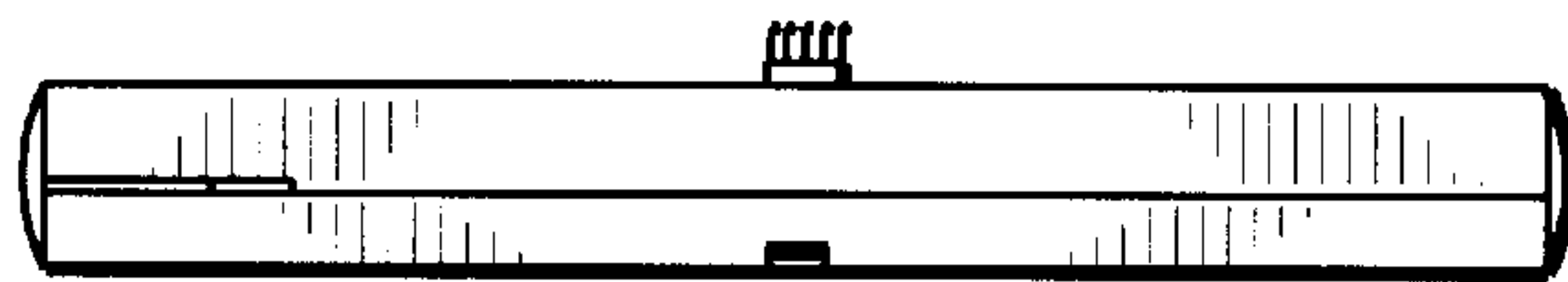


FIG. 5

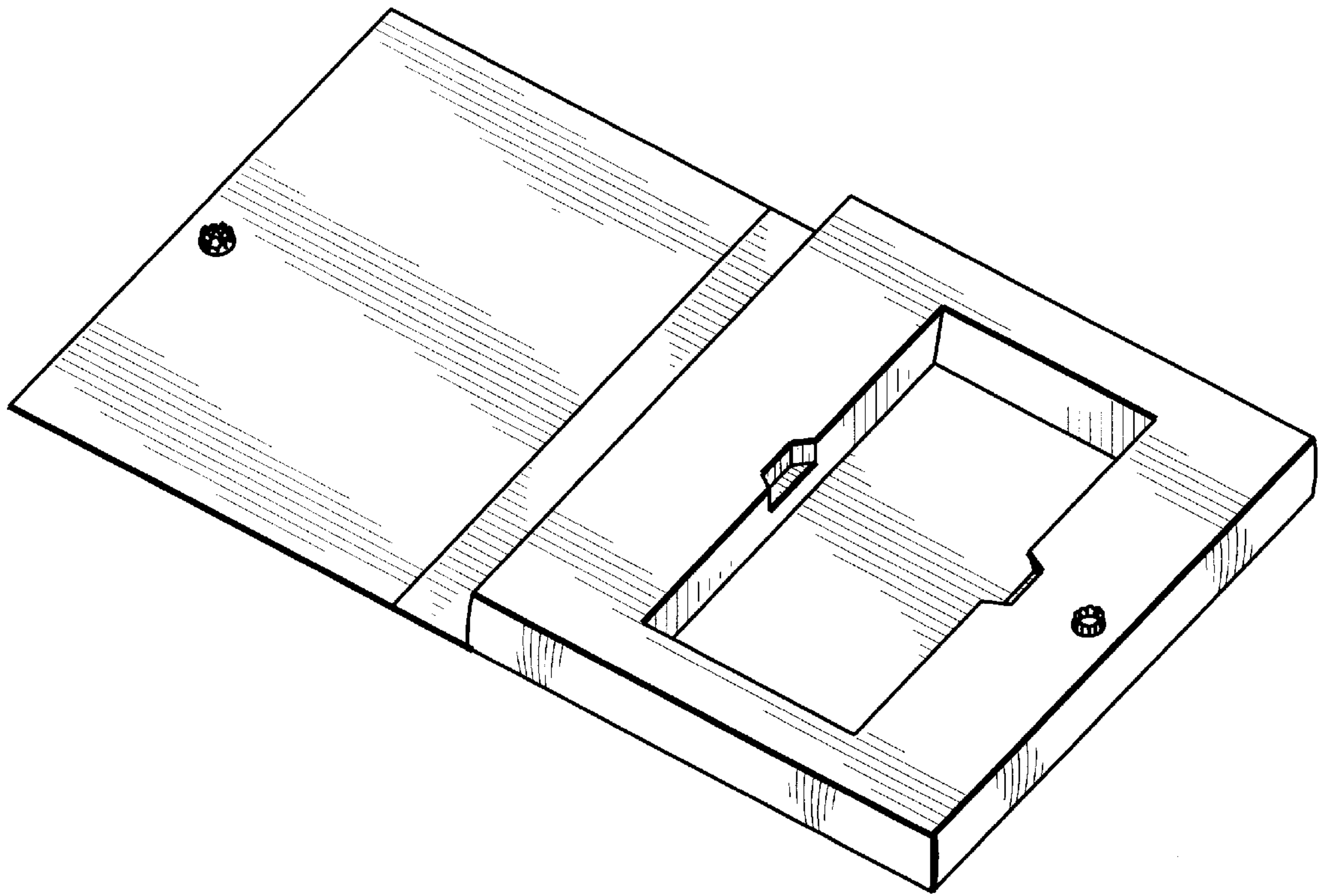


FIG. 6