



US00D420585S

# United States Patent [19] Guillin

[11] **Patent Number: Des. 420,585**  
[45] **Date of Patent: \*\* Feb. 15, 2000**

[54] **FOOD BOX**

[75] Inventor: **Francois Guillin**, Mouthier Haute  
Pierre, France

[73] Assignee: **Groupe Guillin (Societe Anonyme)**,  
Ornans, France

[\*\*] Term: **14 Years**

[21] Appl. No.: **29/101,128**

[22] Filed: **Feb. 24, 1999**

### Related U.S. Application Data

[62] Division of application No. 29/075,242, Aug. 27, 1997, Pat.  
No. Des. 409,911.

### [30] Foreign Application Priority Data

Mar. 5, 1997 [XH] Hague Agreement ..... DM/039 433

[51] **LOC (7) Cl.** ..... **09-07**

[52] **U.S. Cl.** ..... **D9/430; D9/425**

[58] **Field of Search** ..... D9/420-426, 430,  
D9/431, 337, 414; D7/629; 206/541, 551,  
508, 518, 521, 523, 524, 822, 775-778;  
229/406, 407, 902, 905, 906, 938, 915,  
115, 116; 220/4.21-4.24, 781, 782, 783,  
376, 796; 426/106

### [56] References Cited

#### U.S. PATENT DOCUMENTS

- D. 57,707 4/1921 Morrison ..... D9/430 X
- D. 309,105 7/1990 Fisher et al. .
- D. 312,423 11/1990 Orlinky et al. .
- D. 314,145 1/1991 Niemetz .
- D. 328,426 8/1992 Berzon ..... D9/430
- D. 341,539 11/1993 Davis et al. .... D9/430

- D. 375,259 11/1996 Whitehead .
- D. 376,758 12/1996 Bradfield .
- 3,511,433 5/1970 Andrews et al. .... 220/4.23
- 3,620,411 11/1971 Rump .
- 4,244,470 1/1981 Burnham .
- 4,373,636 2/1983 Hoffman ..... 206/551
- 4,947,993 8/1990 Bruml et al. .
- 5,012,971 5/1991 Cozzi et al. .... 229/406 X
- 5,269,430 12/1993 Schlaupitz et al. .
- 5,607,709 3/1997 Fritz et al. .... 426/106

### OTHER PUBLICATIONS

Tenneco Packaging Catalog, pp. 20 and 66, May 1996.  
Tenneco Packaging Cat., p. 102, 1996.  
Modern Packaging Cat., p. 318, 1967.

*Primary Examiner*—Prabhakar Deshmukh  
*Attorney, Agent, or Firm*—Young & Thompson

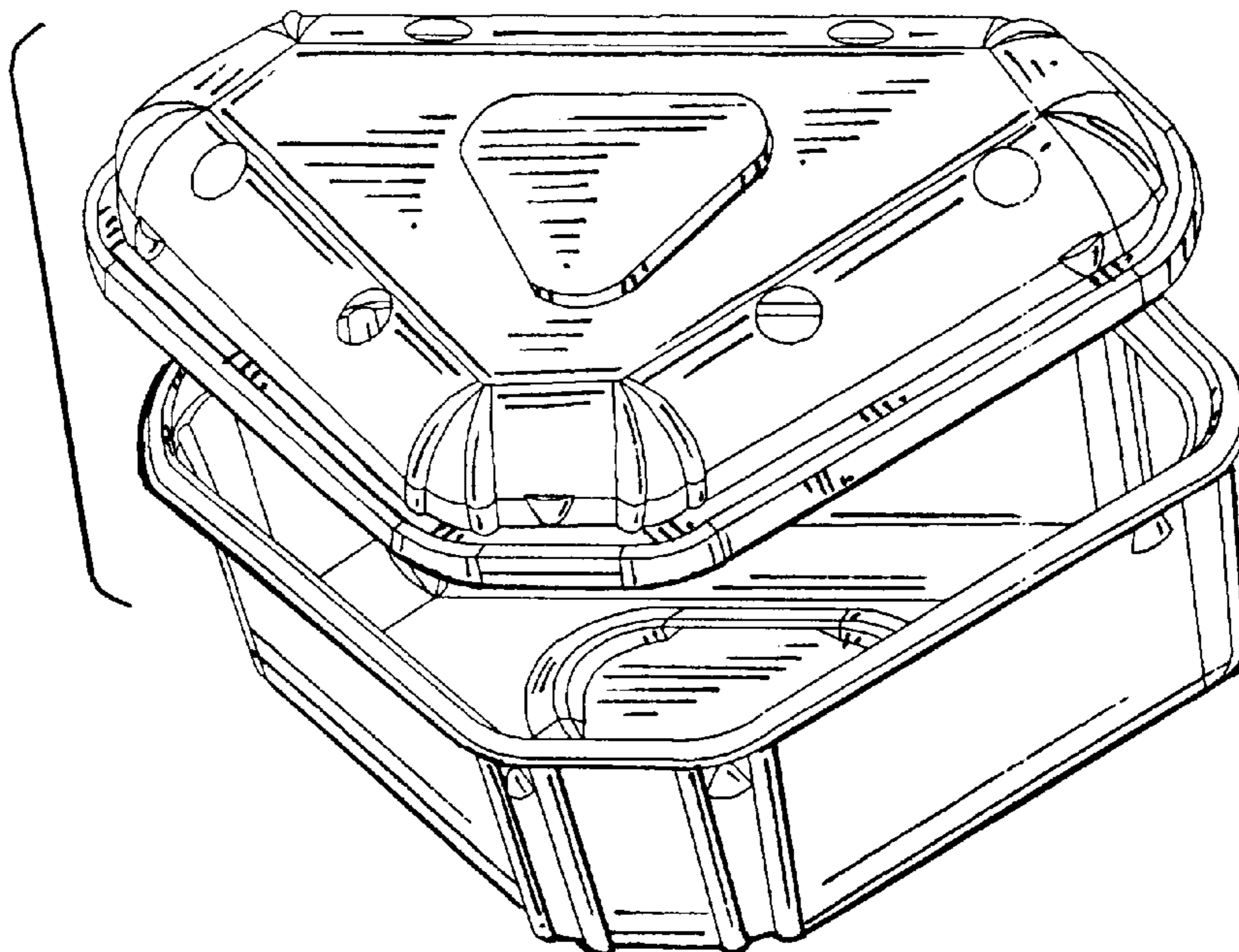
### [57] CLAIM

The ornamental design for a food box, as shown and described.

### DESCRIPTION

FIG. 1 is a perspective view of a first embodiment of a food box, showing my new design, with the lid raised;  
FIG. 2 is a top plan view thereof;  
FIG. 3 is a bottom plan view thereof;  
FIG. 4 is a side elevational view thereof from the bottom of FIG. 2;  
FIG. 5 is a side elevational view thereof from the top of FIG. 2;  
FIG. 6 is a side elevational view thereof from the right of FIG. 2; and,  
FIG. 7 is a side elevational view thereof from the left of FIG. 2.  
In FIGS. 2-7, the lid is closed.

**1 Claim, 2 Drawing Sheets**



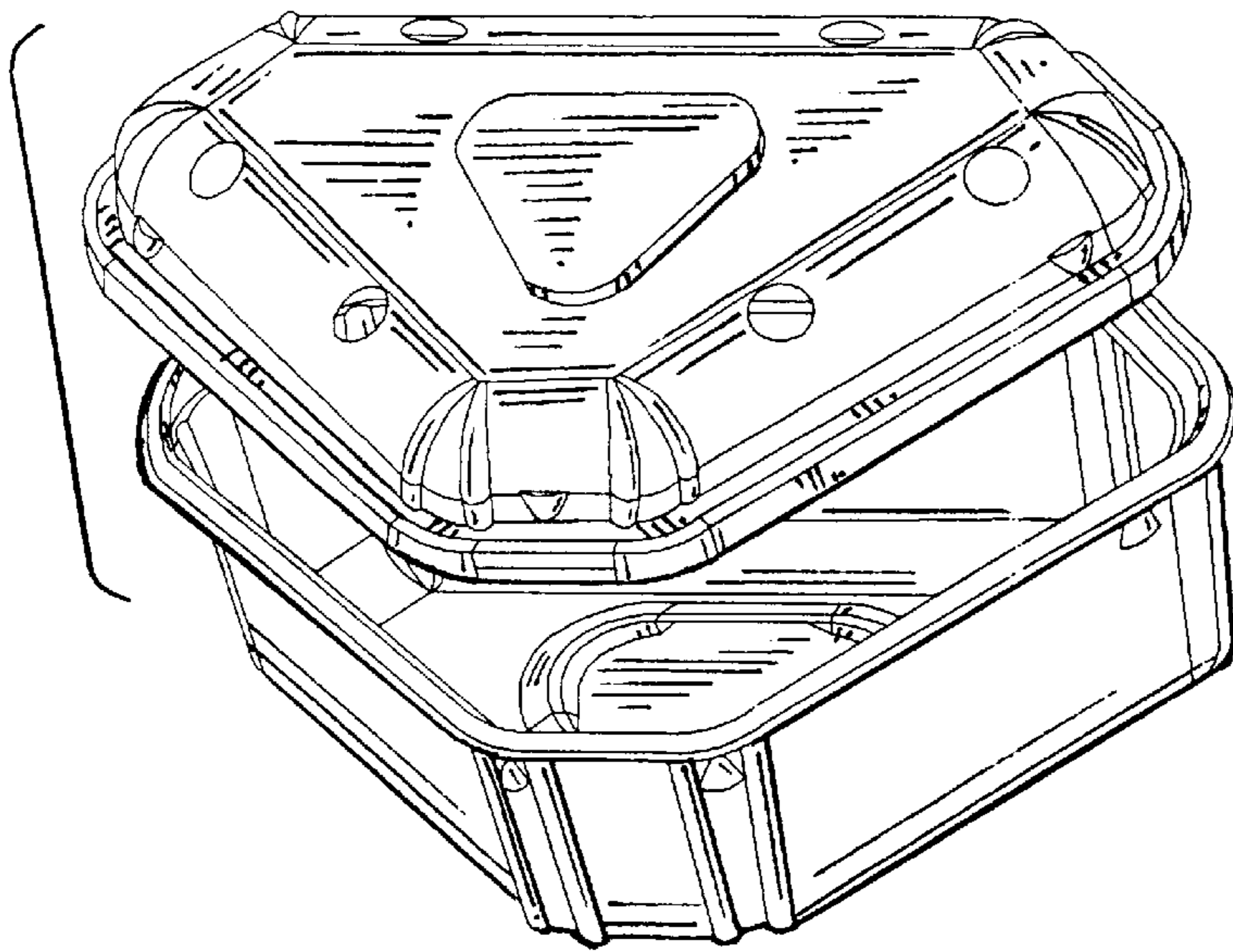


FIG. 1

FIG. 2

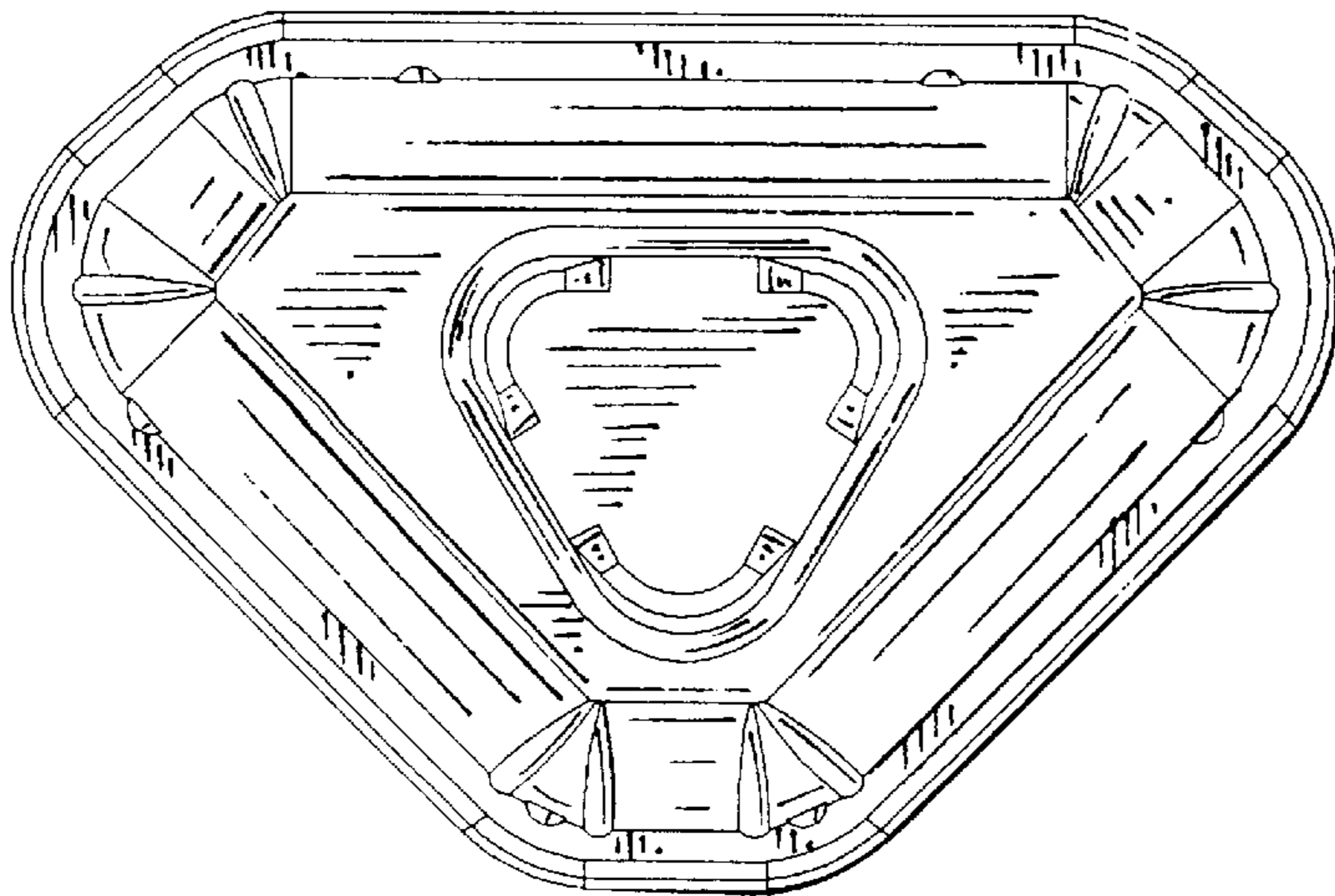
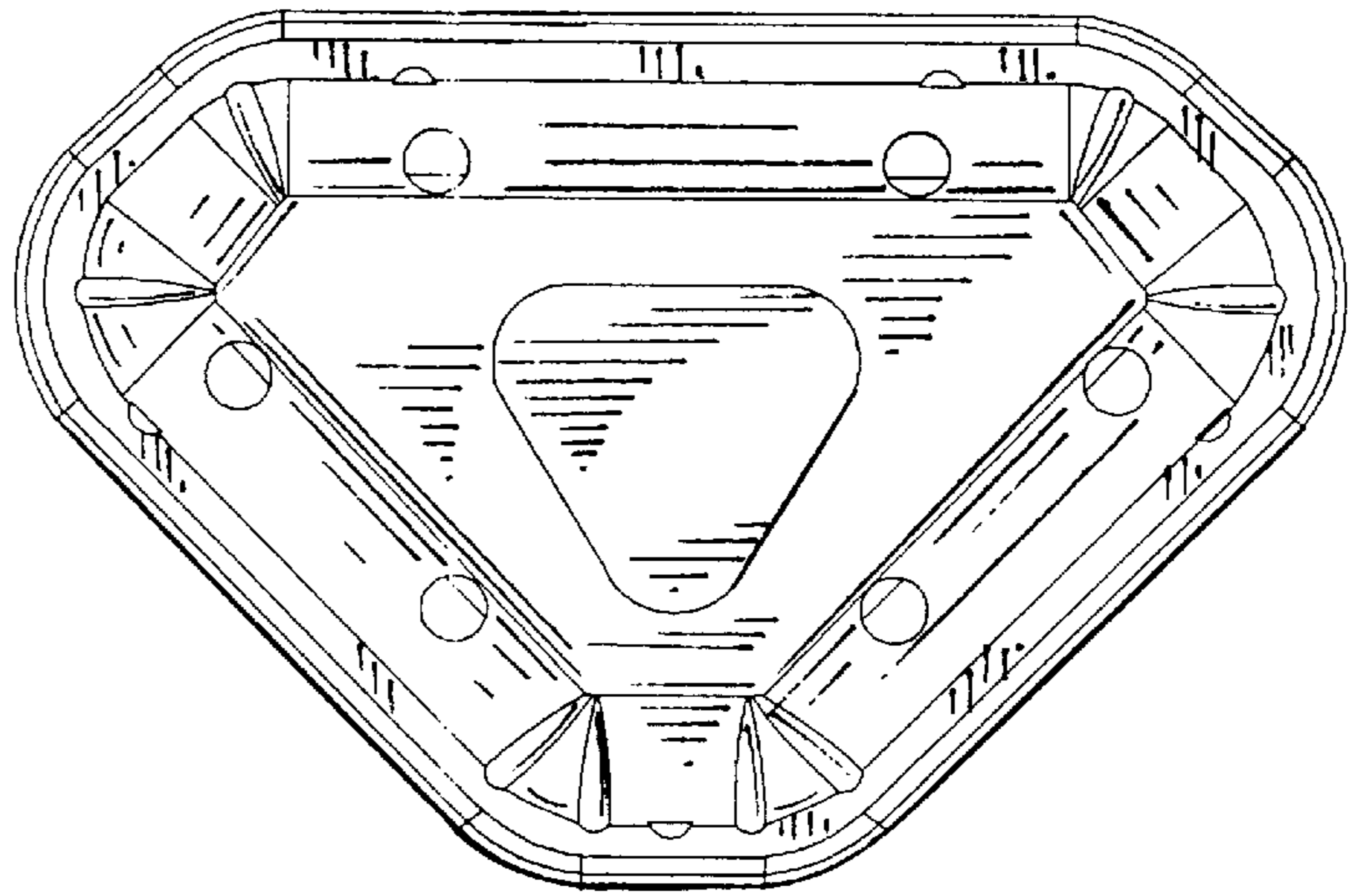


FIG. 3

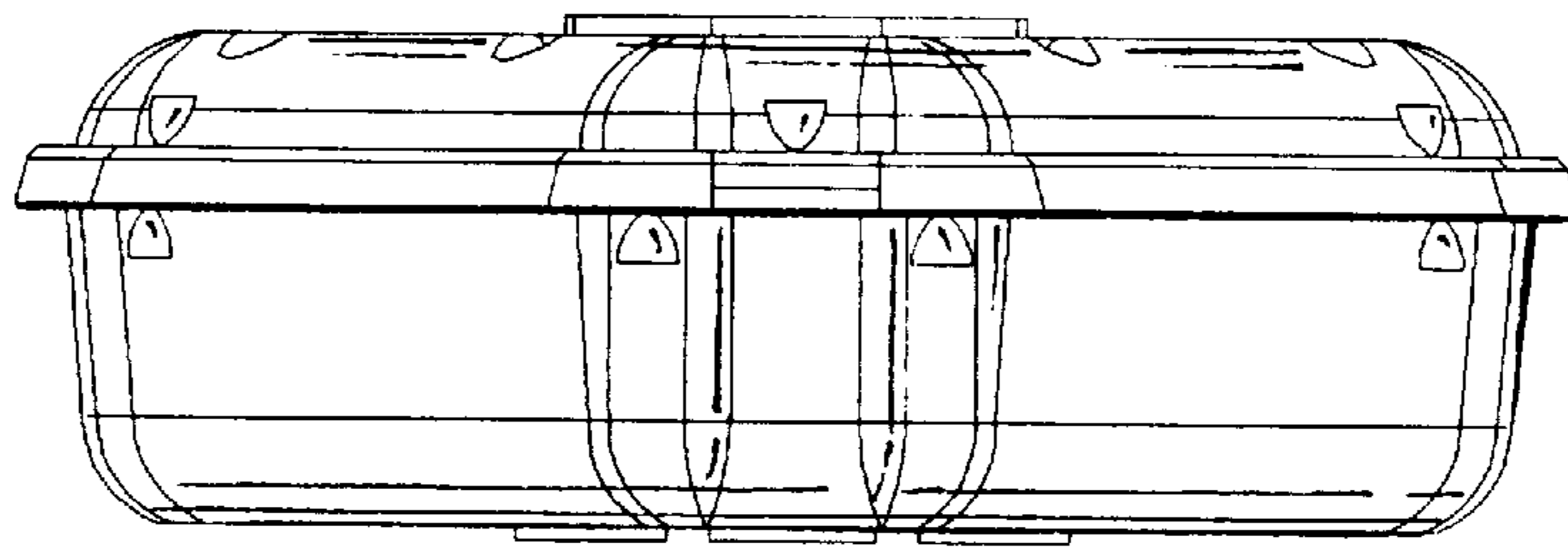


FIG. 4

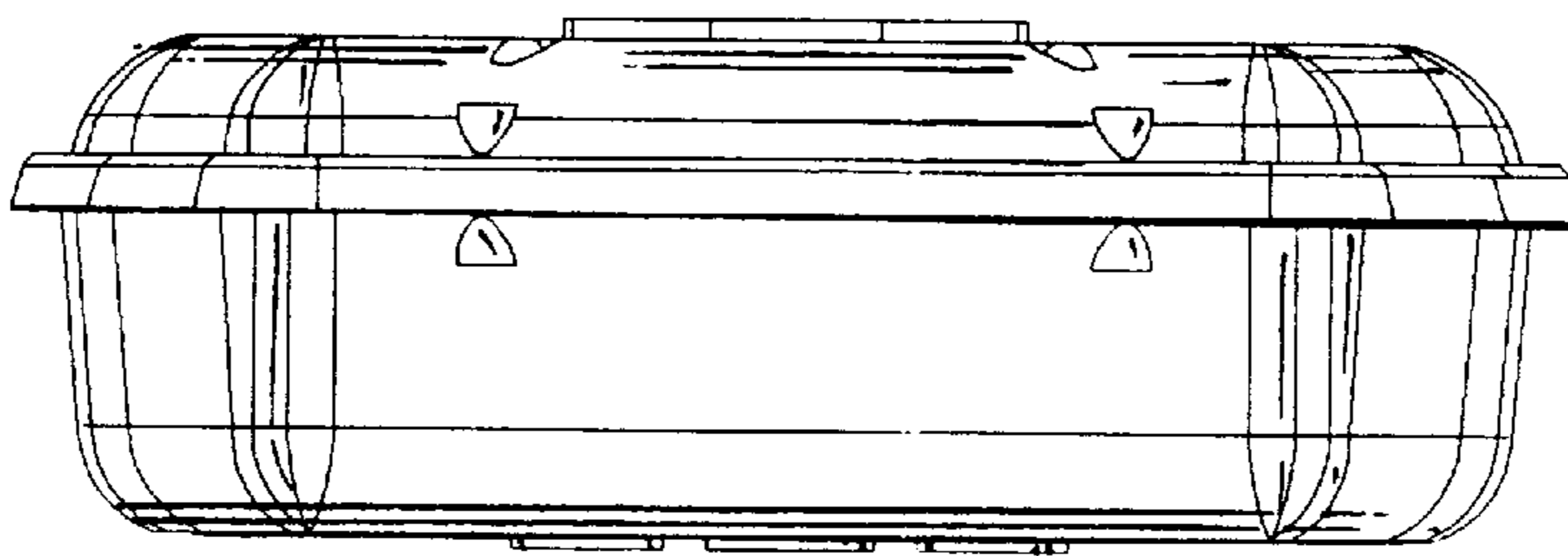


FIG. 5

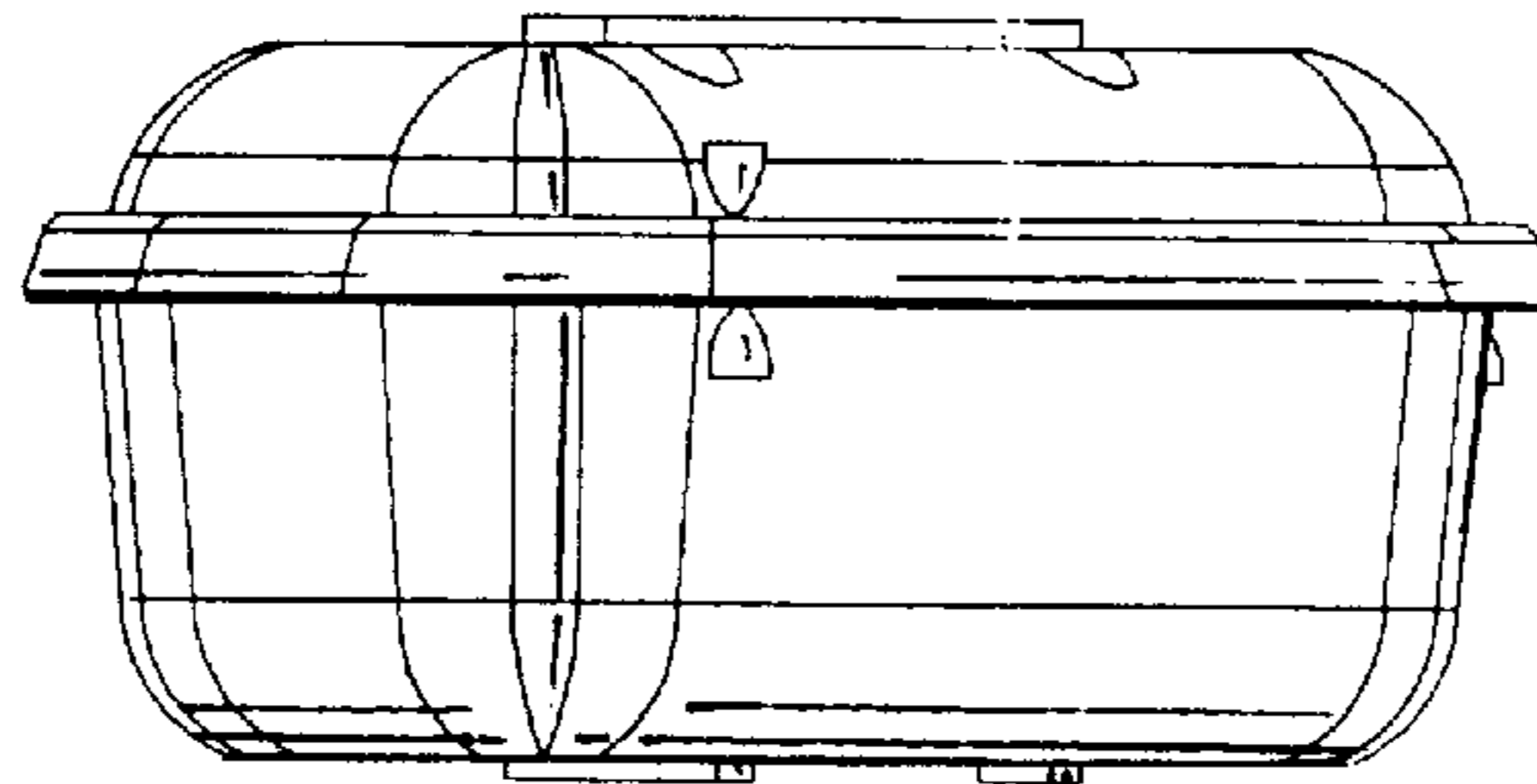


FIG. 6

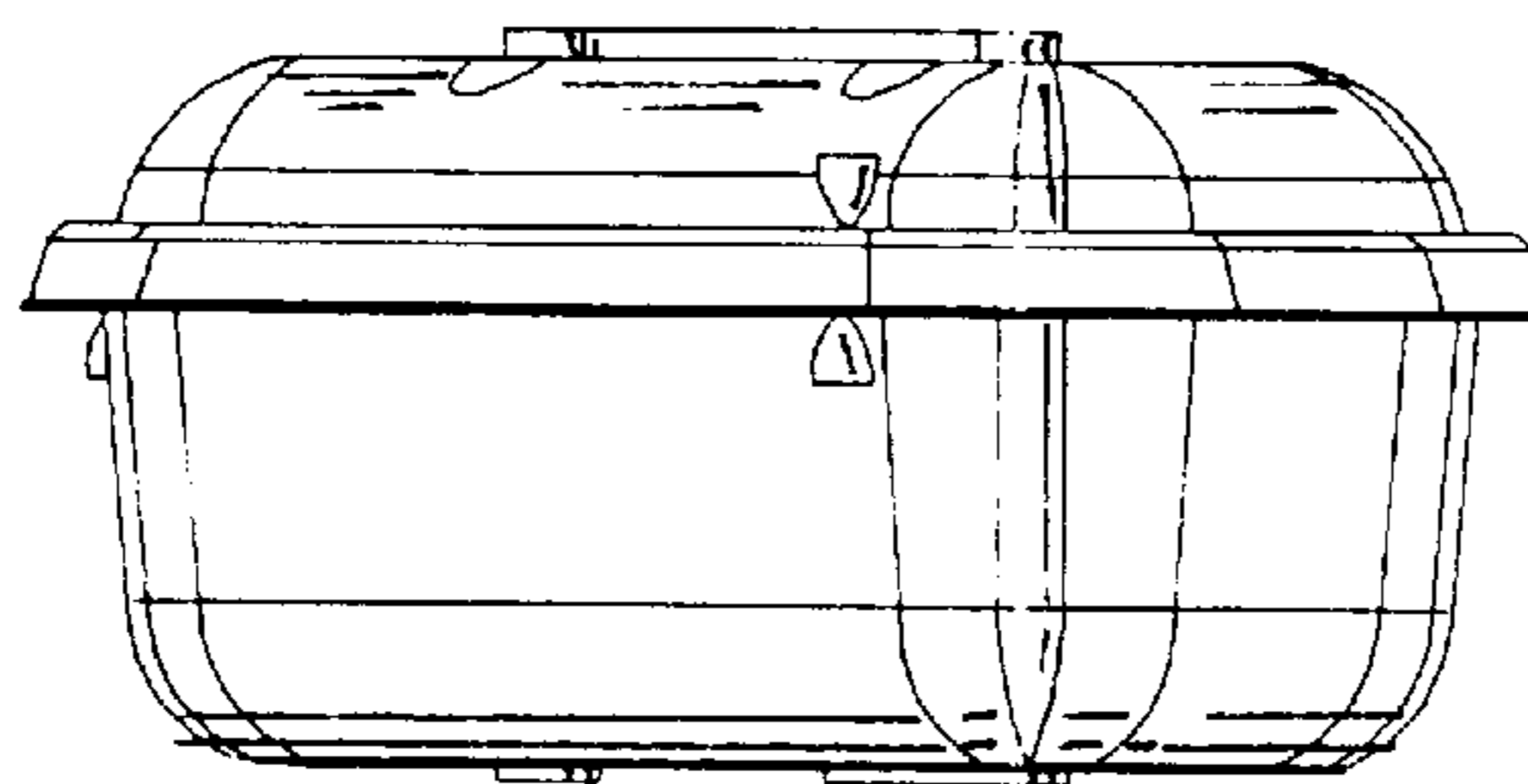


FIG. 7