



US00D420577S

United States Patent [19]

Steel et al.

[11] Patent Number: **Des. 420,577**

[45] Date of Patent: **** Feb. 15, 2000**

[54] **DISPLAY APPARATUS**

[75] Inventors: **Chris Steel**, Cleveland; **Gordon Nicol**, Newcastle-upon-Tyne, both of United Kingdom

[73] Assignee: **Black & Decker Inc.**, Newark, Del.

[**] Term: **14 Years**

[21] Appl. No.: **29/080,912**

[22] Filed: **Dec. 19, 1997**

[51] **LOC (7) Cl.** **09-07**

[52] **U.S. Cl.** **D9/415**

[58] **Field of Search** D9/415, 457, 455, D9/337; 206/461-471, 806, 349, 379, 479-480, 495, 486; 211/70.6, 69

[56] **References Cited**

U.S. PATENT DOCUMENTS

D. 349,289	8/1994	Steenland	D9/415
D. 366,829	2/1996	Chervenak et al.	D9/415
D. 376,312	12/1996	Cahn et al.	.	
D. 383,843	9/1997	Griffin	D9/415 X
D. 402,886	12/1998	Stein	D9/415
3,130,834	4/1964	Korzaan	206/349
3,927,762	12/1975	Zdarsky et al.	.	
4,019,632	4/1977	Greenlee	.	
4,586,615	5/1986	Quitmann	.	
4,623,010	11/1986	Takahashi	.	
4,634,005	1/1987	Kulzer et al.	206/349 X
4,650,074	3/1987	Vosbikian	206/806 X
4,899,877	2/1990	Kierman	206/349

4,909,386	3/1990	Jeffers	.	
5,279,420	1/1994	Rodgers	206/806 X
5,477,964	12/1995	Hart	.	
5,484,056	1/1996	Wood	.	
5,501,330	3/1996	Betts	206/349
5,699,907	12/1997	Langenstiick	206/349

FOREIGN PATENT DOCUMENTS

0592479	of 1991	European Pat. Off.	.
2701458	of 1993	France	.
4302608	8/1994	Germany	.
29507884	10/1995	Germany	.
9410538	12/1995	Germany	.
2307899	of 1997	United Kingdom	.
9301102	of 1993	WIPO	.

Primary Examiner—Prabhakar Deshmukh
Attorney, Agent, or Firm—Charles E. Yocum; Dennis A. Dearing; John D. Del Ponti

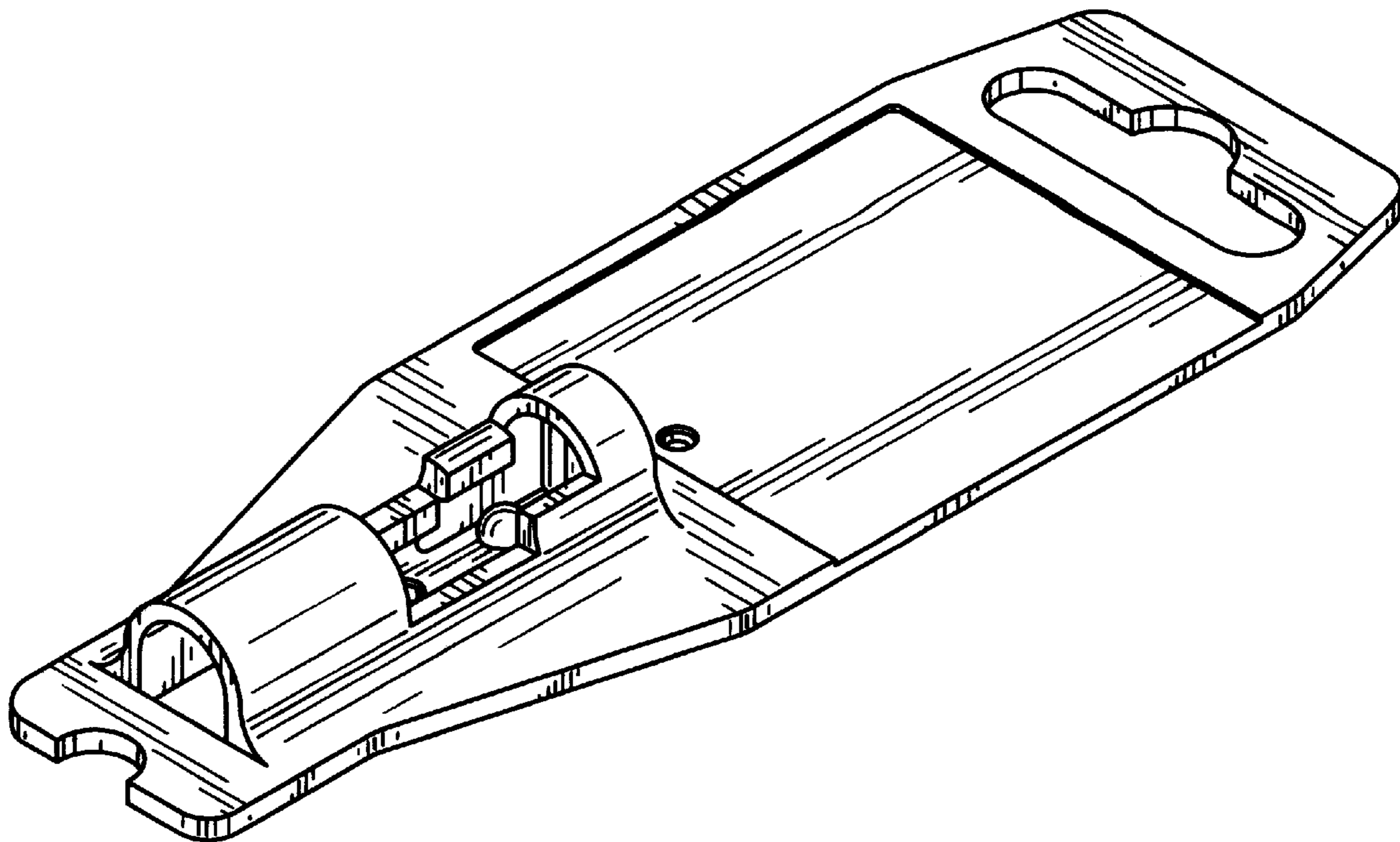
[57] **CLAIM**

The ornamental design for a display apparatus, as shown and described.

DESCRIPTION

FIG. 1 is perspective view of a display apparatus showing our new design;
FIG. 2 is a front elevational view thereof;
FIG. 3 is a rear elevational view thereof;
FIG. 4 is a left side elevational view thereof;
FIG. 5 is a right side elevational view thereof;
FIG. 6 is a top plan view thereof; and,
FIG. 7 is a bottom plan view thereof.

1 Claim, 2 Drawing Sheets



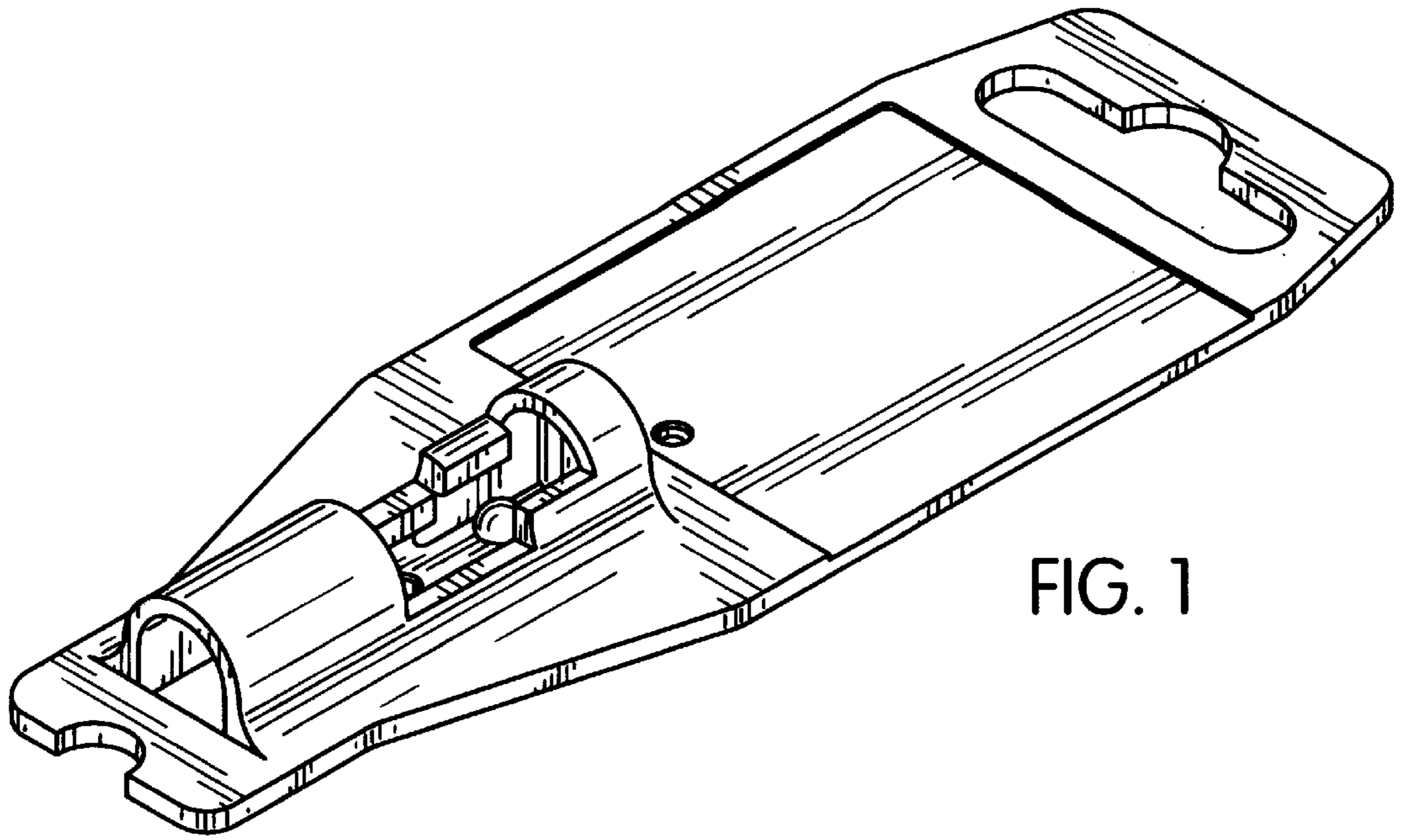


FIG. 1

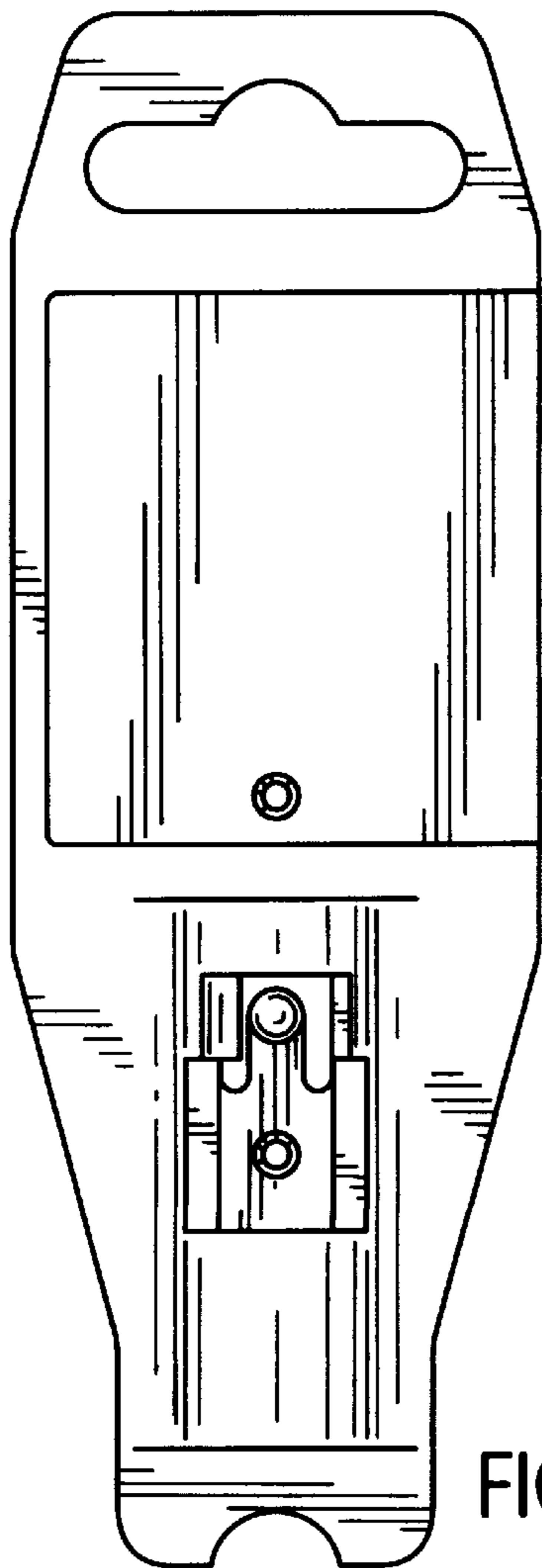


FIG. 2

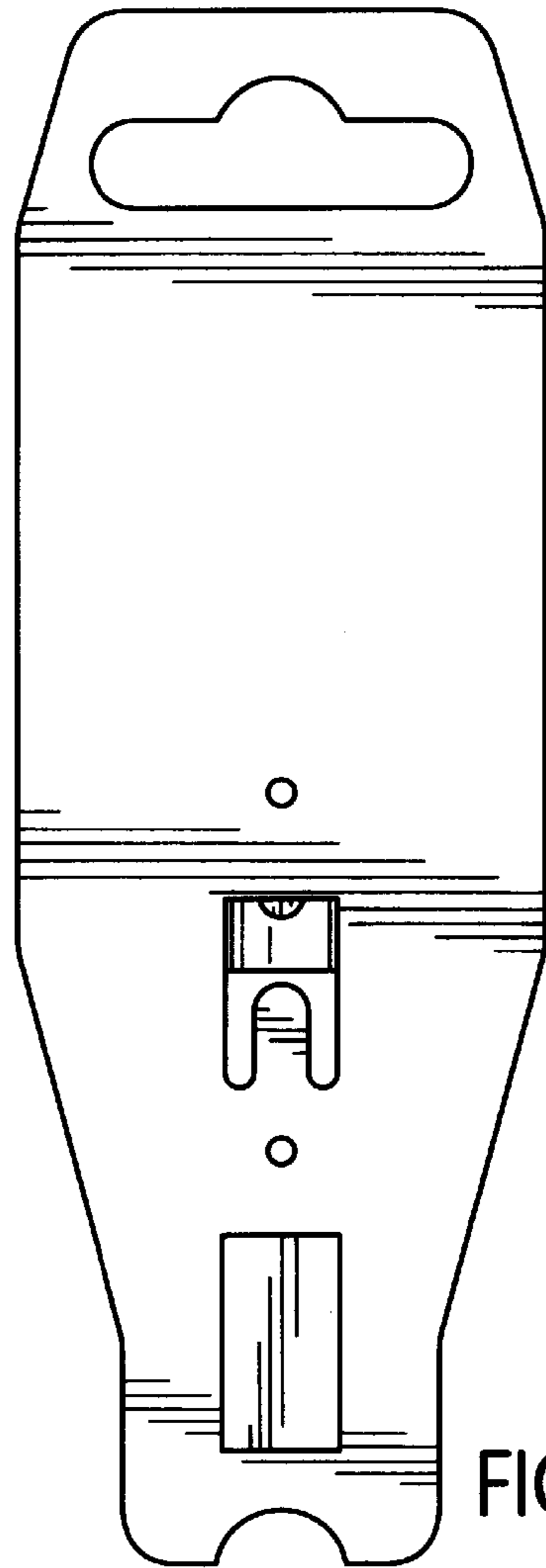


FIG. 3

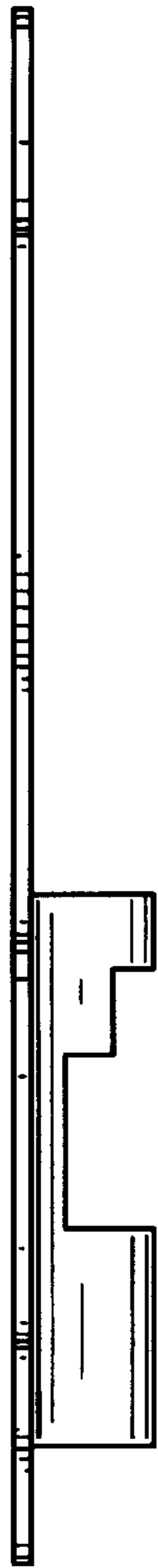


FIG. 4



FIG. 5

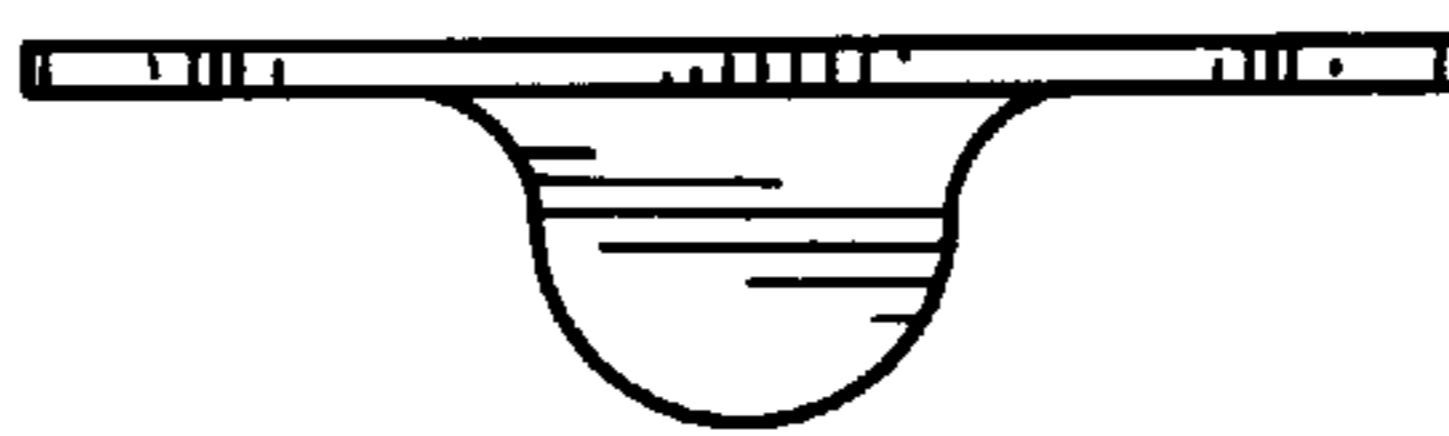


FIG. 6

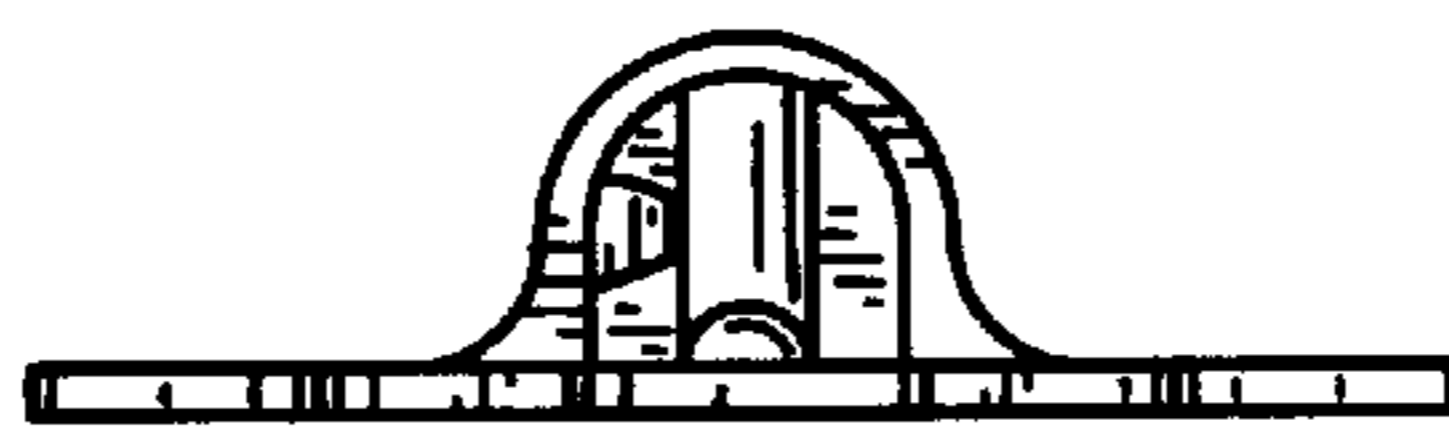


FIG. 7