



US00D420571S

**United States Patent** [19]  
**De Witte**

[11] **Patent Number: Des. 420,571**

[45] **Date of Patent: \*\* Feb. 15, 2000**

[54] **RECYCLABLE SHOPPING BAG  
CONVERTIBLE TO A GARBAGE BAG**

[76] Inventor: **Dirk De Witte**, Meerlaan, 86, 8300  
Knokke, Belgium

[\*\*] Term: **14 Years**

[21] Appl. No.: **29/086,673**

[22] Filed: **Apr. 17, 1998**

[51] **LOC (7) Cl.** ..... **09-05**

[52] **U.S. Cl.** ..... **D9/305**

[58] **Field of Search** ..... D9/305, 306; D3/303;  
383/4, 6, 17-20, 26, 27, 75

[56] **References Cited**

**U.S. PATENT DOCUMENTS**

D. 244,914	7/1977	Nicol	.....	D9/305
1,044,023	11/1912	Colgate	.....	383/75 X
1,901,858	3/1933	Fischer	.....	383/18 X
3,275,106	9/1966	Rush	.....	383/4 X
5,090,559	2/1992	Gendreau	.....	383/4 X
5,265,961	11/1993	Boyd	.....	383/75
5,716,137	2/1998	Meyer	.....	383/75

*Primary Examiner*—Doris V. Coles  
*Assistant Examiner*—Cathron B. Matta

[57] **CLAIM**

The ornamental design for a recyclable shopping bag convertible to a garbage bag, as shown and described.

**DESCRIPTION**

FIG. 1 is a perspective view of the recyclable shopping bag convertible to a garbage bag showing my new design in the shopping bag orientation with the upper free edge folded down to the closed bottom edge exposing the handles and the advertising indicia.

FIG. 2 is a front elevational view thereof;

FIG. 3 is a rear elevational view thereof;

FIG. 4 is a left side view thereof;

FIG. 5 is a right side view thereof;

FIG. 6 is a top plan view thereof;

FIG. 7 is a bottom plan view thereof; and

FIG. 8 is a perspective view of my new design in the defolding state between shopping bag and garbage bag; and,

FIG. 9 is a perspective view of my new design in the garbage bag orientation with the upper free edge extended upwardly and with the drawstring partially pulled.

The side opposite that shown is a mirror image.

The advertising indicia shown in broken lines in FIGS. 1, 2 and 8 is for illustrative purposes only and forms no part of the claimed design.

**1 Claim, 2 Drawing Sheets**

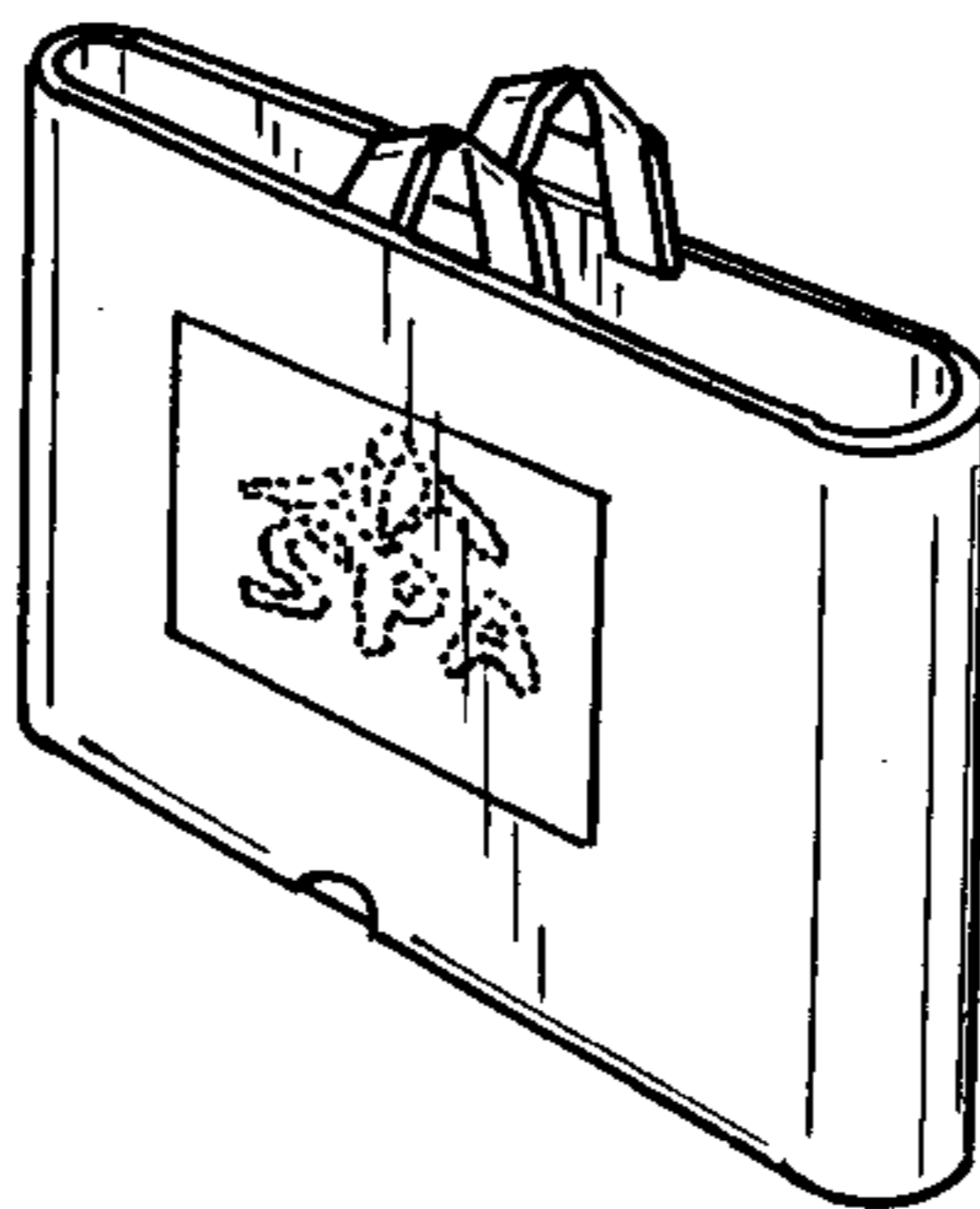


FIG 1



FIG 2



FIG 4

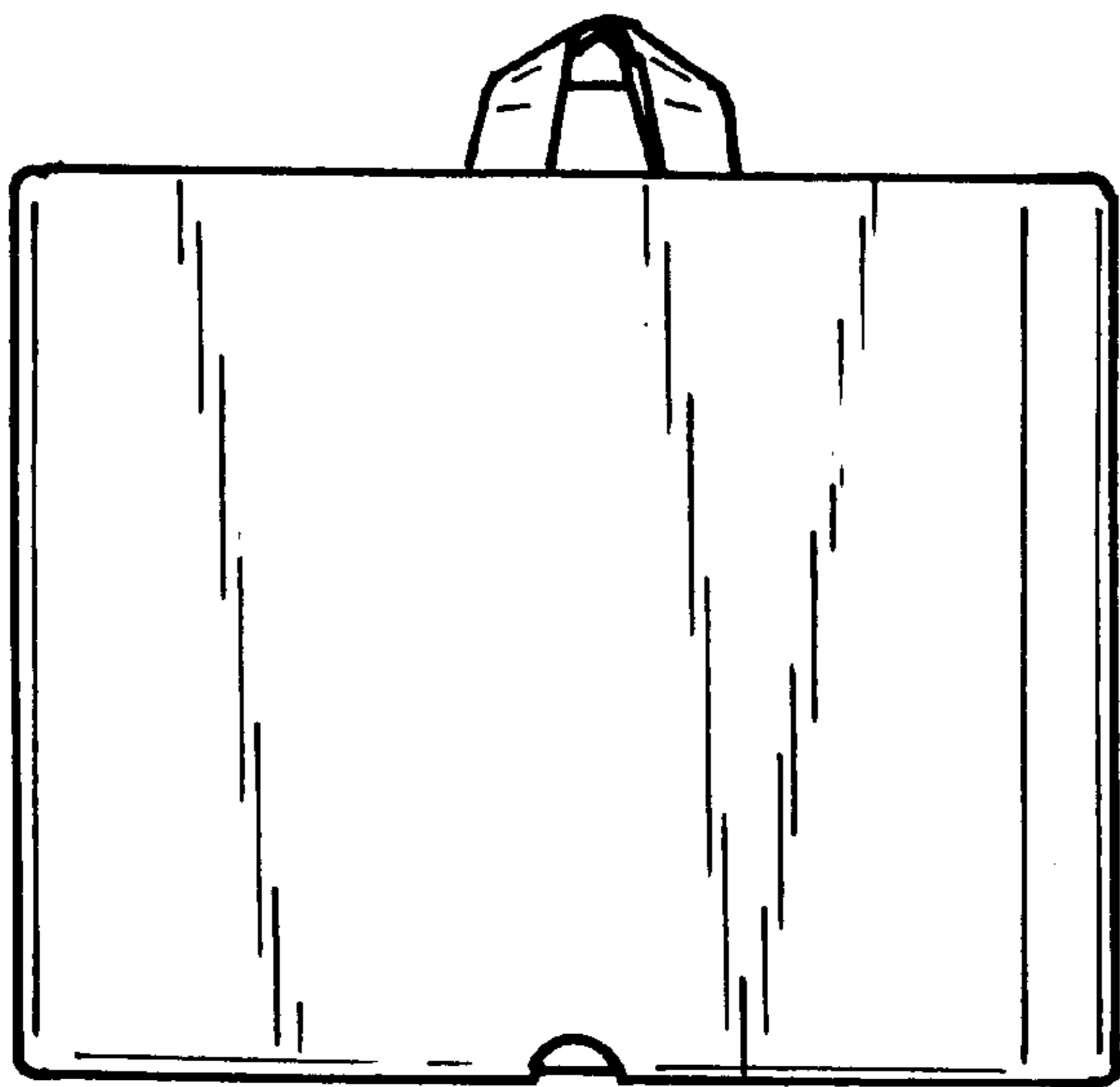


FIG 3

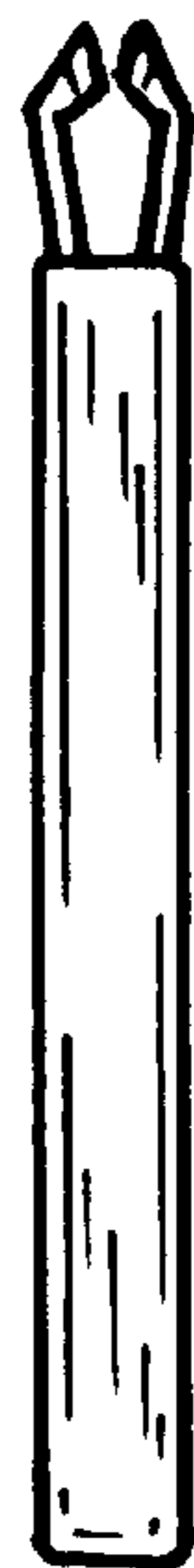


FIG 5

FIG 6



FIG 7

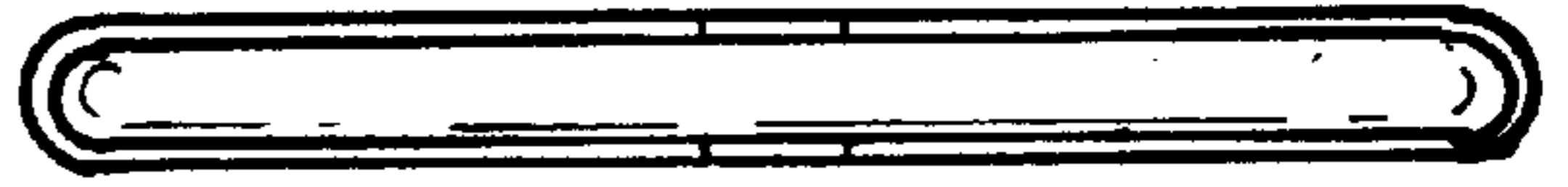


FIG 8

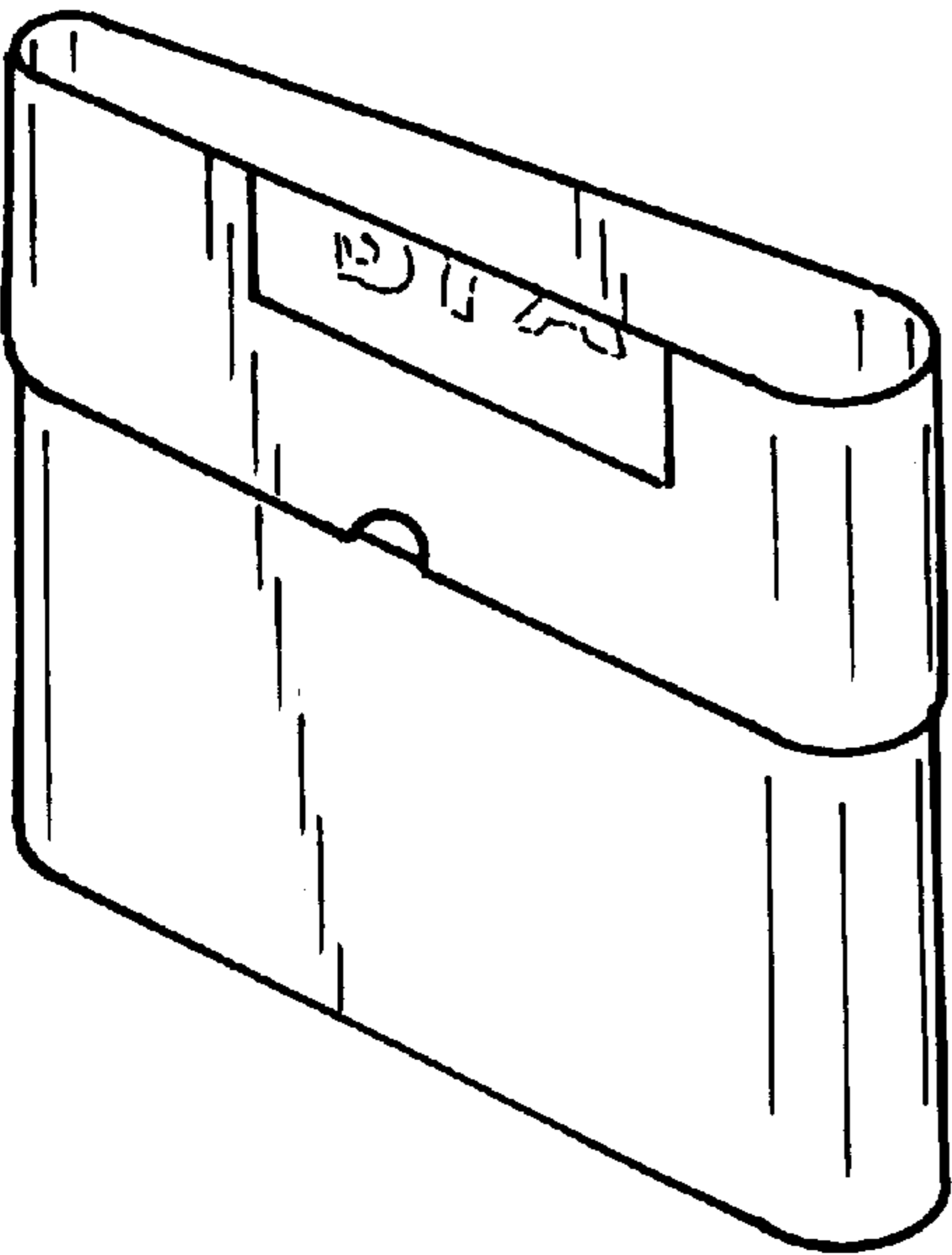


FIG 9