



US00D420569S

# United States Patent [19] Evans

[11] **Patent Number: Des. 420,569**

[45] **Date of Patent: \*\* Feb. 15, 2000**

[54] **ATTACHMENT CLIP**

[76] Inventor: **Donald Evans**, 1405 Huntington Cir.,  
Reno, Nev. 89509

[\*\*] Term: **14 Years**

[21] Appl. No.: **29/089,648**

[22] Filed: **Jun. 18, 1998**

[51] **LOC (7) Cl.** ..... **08-08**

[52] **U.S. Cl.** ..... **D8/396; D8/382**

[58] **Field of Search** ..... D8/382, 396, 356;  
248/71, 74.2; 24/16 R, 16 PB, 20 TT, 543

[56] **References Cited**

**U.S. PATENT DOCUMENTS**

D. 292,554	11/1987	Yagi	.....	D8/396
D. 302,938	8/1989	Fujioka	.....	D8/396
4,128,918	12/1978	Wenk	.....	24/16 R
4,183,120	1/1980	Thorne	.....	24/20 TT
4,386,752	6/1983	Pavlak et al.	.	
4,557,024	12/1985	Robert et al.	.....	24/20 TT
4,840,345	6/1989	Neil et al.	.....	248/74.2
4,935,992	6/1990	Due	.....	24/16 R
5,118,215	6/1992	Freier	.....	248/74.2

5,277,387 1/1994 Lewis et al. .... 248/71

*Primary Examiner*—B. J. Bullock  
*Attorney, Agent, or Firm*—Ian F. Burns

[57] **CLAIM**

I claim the ornamental design for an attachment clip, as shown and described.

**DESCRIPTION**

FIG. 1 is a side perspective view of the attachment clip of the present invention, the environmental broken lines indicating how the attachment clip would be used with a structure and forming no part of the claimed design.

FIG. 2 is a front elevational view of the attachment clip of the present invention.

FIG. 3 is a rear elevational view of the attachment clip of the present invention.

FIG. 4 is a right side elevational view of the attachment clip of the present invention.

FIG. 5 is a left side elevational view of the attachment clip of the present invention; and,

FIG. 6 is a top plan view of the attachment clip of the present invention, the bottom plan view being a mirror image thereof.

**1 Claim, 1 Drawing Sheet**

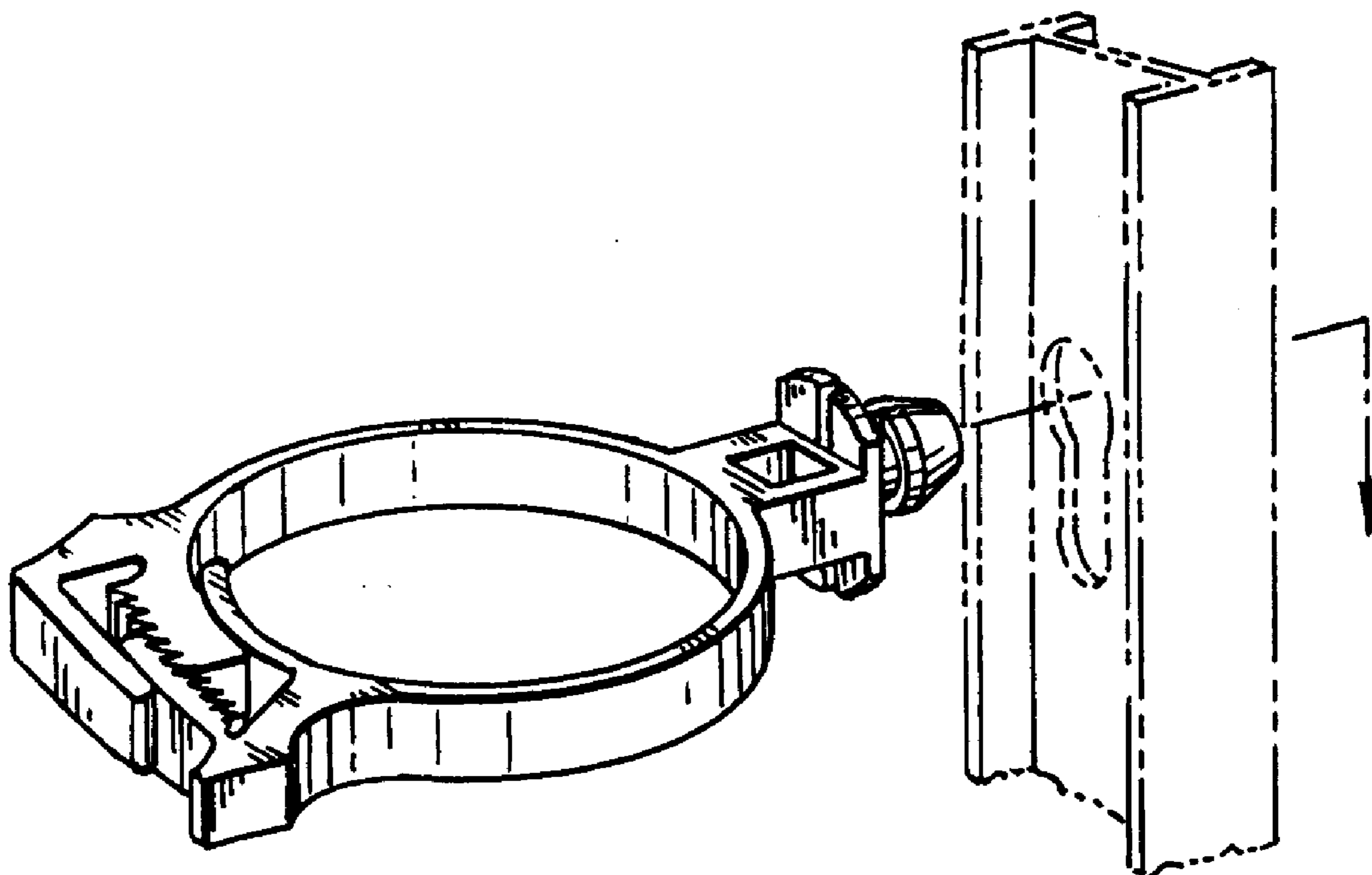


FIG. 1

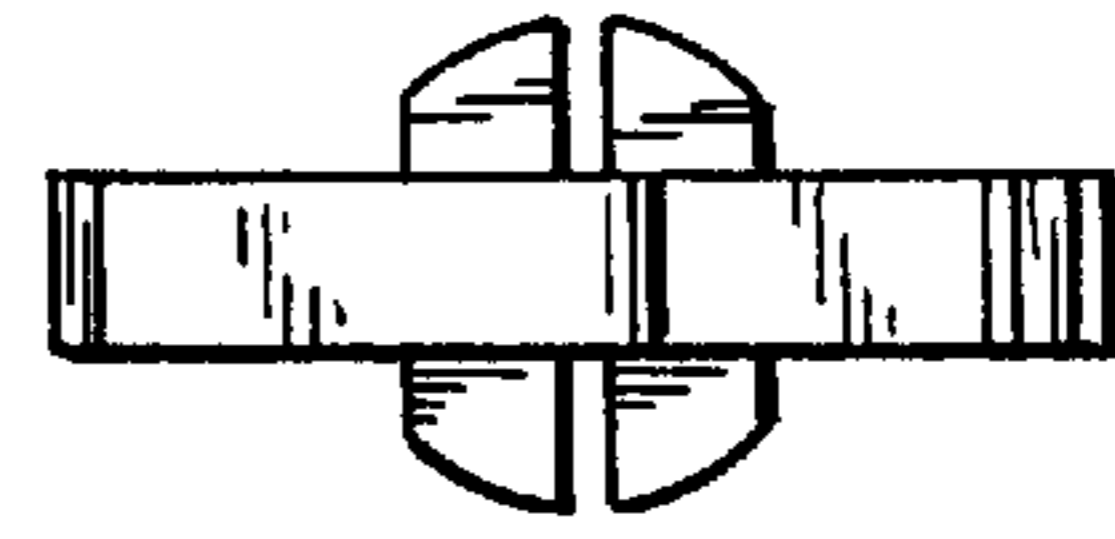
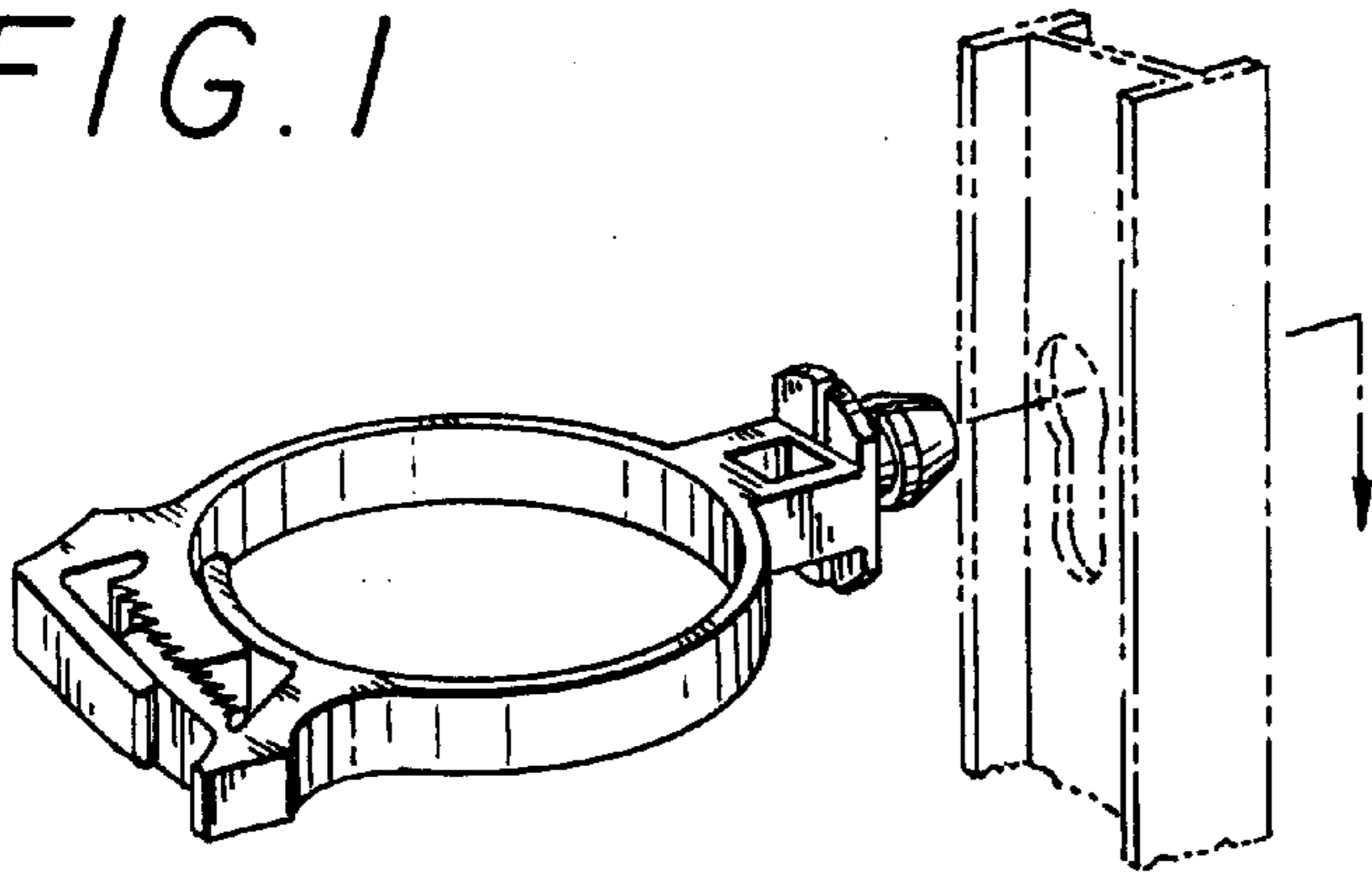


FIG. 2

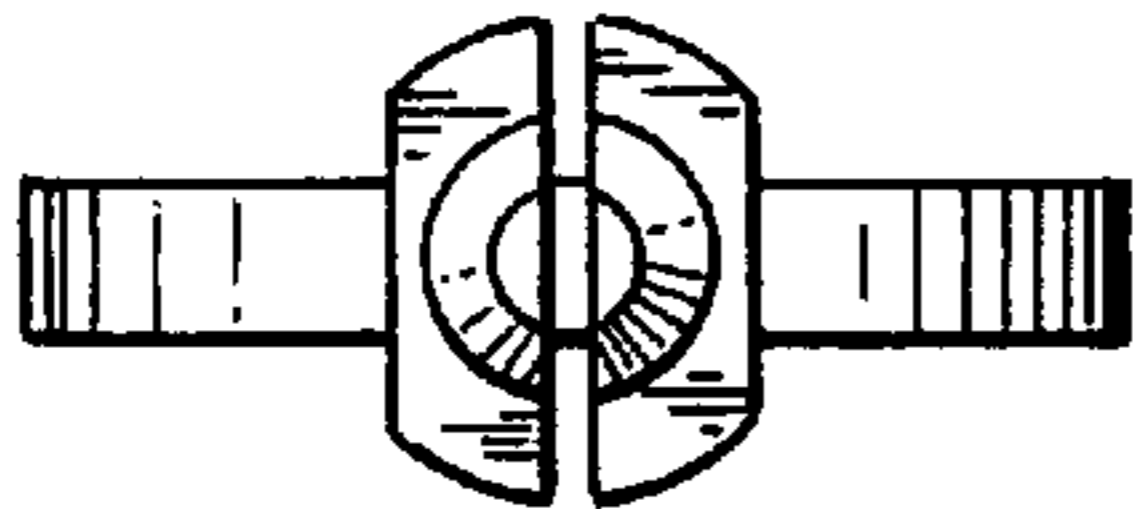


FIG. 3

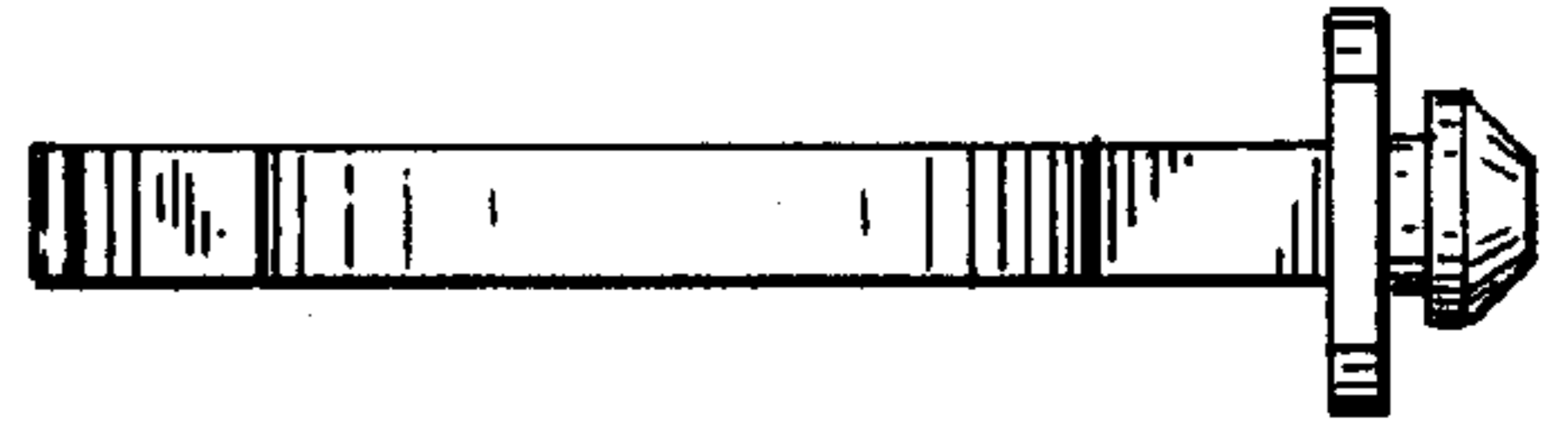


FIG. 4

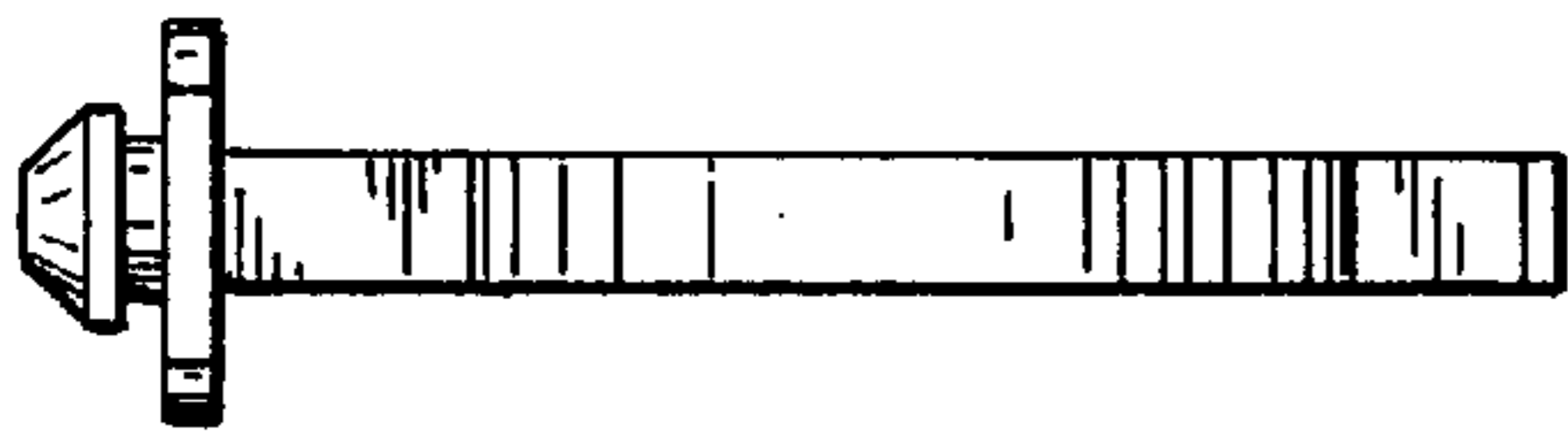


FIG. 5

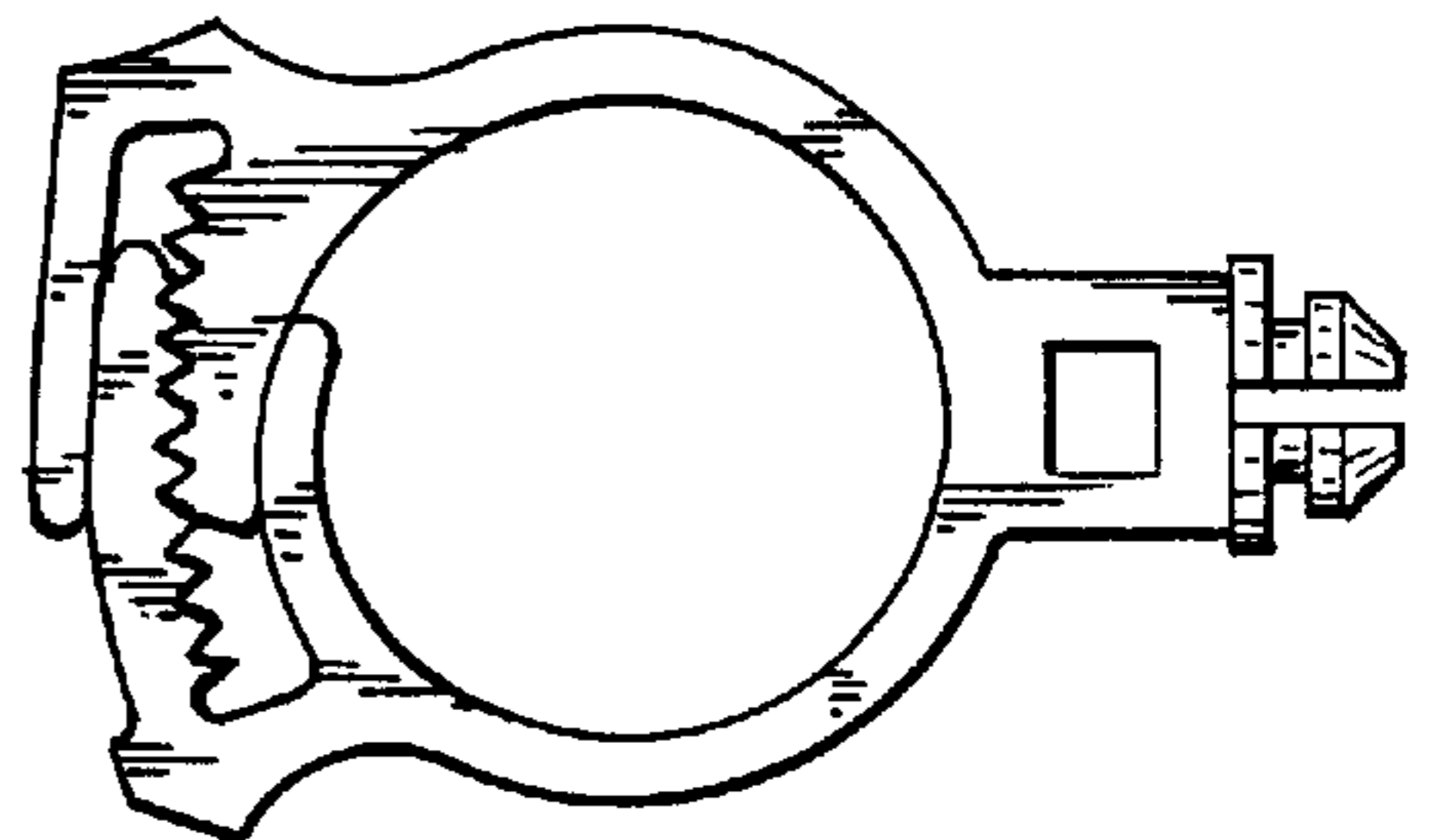


FIG. 6