



US00D420567S

United States Patent [19]

Laga et al.

[11] **Patent Number: Des. 420,567**

[45] **Date of Patent: ** Feb. 15, 2000**

[54] **HOLLOW WALL TOOL HOLDER**

3,252,678 5/1966 Myers et al. 248/220.31
5,503,277 4/1996 O'Brien 211/106.1

[75] Inventors: **Kenneth Laga**, Emmaus, Pa.; **William J. Pestone**, Cohasset, Mass.

Primary Examiner—Holly Baynham
Attorney, Agent, or Firm—Samuels, Gauthier & Stevens

[73] Assignee: **Lehigh Consumer Products Corporation**, Macungie, Pa.

[57] **CLAIM**

[**] Term: **14 Years**

The ornamental design for a hollow wall tool holder, as shown and described.

[21] Appl. No.: **29/104,371**

DESCRIPTION

[22] Filed: **May 4, 1999**

[51] **LOC (7) Cl.** **08-05**

[52] **U.S. Cl.** **D8/373; D8/367; D8/363**

[58] **Field of Search** **D8/367, 373, 363; 248/301, 304, 220.31; 211/87, 166.1**

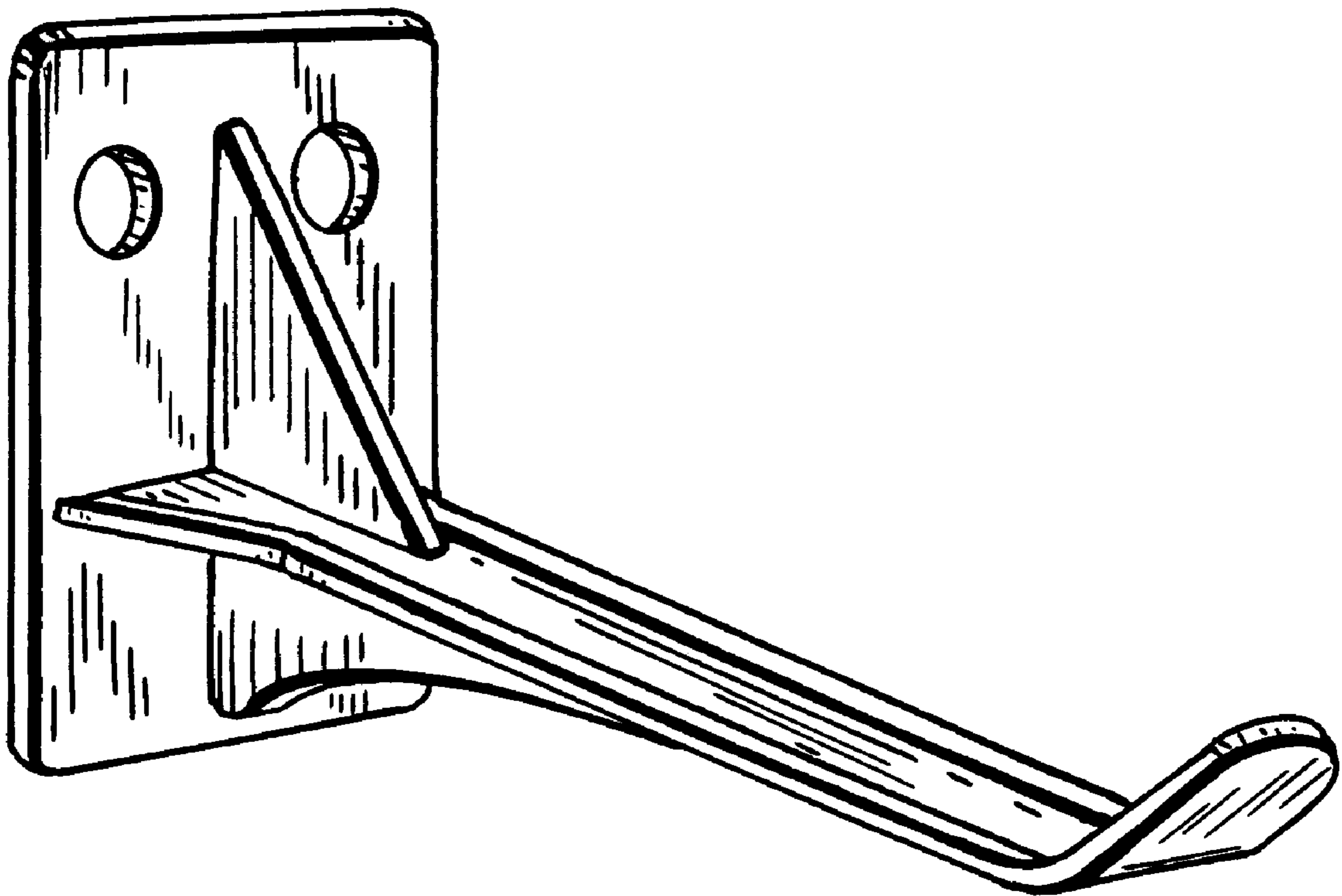
FIG. 1 is a perspective view of a hollow wall tool holder;
FIG. 2 is a top plan view;
FIG. 3 is a left side view, the right side being a mirror image thereof;
FIG. 4 is a front view;
FIG. 5 is a bottom view; and,
FIG. 6 is a back view.

[56] **References Cited**

U.S. PATENT DOCUMENTS

1,588,566 6/1926 Wismer 248/304 X

1 Claim, 1 Drawing Sheet



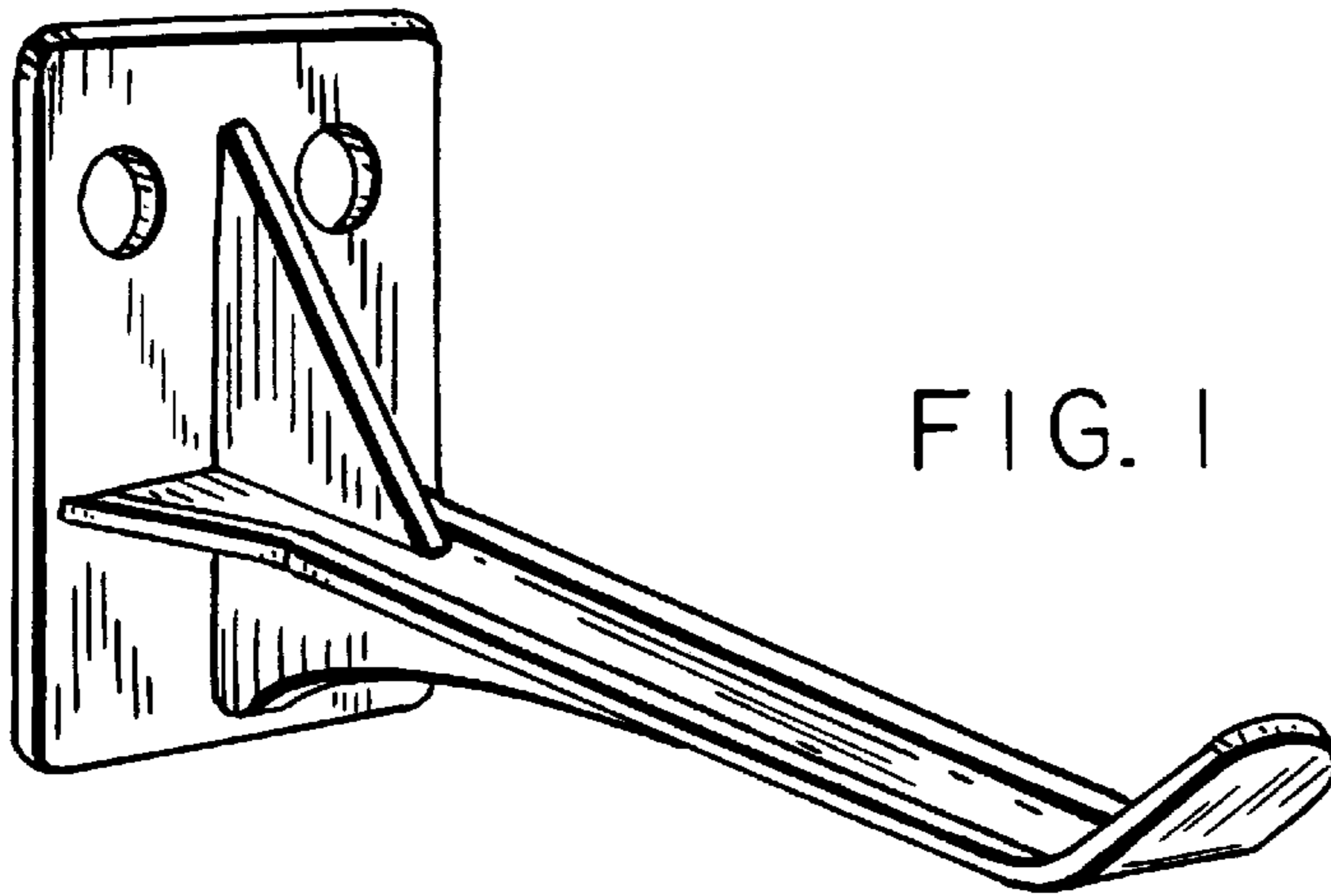


FIG. 1

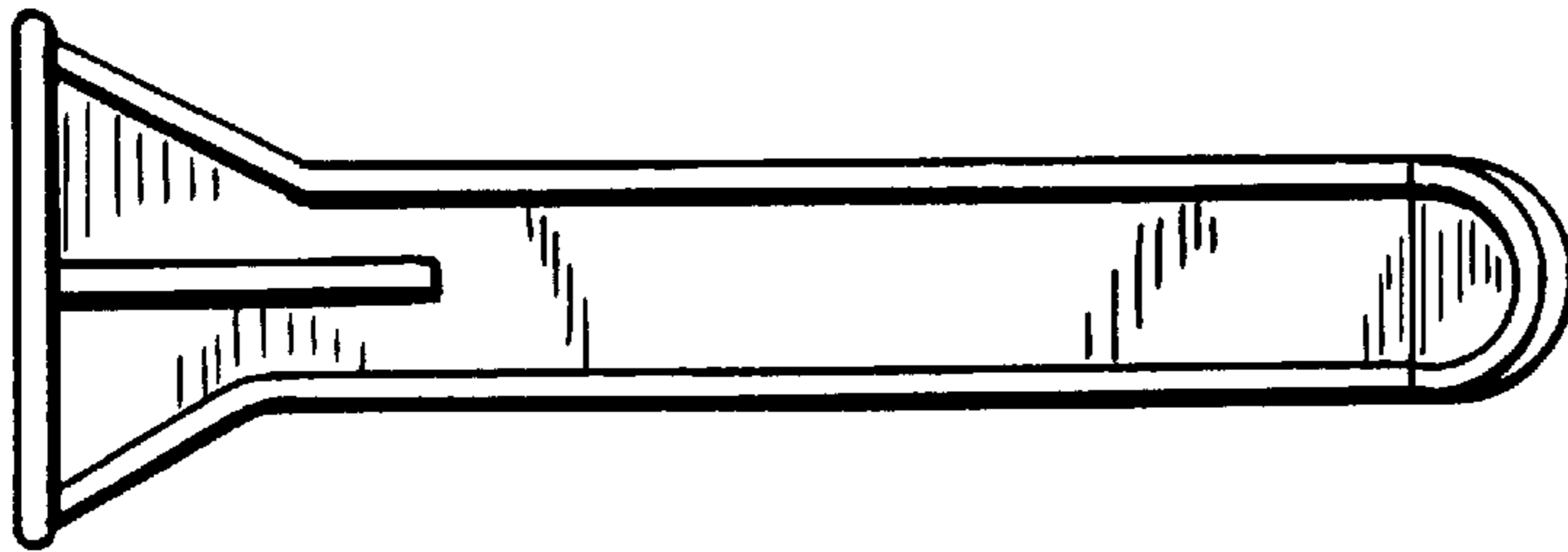


FIG. 2

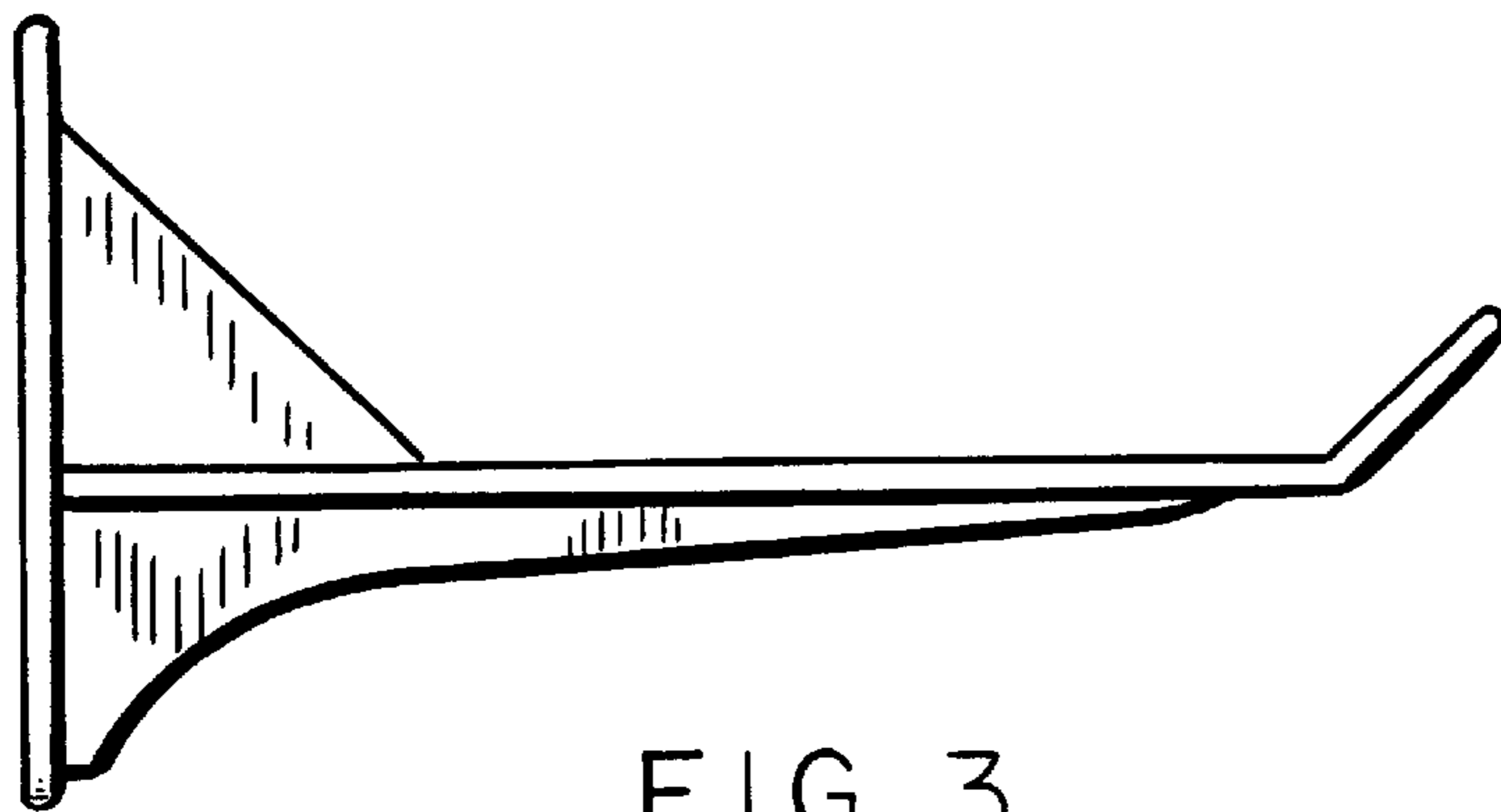


FIG. 3

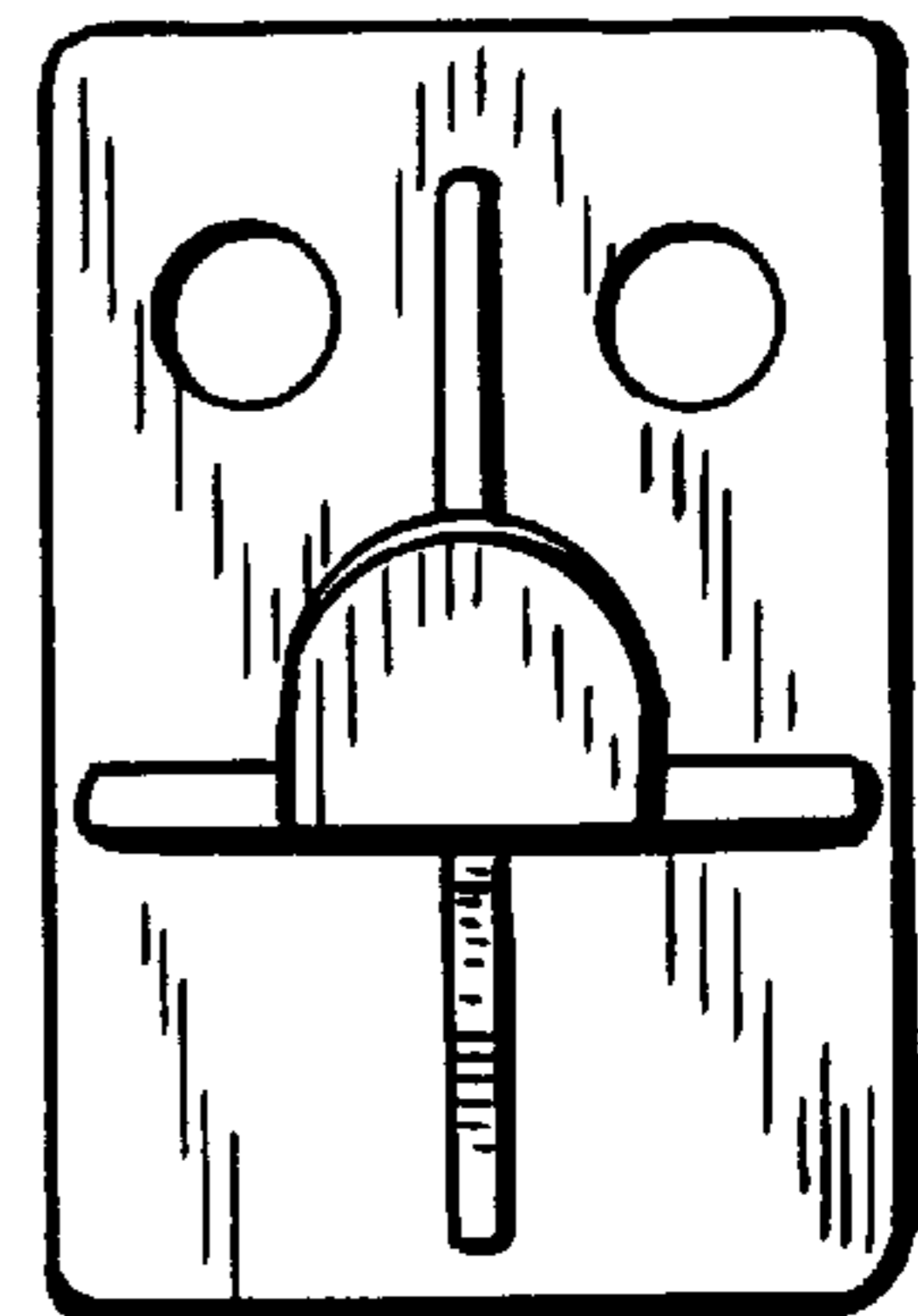


FIG. 4

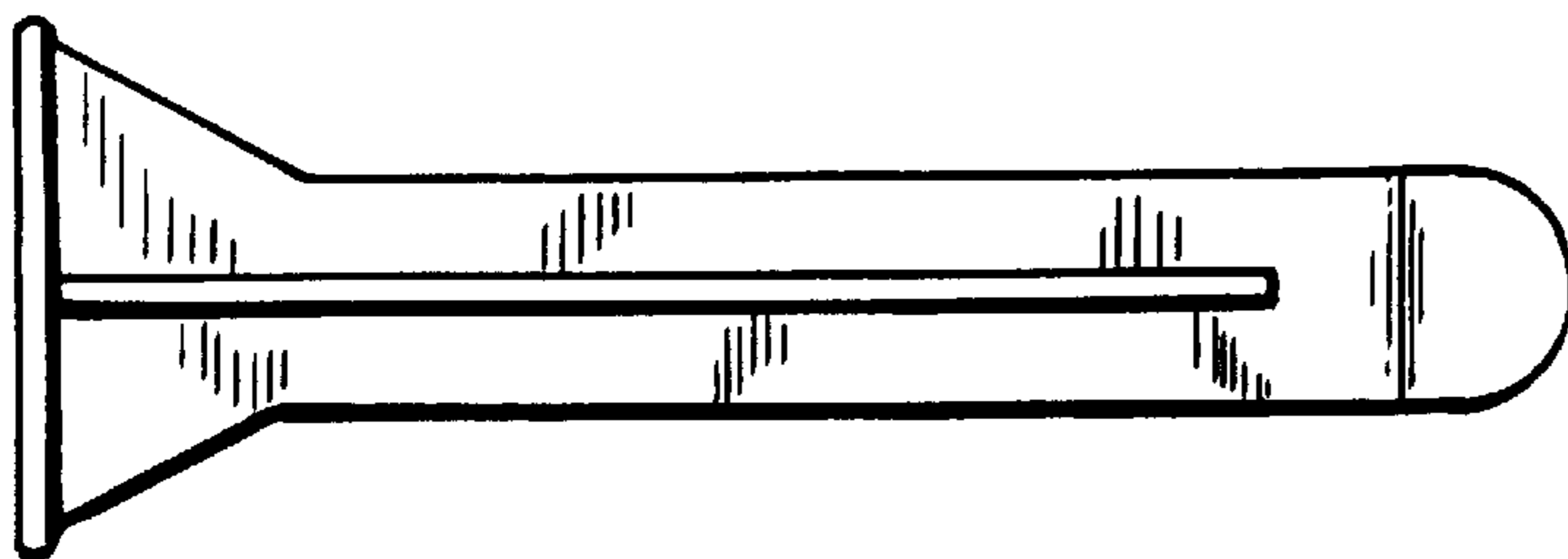


FIG. 5

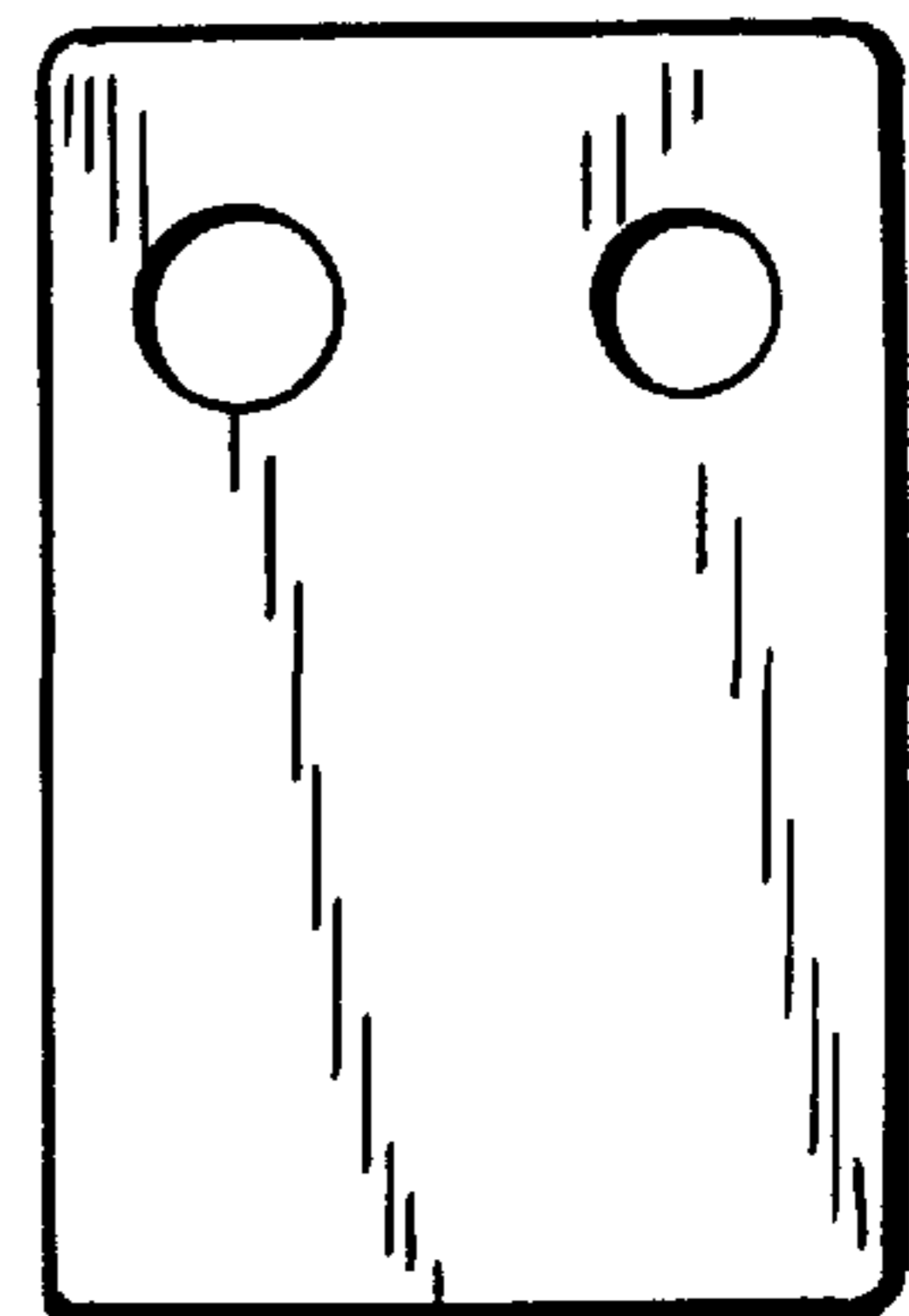


FIG. 6