



US00D420566S

United States Patent [19]

[11] **Patent Number: Des. 420,566**

Ely et al.

[45] **Date of Patent: ** Feb. 15, 2000**

[54] **BRACKET**

[75] Inventors: **Keith Ely**, Kennett Square; **Richard Hipp**, Boothwyn, both of Pa.

[73] Assignee: **Southco, Inc.**, Concordville, Pa.

[**] Term: **14 Years**

[21] Appl. No.: **29/101,017**

[22] Filed: **Feb. 23, 1999**

[51] **LOC (7) Cl.** **08-05**

[52] **U.S. Cl.** **D8/354**

[58] **Field of Search** D8/349, 354; 248/229.1, 248/300, 201, 218.4

[56] **References Cited**

U.S. PATENT DOCUMENTS

D. 342,011	12/1993	Maguire	D8/349
D. 348,827	7/1994	Berti et al.	D8/382
5,273,246	12/1993	Stahara et al.	248/300 X
5,406,448	4/1995	Anderson et al.	248/201 X

OTHER PUBLICATIONS

Southco Latches and Access Hardware Handbook 48, p. H-21 (1998).

EMKA Brochure, p. 1B-300 (Nov. 1995).

Lowe & Fletcher Ltd. Brochure, pp. 2.20, 2.21, 2.22, 2.23, 2.24, 2.25, it is believed that the products depicted in the brochures have been in public use or on sale more than one year from the date of filing the present application, Apr. 2, 1998.

Southco, Inc. Drawings of padlock hasp, it is believed that the products shown in the drawings have been in public use or on sale more than one year from the date of filing present application.

Southco, Inc. Drawings of padlock bracket sub-assembly, it is believed that the products shown in the drawings have been in public use or on sale more than one year from the date of filing present application.

Southco, Inc. Drawings of padlock cup, it is believed that the products shown in the drawings have been in public use or on sale more than one year from the date of filing present application.

Drawings of padlock bracket, it is believed that the products shown in the drawings have been in public use or on sale more than one year from the date of filing present application.

Primary Examiner—Holly Baynham
Attorney, Agent, or Firm—Paul & Paul

[57] **CLAIM**

The ornamental design for a bracket, as shown and described.

DESCRIPTION

FIG. 1 is perspective view of an embodiment of bracket embodying our new design;

FIG. 2 is a top plan view thereof;

FIG. 3 is front elevational view thereof;

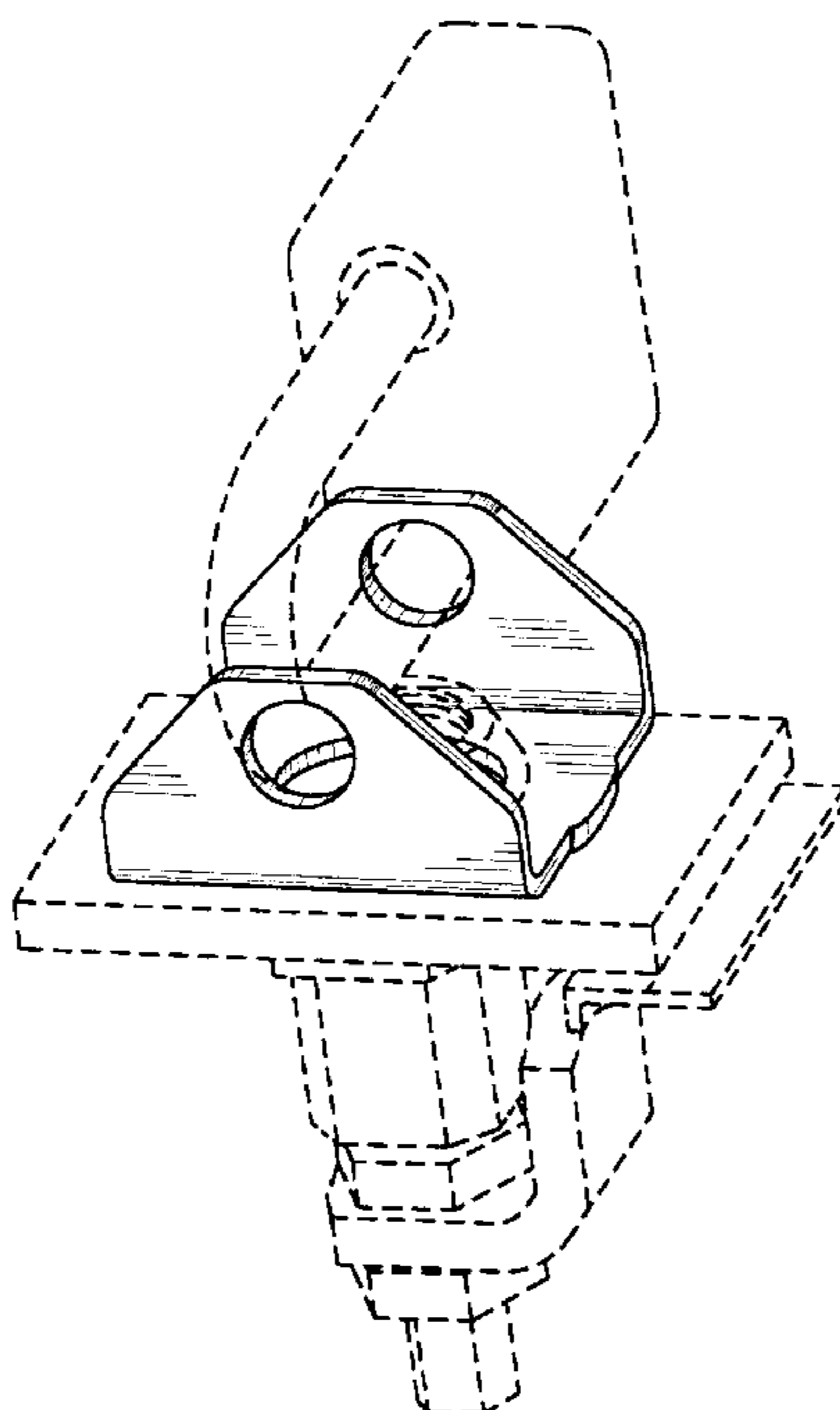
FIG. 4 is a left side elevational view thereof, the right side being a mirror image of that shown;

FIG. 5 is a rear elevational view thereof; and,

FIG. 6 is a bottom plan view thereof.

The broken lines showing a portion of a panel on which the bracket is mounted, a latch and padlock mounted on the bracket, a portion of a frame engaging the latch and a gasket between the panel and frame portions are for illustrative purposes only and form no part of the claimed design.

1 Claim, 2 Drawing Sheets



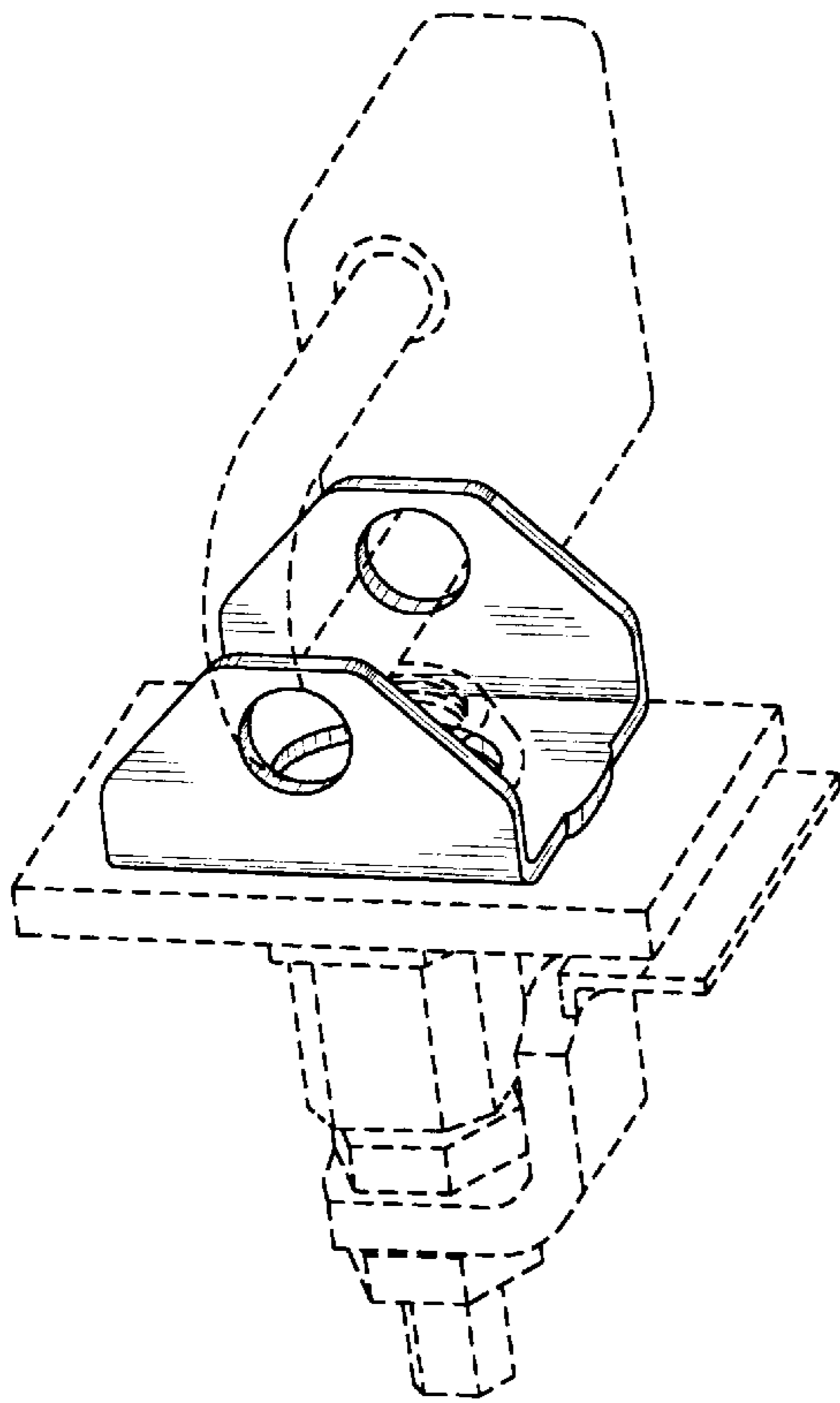


FIG. 1

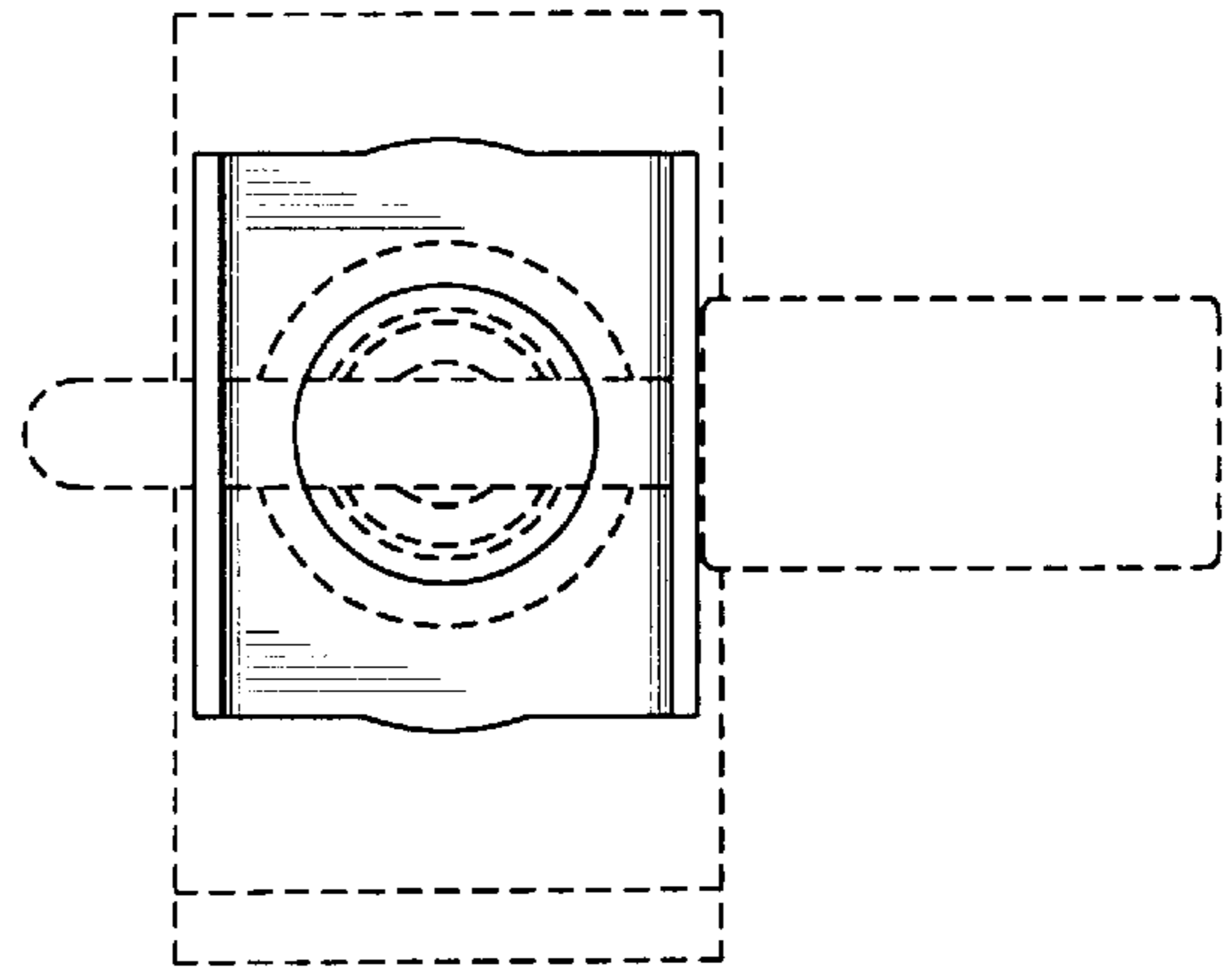


FIG. 2

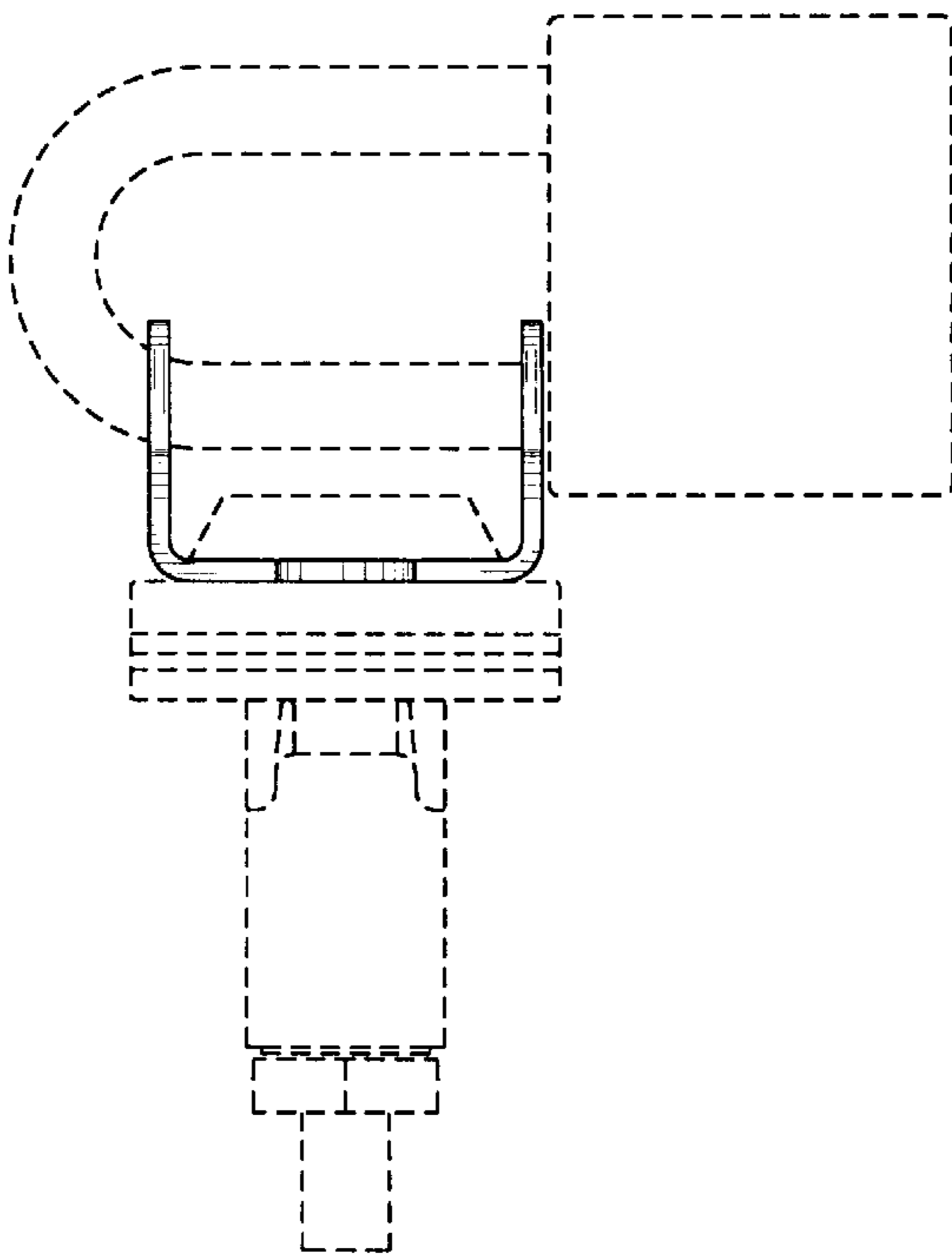


FIG. 3

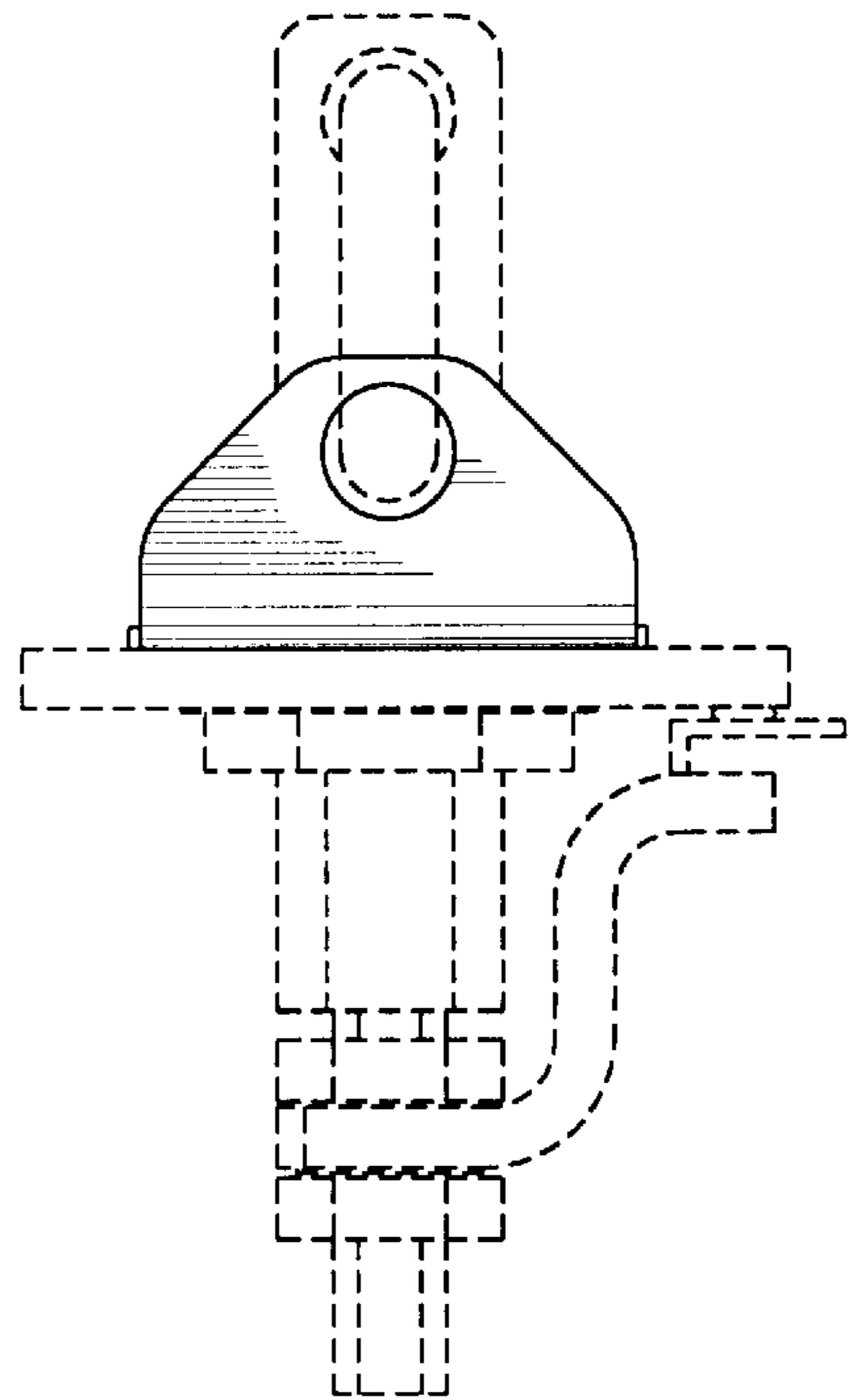


FIG. 4

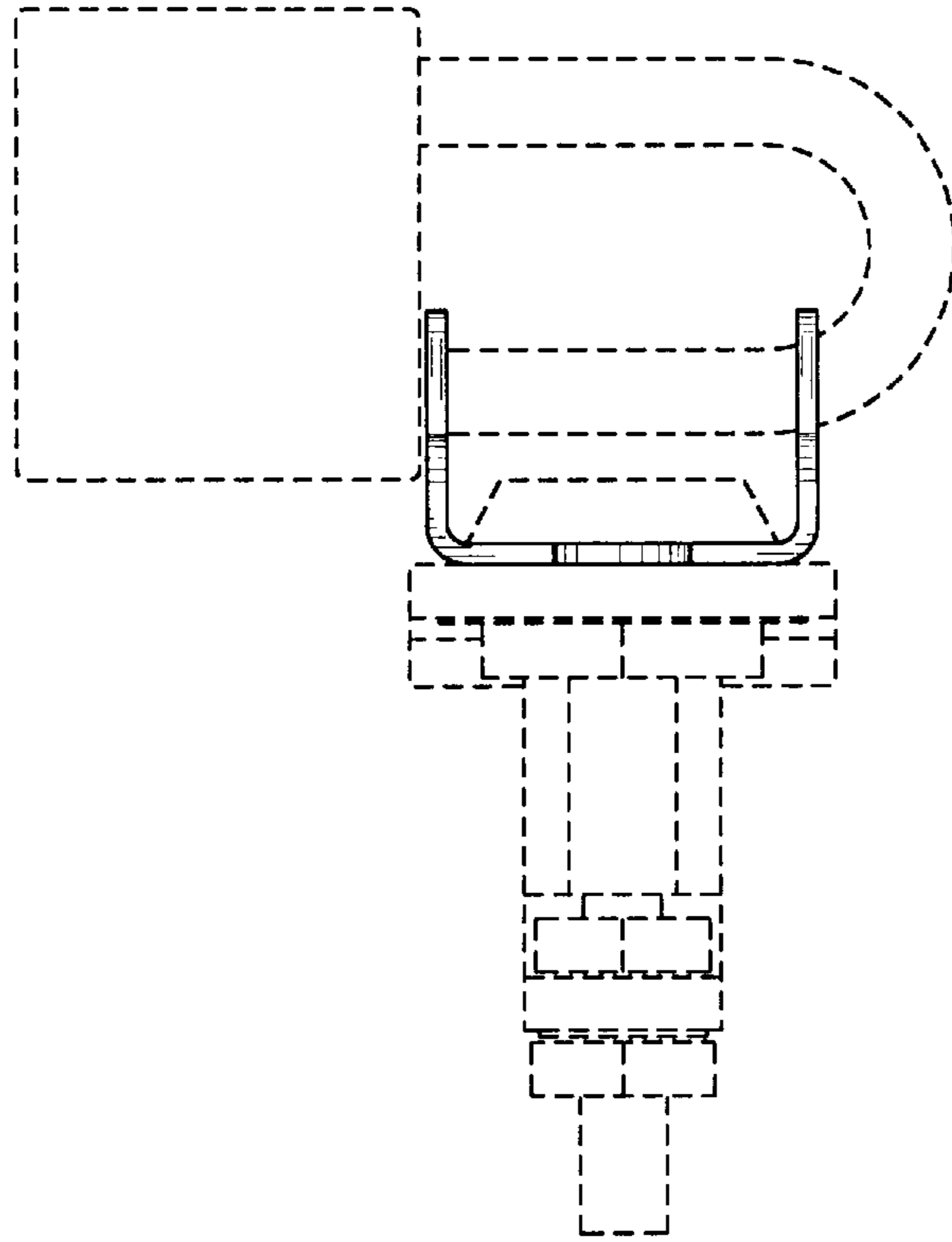


FIG. 5

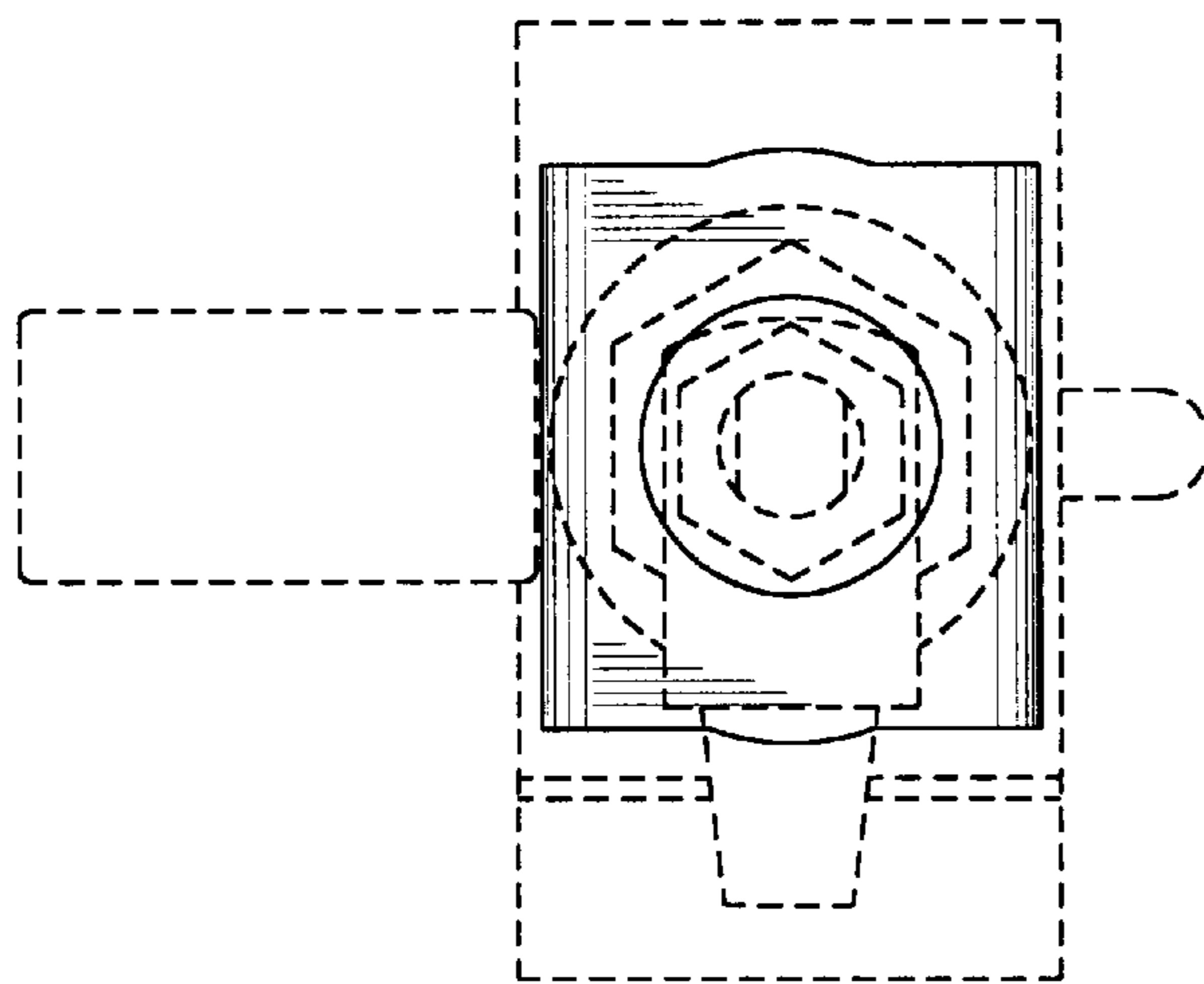


FIG. 6