



US00D420558S

# United States Patent [19]

Lee

[11] **Patent Number: Des. 420,558**

[45] **Date of Patent: \*\* Feb. 15, 2000**

[54] **CORKSCREW**

D. 408,697 4/1999 De Bergen ..... D8/42  
2,725,622 12/1955 Geier ..... 30/447

[76] Inventor: **Ming-Hsiang Lee**, No. 4, Lane 263,  
Sec. 2, Chien-Kang Rd., Tainan City,  
Taiwan

*Primary Examiner*—Jeffrey Asch  
*Attorney, Agent, or Firm*—Fish & Richardson P.C.

[\*\*] Term: **14 Years**

### [57] CLAIM

[21] Appl. No.: **29/105,106**

The ornamental design for corkscrew, as shown and described.

[22] Filed: **May 18, 1999**

### DESCRIPTION

[51] **LOC (7) Cl.** ..... **07-99**

FIG. 1 is a perspective view of corkscrew showing my new design;

[52] **U.S. Cl.** ..... **D8/39**

FIG. 2 is a front elevational view thereof;

[58] **Field of Search** ..... D8/33-43, 18,  
D8/19; 30/400-443; 81/3.07-3.49; 7/151-156

FIG. 3 is a rear elevational view thereof;

FIG. 4 is a left side elevational view thereof;

FIG. 5 is a right side elevational view thereof;

FIG. 6 is a top plan view thereof; and,

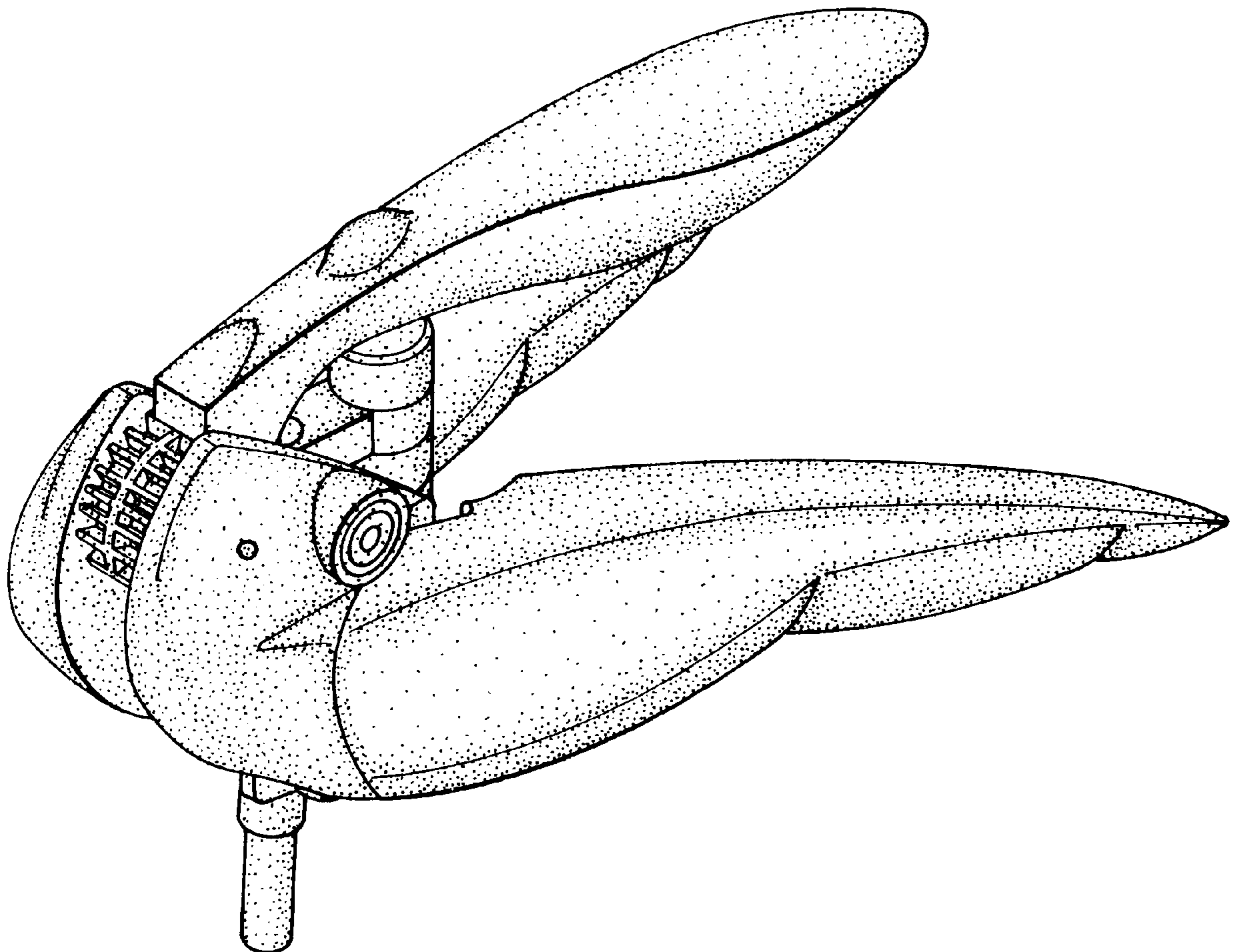
FIG. 7 is a bottom plan view thereof.

### [56] References Cited

#### U.S. PATENT DOCUMENTS

D. 174,858 5/1955 Greco et al. .... D8/33  
D. 181,888 1/1958 Talge ..... D8/39

**1 Claim, 4 Drawing Sheets**



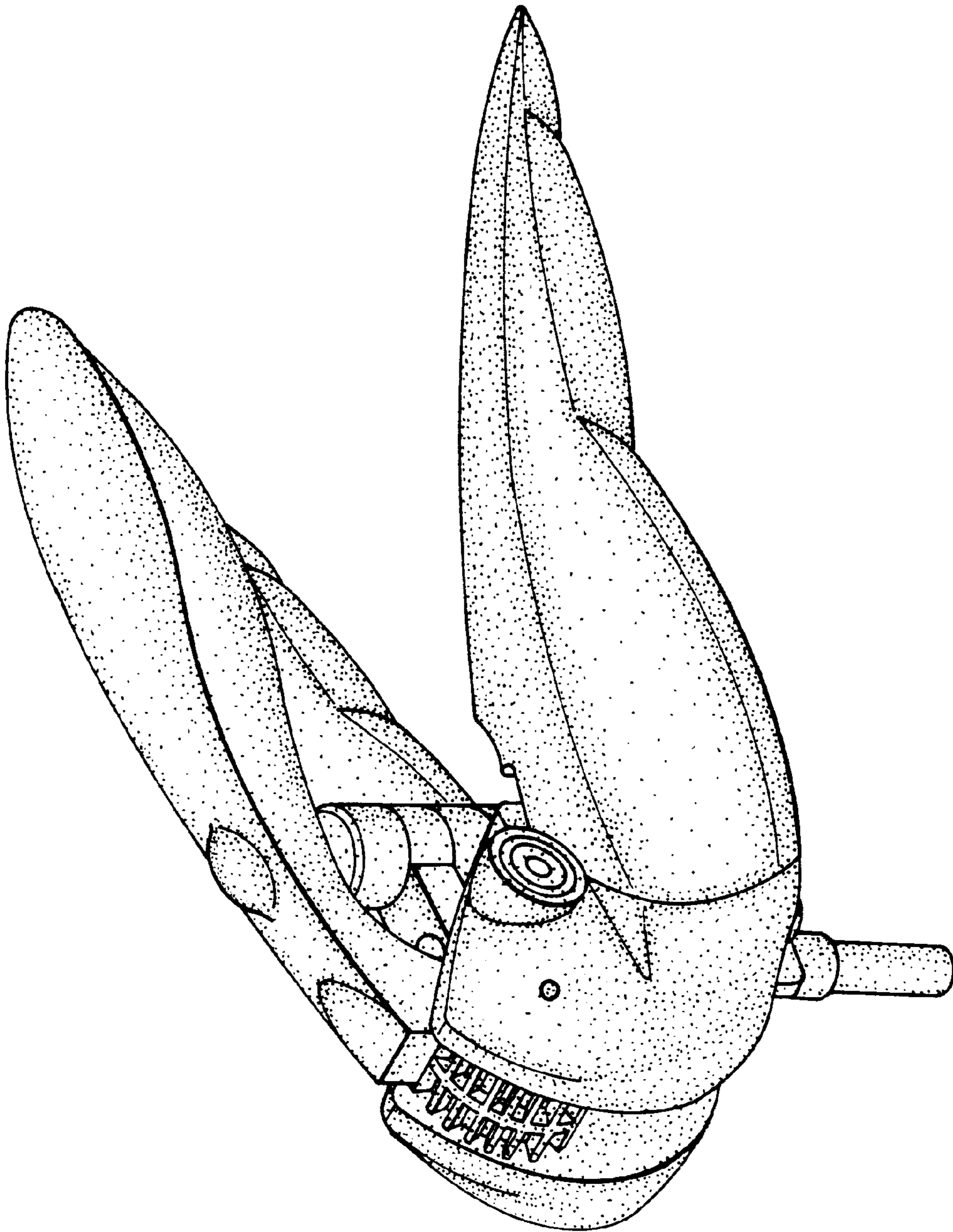


FIG. 1

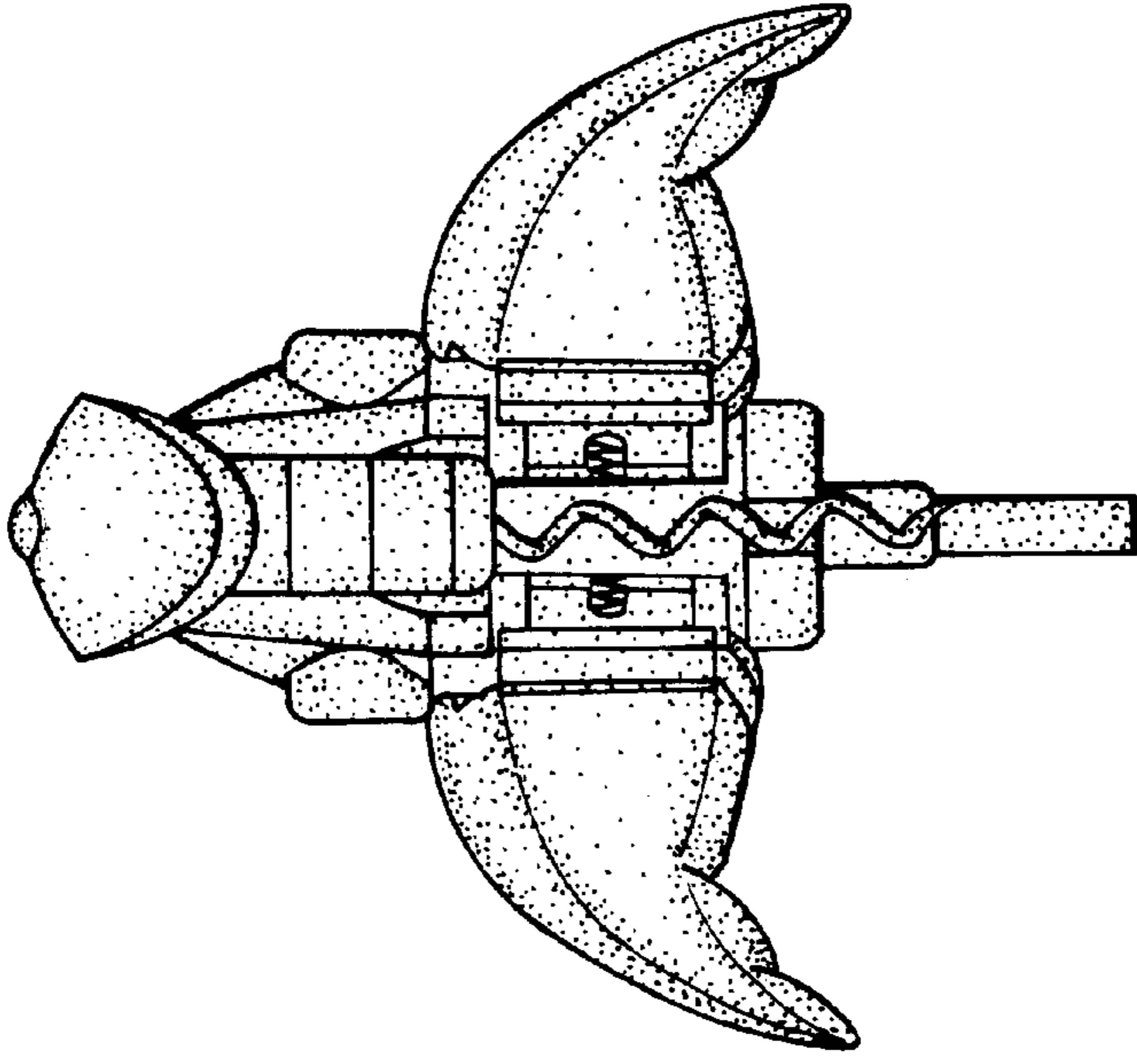


FIG. 3

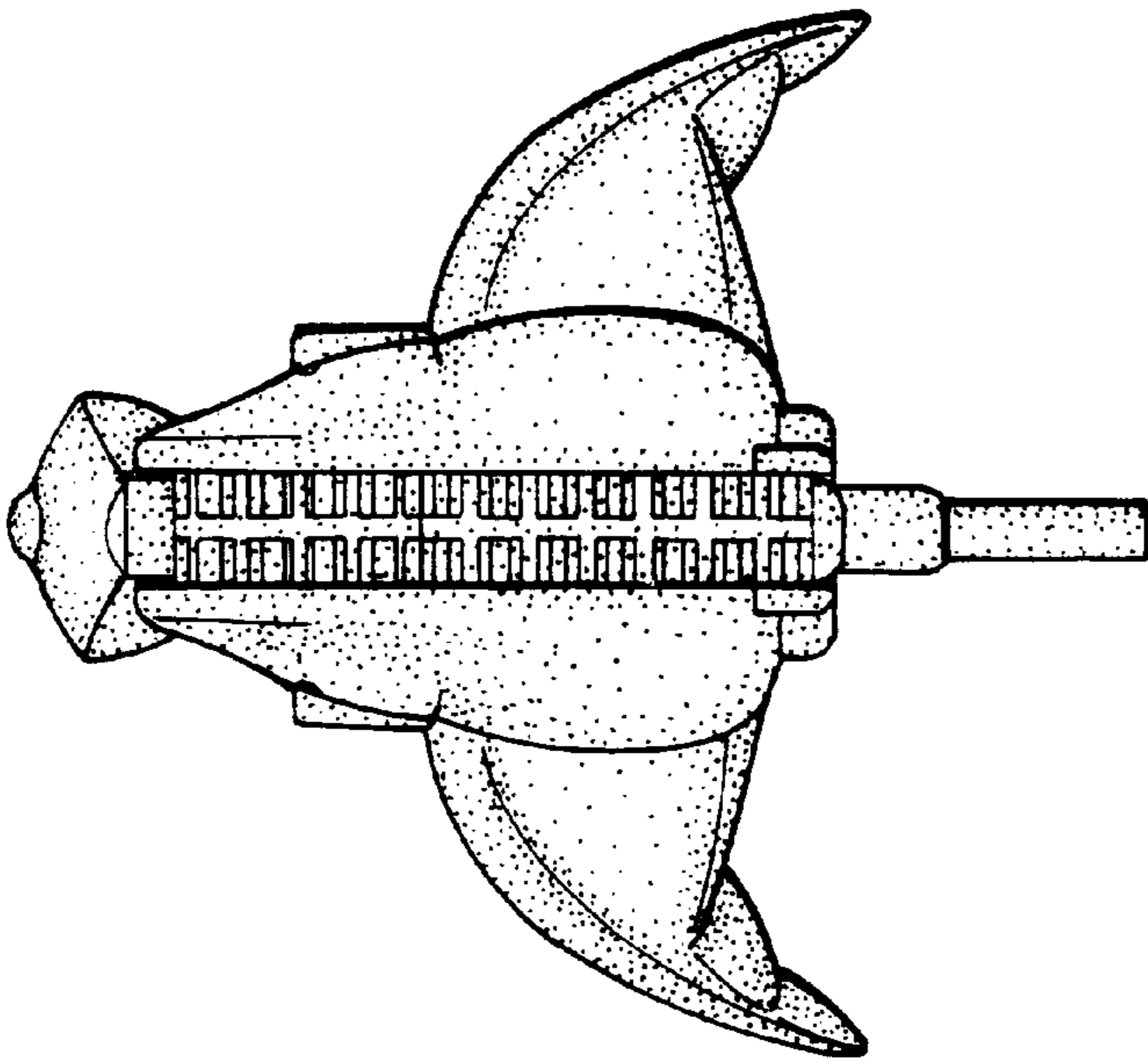


FIG. 2

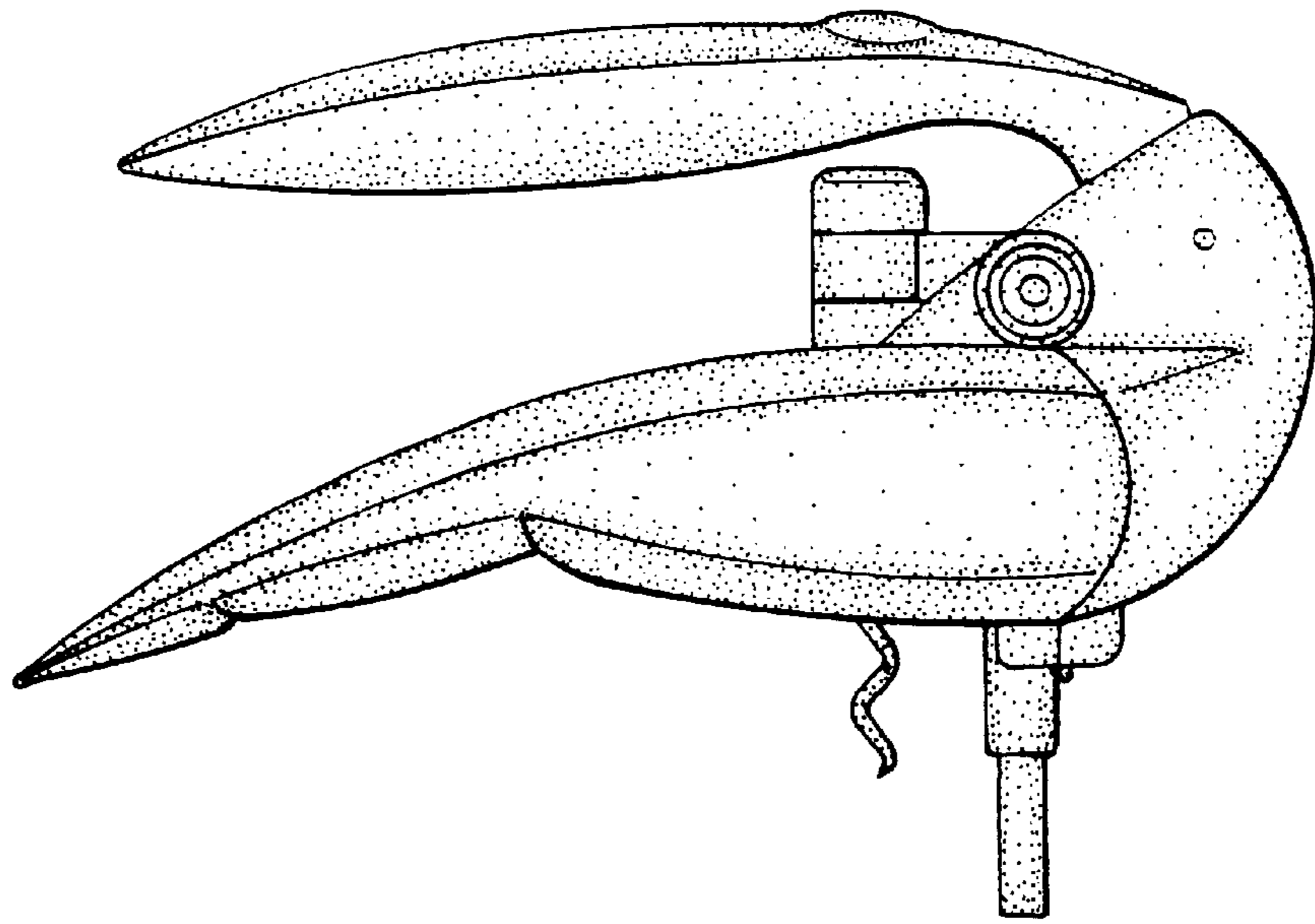


FIG. 4

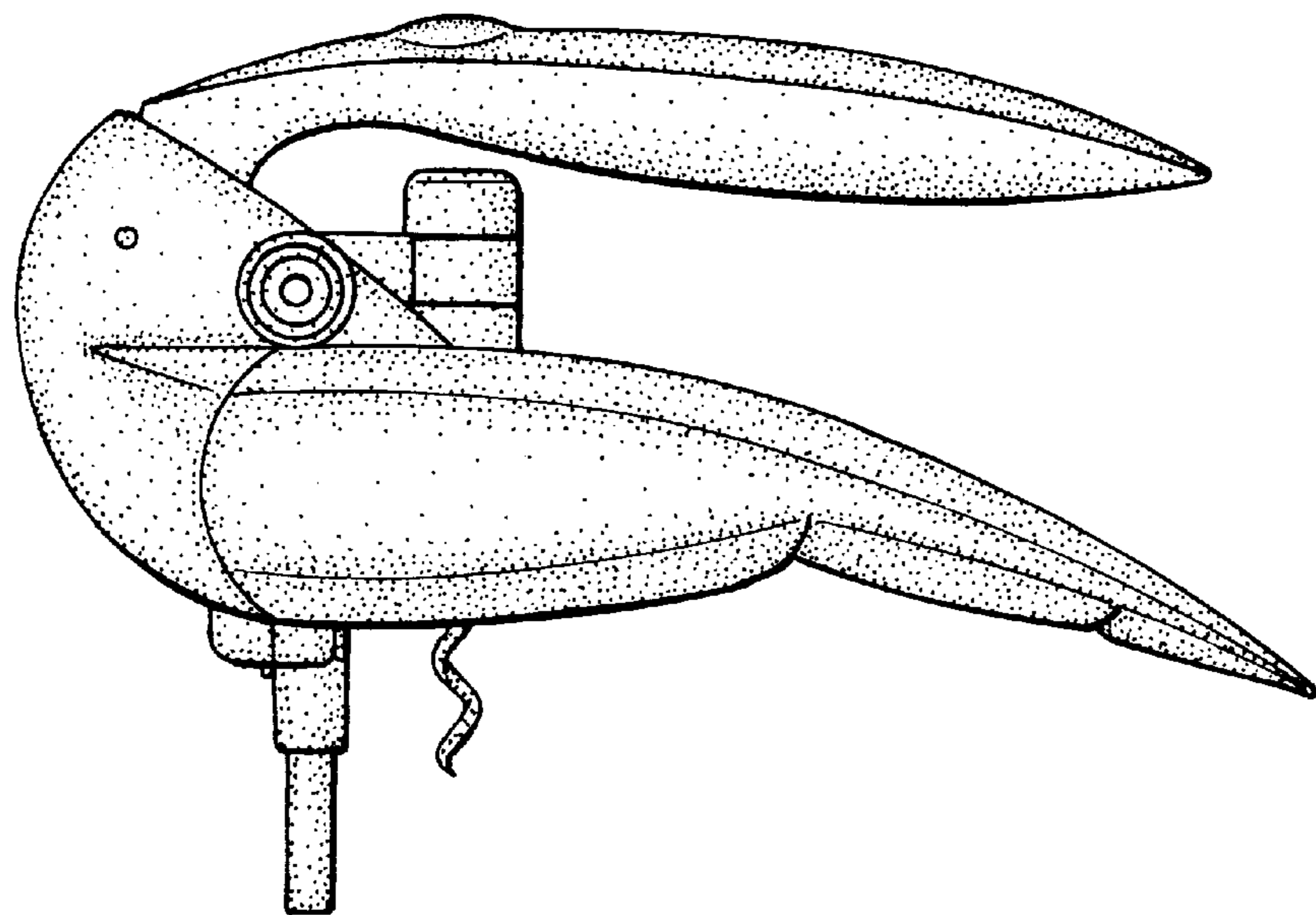


FIG. 5

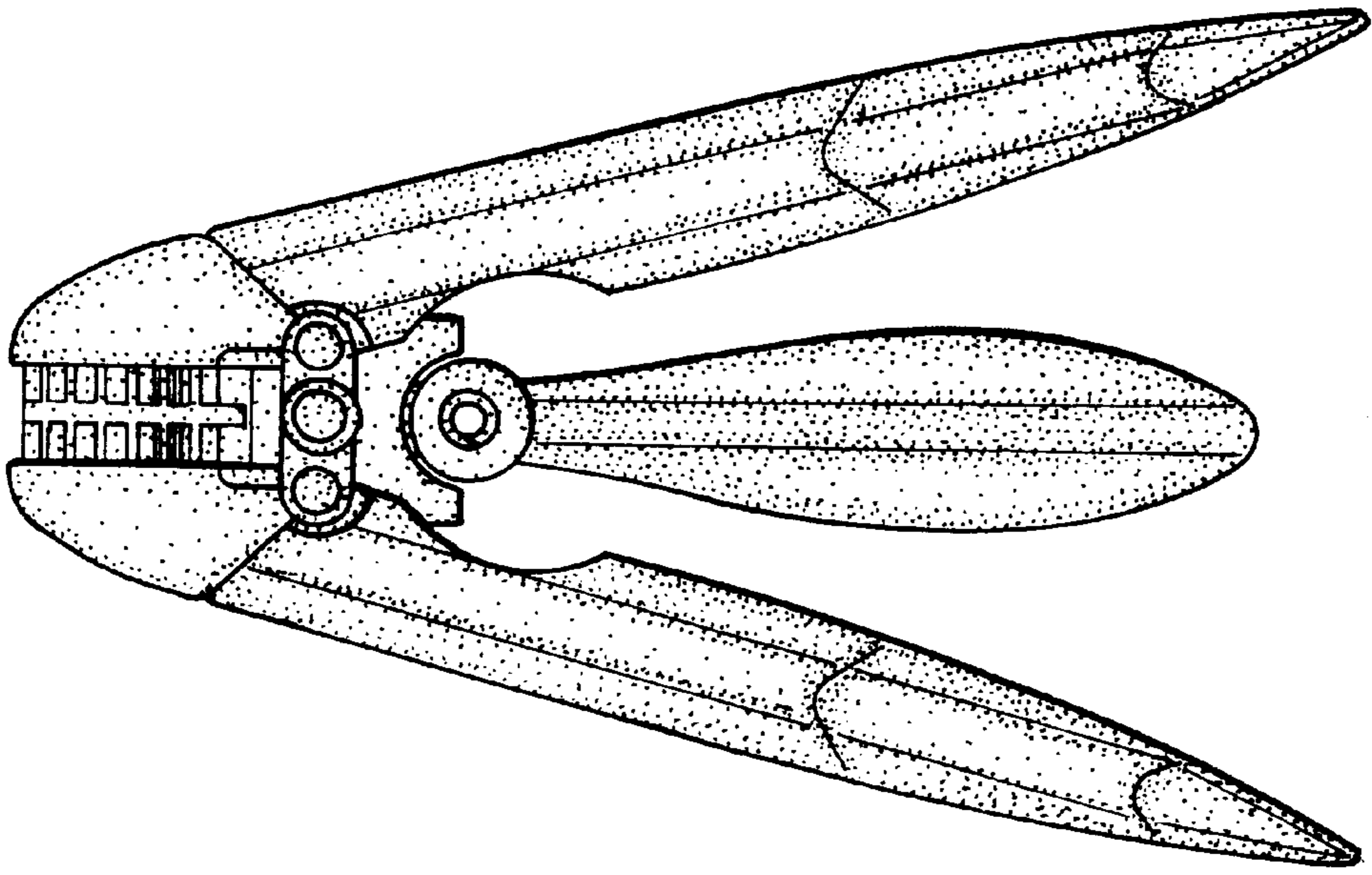


FIG. 7

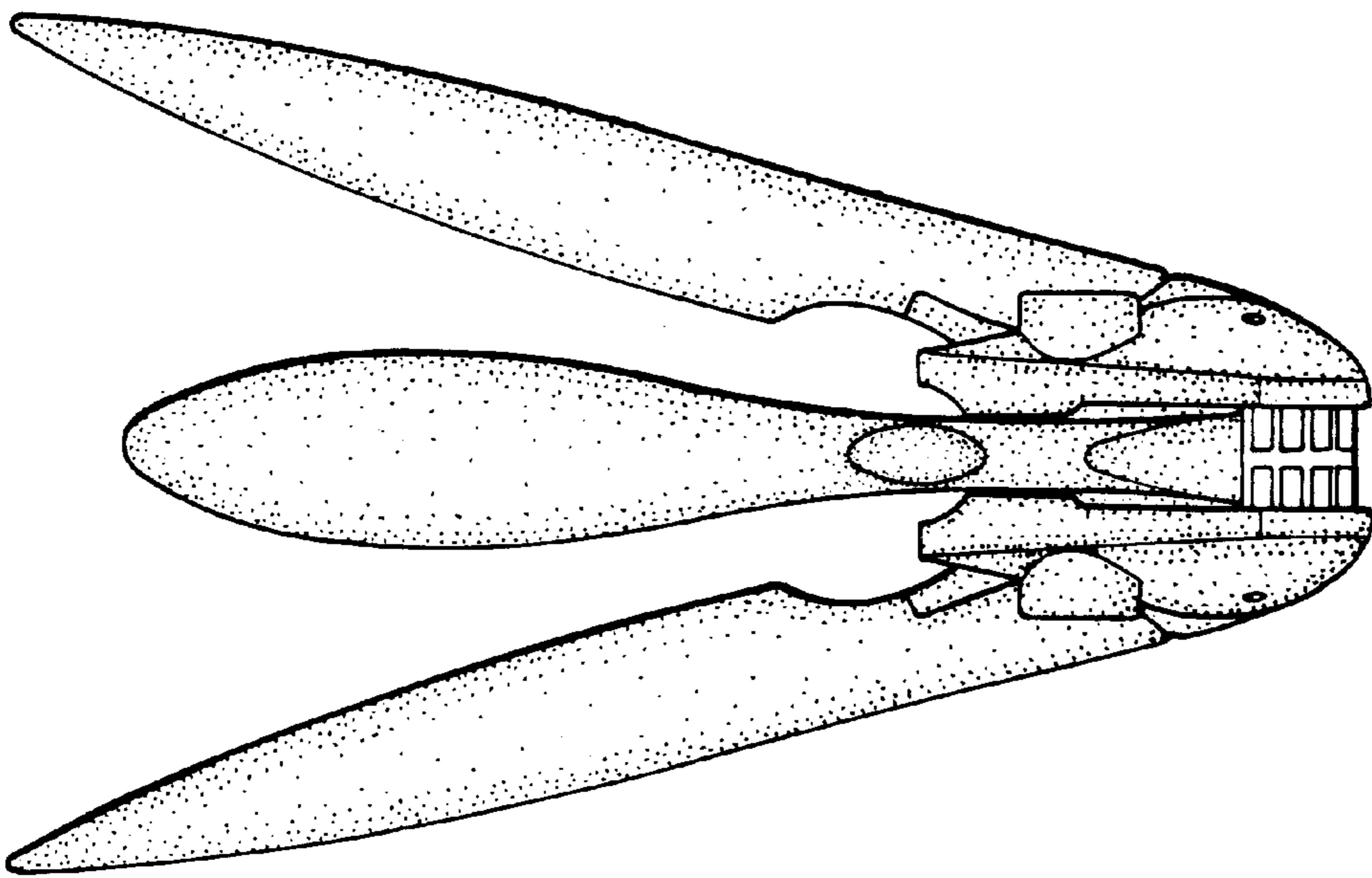


FIG. 6