



US00D420557S

United States Patent [19] Paris

[11] Patent Number: **Des. 420,557**

[45] Date of Patent: **** Feb. 15, 2000**

[54] **RAILROAD WRENCH**

[76] Inventor: **Mark Paris**, 14 William Dr., Pelham,
N.H. 03076

[**] Term: **14 Years**

[21] Appl. No.: **29/104,318**

[22] Filed: **May 3, 1999**

[51] **LOC (7) Cl.** **08-05**

[52] **U.S. Cl.** **D8/28**

[58] **Field of Search** D8/17, 28; 81/119,
81/125.1, 186

[56] **References Cited**

U.S. PATENT DOCUMENTS

D. 34,213	3/1901	Baxter	D8/28	X
D. 242,895	1/1977	Saurenman	.		
D. 363,010	10/1995	Parsons	D8/28	
D. 403,561	1/1999	Jones	D8/28	
518,328	4/1894	Oakey	D8/17	X
1,512,559	10/1924	Moore	.		
1,732,804	10/1929	Chicoine et al.	.		
1,828,142	10/1931	Herdman	81/119	X
2,530,914	11/1950	Simmons	.		

2,895,364	7/1959	Heinz	.
3,203,285	8/1965	Schmidt	.
4,691,599	9/1987	Schultz	.
4,844,416	7/1989	Hand	.
5,279,189	1/1994	Marino	.
5,322,264	6/1994	Giambro	.

FOREIGN PATENT DOCUMENTS

WO 95/03923 2/1995 WIPO .

Primary Examiner—Ted Shooman

Assistant Examiner—Richelle Shelton

Attorney, Agent, or Firm—Scott B. Garrison; Lambert & Associates, PLLC

[57] **CLAIM**

The ornamental design for a railroad wrench, as shown and described.

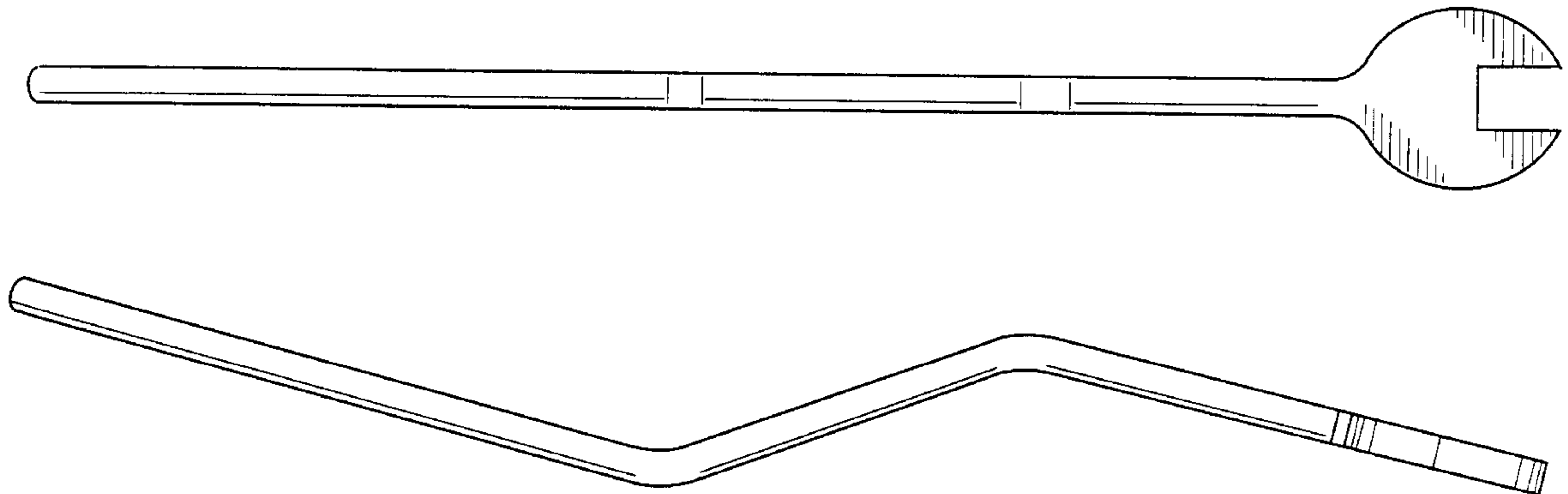
DESCRIPTION

FIG. 1 is a top plan view of a railroad wrench embodying my design;

FIG. 2 is a front elevational view thereof; and,

FIG. 3 is a side elevational view thereof, the opposite side being a mirror image.

1 Claim, 1 Drawing Sheet



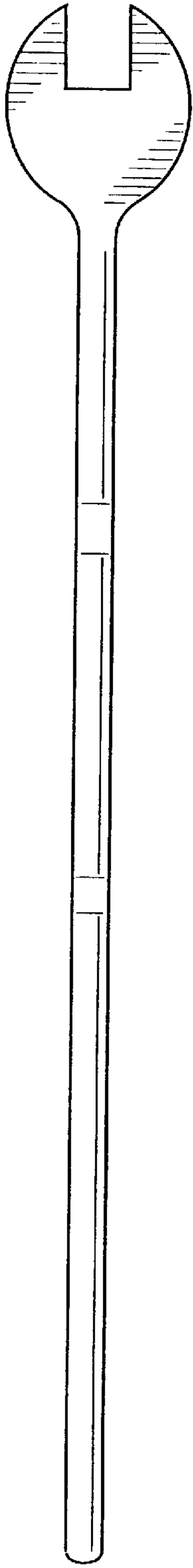


FIG. 1

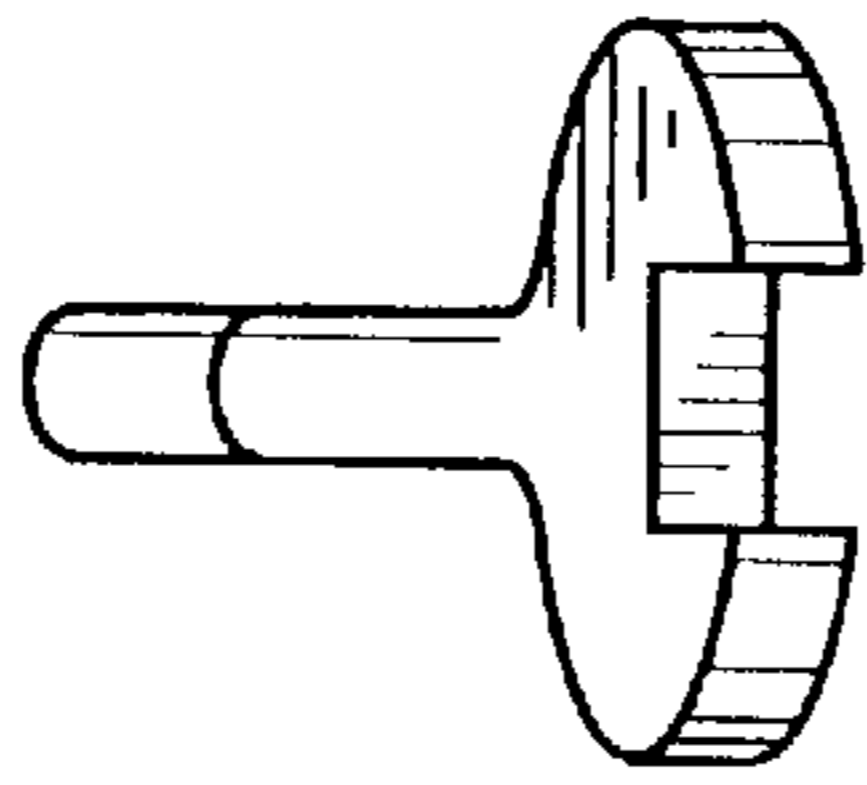


FIG. 2

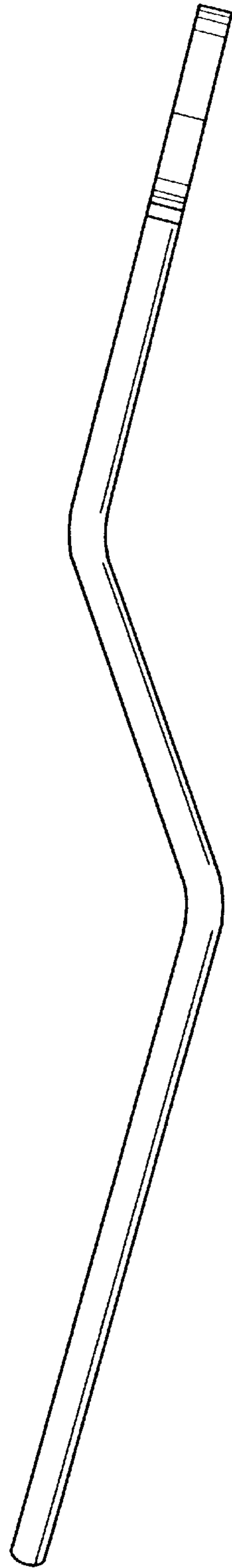


FIG. 3