



US00D420553S

United States Patent [19]
Bell

[11] **Patent Number: Des. 420,553**

[45] **Date of Patent: ** Feb. 15, 2000**

[54] **SET OF FOOD-FORMING MOLDS**

[76] Inventor: **Nancy L. Bell**, 6505 Wildwood,
Brookpark, Ohio 44142

[**] Term: **14 Years**

[21] Appl. No.: **29/085,602**

[22] Filed: **Mar. 26, 1998**

Related U.S. Application Data

[60] Provisional application No. 60/042,547, Mar. 27, 1997.

[51] **LOC (7) Cl.** **07-04**

[52] **U.S. Cl.** **D7/672; D1/104**

[58] **Field of Search** **D7/672, 675, 677;**
D1/102, 104, 105; 99/426, 353, 428, 430,
439; 30/316, 325; 426/496, 653; 425/470

[56] **References Cited**

U.S. PATENT DOCUMENTS

D. 227,533	7/1973	Christell	D7/672
2,312,046	2/1943	Neilson	99/426
3,060,494	6/1962	Noble	99/426
4,345,516	8/1982	Sinclair	99/426
5,230,156	7/1993	Patenaude	30/325
5,752,432	5/1998	Burchfield	99/426

OTHER PUBLICATIONS

Printed advertisement for pancake and egg molds shaped like hearts, teddy bears, dinosaurs and circles, undated.

Printed advertisement for non-stick mini loaf pans and stainless steel covered butter dishes, undated.

Product packaging for round egg and pancake rings, undated.

Primary Examiner—Pamela Burgess
Attorney, Agent, or Firm—Vickers, Daniels & Young

[57] **CLAIM**

The ornamental design for a set of food-forming molds, as shown and described.

DESCRIPTION

FIG. 1 is a top plan view of a first mold from the set of food-forming molds showing my new design;

FIG. 2 is a top plan view of a second mold thereof;

FIG. 3 is a top plan view of a third mold thereof;

FIG. 4 is a top plan view of a fourth mold thereof;

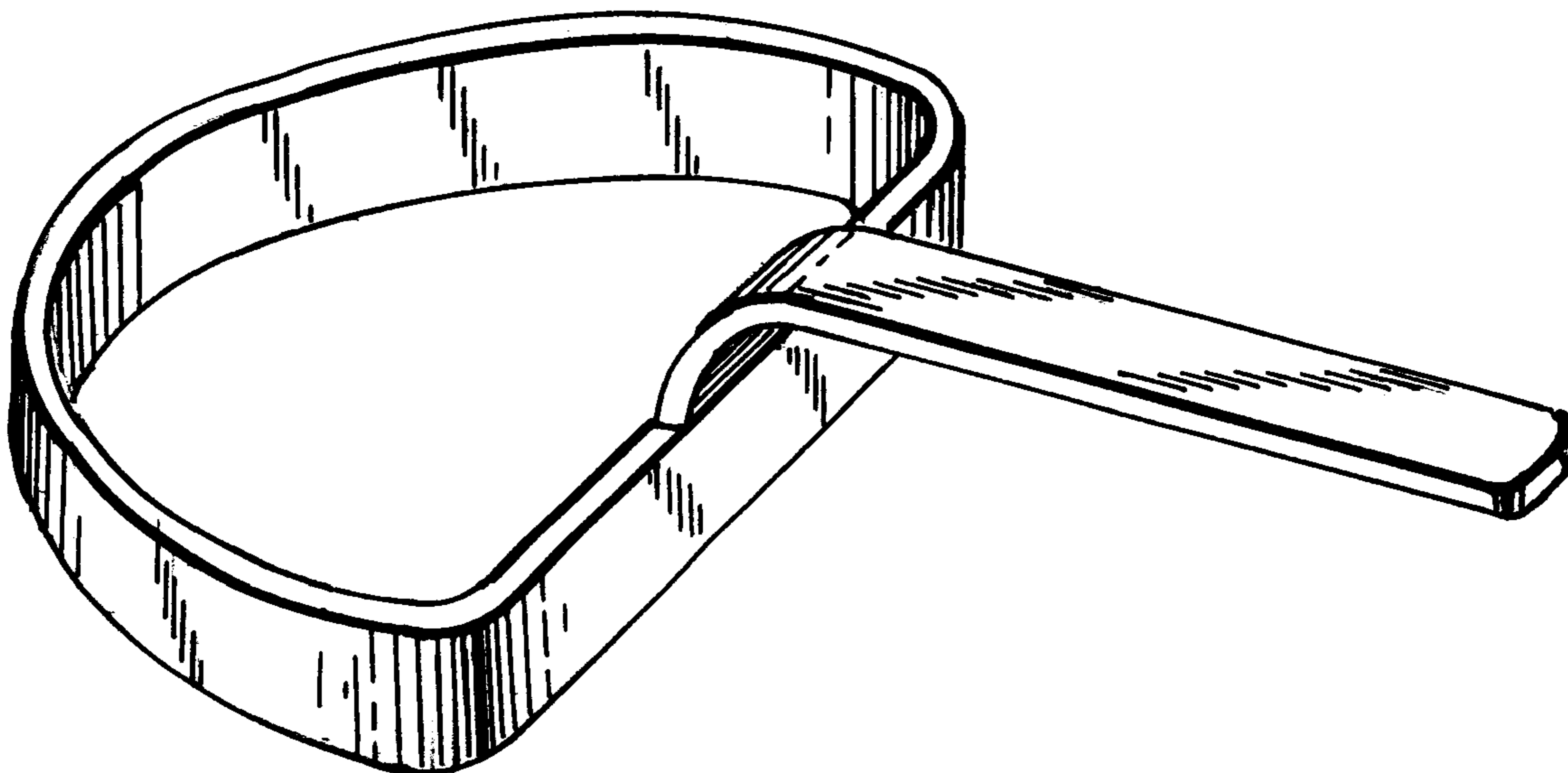
FIG. 5 is a top plan view of a fifth mold thereof; and,

FIG. 6 is a top perspective view of FIG. 4, it being understood that FIGS. 1, 2, 3, and 5 are the basically the same.

It is understood that the undisclosed bottom surfaces of all views are flat and unornamented.

It is understood that FIGS. 1-6 constitutes a set and brackets used to show the association of articles within a set have been omitted for convenience of illustration.

1 Claim, 2 Drawing Sheets



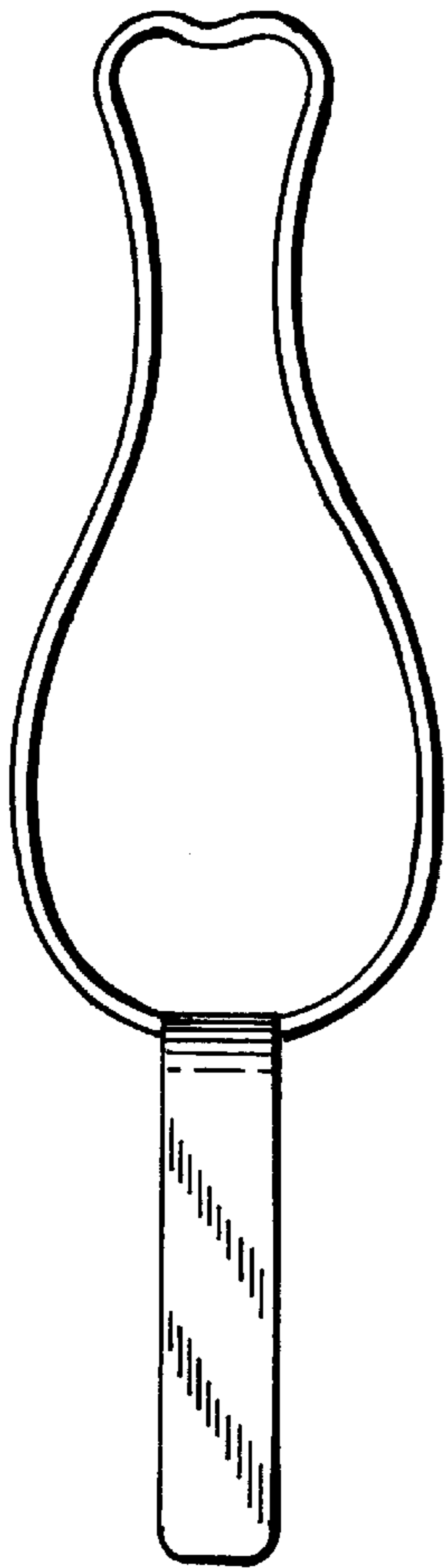


FIG. 1

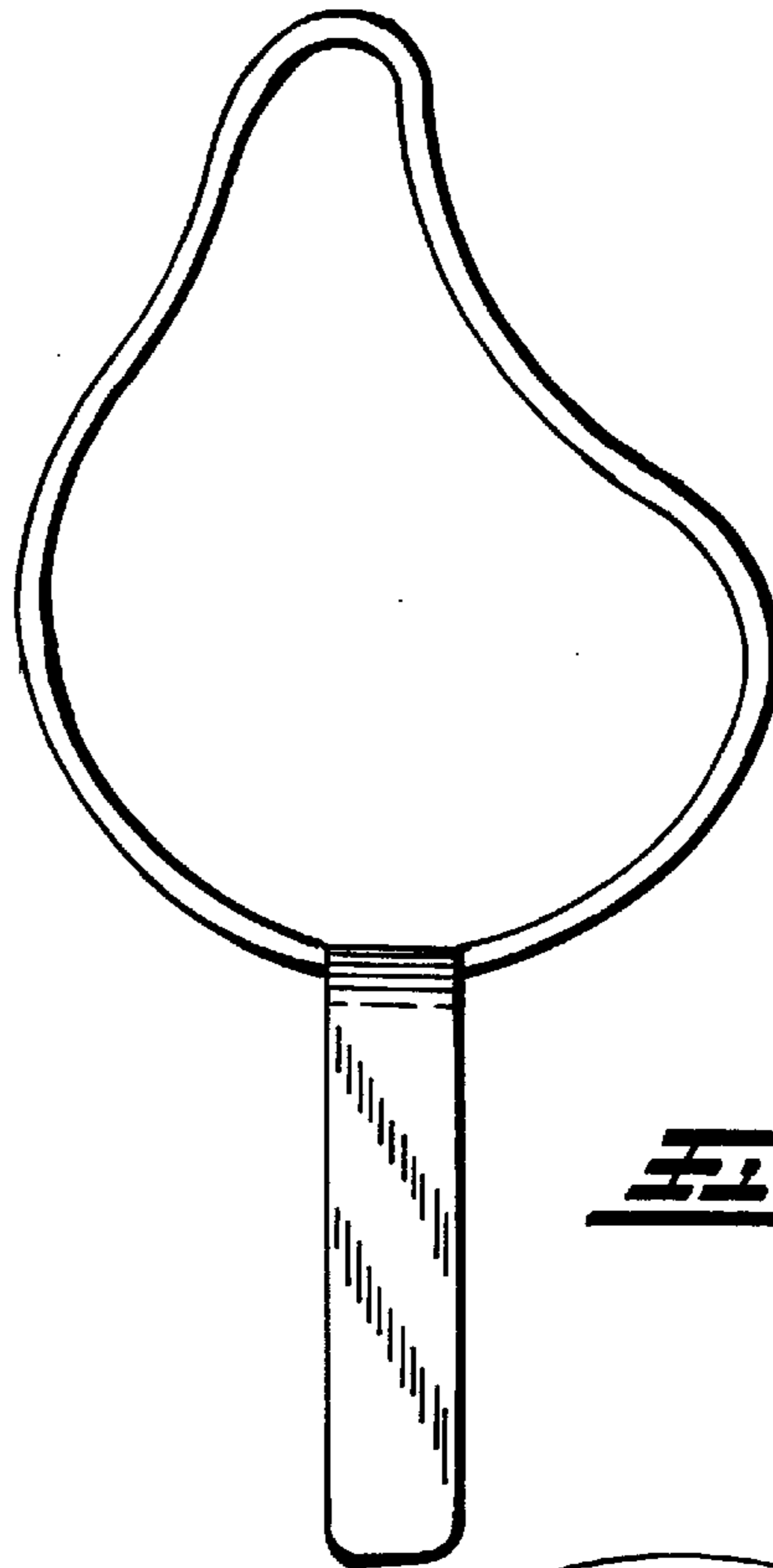


FIG. 2

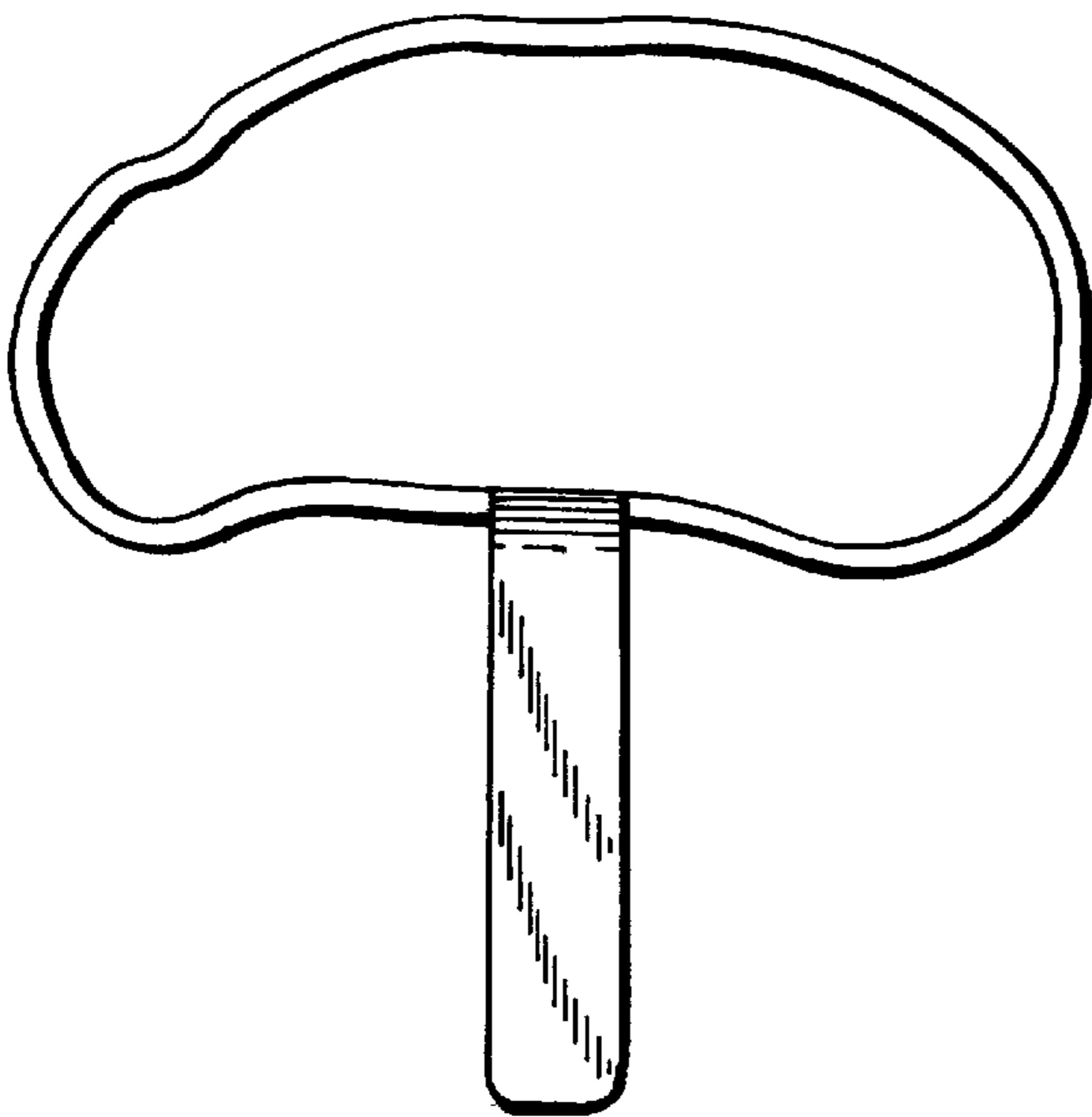


FIG. 3

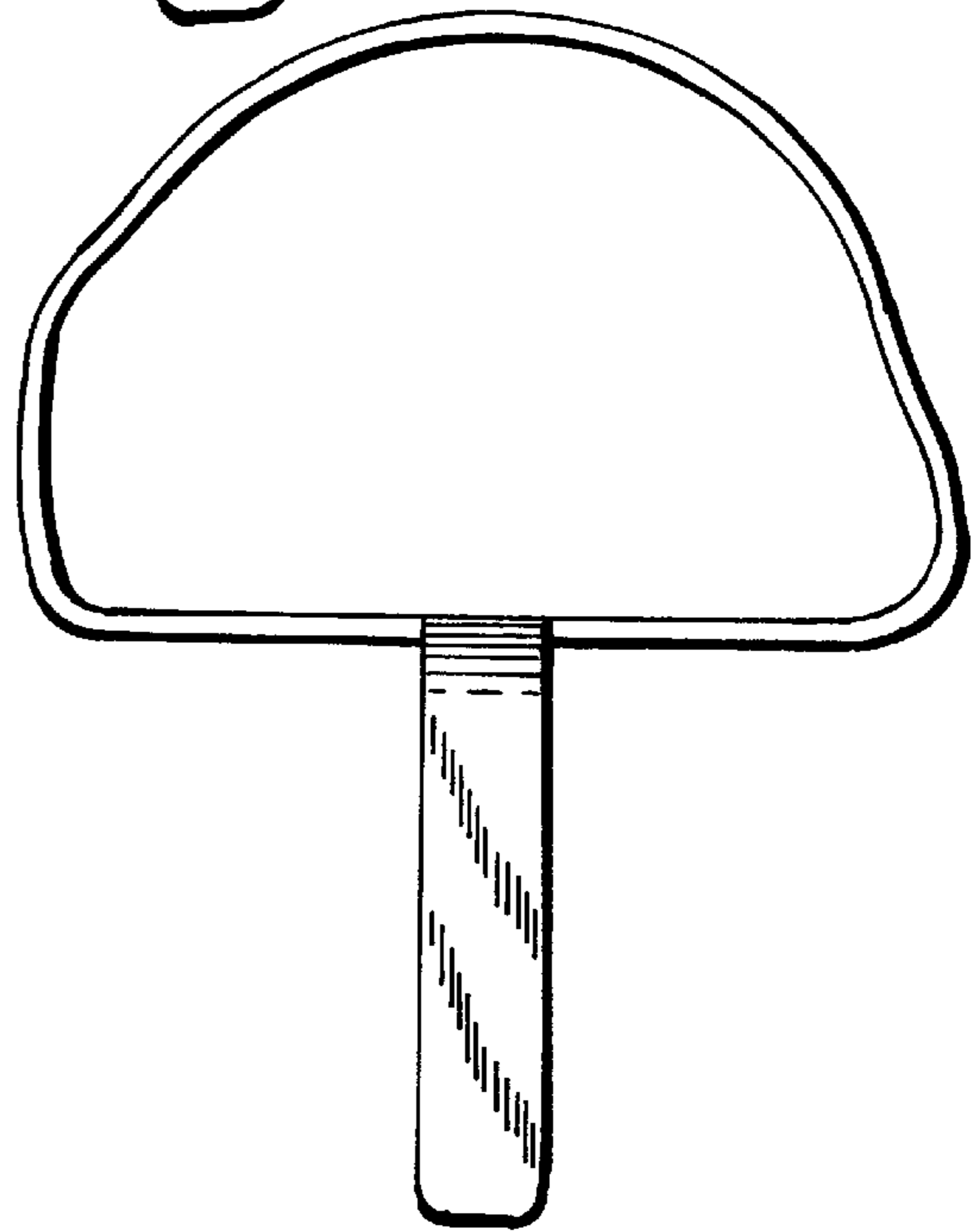


FIG. 4

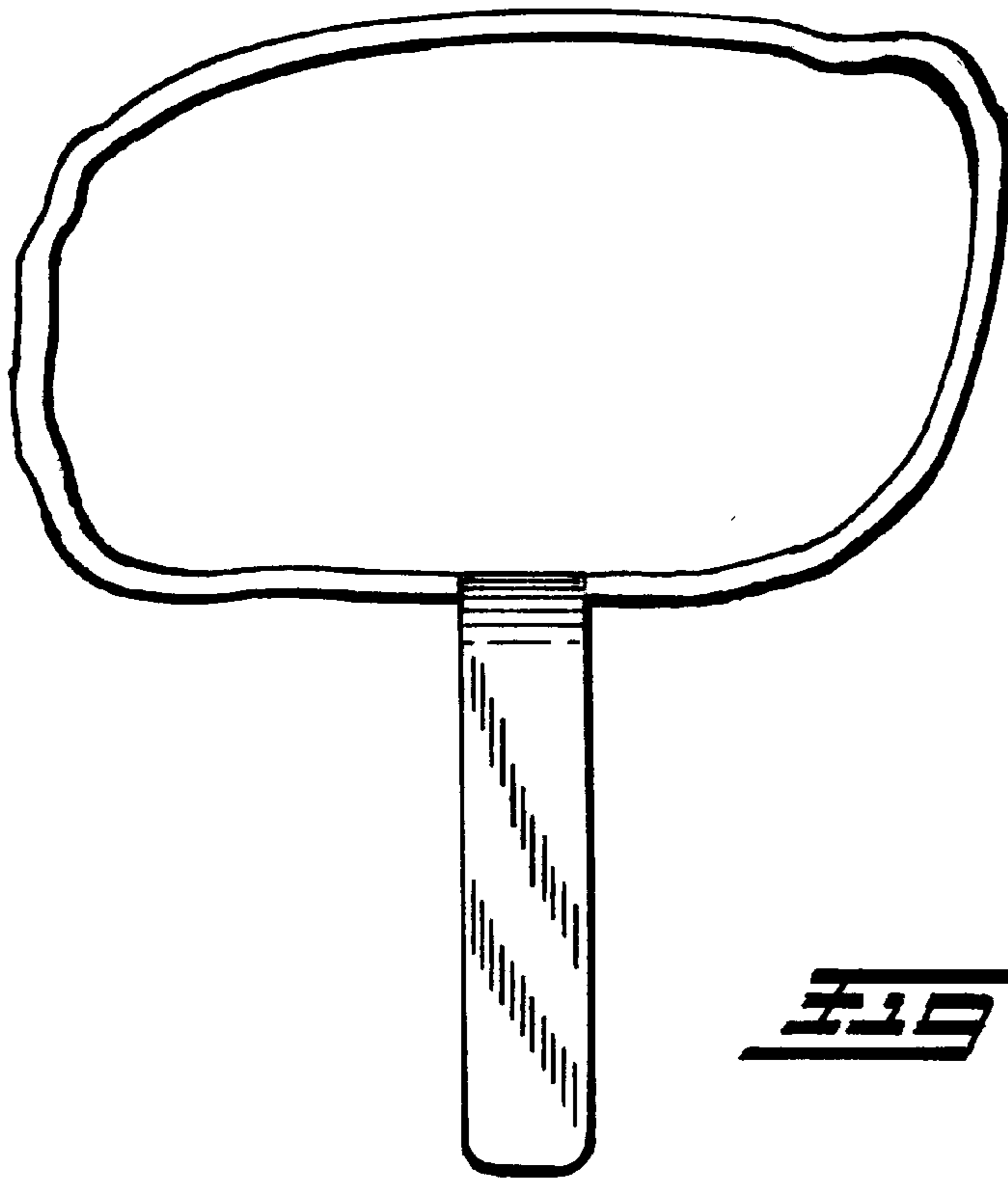


FIG. 5

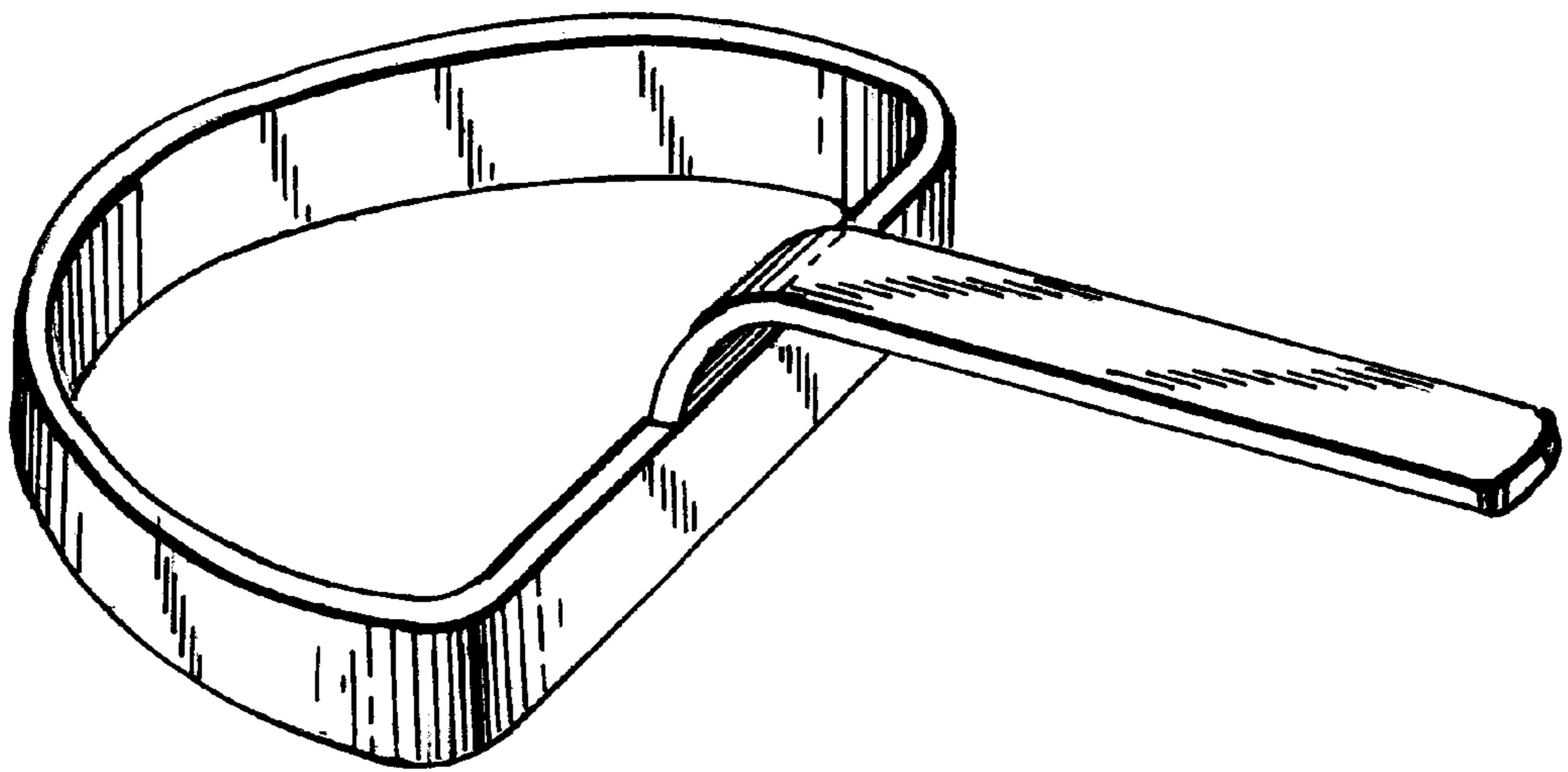


FIG. 6