



US00D420550S

United States Patent [19] Elshof

[11] Patent Number: **Des. 420,550**

[45] Date of Patent: **** Feb. 15, 2000**

[54] TRAVEL MUG

[75] Inventor: **Robert Elshof**, Fort Collins, Colo.

[73] Assignee: **Teledyne Industries, Inc.**, Los Angeles, Calif.

[**] Term: **14 Years**

[21] Appl. No.: **29/087,994**

[22] Filed: **May 13, 1998**

[51] LOC (7) Cl. **07-01**

[52] U.S. Cl. **D7/510; D7/511; D7/536**

[58] Field of Search D7/507, 509, 513, D7/510, 511, 608, 619, 622, 624, 523, 533, 534, 514, 515, 625, 512, 532, 605; 270/669, 737, 673, 675, 672, 630, 713; 215/227; D12/417, 415

[56] **References Cited**

U.S. PATENT DOCUMENTS

D. 214,458	6/1969	Riley	D7/533
D. 290,568	6/1987	Feltman et al.	D7/536
D. 333,067	2/1993	Feltman, III	D7/536
D. 336,825	6/1993	Ivey	D7/605
D. 351,314	10/1994	Sokolski et al.	D7/536
D. 366,597	1/1996	Smith et al.	D7/536
D. 370,156	5/1996	Feltman, III et al.	D7/536
D. 382,174	8/1997	Grimm	D7/510
4,040,549	8/1977	Sadler	D7/536 X

4,276,992	7/1981	Susich	D7/536 X
4,618,066	10/1986	Vail	D7/536 X
5,217,141	6/1993	Ross	220/713
5,477,979	12/1995	Goessling et al.	220/713
5,531,353	7/1996	Ward et al.	220/630 X

Primary Examiner—M. N. Pandozzi
Attorney, Agent, or Firm—Akin, Gump, Strauss, Hauer & Feld, L.L.P.

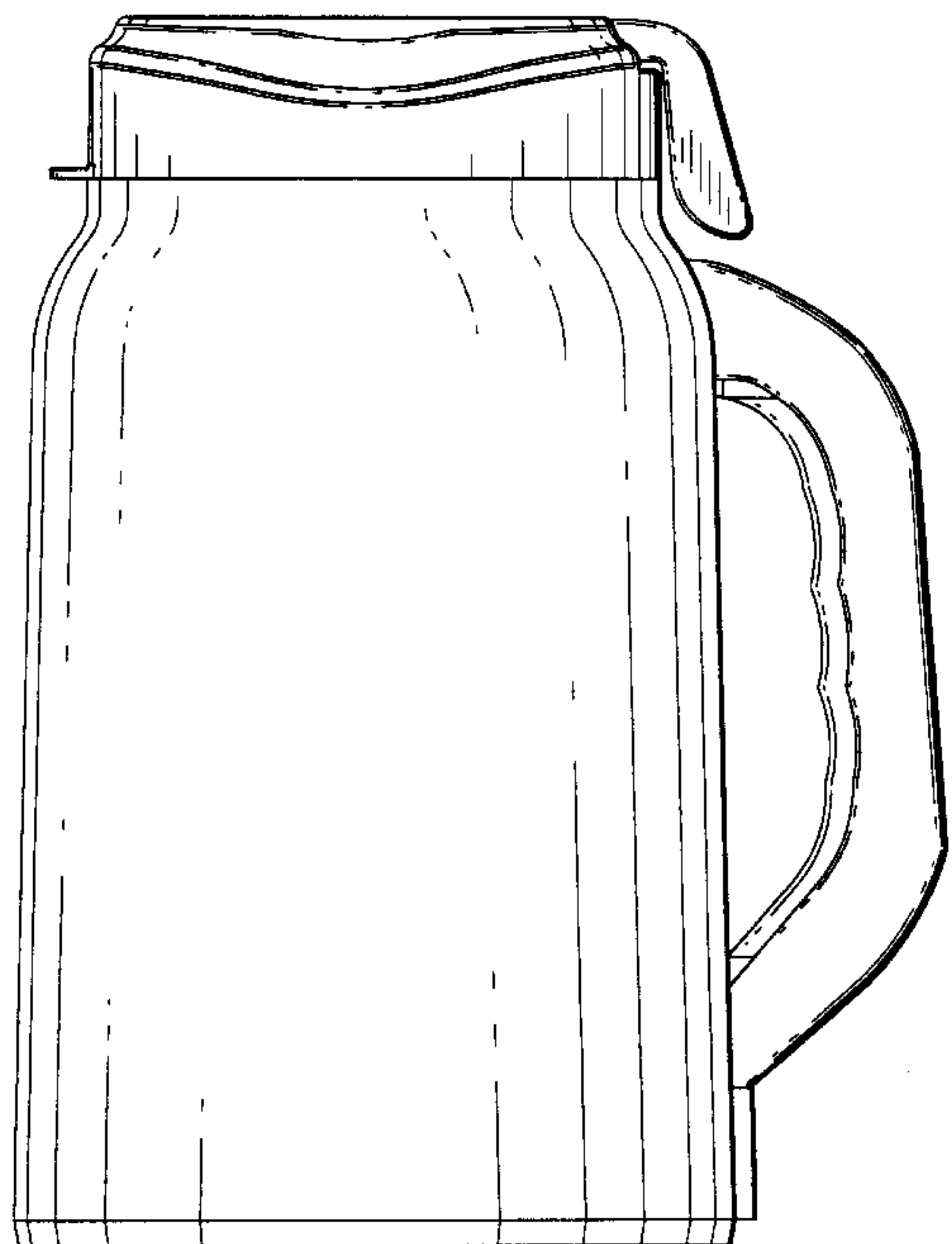
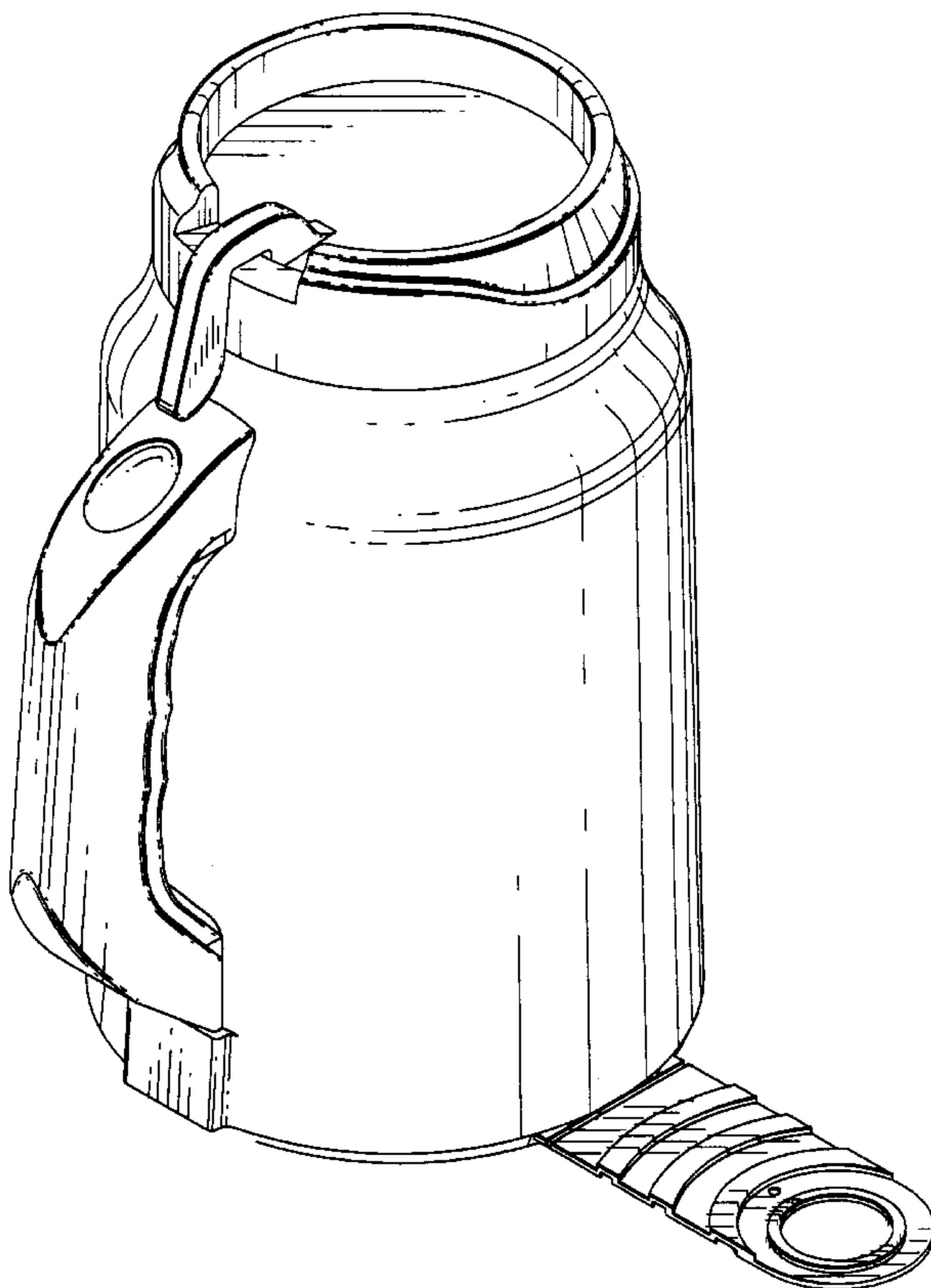
[57] **CLAIM**

The ornamental design for a travel mug, as shown and described.

DESCRIPTION

FIG. 1 is a perspective view of the travel mug constructed according to the present invention;
FIG. 2 is a front elevational view of the invention illustrated in FIG. 1;
FIG. 3 is a rear elevational view of the invention illustrated in FIG. 1;
FIG. 4 is a right side elevational view of the invention illustrated in FIG. 1;
FIG. 5 is a left side elevational view of the invention illustrated in FIG. 1;
FIG. 6 is a top view of the invention illustrated in FIG. 1; and,
FIG. 7 is a bottom view of the invention illustrated in FIG. 1.

1 Claim, 7 Drawing Sheets



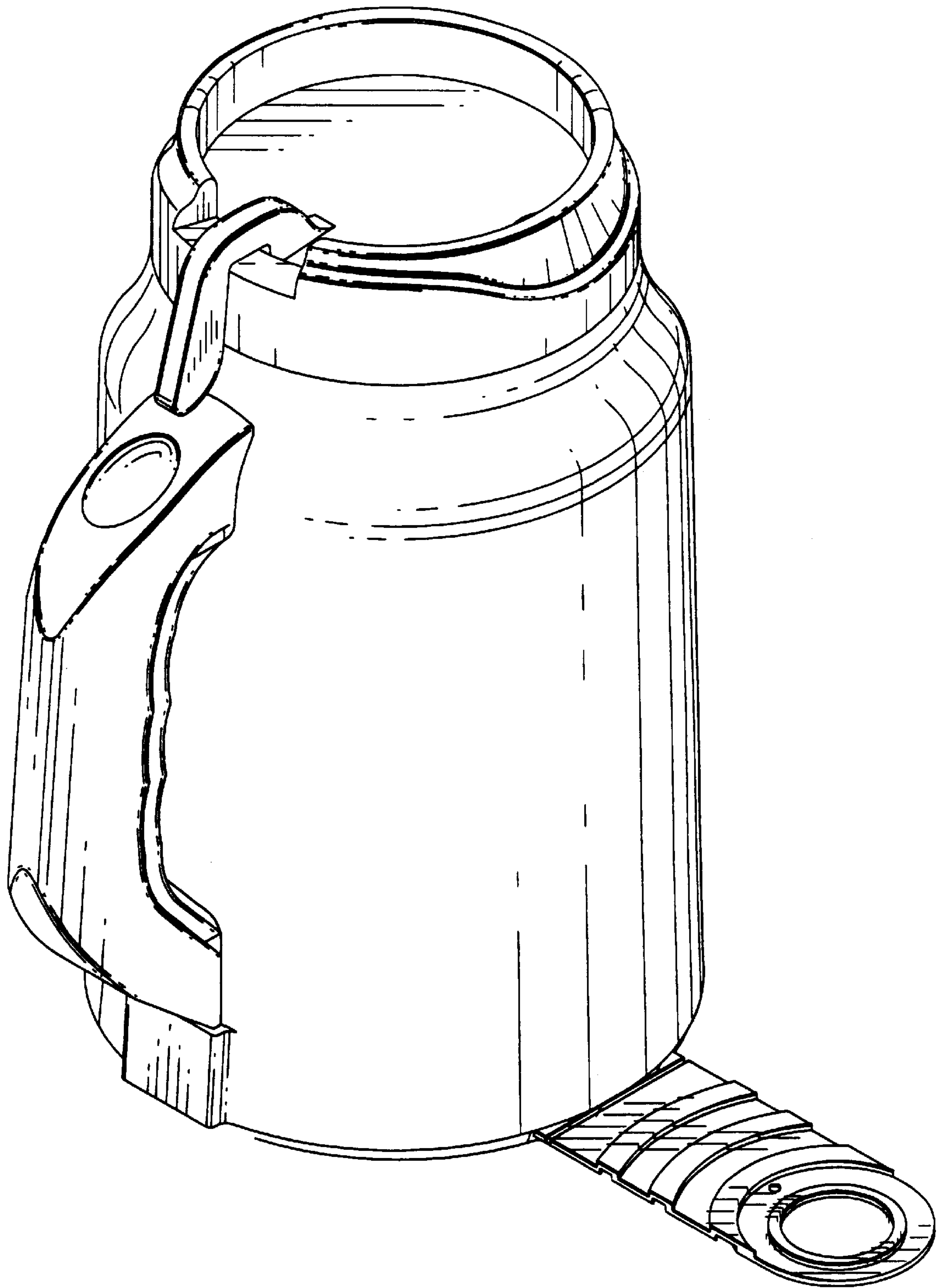


FIG. 1

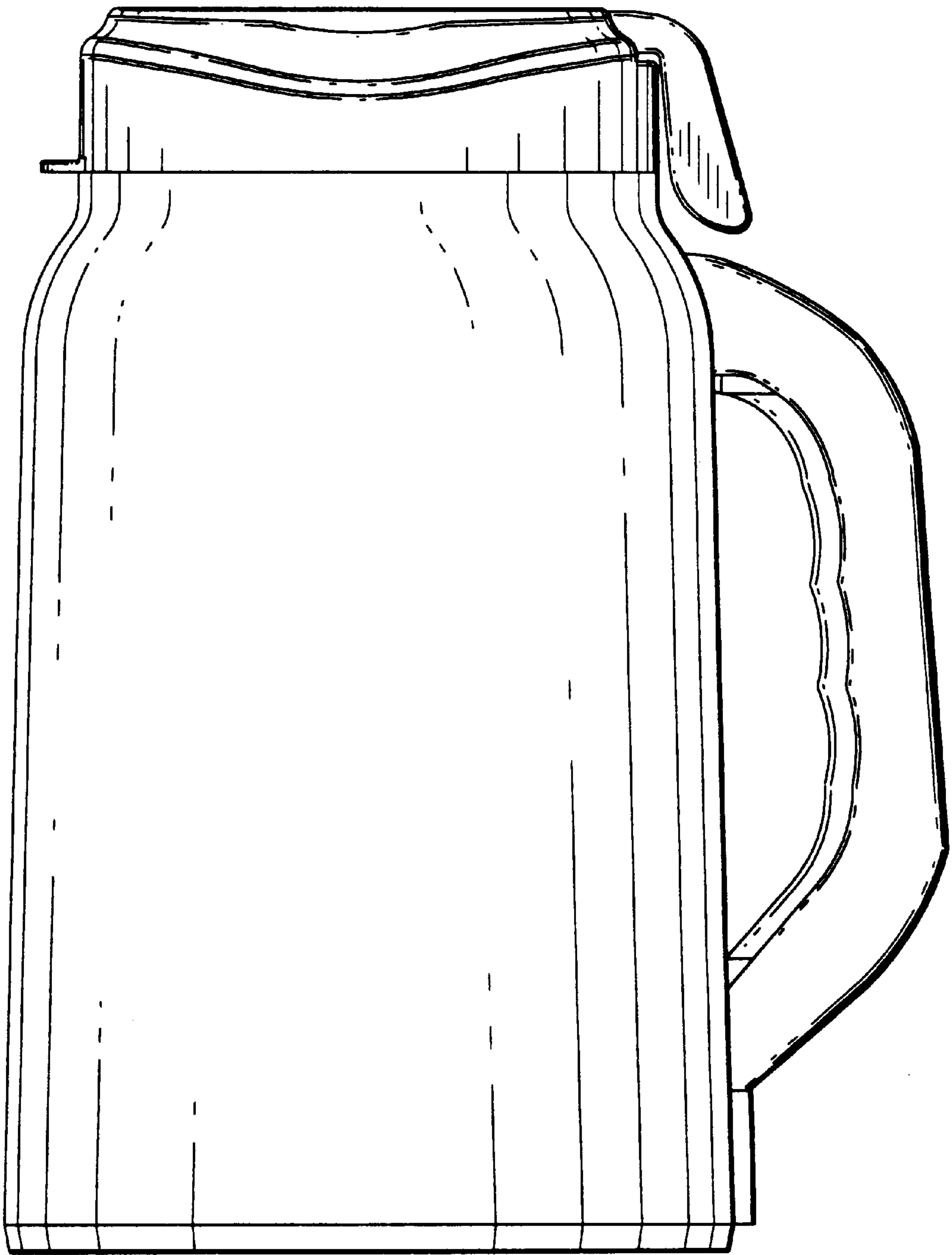


FIG.2

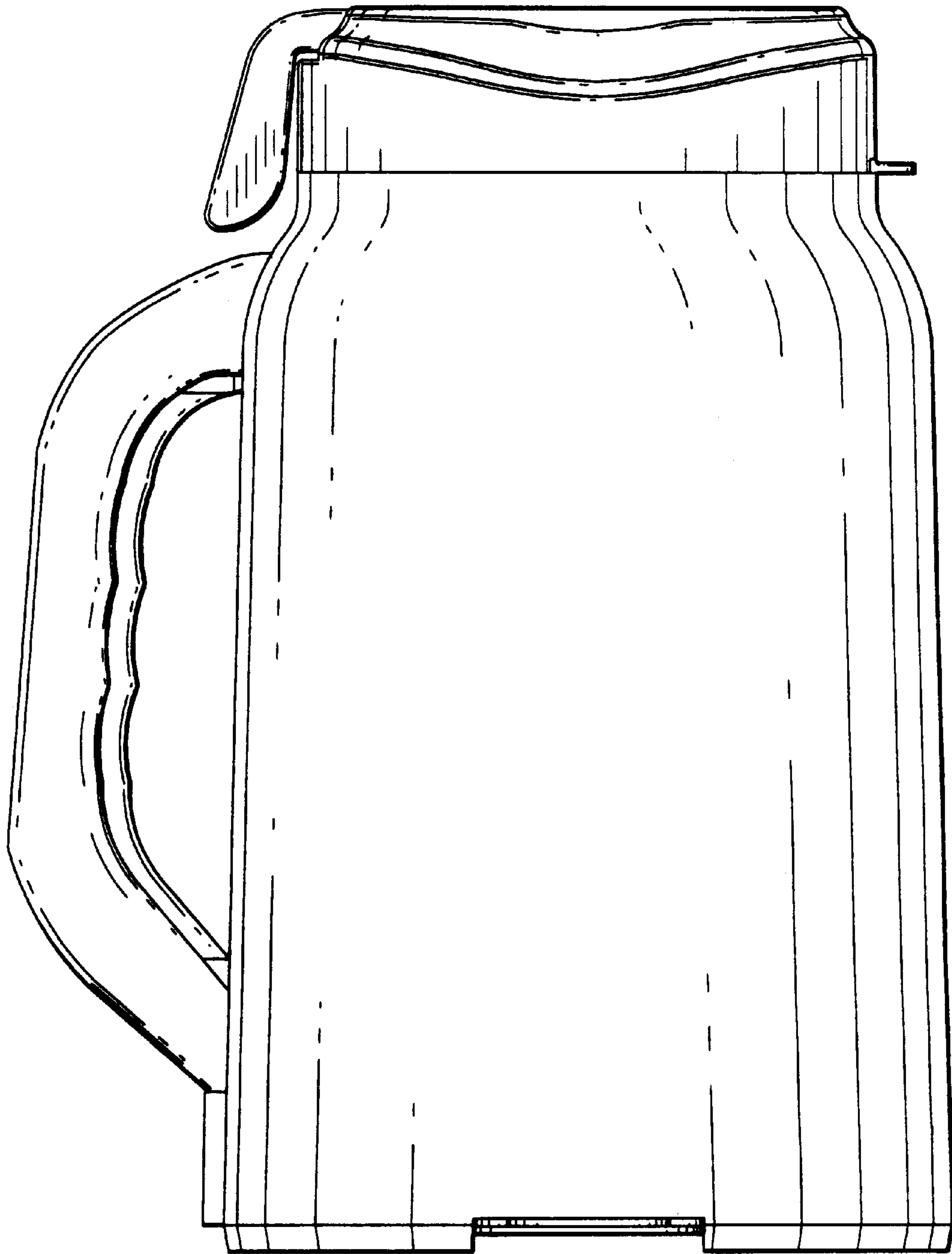


FIG. 3

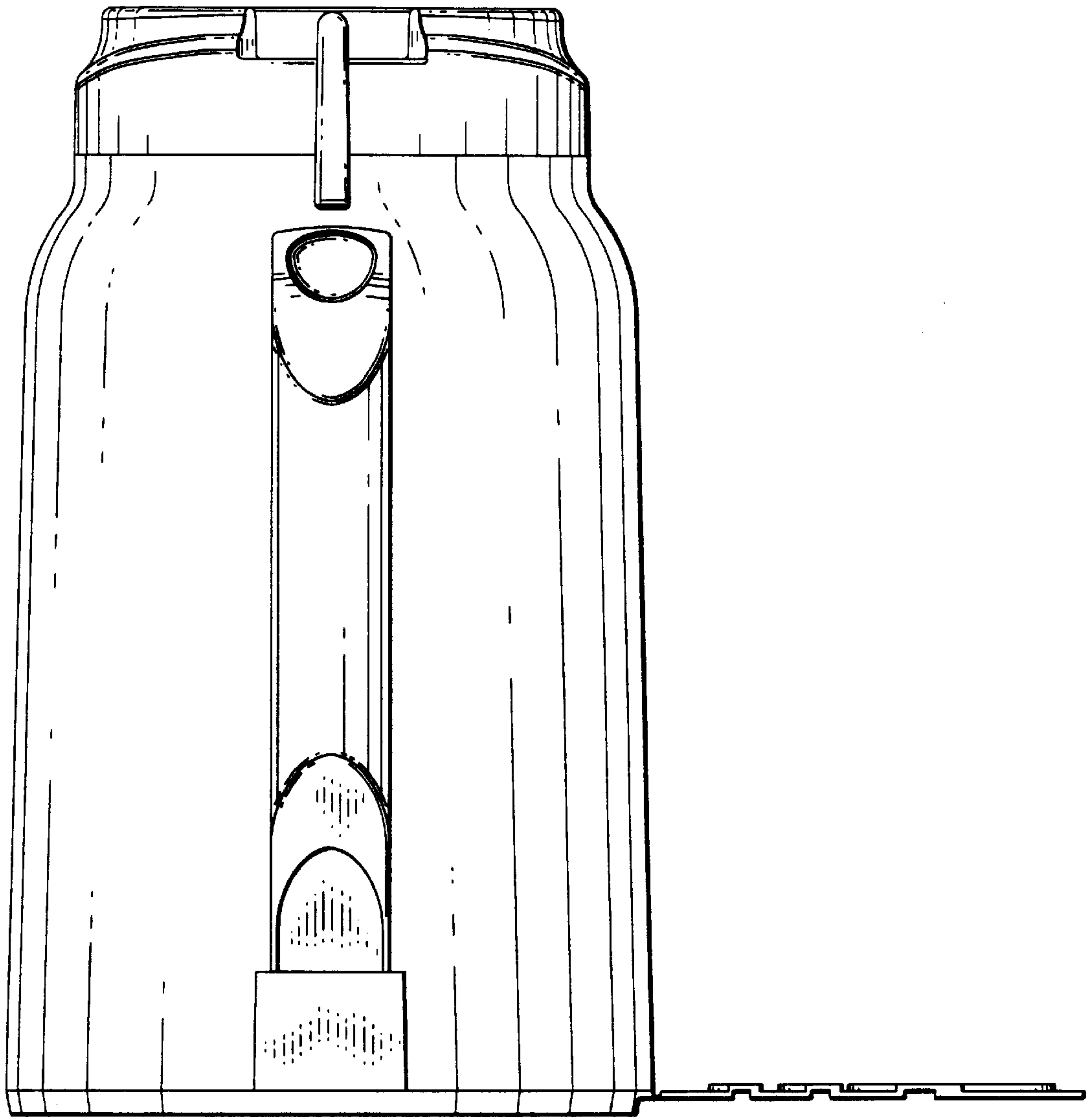


FIG. 4

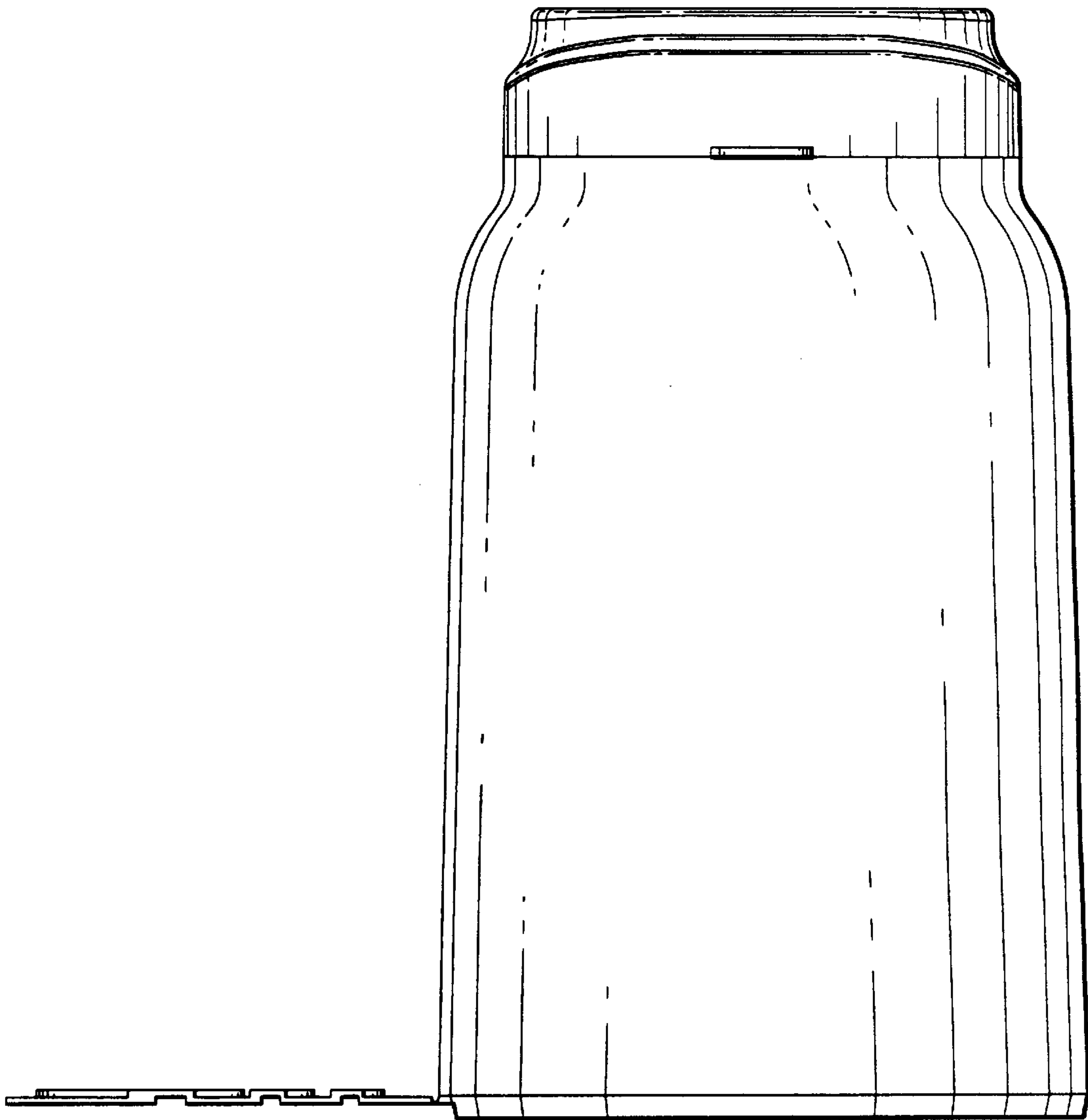


FIG. 5

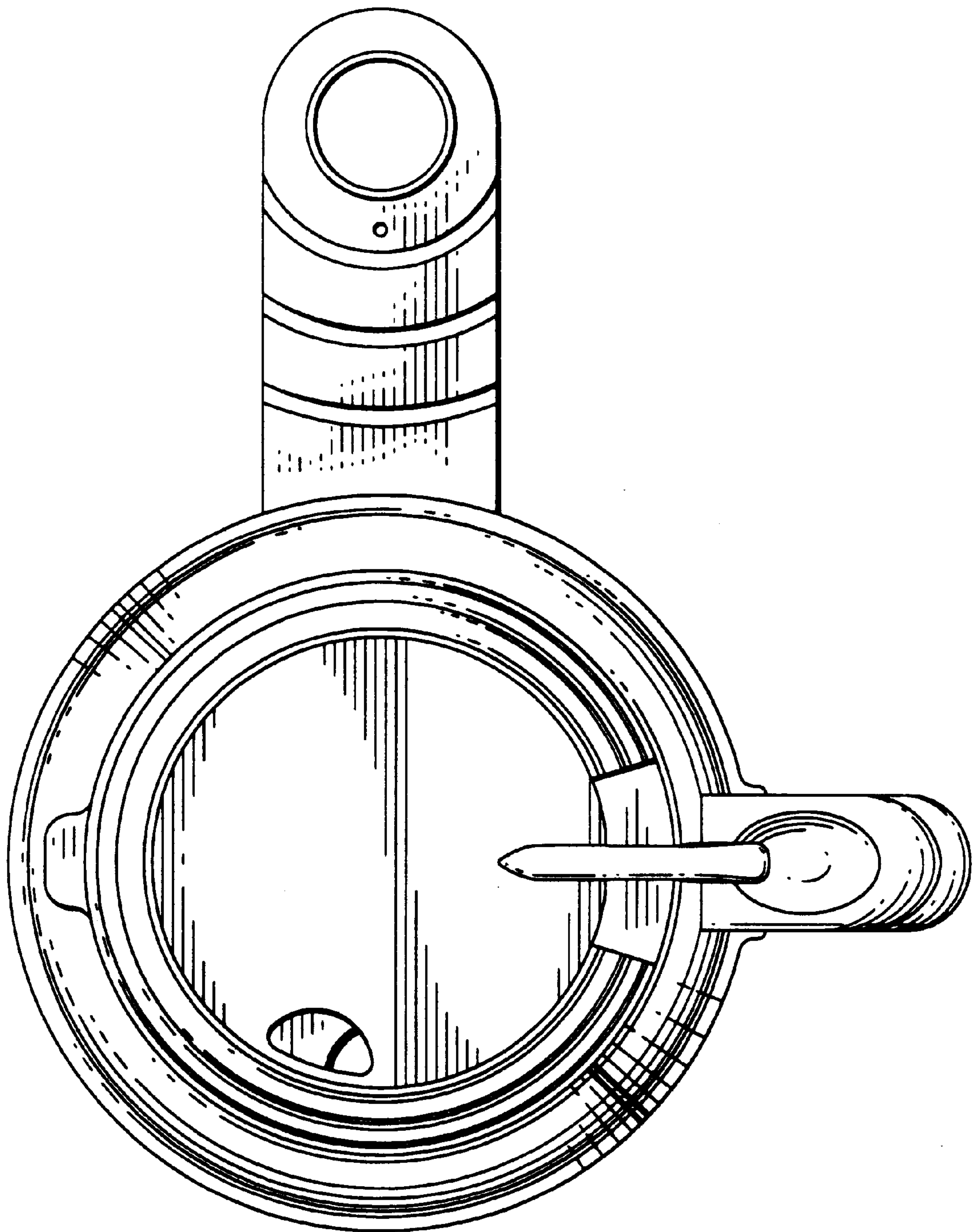


FIG. 6

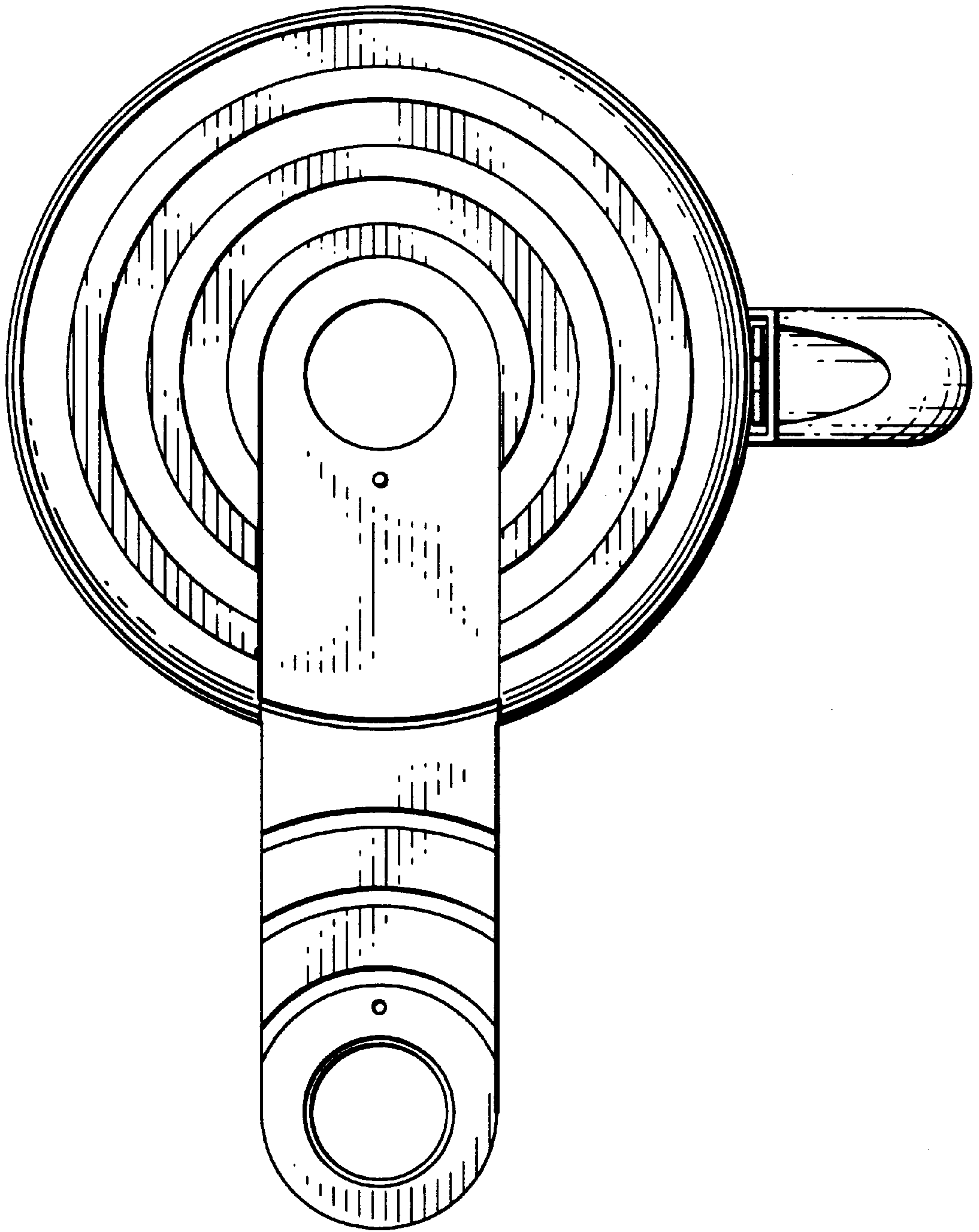


FIG. 7