



US00D420547S

United States Patent [19]
Lallemand

[11] **Patent Number: Des. 420,547**

[45] **Date of Patent: ** Feb. 15, 2000**

[54] **FOOD PROCESSOR**

[75] Inventor: **Thomas Lallemand**, Lourdes, France

[73] Assignee: **SEB**, Selongey, France

[**] Term: **14 Years**

[21] Appl. No.: **29/103,508**

[22] Filed: **Apr. 15, 1999**

[30] **Foreign Application Priority Data**

Oct. 21, 1998 [FR] France 98 6118

[51] **LOC (7) Cl.** **31-00**

[52] **U.S. Cl.** **D7/384**

[58] **Field of Search** D7/376-386, 412,
D7/413; 241/25, 30, 277; 366/64, 96, 97,
197, 199, 241, 242, 244

[56] **References Cited**

U.S. PATENT DOCUMENTS

D. 332,201 1/1993 Beeren D7/384

Primary Examiner—Caron D. Veynar
Attorney, Agent, or Firm—Pillsbury Madison & Sutro

[57] **CLAIM**

The ornamental design for a food processor, as shown.

DESCRIPTION

FIG. 1 is a front elevational view of a food processor according to my new design;

FIG. 2 is a rear elevational view thereof;

FIG. 3 is a left side elevational view thereof;

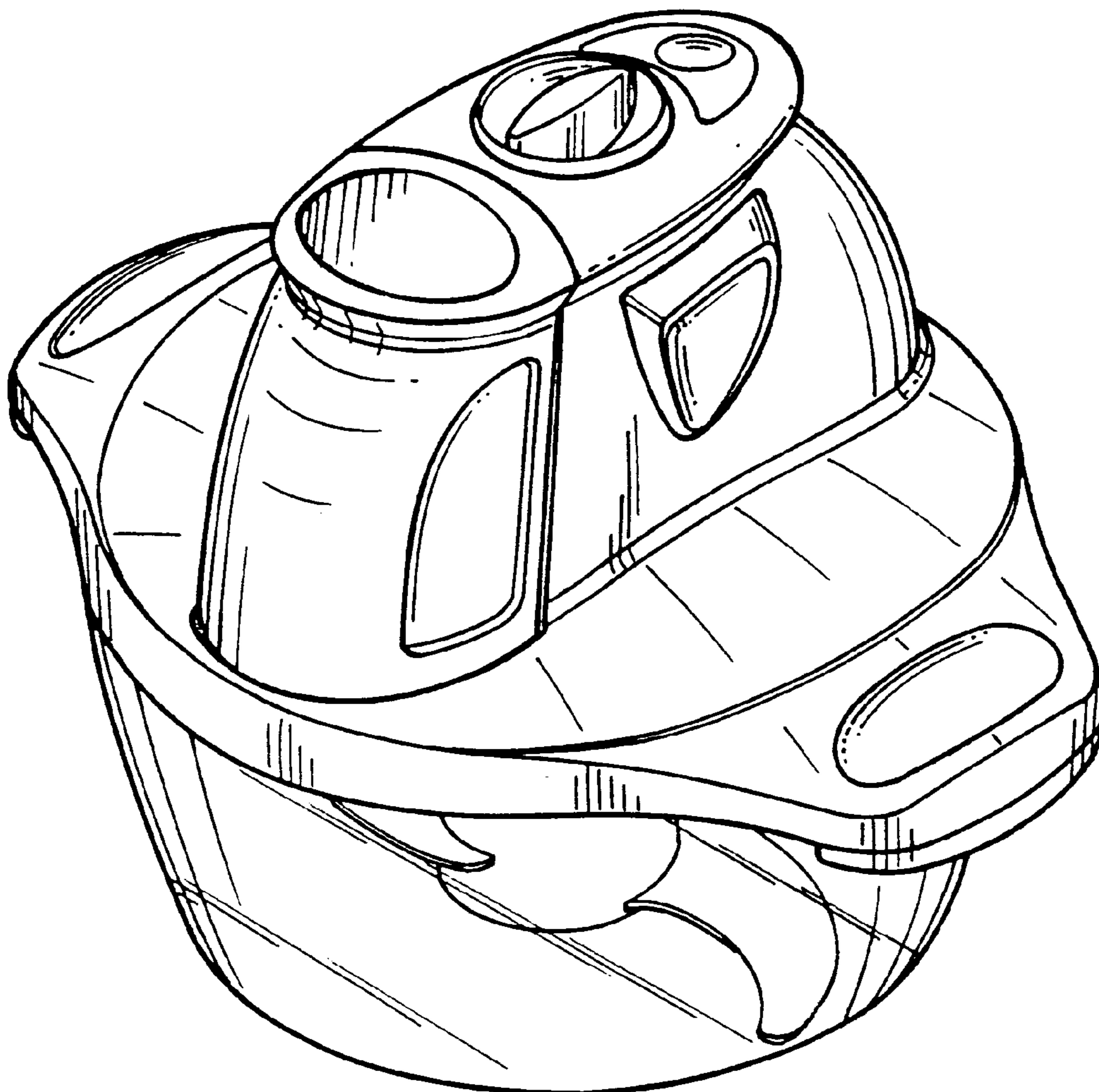
FIG. 4 is a right side elevational view thereof;

FIG. 5 is a top plan view thereof;

FIG. 6 is a bottom plan view thereof; and,

FIG. 7 is a perspective view thereof, seen from above and from the left and the rear.

1 Claim, 4 Drawing Sheets



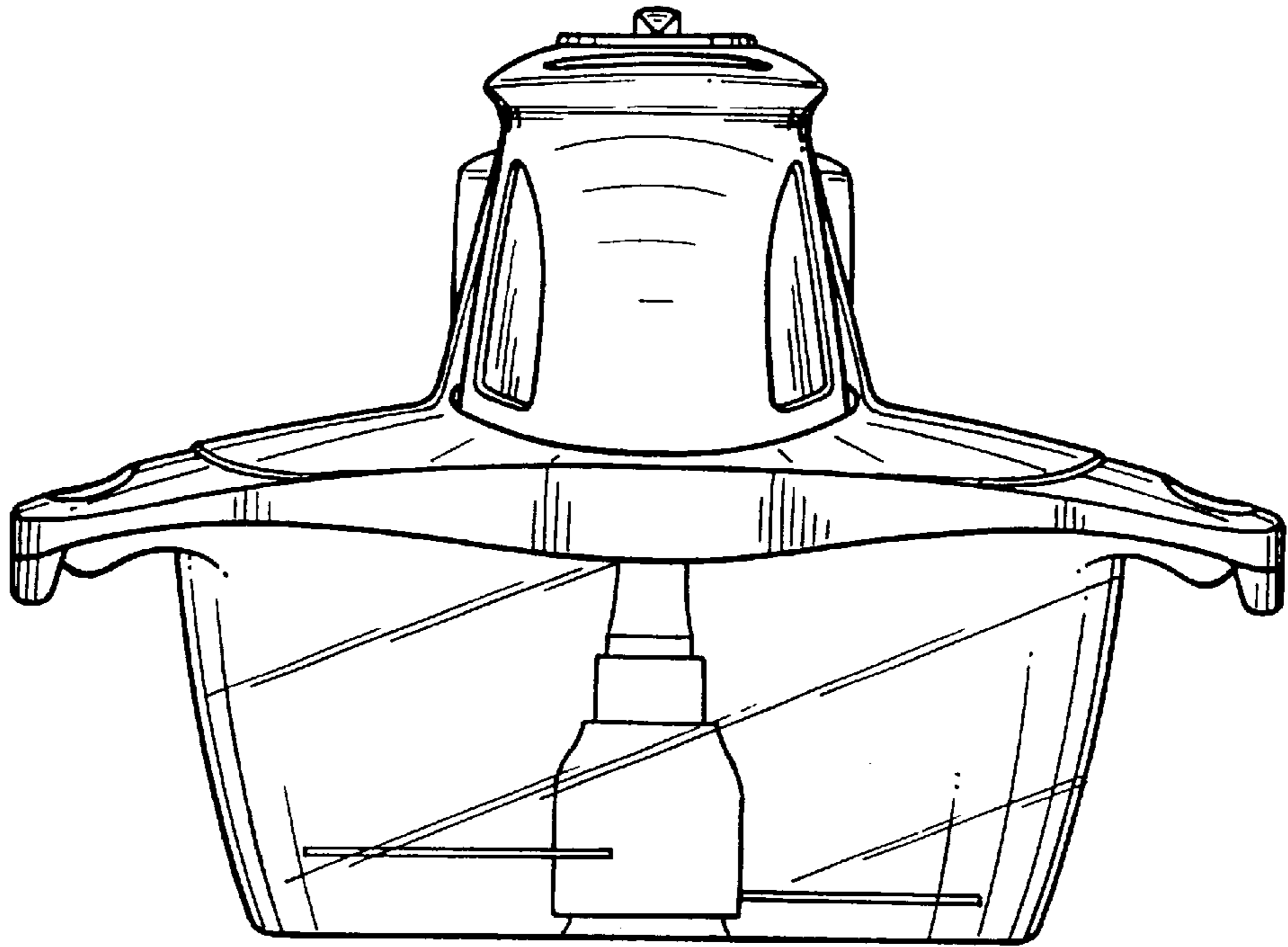


FIG. 2

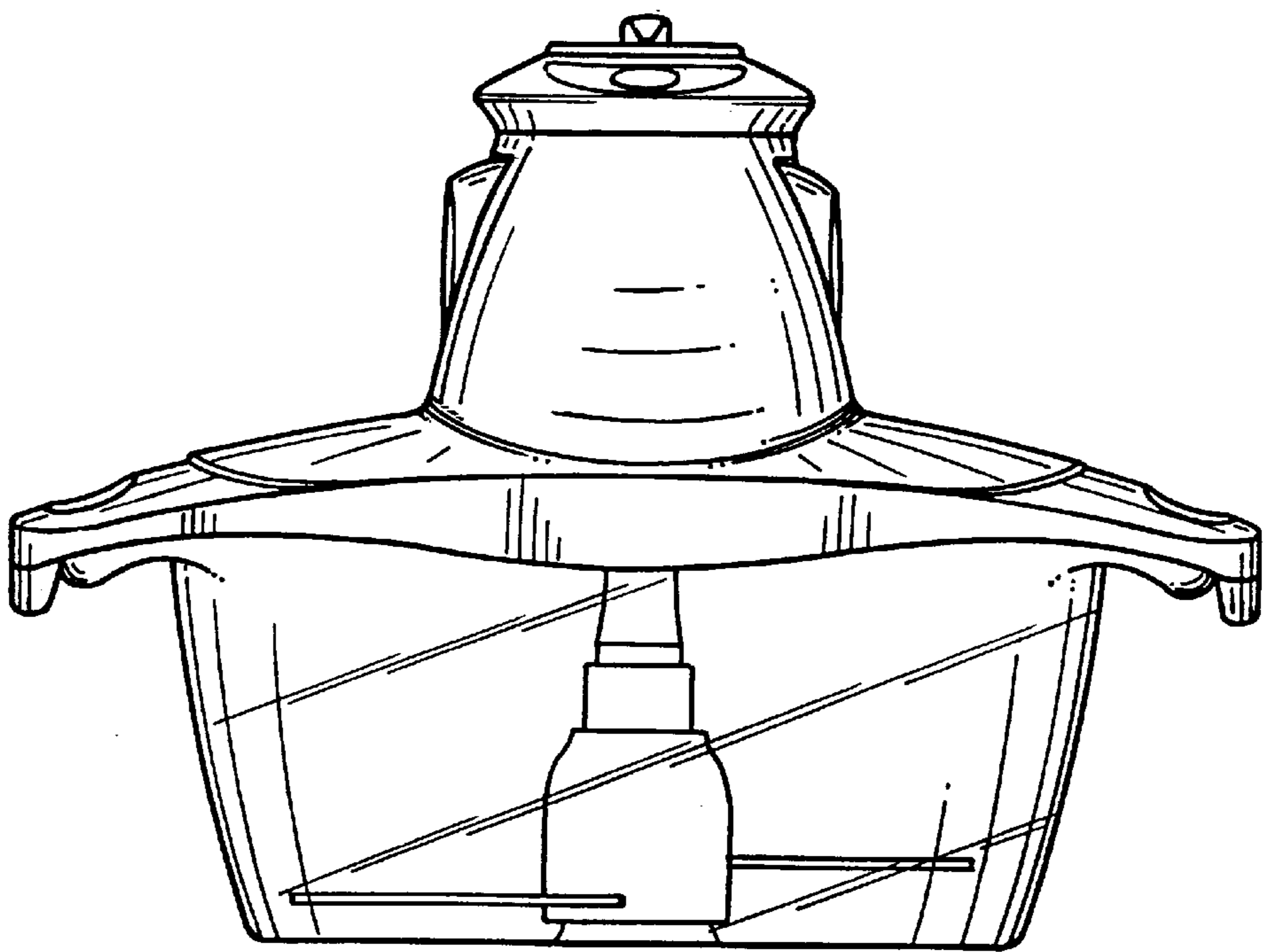


FIG. 1

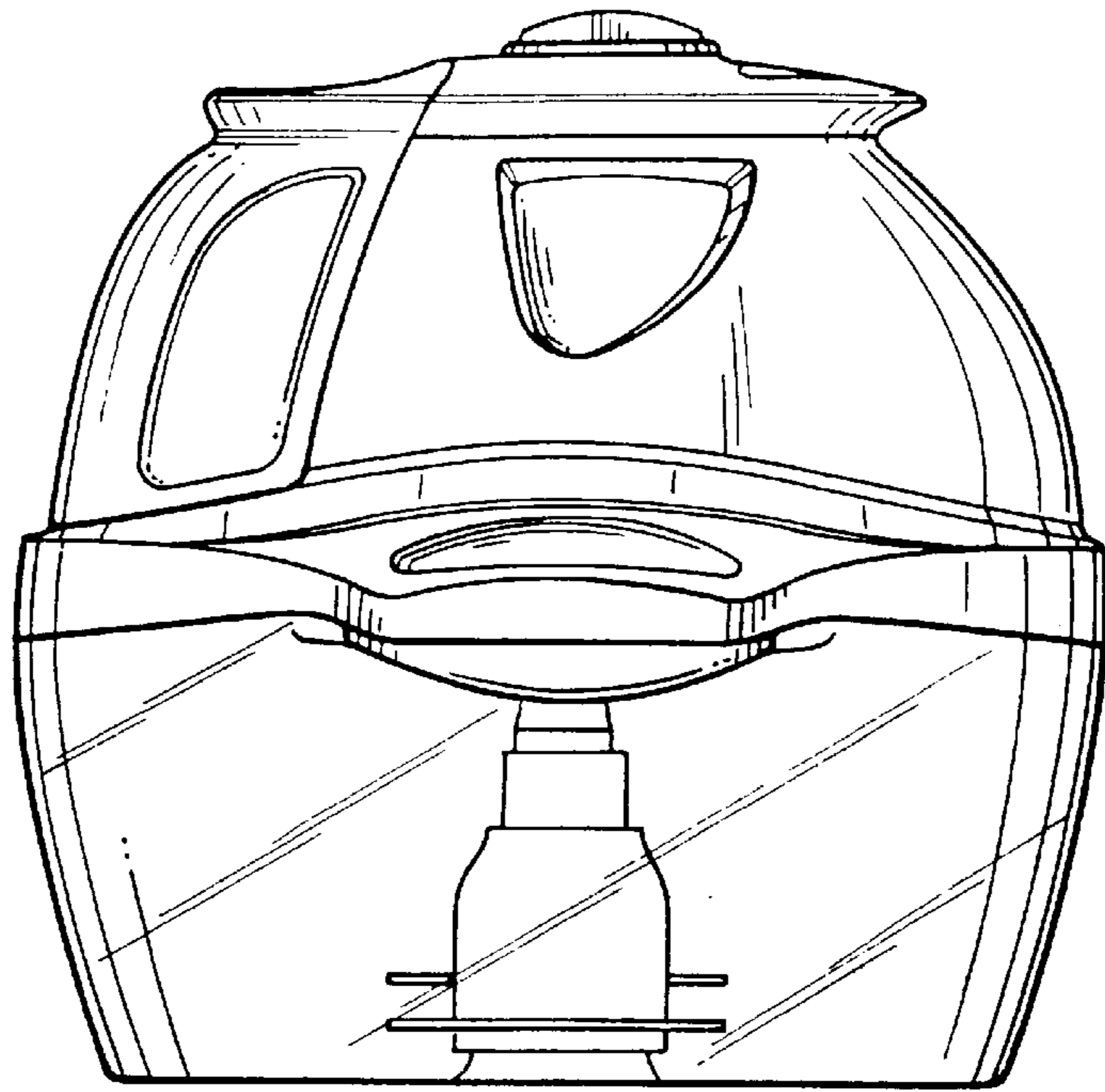


FIG. 4

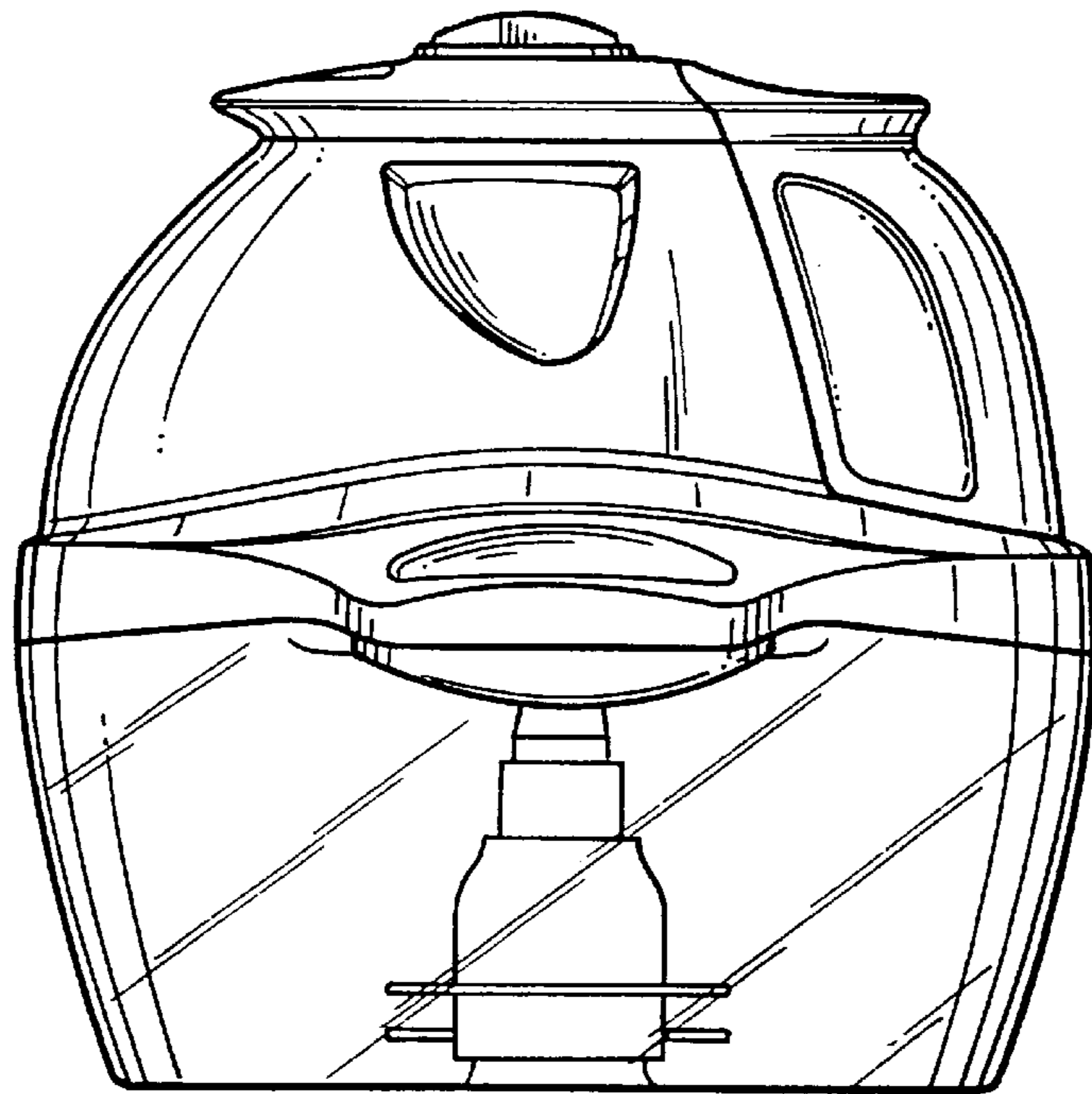


FIG. 3

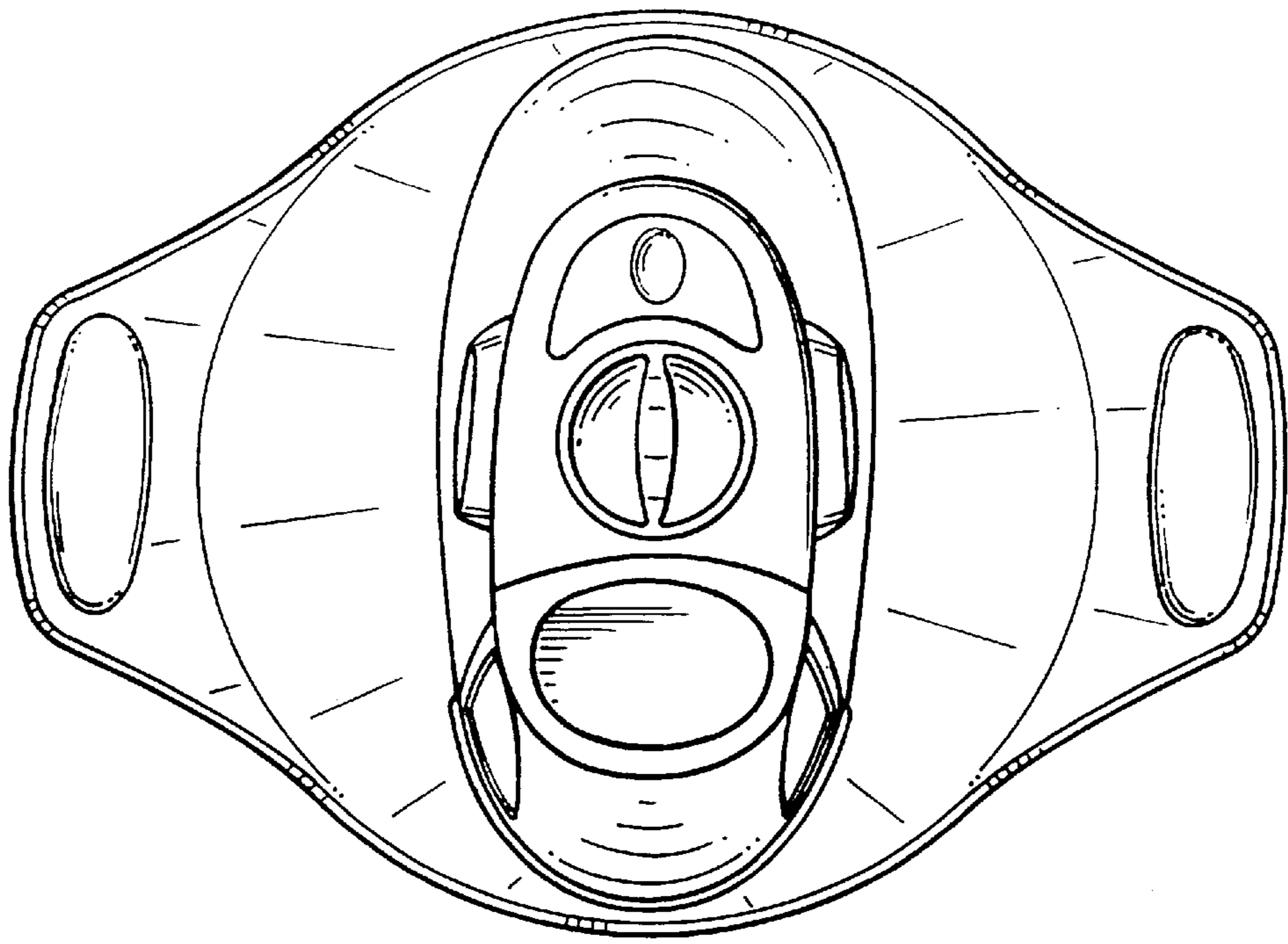


FIG. 5

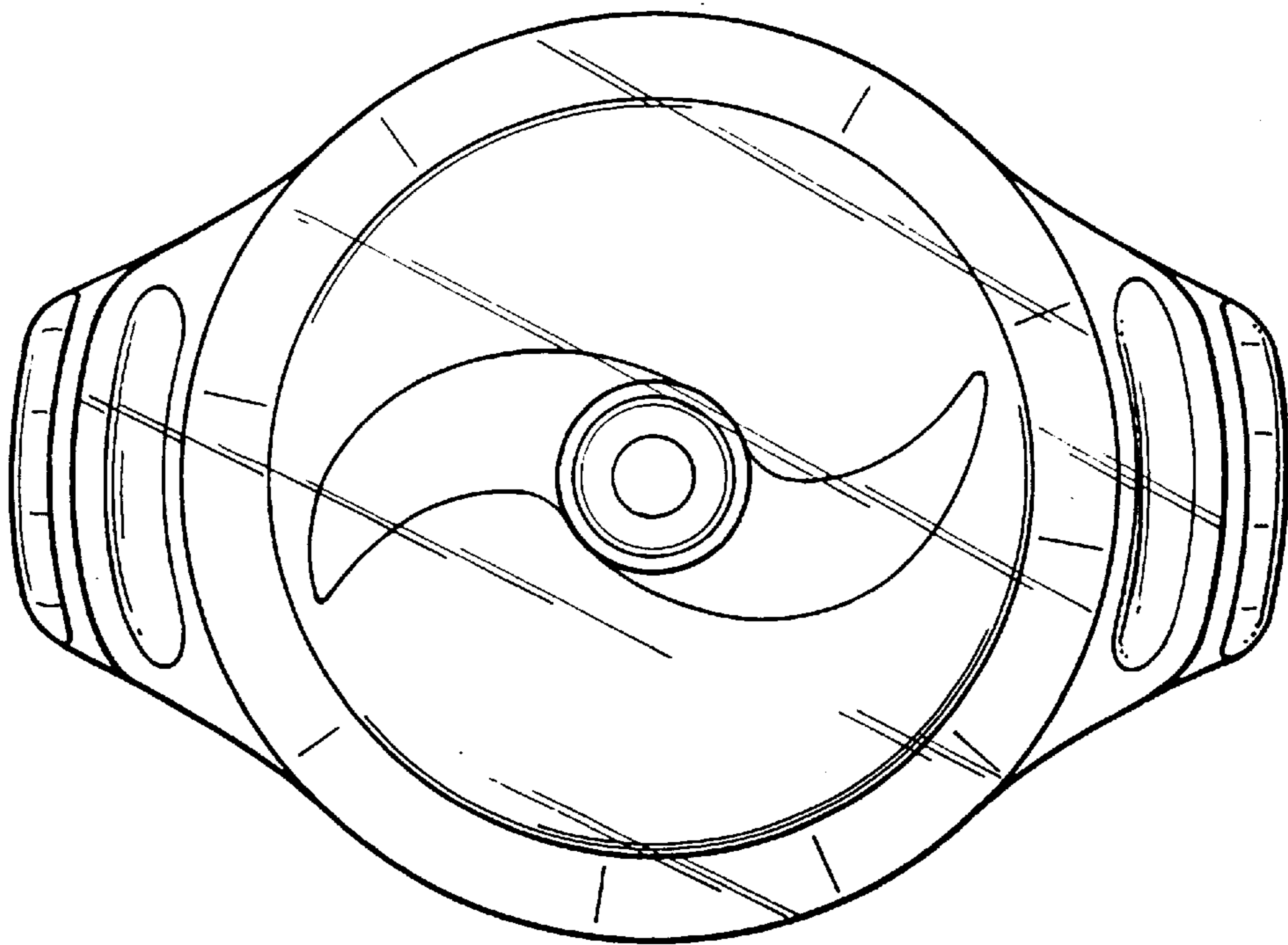


FIG. 6

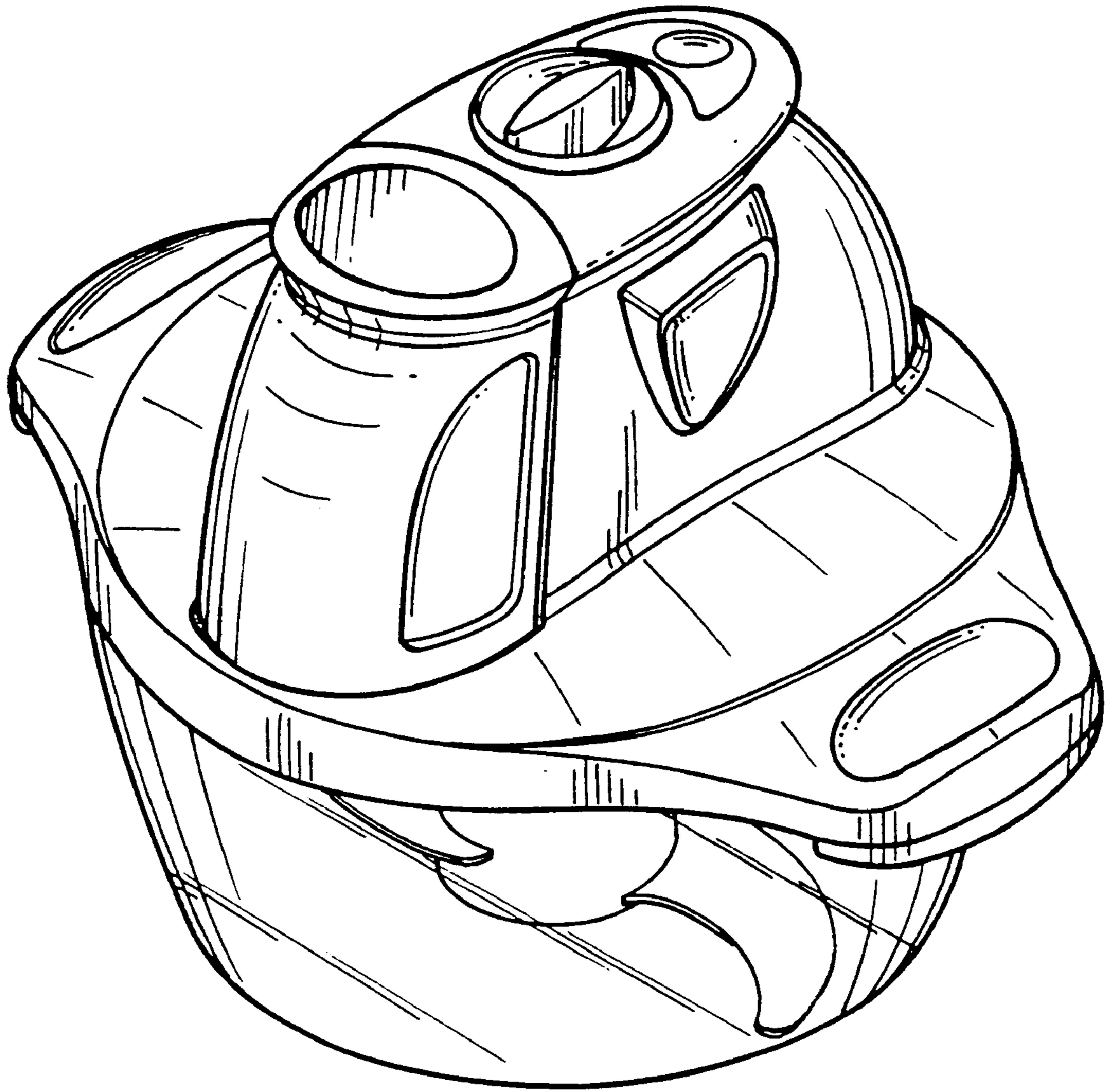


FIG. 7