



US00D420546S

United States Patent [19] Pai

[11] **Patent Number: Des. 420,546**

[45] **Date of Patent: ** Feb. 15, 2000**

[54] **BARBECUE GRILL**

[76] Inventor: **Lucas Pai**, 9 Fl.-1. No. 160, Sec. 1,
Chung-Kang Rd., Taichung, Taiwan

[**] Term: **14 Years**

[21] Appl. No.: **29/097,205**

[22] Filed: **Dec. 1, 1998**

[51] **LOC (7) Cl. 07-02**

[52] **U.S. Cl. D7/332; D7/337**

[58] **Field of Search** D7/332-338, 402-404;
126/275 R, 275 E, 19 M, 19 R, 21 A, 25 R,
25 A, 25 AA, 29-30, 9 R, 9 A, 9 B, 39 R,
41 R, 40; 219/10.55 R, 10.55 A, 10.55 B,
10.55 C, 403, 386; 99/340-341, 419, 421 R,
421 H, 446, 450

[56] **References Cited**

U.S. PATENT DOCUMENTS

D. 284,929 8/1986 Schlosser et al. D7/332

D. 302,641 8/1989 Elmburg D7/332
D. 370,380 6/1996 McGourthy, Jr. et al. D7/332
D. 385,147 10/1997 Fielding et al. D7/332
D. 395,785 7/1998 Lin D7/332
5,159,917 11/1992 Archer et al. 126/25 R

Primary Examiner—Ruth McInroy
Attorney, Agent, or Firm—Rosenberg, Klein & Lee

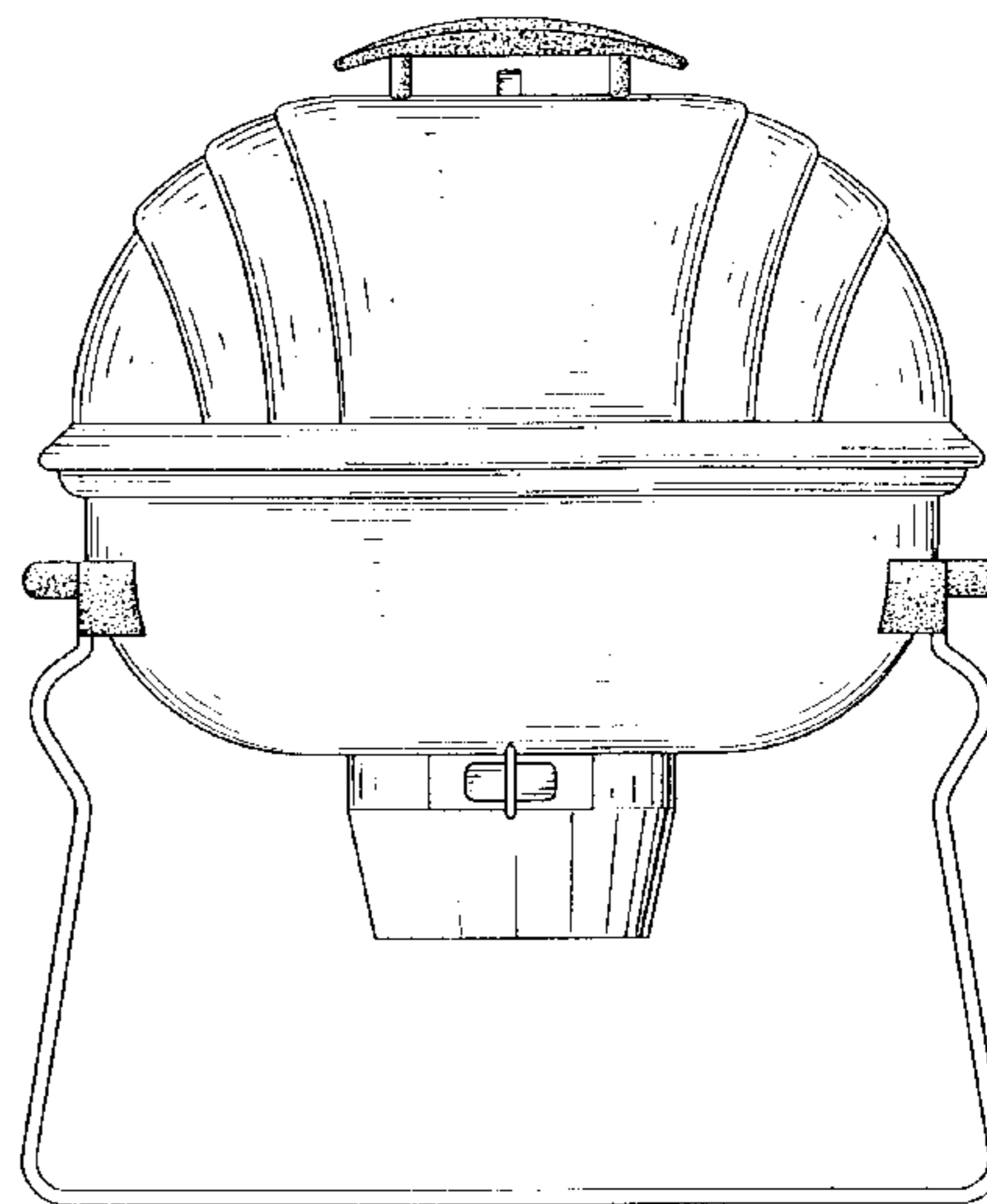
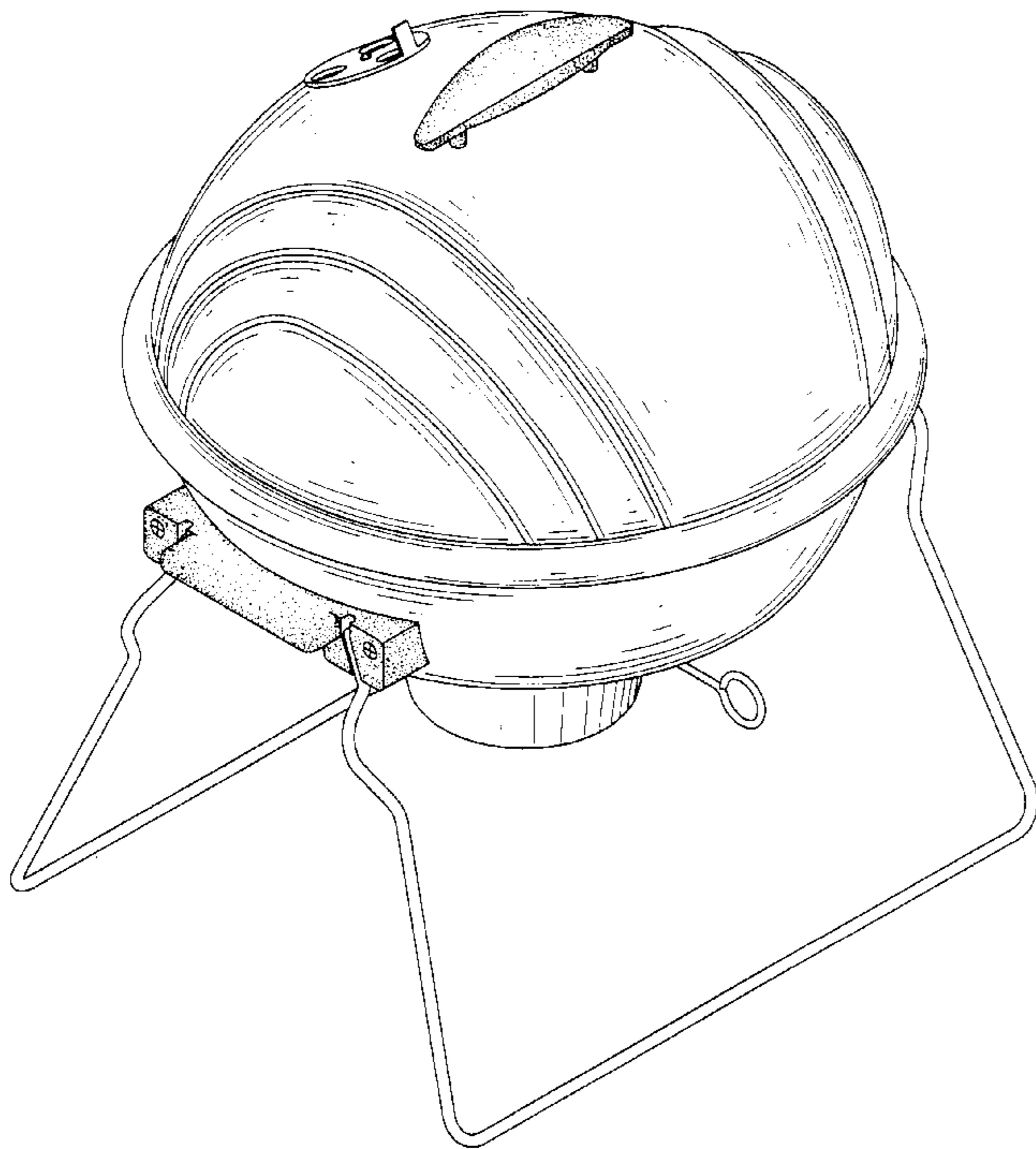
[57] **CLAIM**

The ornamental design for a barbecue grill, as shown and described.

DESCRIPTION

FIG. 1 is a front-left-top perspective view of a barbecue grill, showing my new design;
FIG. 2 is a front elevational view thereof;
FIG. 3 is a rear elevational view thereof;
FIG. 4 is a left side view thereof;
FIG. 5 is a right side view thereof;
FIG. 6 is a top plan view thereof; and,
FIG. 7 is a bottom plan view thereof.

1 Claim, 4 Drawing Sheets



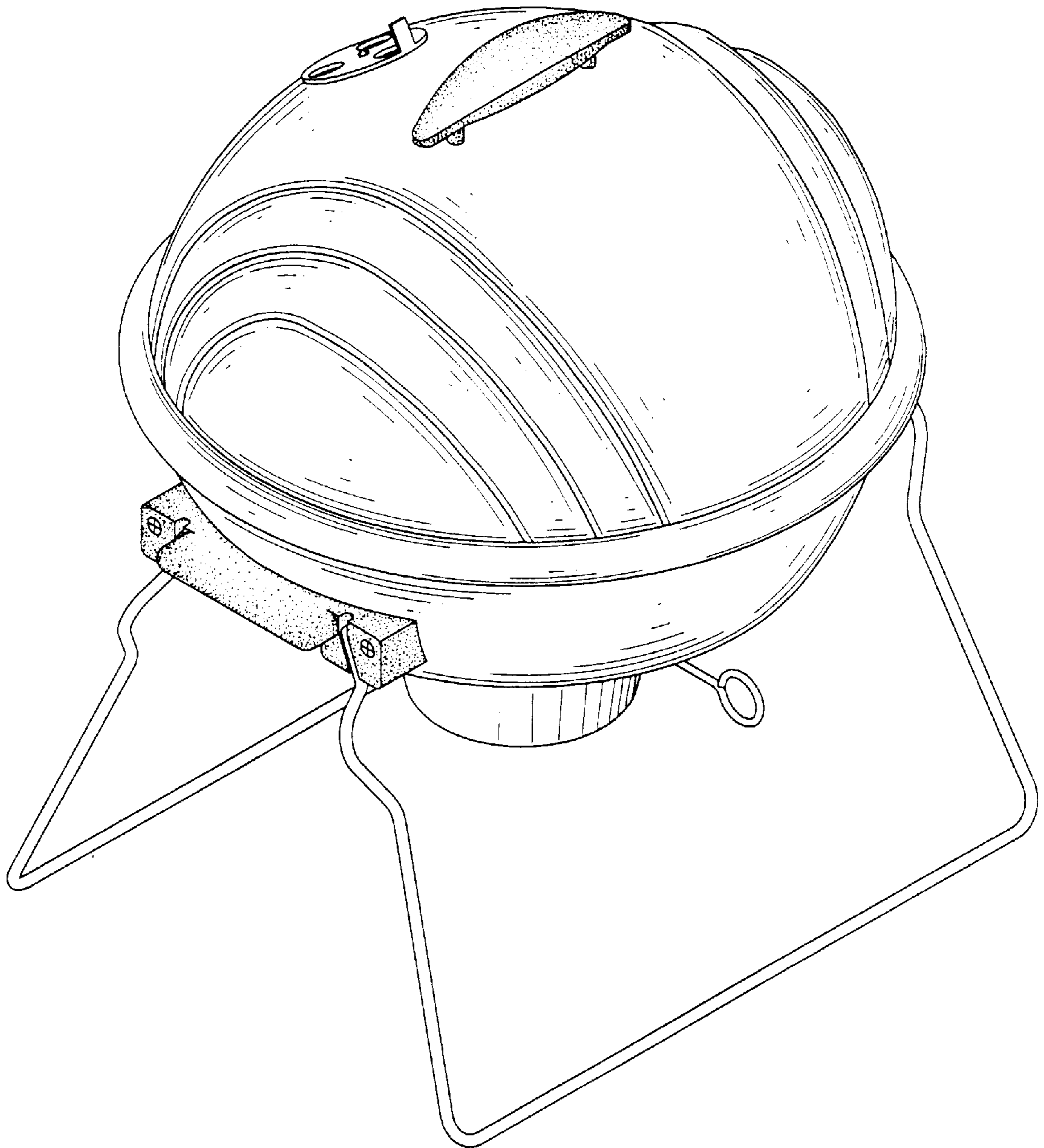


FIG. 1

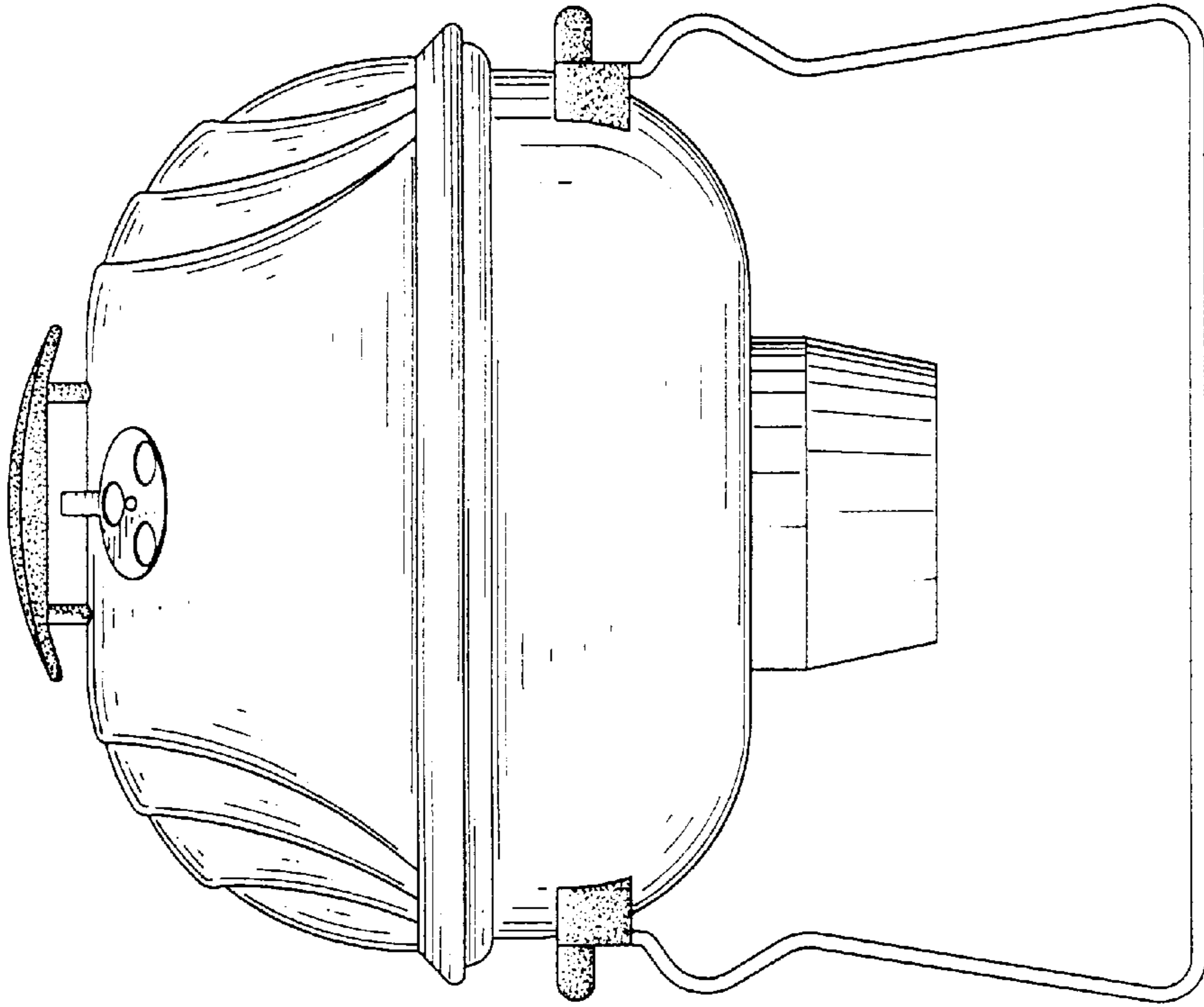


FIG. 3

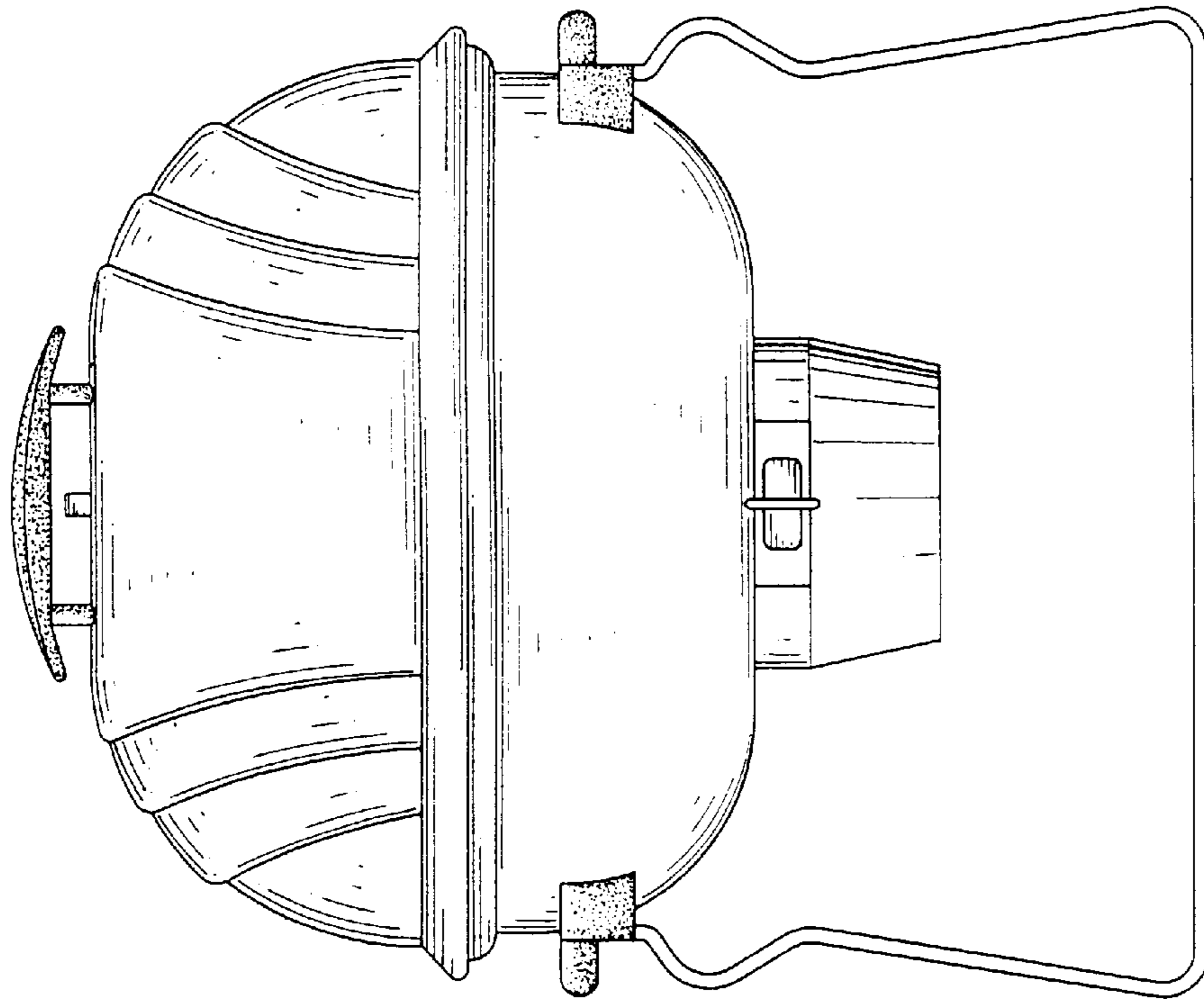


FIG. 2

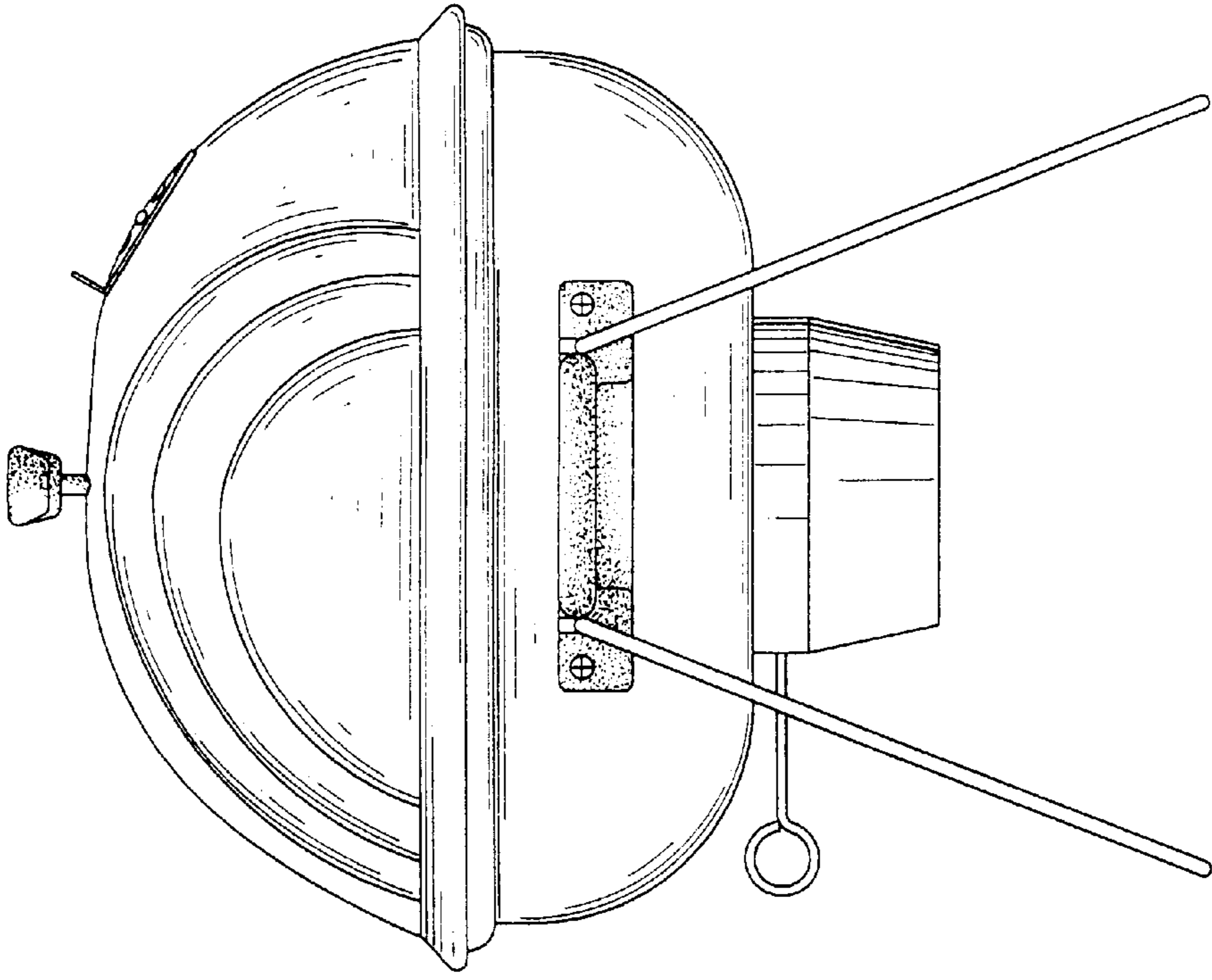


FIG. 5

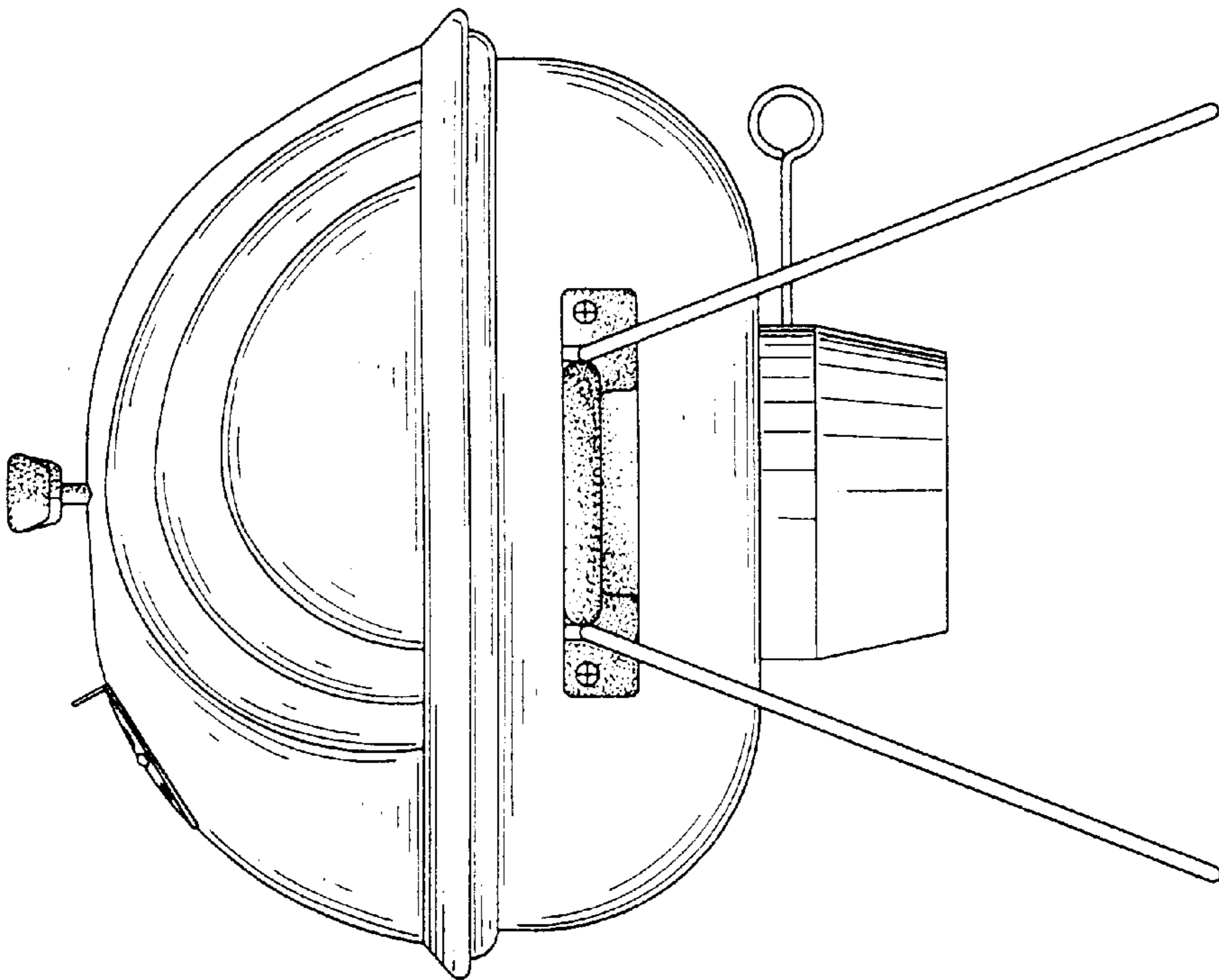


FIG. 4

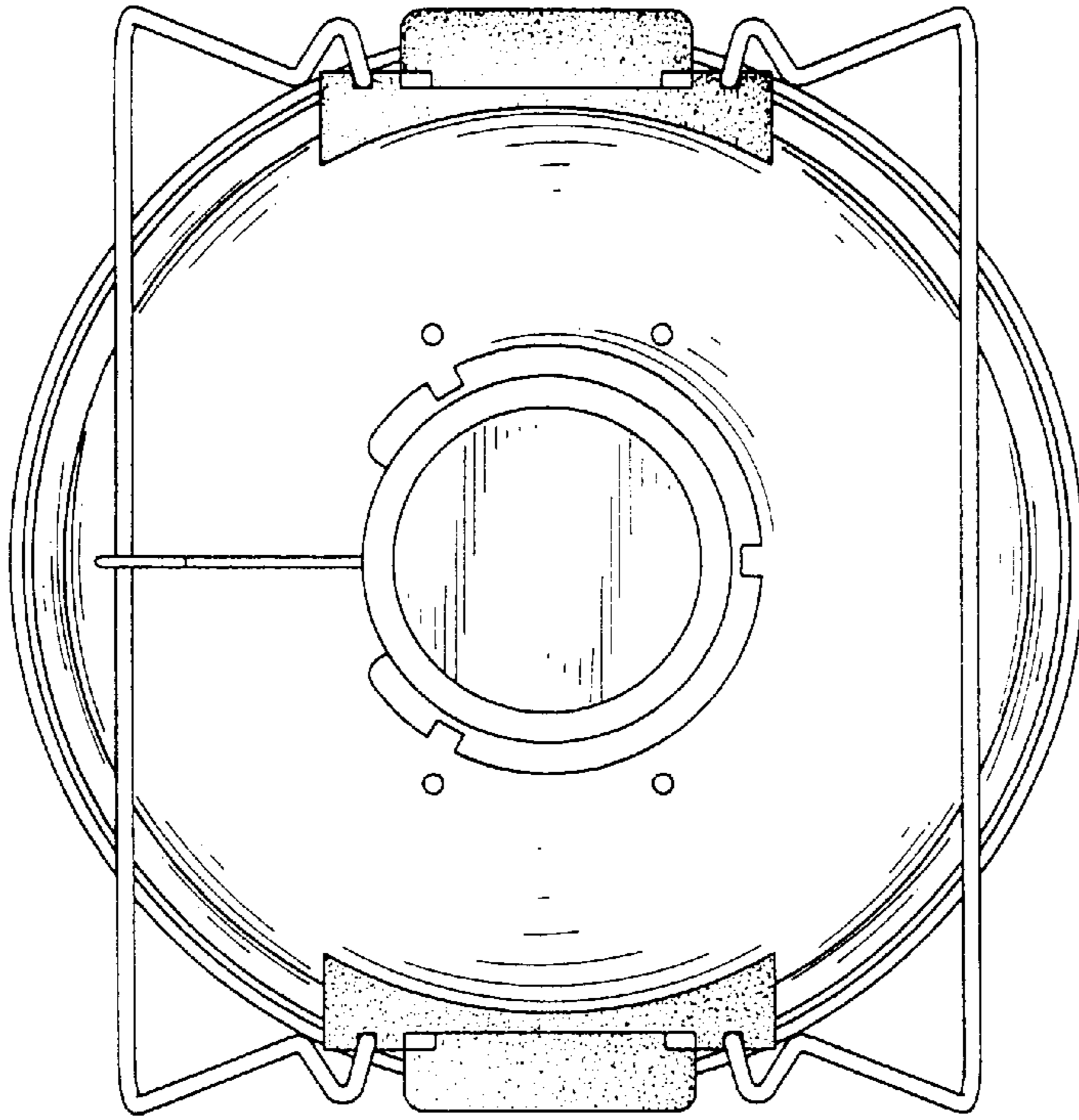


FIG. 6

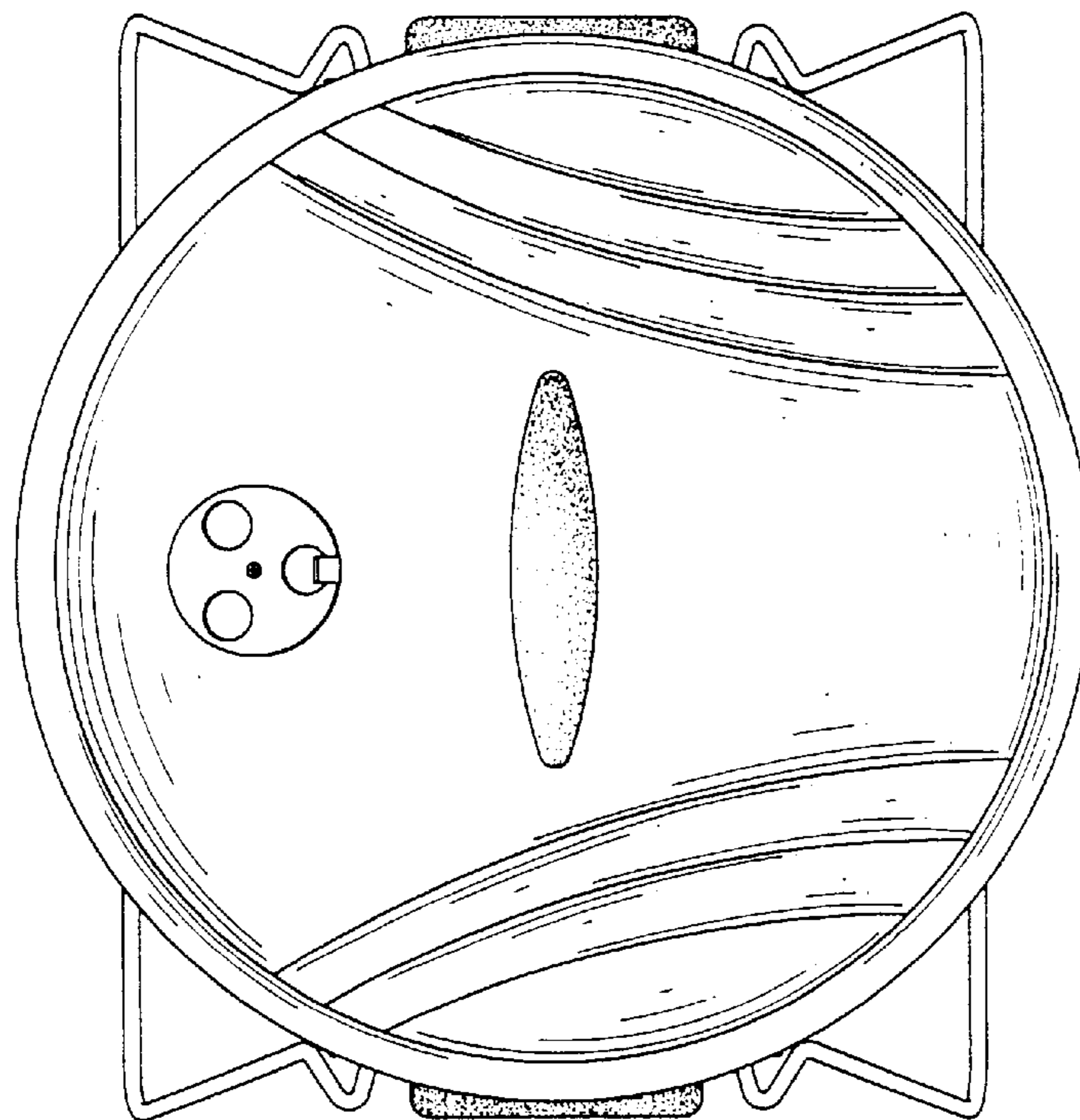


FIG. 7