



US00D420544S

United States Patent [19]

Bonan et al.

[11] Patent Number: **Des. 420,544**

[45] Date of Patent: **** Feb. 15, 2000**

[54] SAUCE DISPENSER

[75] Inventors: **Denis Bonan; Adrien Leroy**, both of
Boulogne-Billancourt, France

[73] Assignee: **Panzani William Saurin**, Lyons,
France

[**] Term: **14 Years**

[21] Appl. No.: **29/105,406**

[22] Filed: **May 24, 1999**

[30] Foreign Application Priority Data

Nov. 23, 1998 [FR] France 98 6769

[51] LOC (7) Cl. **07-01**

[52] U.S. Cl. **D7/306; D7/590**

[58] Field of Search D7/300, 306, 307,
D7/308, 322, 312, 589, 590, 313, 311;
222/185.1, 391, 150 R, 189; 221/150 R,
189

[56] References Cited

U.S. PATENT DOCUMENTS

D. 256,020 7/1980 Swanson D7/307

D. 328,220	7/1992	Barnard et al.	D7/589
D. 401,476	11/1998	Henry et al.	D7/589
D. 403,917	1/1999	Le	D7/306
D. 408,206	4/1999	Stafford et l.	D7/306
2,884,877	5/1959	Nalbone et al.	222/391

Primary Examiner—M. N. Pandozzi
Attorney, Agent, or Firm—Young & Thompson

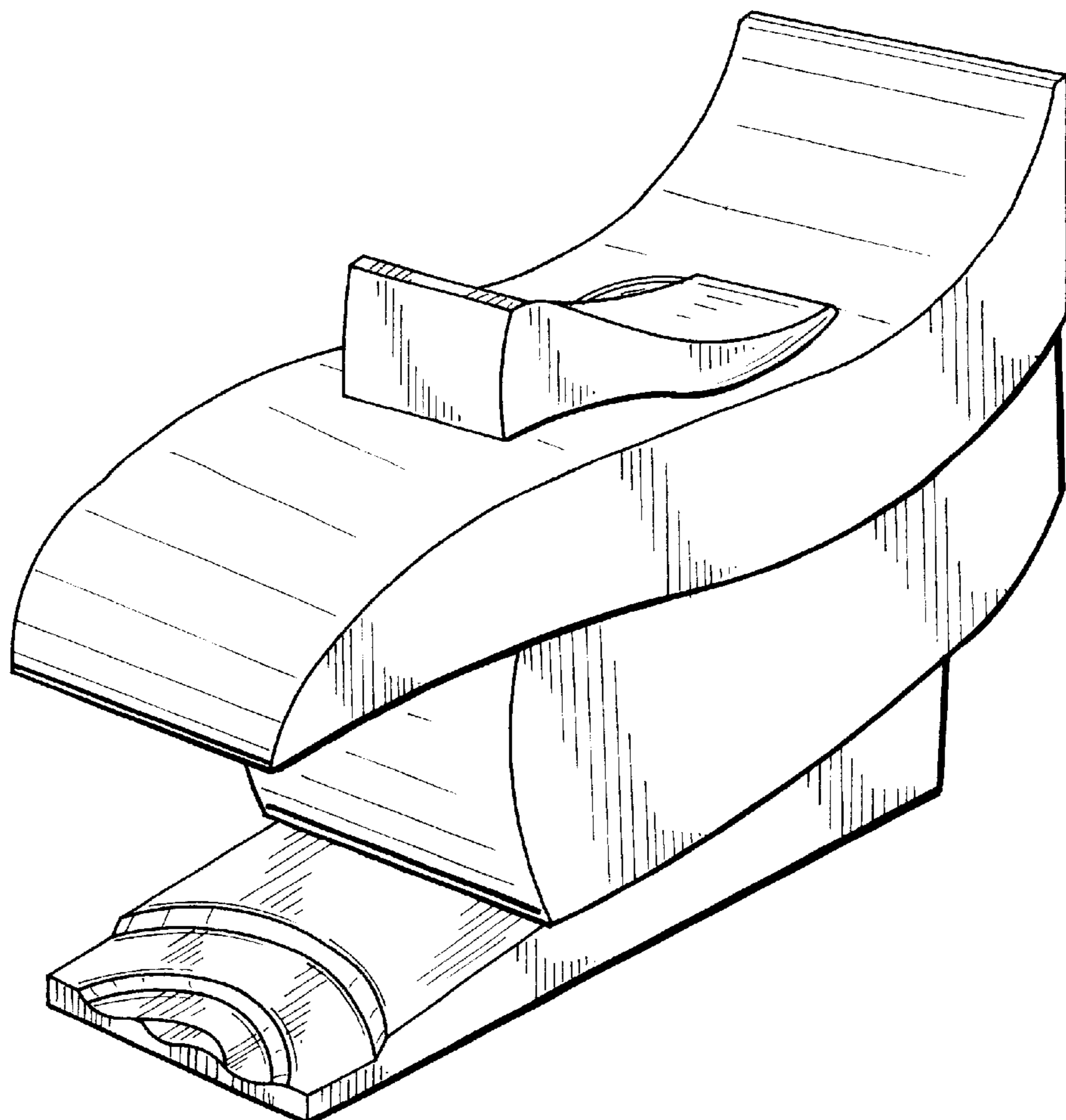
[57] CLAIM

The ornamental design for a sauce dispenser, as shown.

DESCRIPTION

FIG. 1 is a front, top and side perspective view of a sauce dispenser showing our new design;
 FIG. 2 is a front elevational view thereof;
 FIG. 3 is a side elevational view thereof from the left of FIG. 2;
 FIG. 4 is a side elevational view thereof from the right of FIG. 2 ;
 FIG. 5 is a rear elevational view thereof;
 FIG. 6 is a top plan view thereof; and,
 FIG. 7 is a bottom plan view thereof.

1 Claim, 3 Drawing Sheets



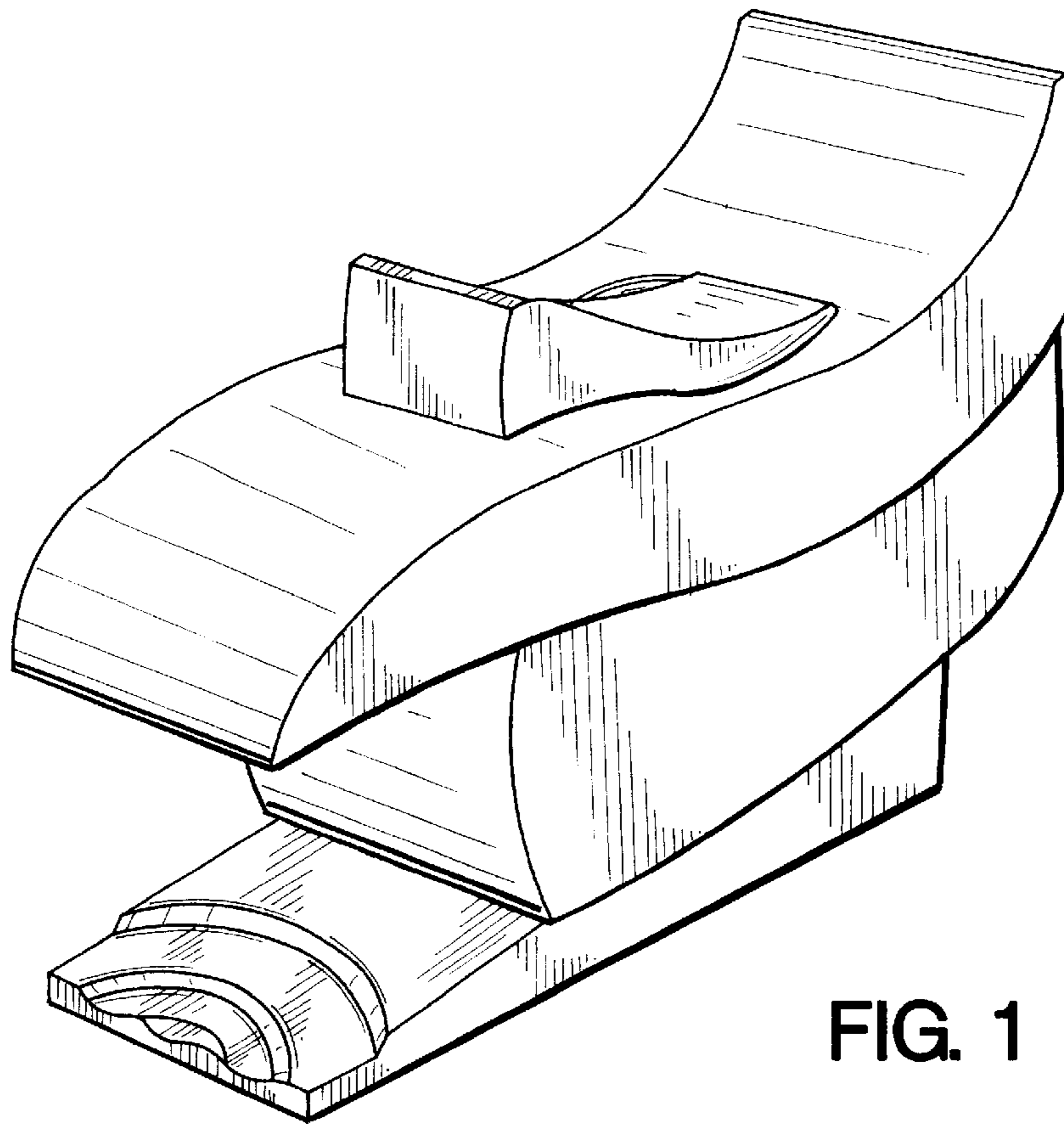


FIG. 1

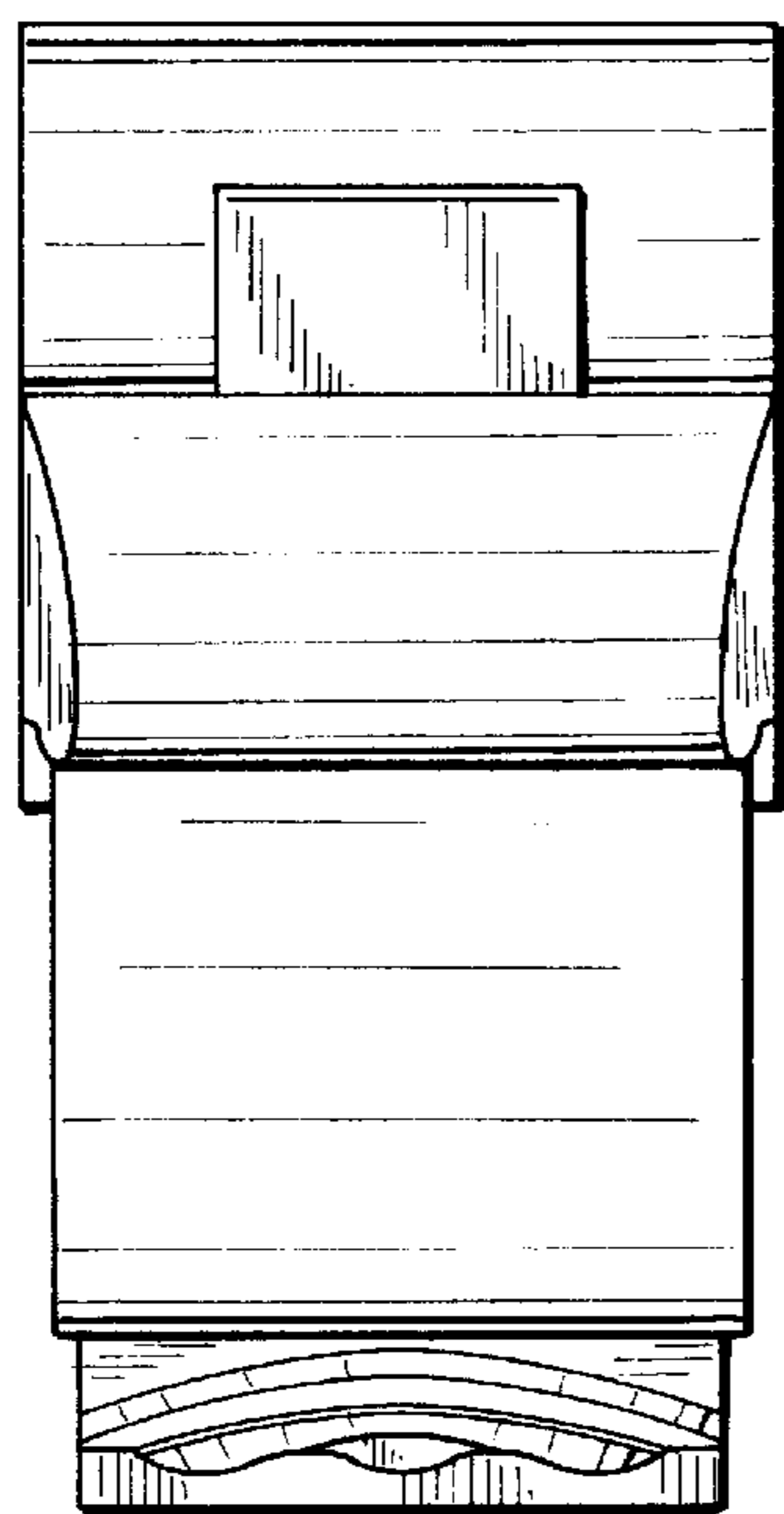


FIG. 2

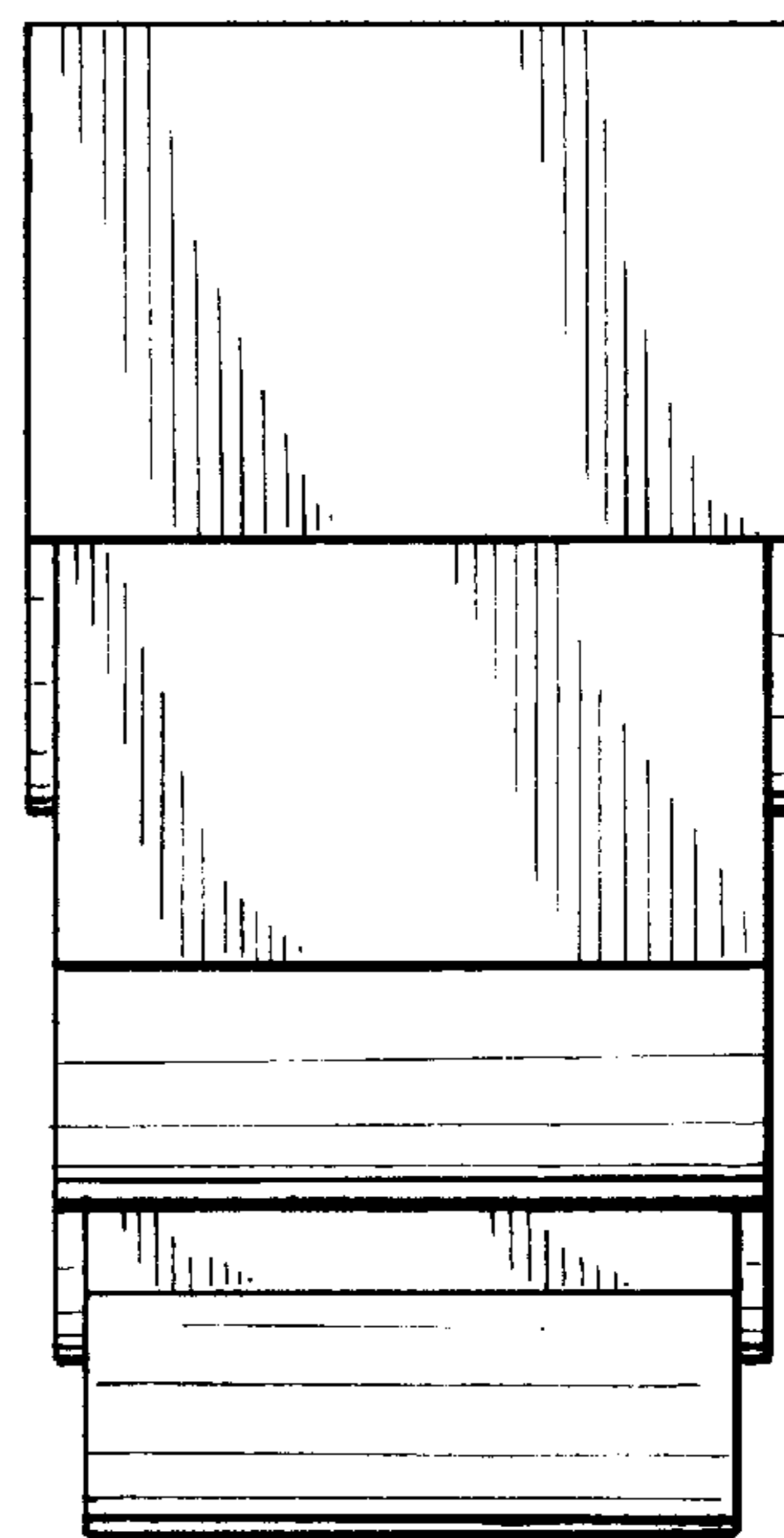


FIG. 5

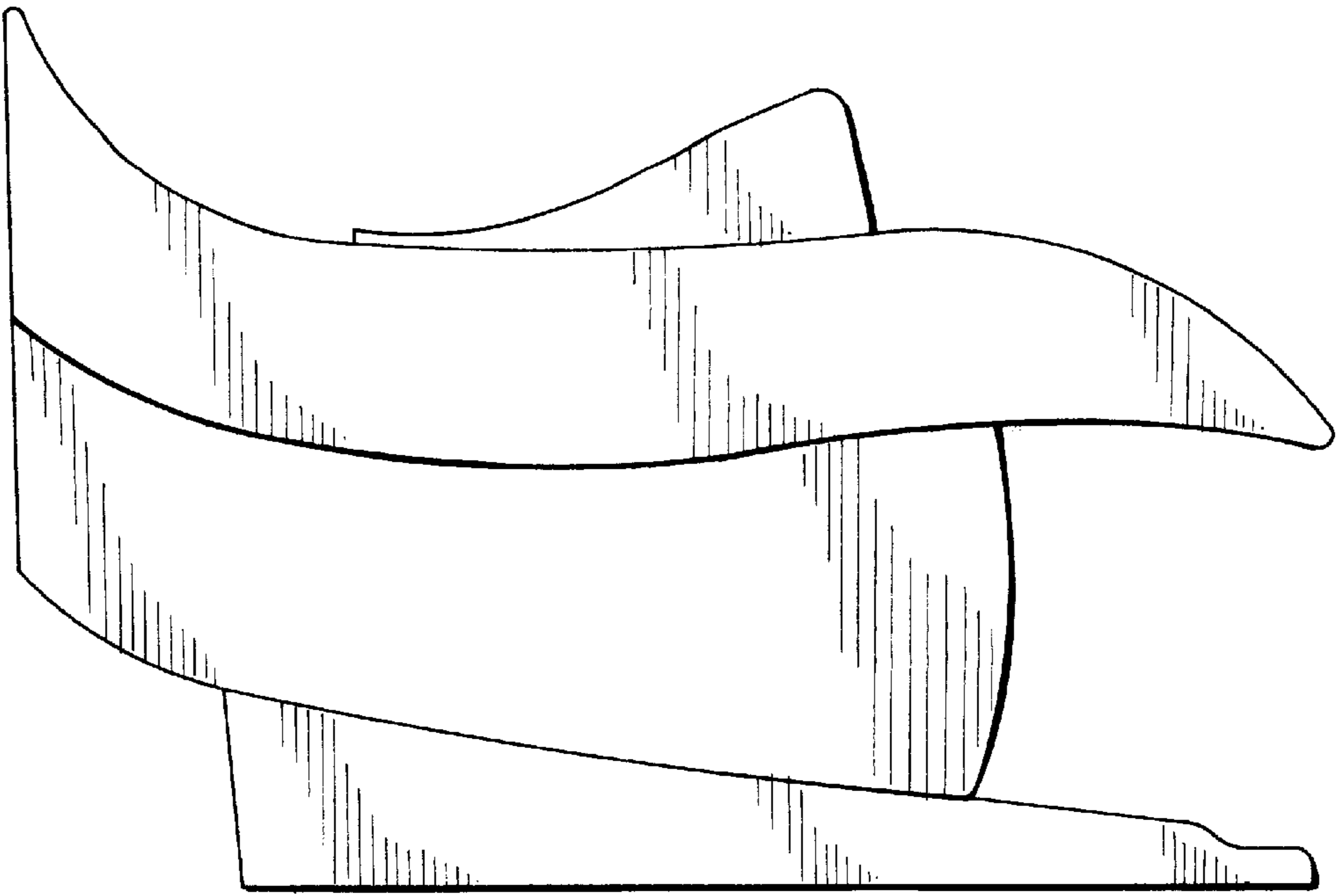


FIG. 3

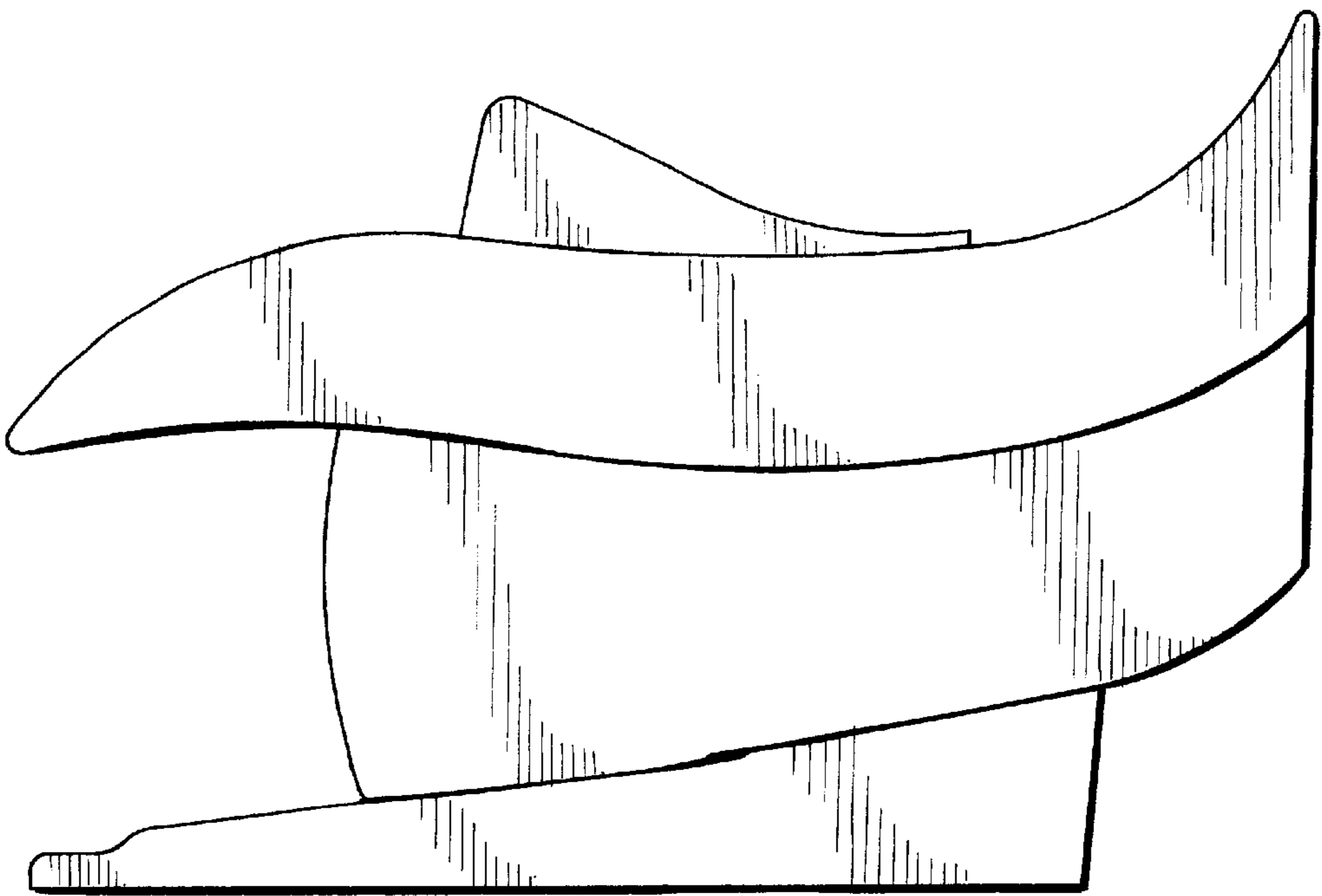


FIG. 4

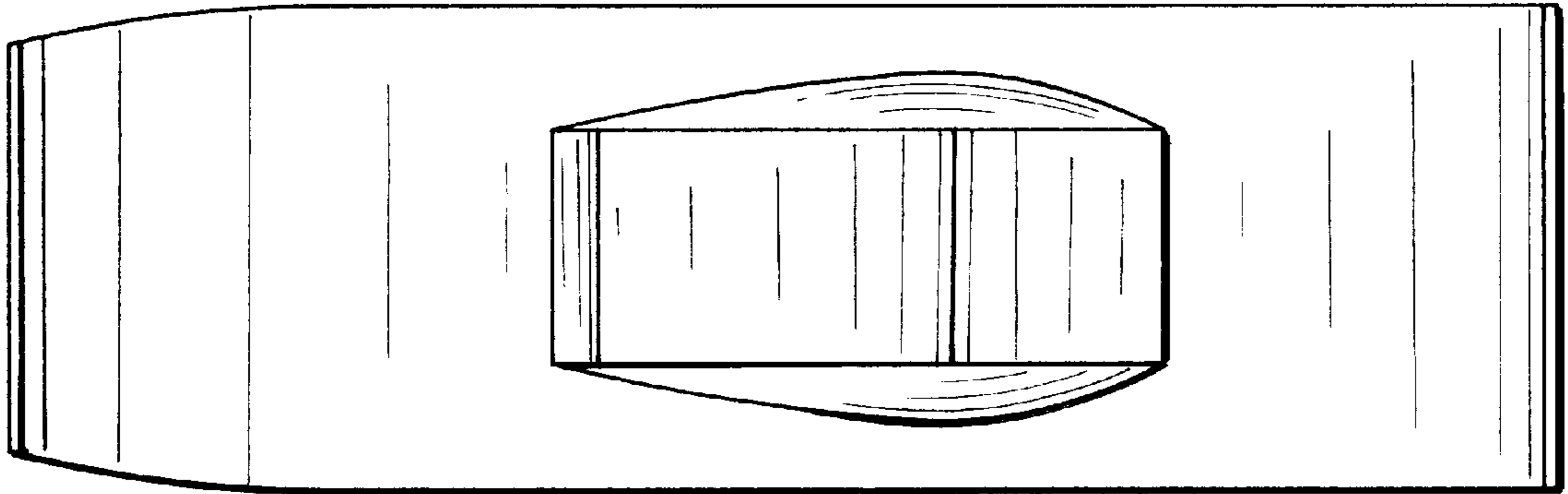


FIG. 6

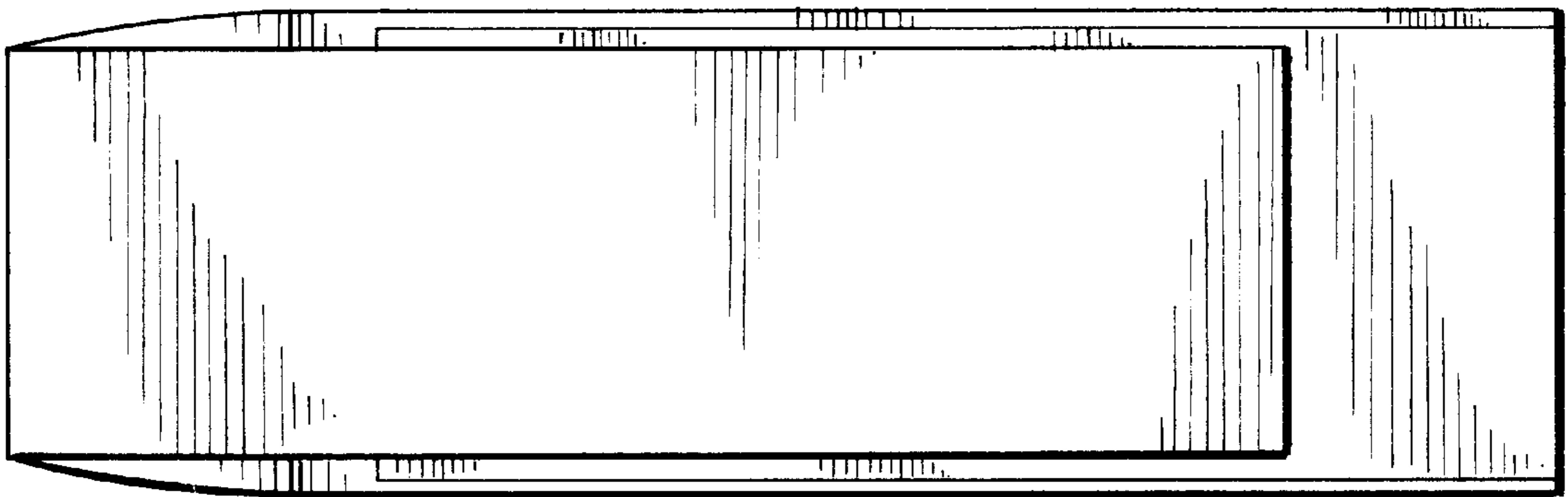


FIG. 7