



US00D420541S

United States Patent [19] Zaidman

[11] **Patent Number: Des. 420,541**

[45] **Date of Patent: ** Feb. 15, 2000**

[54] **DRAWER PANEL**

[75] Inventor: **S. Paul Zaidman**, Winnipeg, Canada

[73] Assignee: **Palliser Furniture Ltd.**, Canada

[**] Term: **14 Years**

[21] Appl. No.: **29/075,673**

[22] Filed: **Aug. 19, 1997**

[30] **Foreign Application Priority Data**

Jul. 31, 1997 [CA] Canada 1997-1972

[51] **LOC (7) Cl.** **06-06**

[52] **U.S. Cl.** **D6/510**

[58] **Field of Search** D6/492, 494, 510,
D6/432-448

[56] **References Cited**

U.S. PATENT DOCUMENTS

D. 335,409 5/1993 Kellems D6/510

D. 386,634 11/1997 Daus D6/510
D. 390,733 2/1998 Brunner et al. D6/510

Primary Examiner—Carmen H. Vales-Lado
Attorney, Agent, or Firm—Michael Best & Friedrich LLP

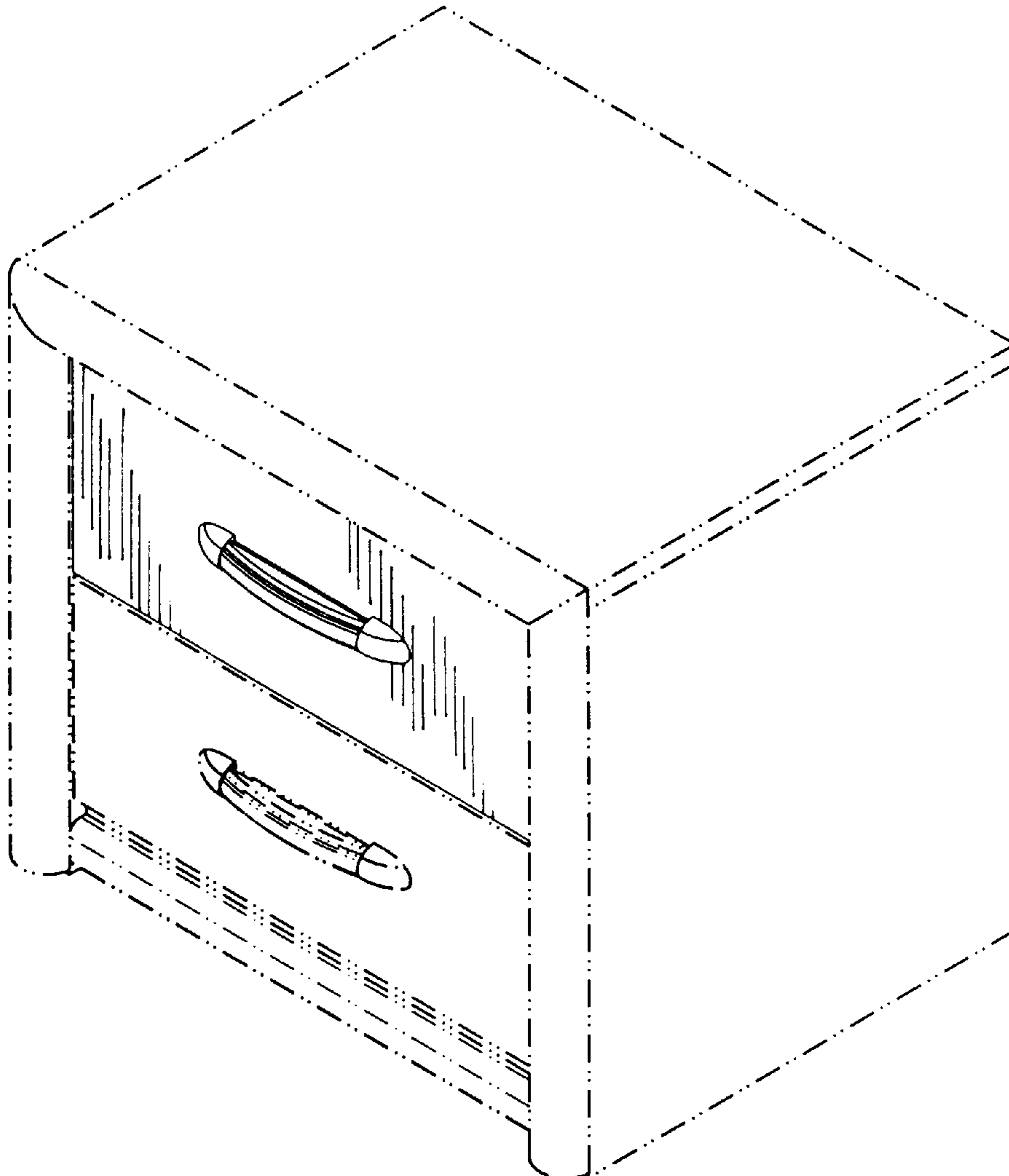
[57] **CLAIM**

The ornamental design for a drawer panel, as shown and described.

DESCRIPTION

FIG. 1 is a perspective view of a drawer panel showing my new design;
FIG. 2 is a front elevational view thereof;
FIG. 3 is a perspective view of a modified form of the drawer panel shown in FIG. 1;
FIG. 4 is a perspective view of the drawer panel of FIG. 3 on a different casegood; and,
FIG. 5 is a perspective view of the drawer panel of FIG. 1 on a different casegood.

1 Claim, 4 Drawing Sheets



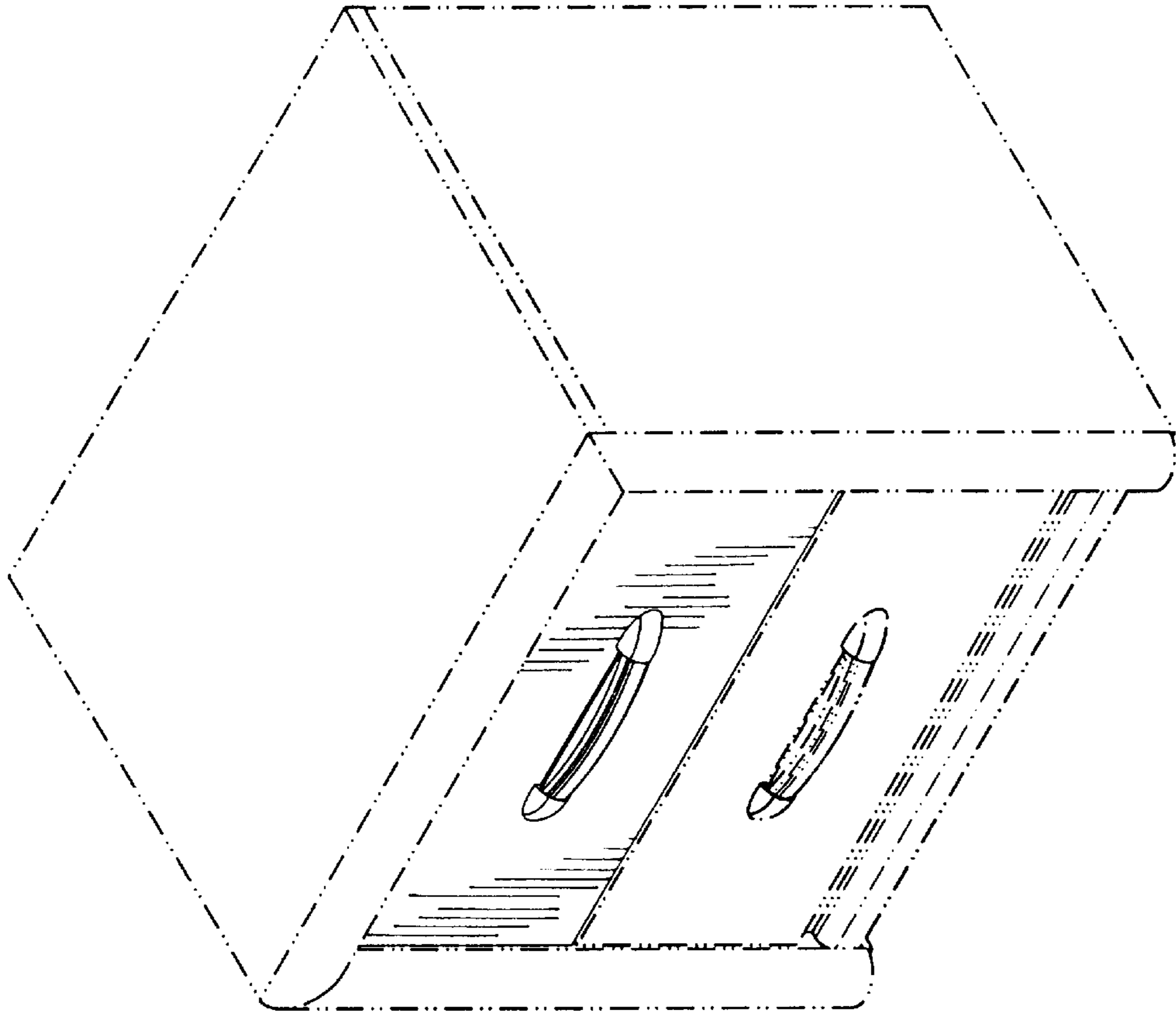


FIG. 1

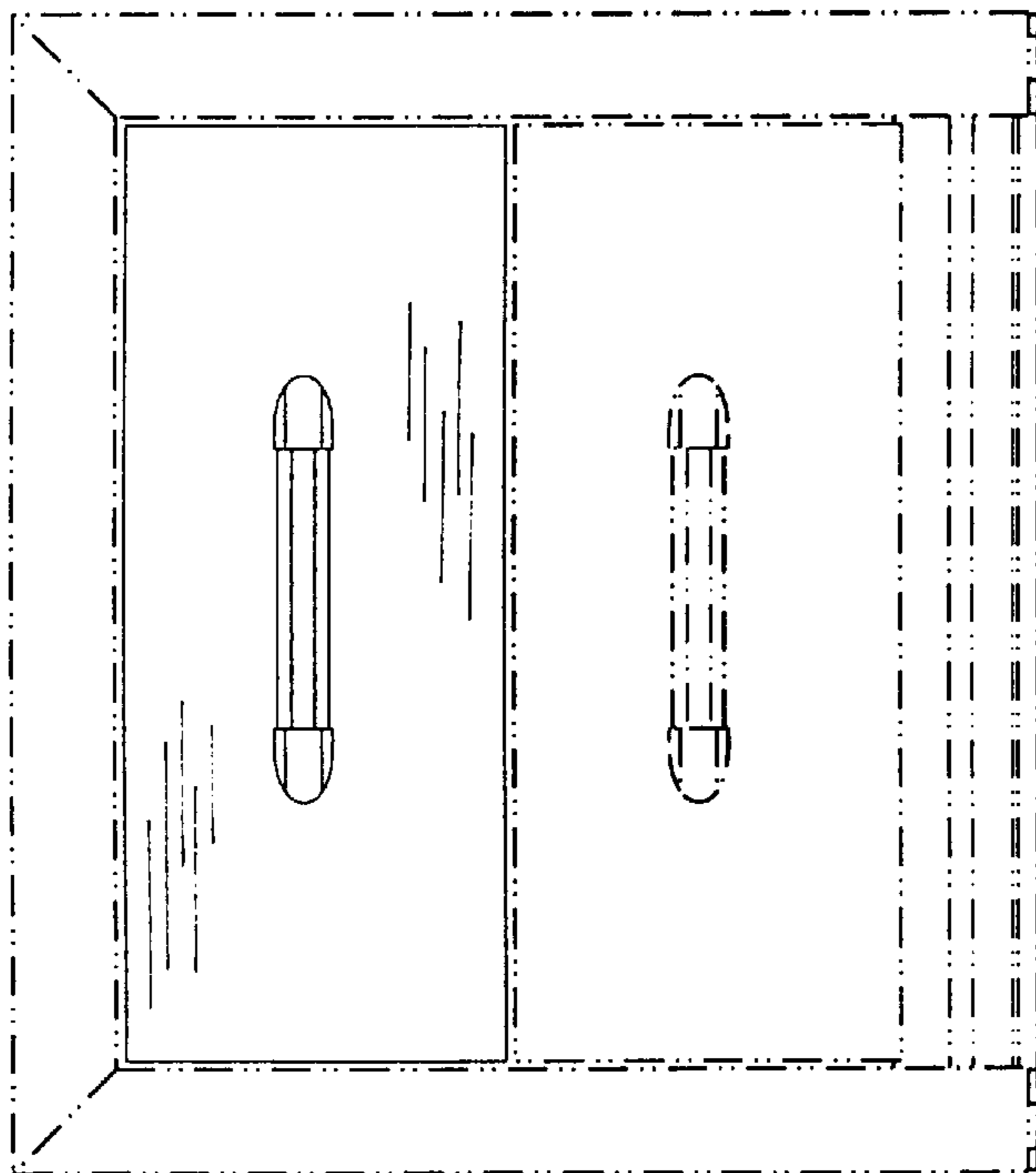


FIG. 2

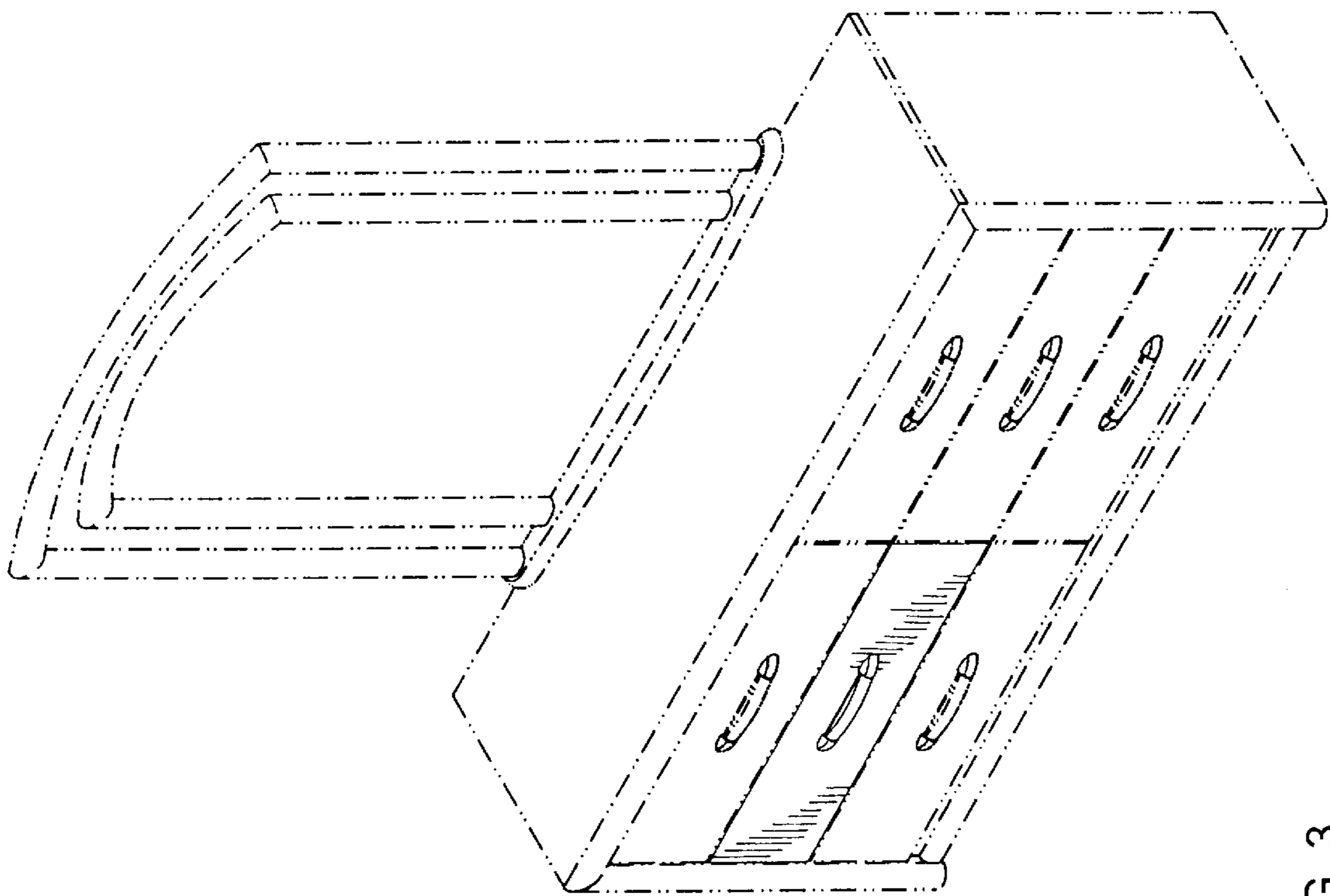


FIG. 3

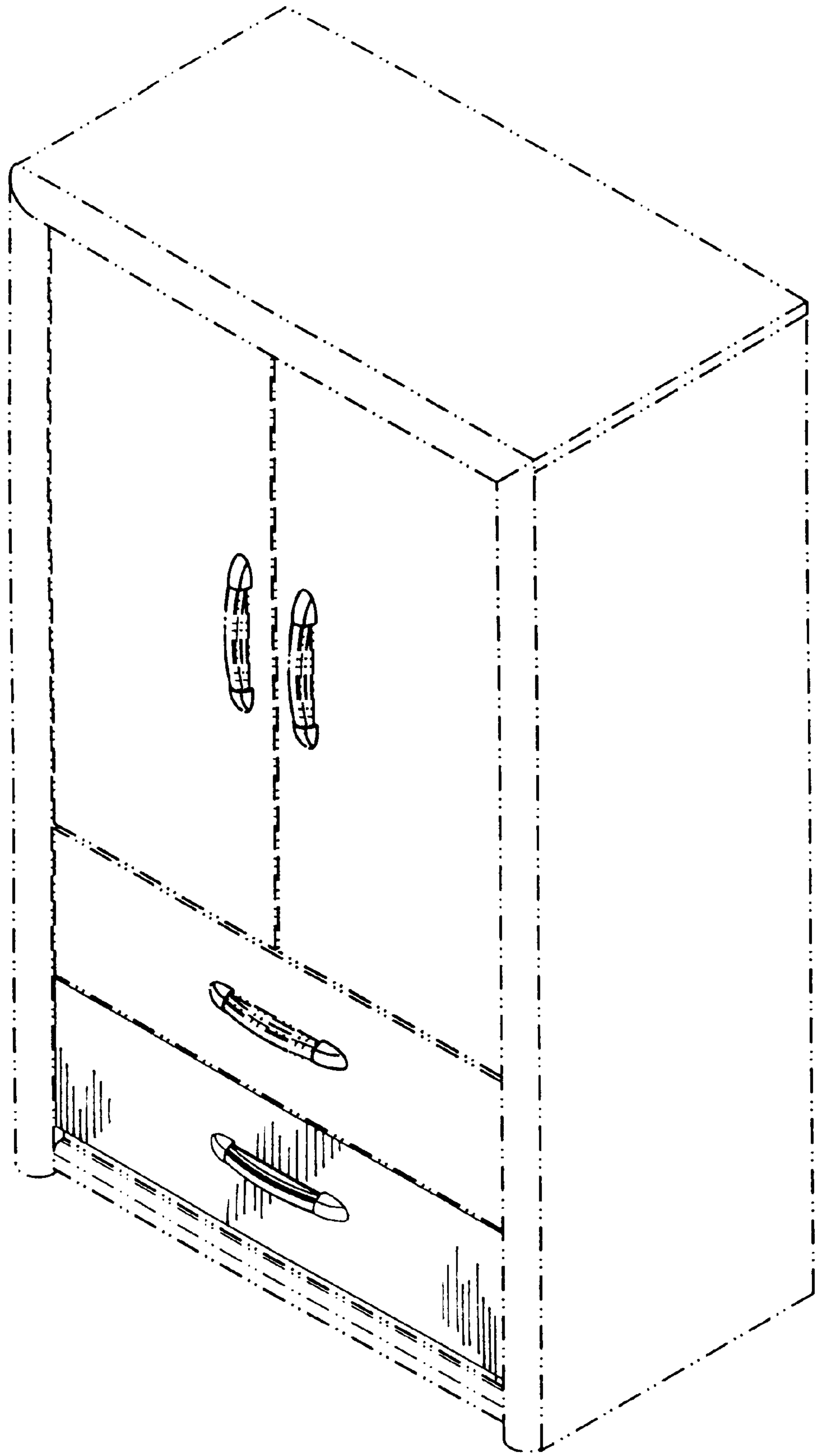


FIG. 4

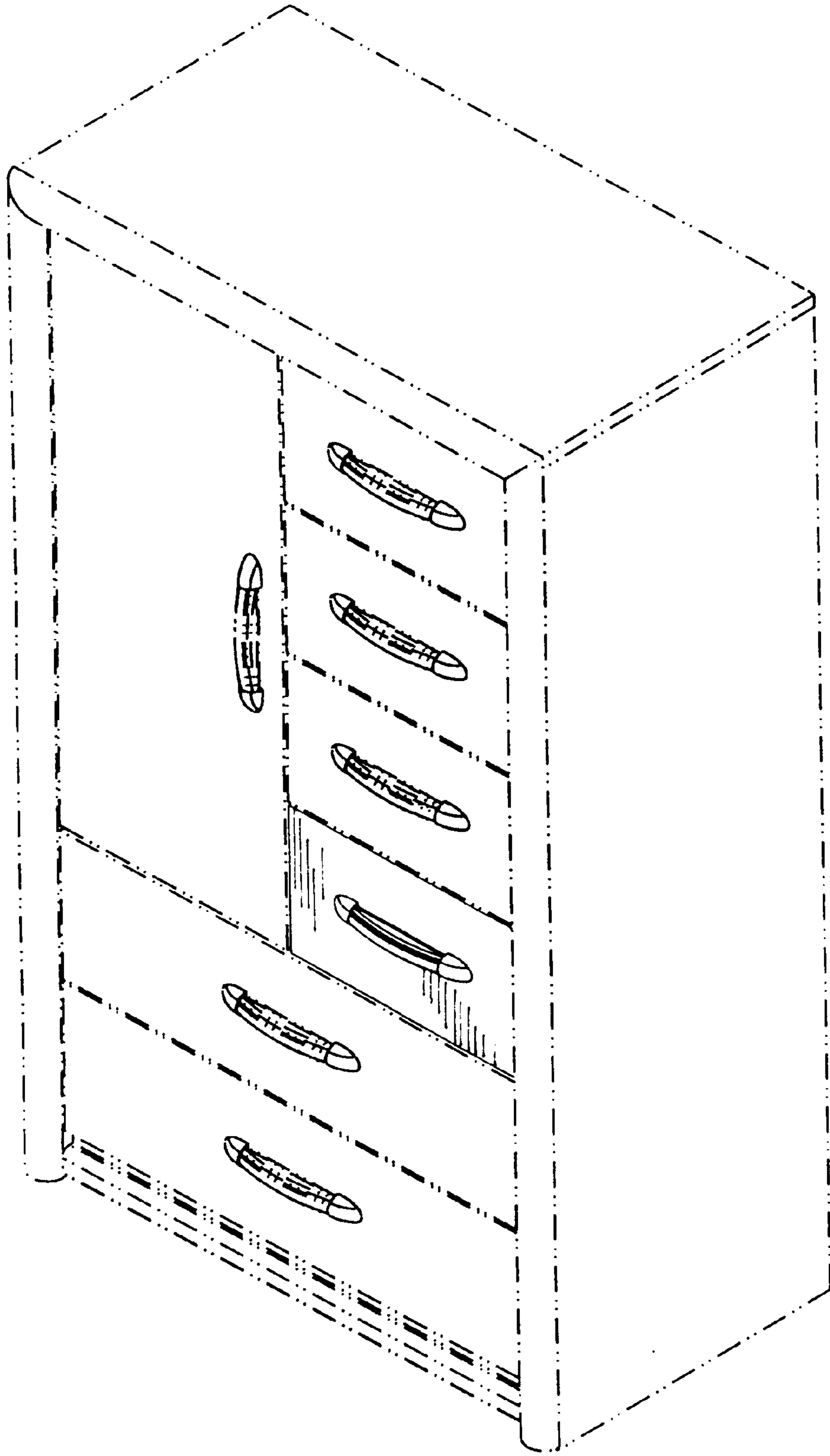


FIG. 5