



US00D420540S

United States Patent [19]

Baumann et al.

[11] Patent Number: **Des. 420,540**

[45] Date of Patent: **** Feb. 15, 2000**

[54] **CHAIR BACK**

[75] Inventors: **Stephen J. Baumann**, Oconomowoc;
Martin E. Olson Gunderson; Mark D. Dart, both of Green Bay, all of Wis.

[73] Assignee: **Krueger International, Inc.**, Green Bay, Wis.

[**] Term: **14 Years**

[21] Appl. No.: **29/097,701**

[22] Filed: **Dec. 11, 1998**

Related U.S. Application Data

[62] Division of application No. 29/067,531, Mar. 6, 1997.

[51] **LOC (7) Cl.** **06-06**

[52] **U.S. Cl.** **D6/500; D6/366**

[58] **Field of Search** D6/334, 364, 365,
D6/366, 367, 372, 373, 374, 379, 380,
500, 501, 502; 297/411.2, 411.36, DIG. 1

[56] References Cited

U.S. PATENT DOCUMENTS

D. 166,192	3/1952	Hamilton	D6/366
D. 194,458	1/1963	Pearson	D6/366
D. 218,159	7/1970	Harlang et al.	D6/366
D. 227,953	7/1973	Prizlow	D6/366
D. 243,486	3/1977	Bukk	D6/366
D. 256,739	9/1980	Acton	D6/366
D. 276,766	12/1984	Truette	D6/366
D. 277,443	2/1985	Murry	D6/366
D. 306,531	3/1990	Snodgrass	D6/366
D. 318,577	7/1991	Chadwick et al.	D6/366

D. 340,589	10/1993	Chu	D6/366
D. 345,060	3/1994	Duncan	.	
D. 349,621	8/1994	Wilson	.	
D. 358,064	5/1995	Larkin	.	
D. 362,973	10/1995	Schultz	D6/366
D. 368,380	4/1996	Olson et al.	D6/366
D. 372,595	8/1996	Schultz et al.	D6/366
D. 393,755	4/1998	Nemetti	D6/366
D. 395,761	7/1998	Saul	.	
D. 397,557	9/1998	Feldberg	.	
D. 398,464	9/1998	Cronk	.	
D. 399,664	10/1998	Goodworth et al.	.	

Primary Examiner—Gary D. Watson
Attorney, Agent, or Firm—Andrus, Scales, Starke & Sawall

[57] CLAIM

The ornamental design for a chair back, as shown and described.

DESCRIPTION

FIG. 1 is an isometric view of a chair back incorporating our new design, wherein the phantom lines illustrate environment and form no part of the claimed design; FIG. 2 is a front elevation view thereof; FIG. 3 is a rear elevation view thereof; FIG. 4 is a top plan view thereof; FIG. 5 is a bottom plan view thereof; and, FIG. 6 is a left side elevation view thereof, the right side elevation view being a mirror image. The broken lines shown in FIGS. 3 and 5 are for illustrative purposes only and form no part of the claimed design. FIGS. 2 through 6 have been shown on an enlarged scale with respect to FIG. 1.

1 Claim, 3 Drawing Sheets

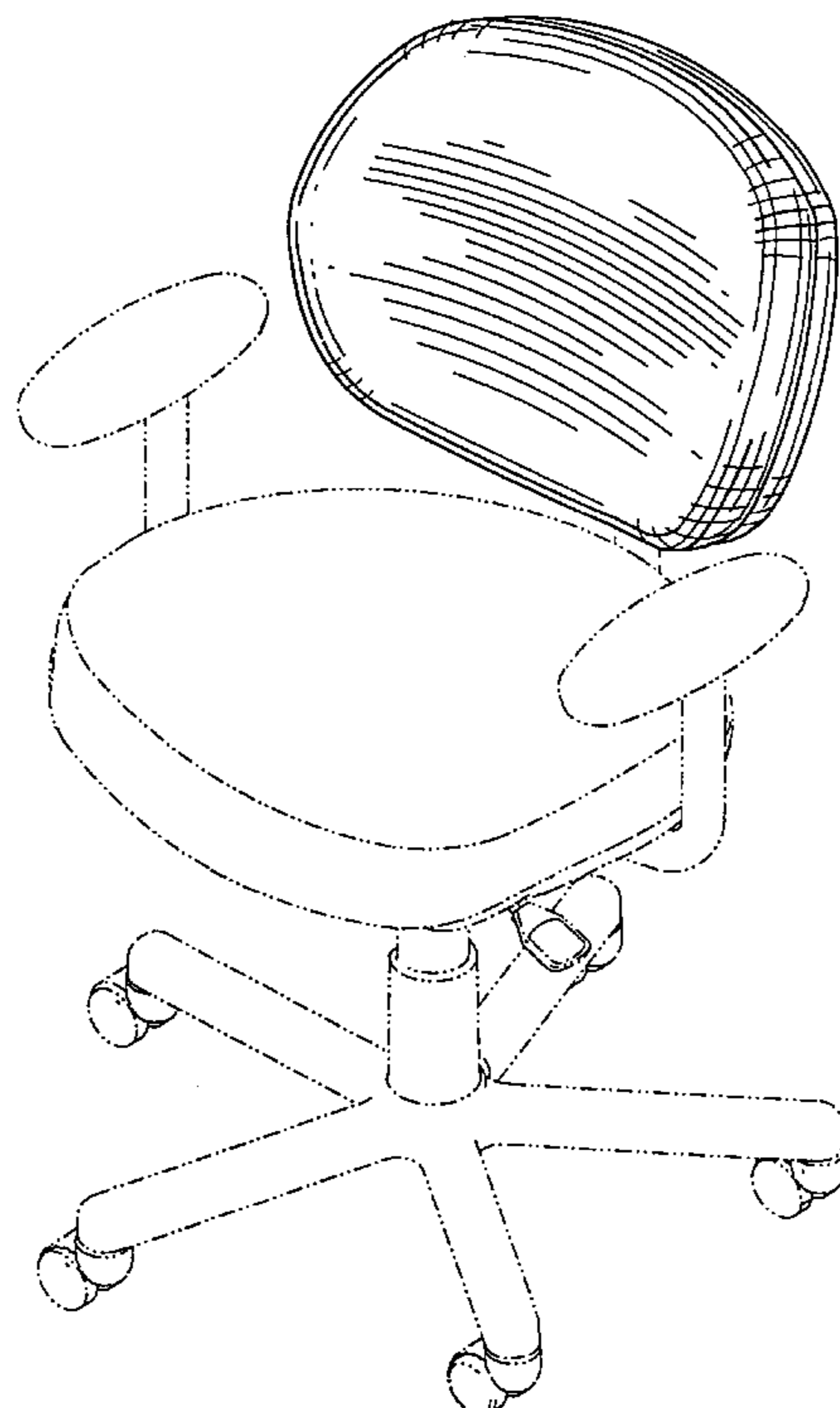


FIG. 1

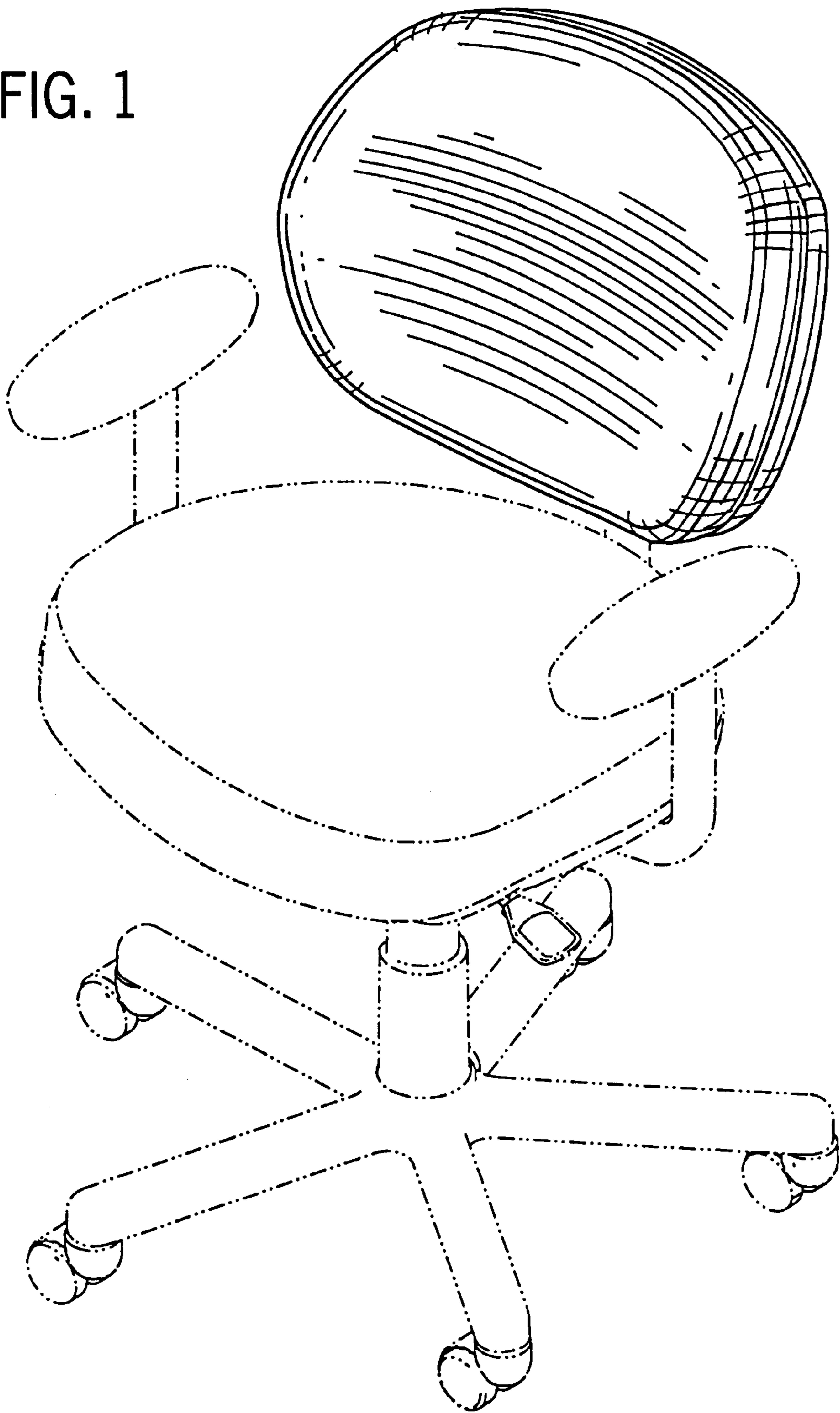


FIG. 2

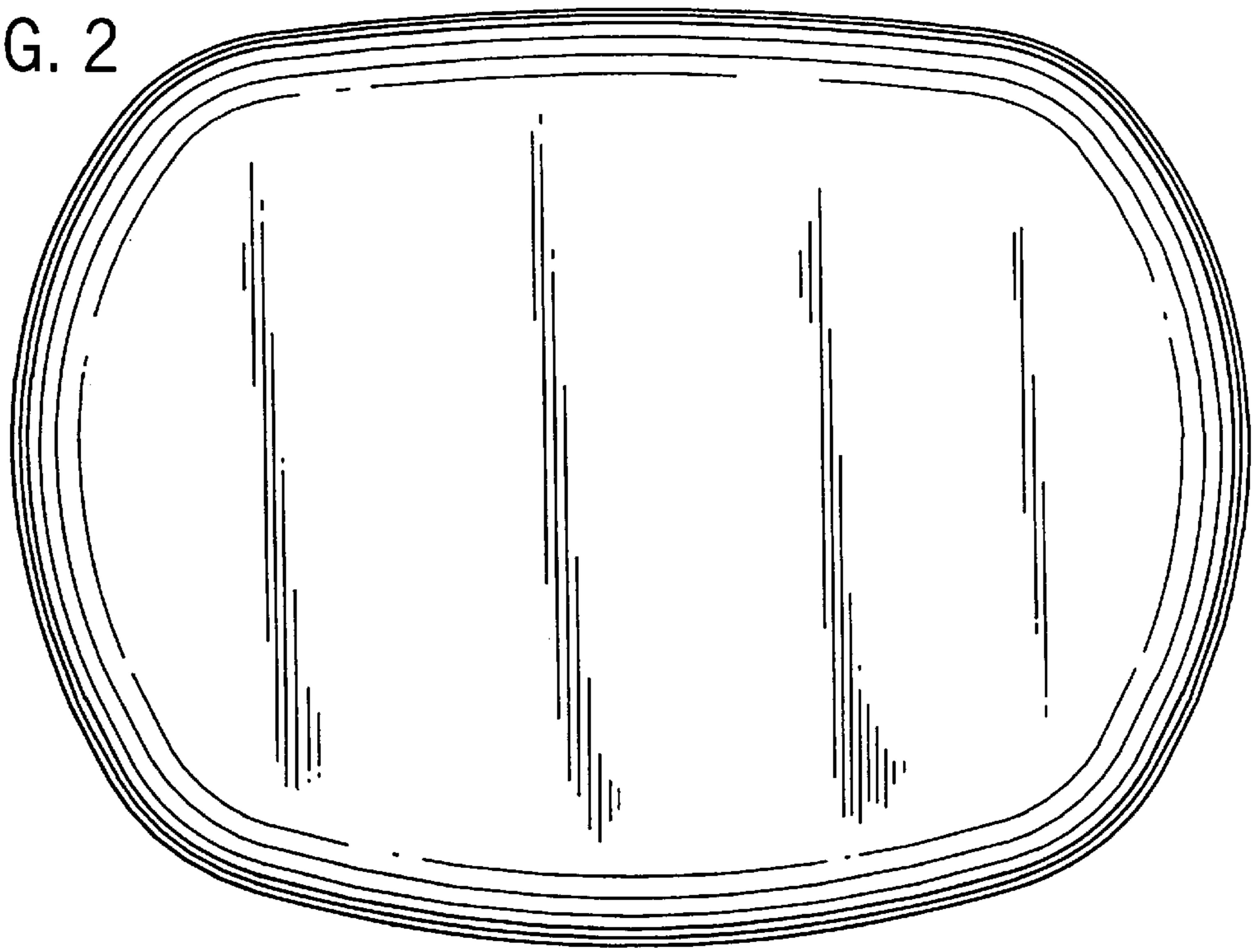


FIG. 3

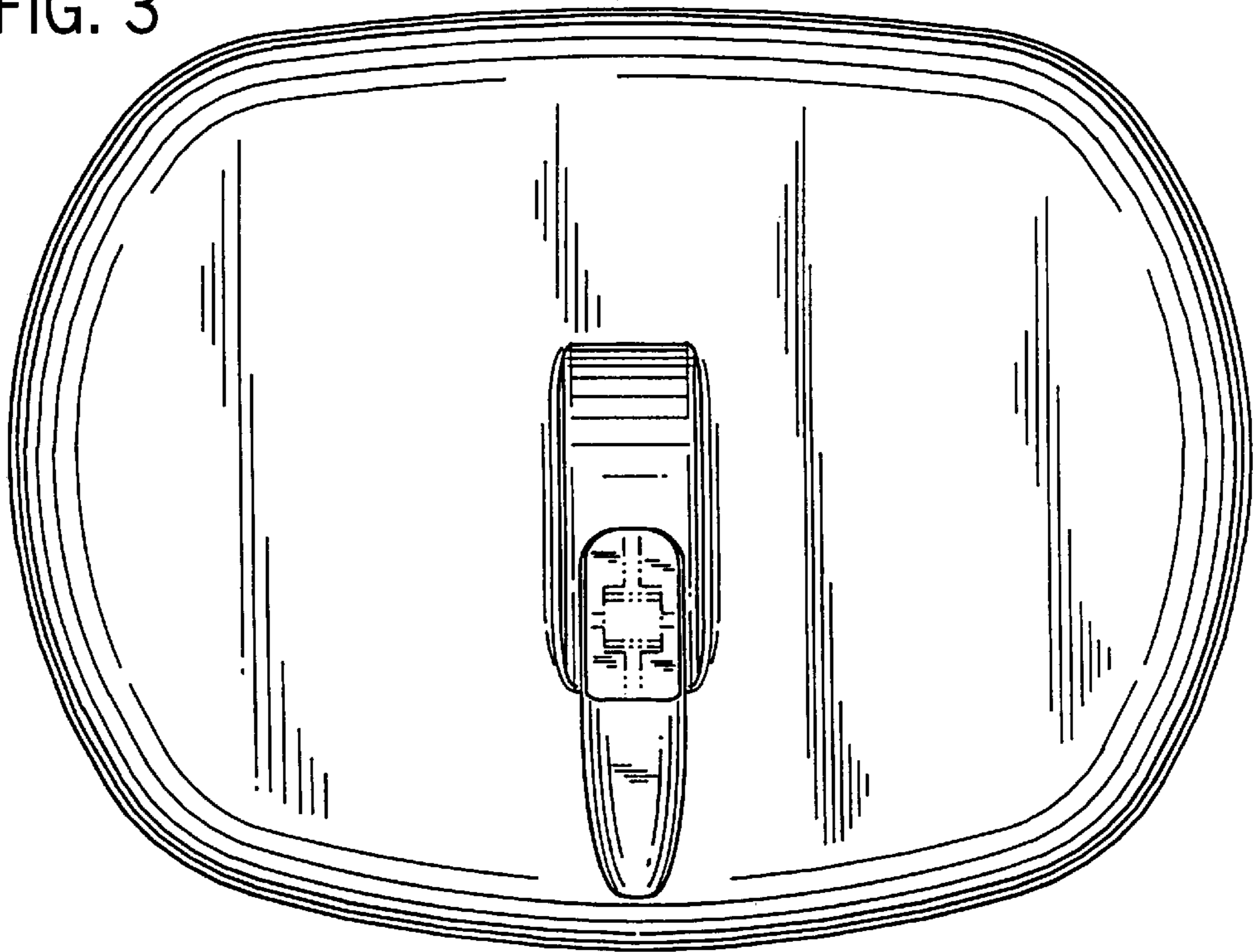


FIG. 4

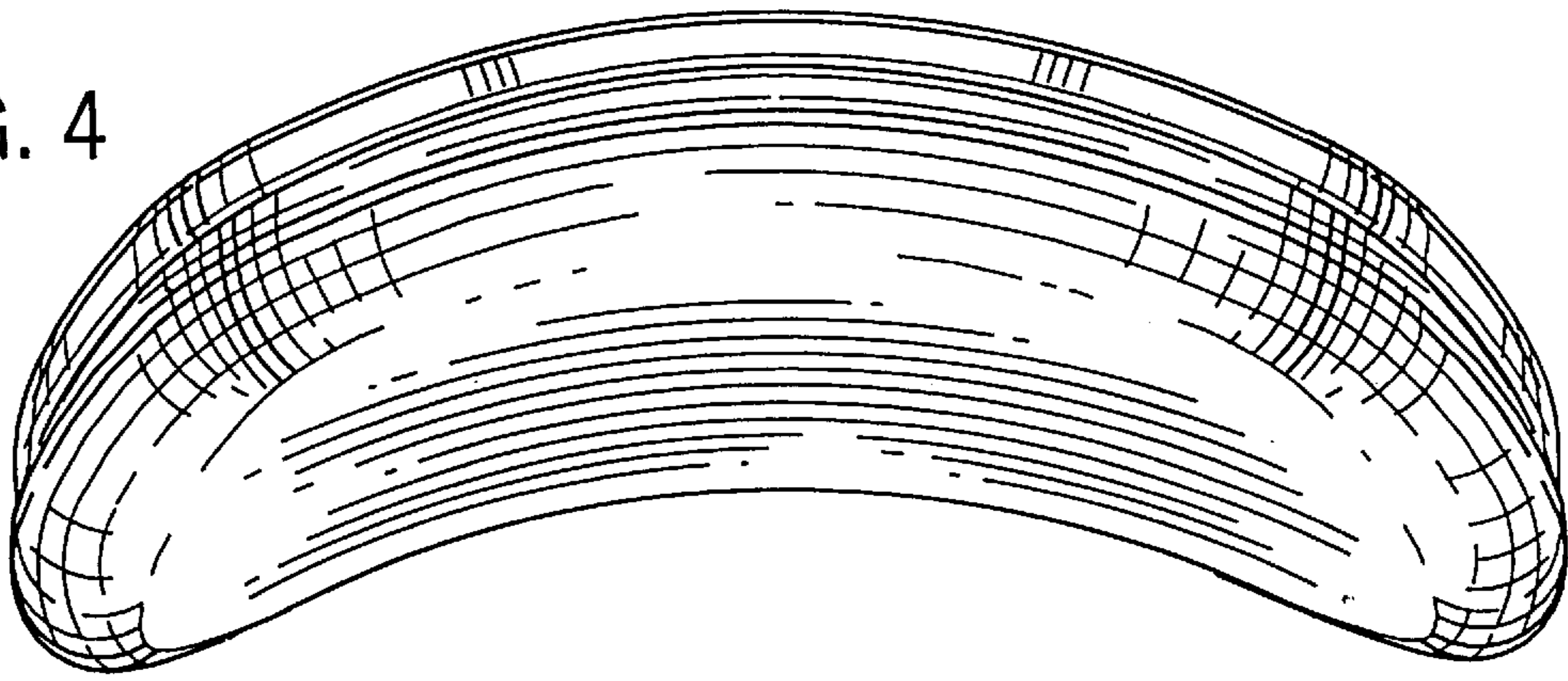


FIG. 5

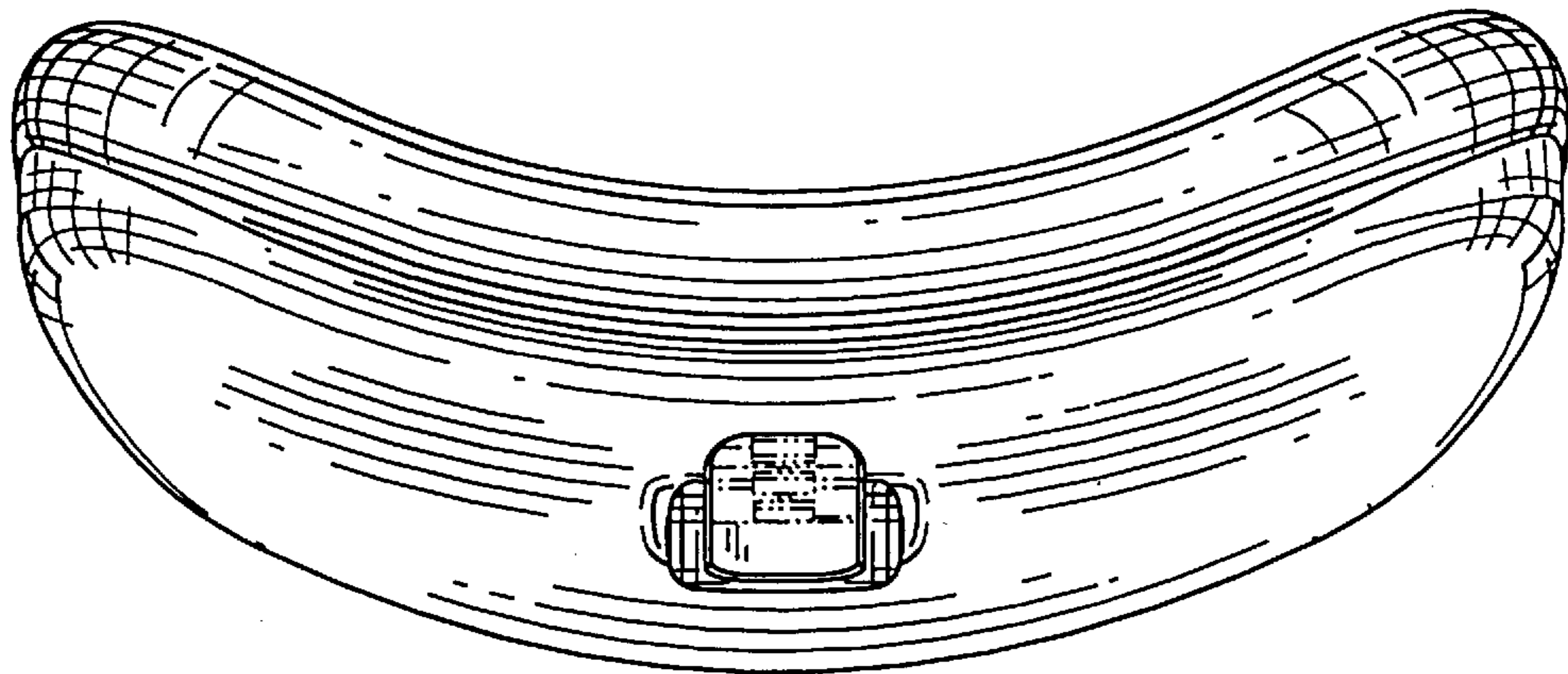


FIG. 6

