



US00D420539S

# United States Patent [19]

[11] **Patent Number: Des. 420,539**

**Tedesco**

[45] **Date of Patent: \*\* Feb. 15, 2000**

- [54] **PUSH-BUTTON FOR A CHAIR**
- [75] Inventor: **Romeo Tedesco**, Weston, Canada
- [73] Assignee: **Global Upholstery Company**,  
Downsview, Canada
- [\*\*] Term: **14 Years**
- [21] Appl. No.: **29/088,674**
- [22] Filed: **May 29, 1998**
- [30] **Foreign Application Priority Data**  
May 22, 1998 [CA] Canada ..... 1998-1263
- [51] **LOC (7) Cl.** ..... **06-06**
- [52] **U.S. Cl.** ..... **D6/500; D13/171; D13/174**
- [58] **Field of Search** ..... D6/366-368, 500-502,  
D6/495, 498; 297/411.2, 411.4, 411.44,  
411.36, 450.1, 452.11, 452.21, 452.29,  
463.1, 230.1, 230.12, 284.1, 284.4; D20/8;  
D14/247, 257, 115; D21/333; D13/171,  
174

5,577,804	11/1996	Tedesco	.....	297/344.19
5,660,438	8/1997	Tedesco	.....	297/284.1
5,711,573	1/1998	Daniels et al.	.....	297/199
5,758,925	6/1998	Schrewe et al.	.....	297/284.6
5,860,699	1/1999	Weeks	.....	297/284.6

*Primary Examiner*—Jeffrey Asch  
*Attorney, Agent, or Firm*—Philip C. Mendes da Coata;  
Bereskin & Parr

## [57] CLAIM

The ornamental design for a push-button for a chair, as shown and described.

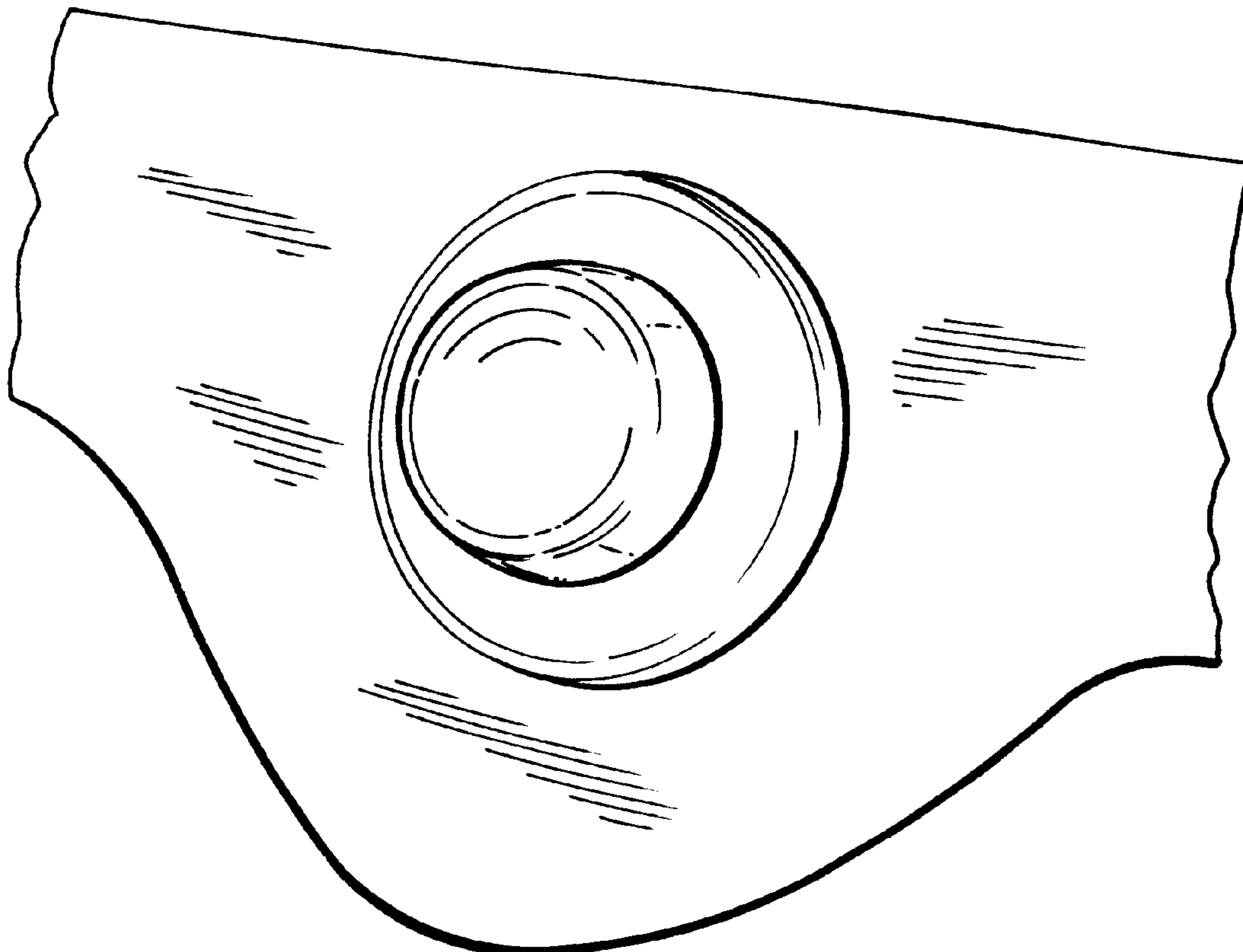
## DESCRIPTION

FIG. 1 is a reduced perspective view of a push-button for a chair showing my new design;  
 FIG. 2 is an enlarged perspective view thereof;  
 FIG. 3 is a front elevational view thereof, the button itself being the same in appearance throughout its periphery;  
 FIG. 4 is a side elevational view thereof;  
 FIG. 5 is a second embodiment of that shown in FIGS. 1-4, the only difference being in the repetition of the design with its mirror image to the left thereof; and,  
 FIG. 6 is a third embodiment of that shown in FIGS. 1-4, the only difference being that this embodiment is a mirror image thereof.

The broken line showings throughout the figures are for illustrative purposes only and form no part of the claimed design.

- [56] **References Cited**
- U.S. PATENT DOCUMENTS**
- D. 172,117 5/1954 Wendling ..... D13/171
- D. 201,801 8/1965 Stevenson ..... D13/171
- D. 217,253 4/1970 Doggart ..... D13/171
- D. 395,761 7/1998 Saul ..... D6/366
- D. 397,889 9/1998 Stumpf ..... D6/501
- 5,076,643 12/1991 Colansti et al. .... 297/DIG. 3

**1 Claim, 2 Drawing Sheets**



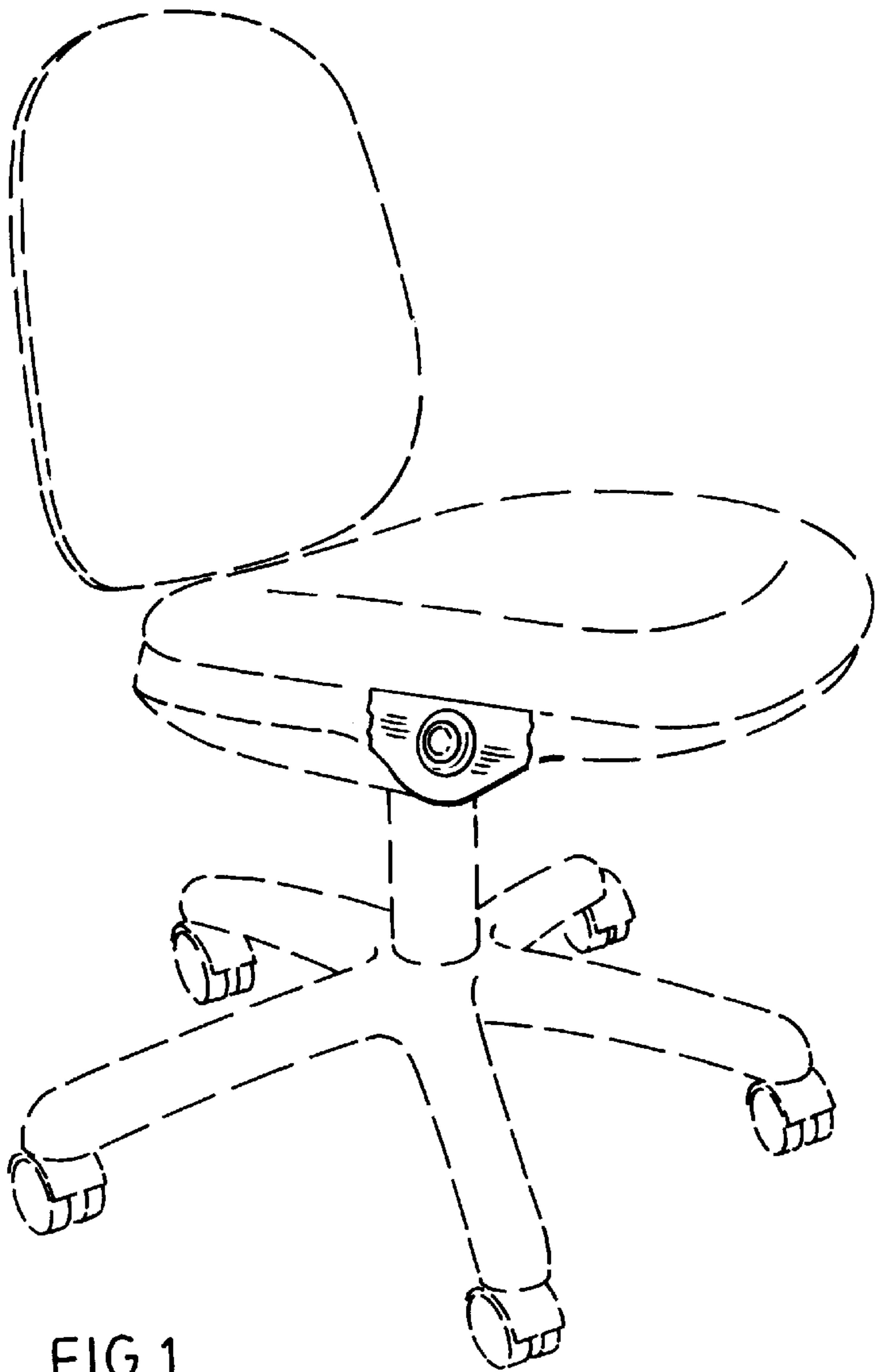


FIG. 1.

FIG. 3.

