



US00D420537S

# United States Patent [19]

Bustos et al.

[11] Patent Number: Des. 420,537

[45] Date of Patent: \*\* Feb. 15, 2000

[54] MODULAR DISPLAY STAND BASE

[75] Inventors: **Rafael T. Bustos**, Atlanta; **Joseph M. Battaglia**, Douglasville, both of Ga.

[73] Assignee: **L&P Property Management Company**, South Gate, Calif.

[\*\*] Term: **14 Years**

[21] Appl. No.: **29/091,303**

[22] Filed: **Jul. 27, 1998**

[51] LOC (7) Cl. .... **06-04**

[52] U.S. Cl. .... **D6/498**

[58] Field of Search ..... D6/455, 449, 509, D6/462, 491, 492, 498, 499, 411, 415; 211/85, 26, 186-198; 248/188, 188.1, 188.7, 346.01, 346.03, 346.04, 346.06

[56] **References Cited**

U.S. PATENT DOCUMENTS

D. 206,330	11/1966	Kasparian	.....	D6/495
D. 238,543	1/1976	Lechner	.	
D. 267,384	12/1982	Faull	.....	D6/498
D. 282,325	1/1986	Meier	.	
D. 292,764	11/1987	Kester	.	
D. 321,101	10/1991	Zucker	.	
D. 334,854	4/1993	Pestone	.	

D. 373,035	8/1996	Keller et al.	.	
D. 389,348	1/1998	Eccles et al.	.....	D6/495
1,140,940	5/1915	Bales	.	
3,167,291	1/1965	Maguire	.....	248/188.1
3,398,981	8/1968	Vincens	.	
3,498,239	3/1970	Bartlett et al.	.	
3,499,625	3/1970	Froedge	.....	248/188.7
3,788,242	1/1974	Hassel et al.	.	
3,838,354	9/1974	Torres-Pena	.	
5,016,765	5/1991	Leonardo	.	
5,042,671	8/1991	Bischoff et al.	.	
5,609,402	3/1997	Kemp	.	

Primary Examiner—Doris V. Coles  
Assistant Examiner—Linda Brooks  
Attorney, Agent, or Firm—Wood, Herron & Evans, L.L.P.

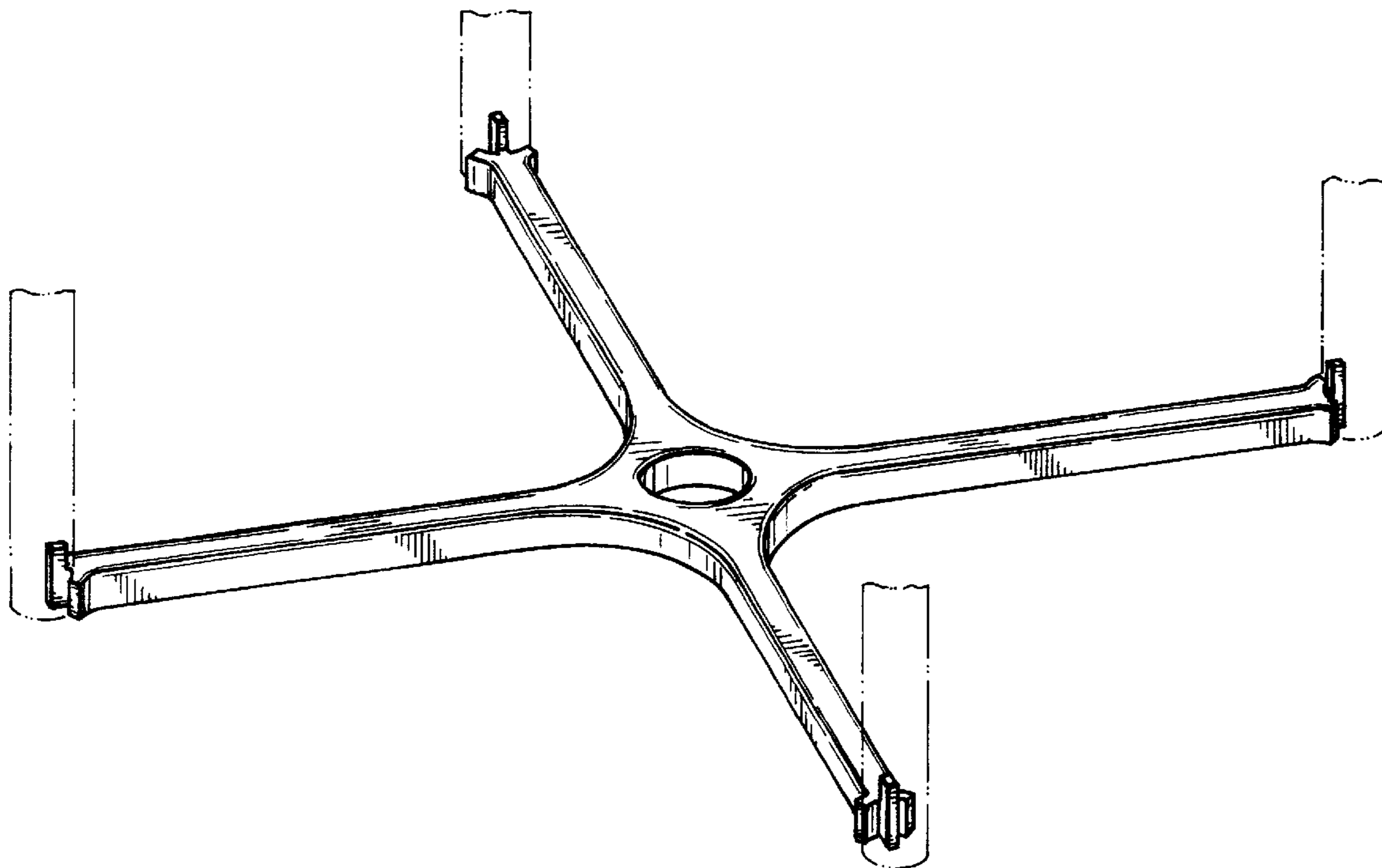
[57] **CLAIM**

The ornamental design for a modular display stand base, as shown and described.

**DESCRIPTION**

FIG. 1 is a perspective view of a modular display stand base showing my design;  
FIG. 2 is a top plan view thereof;  
FIG. 3 is a bottom view thereof; and,  
FIG. 4 is a side view thereof.  
The broken line features are for illustrative purposes only and form no part of the claimed design.

**1 Claim, 2 Drawing Sheets**



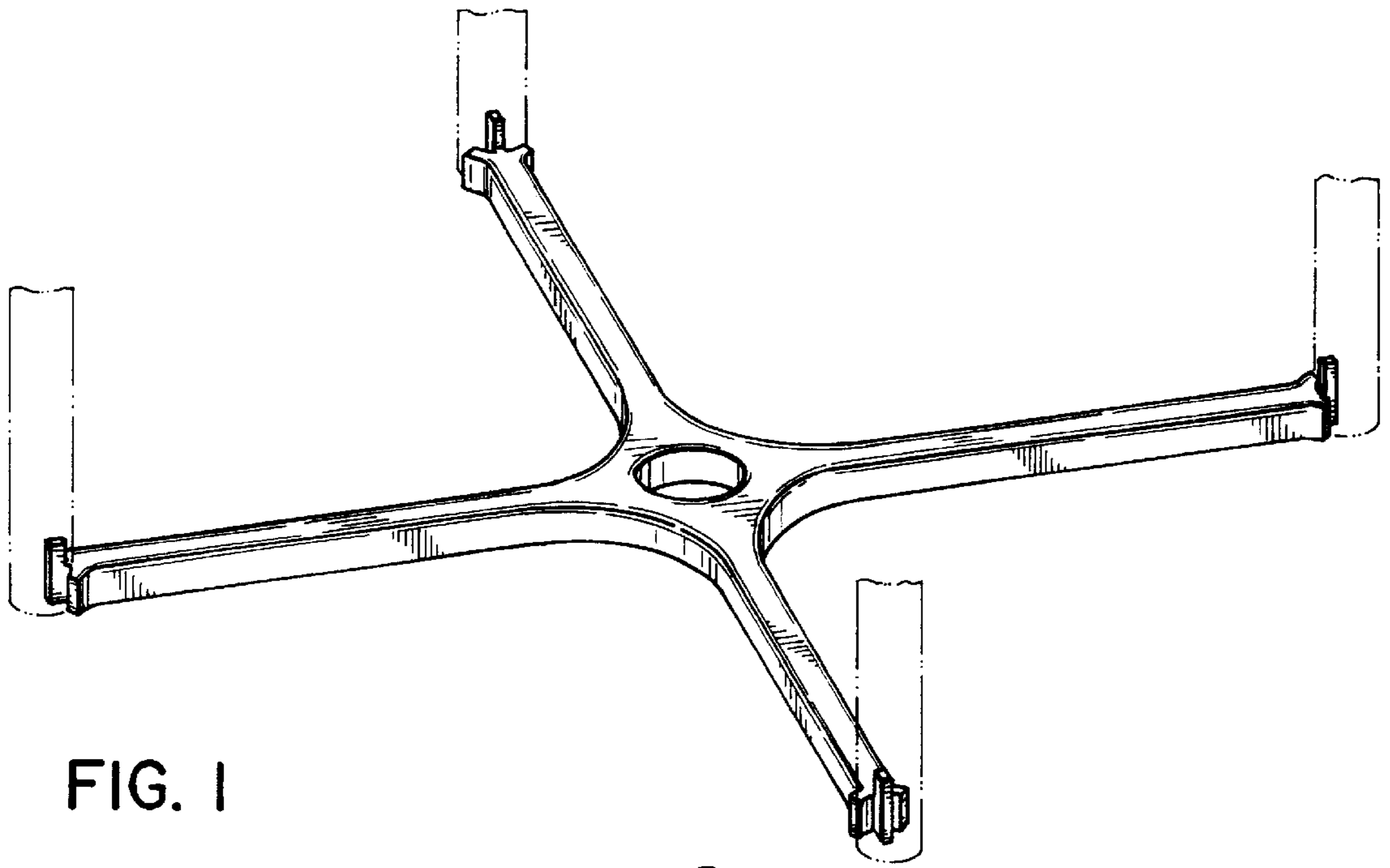


FIG. 1

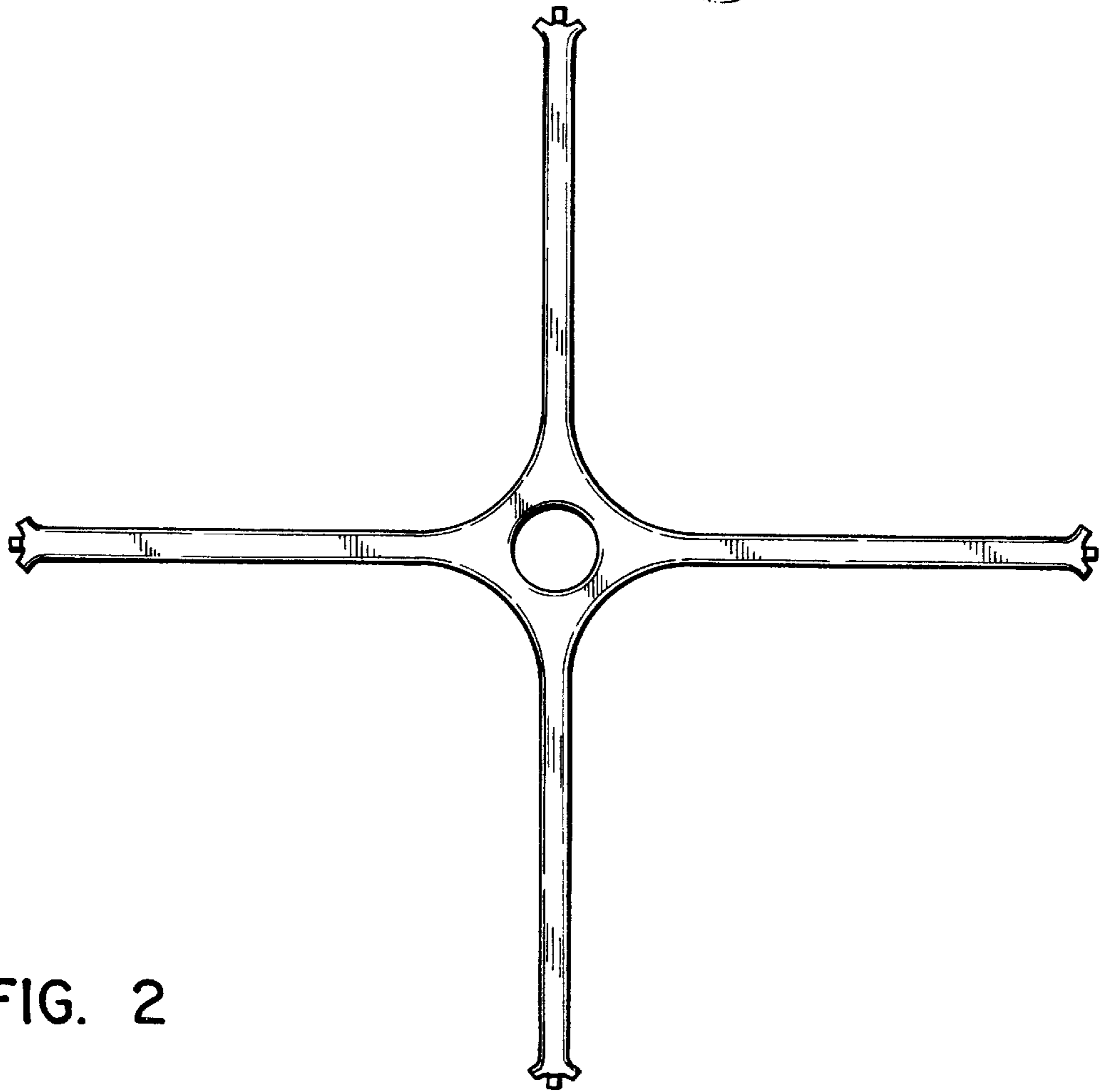


FIG. 2

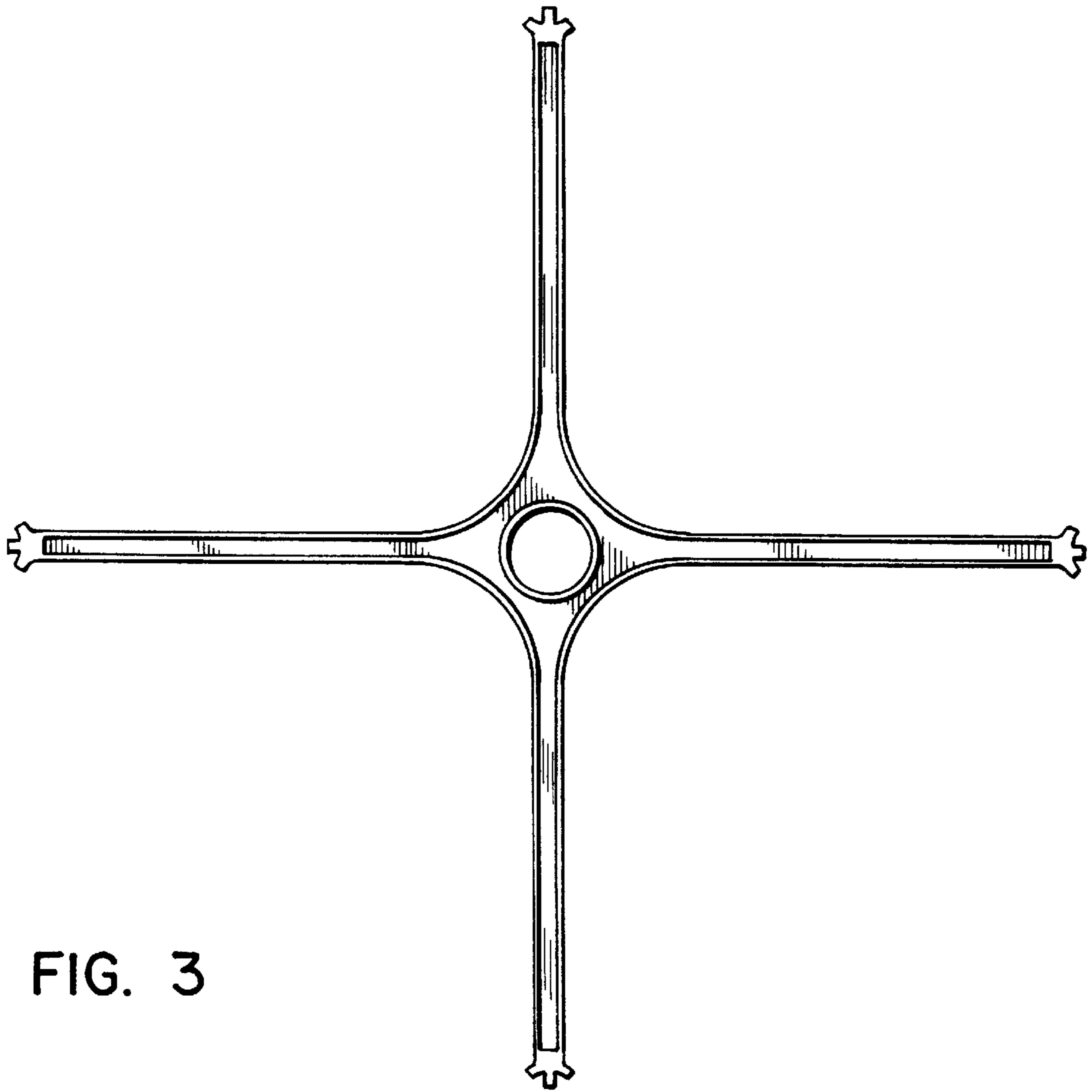


FIG. 3



FIG. 4