



US00D420534S

United States Patent [19]
Ruiz

[11] **Patent Number: Des. 420,534**

[45] **Date of Patent: ** Feb. 15, 2000**

[54] **STORAGE AND DISPLAY RACK**

Attorney, Agent, or Firm—Elsie C. Turner

[76] Inventor: **Richard Ruiz**, 1353 Black Willow Trail, Altamonte Springs, Fla. 32701

[57] **CLAIM**

[**] Term: **14 Years**

The ornamental design for a storage and display rack, as shown and described.

[21] Appl. No.: **29/097,010**

DESCRIPTION

[22] Filed: **Nov. 25, 1998**

FIG. 1 is a perspective view of the front and right sides of a storage and display rack showing a first embodiment of my new design, having rectangular shelves for supporting trophies, which are shown in broken lines for purposes of illustration only and forming no part of the claimed design.

[51] **LOC (7) Cl. 06-04**

[52] **U.S. Cl. D6/474; D6/464**

FIG. 2 is a front elevational view of my new design;

[58] **Field of Search** D6/474, 477, 405, D6/462-468, 455-461, 569-571; 211/90.04, 107, 126.16, 135, 133.4; 108/92

FIG. 3 is a rear elevational view thereof;

[56] **References Cited**

U.S. PATENT DOCUMENTS

D. 238,319	1/1976	Stephenson	D6/474
D. 247,937	5/1978	Dilyard	D6/455
D. 250,372	11/1978	Szabo et al.	D6/405
D. 254,174	2/1980	Horback	D6/474
D. 328,536	8/1992	Ma	D6/474 X
D. 345,871	4/1994	Anderson	D6/458 X
D. 405,533	1/1999	Paul	D6/458

FIG. 4 is a top plan view of the first embodiment;

FIG. 5 is a bottom plan view of the first embodiment;

FIG. 6 is a right side elevational view of my new design;

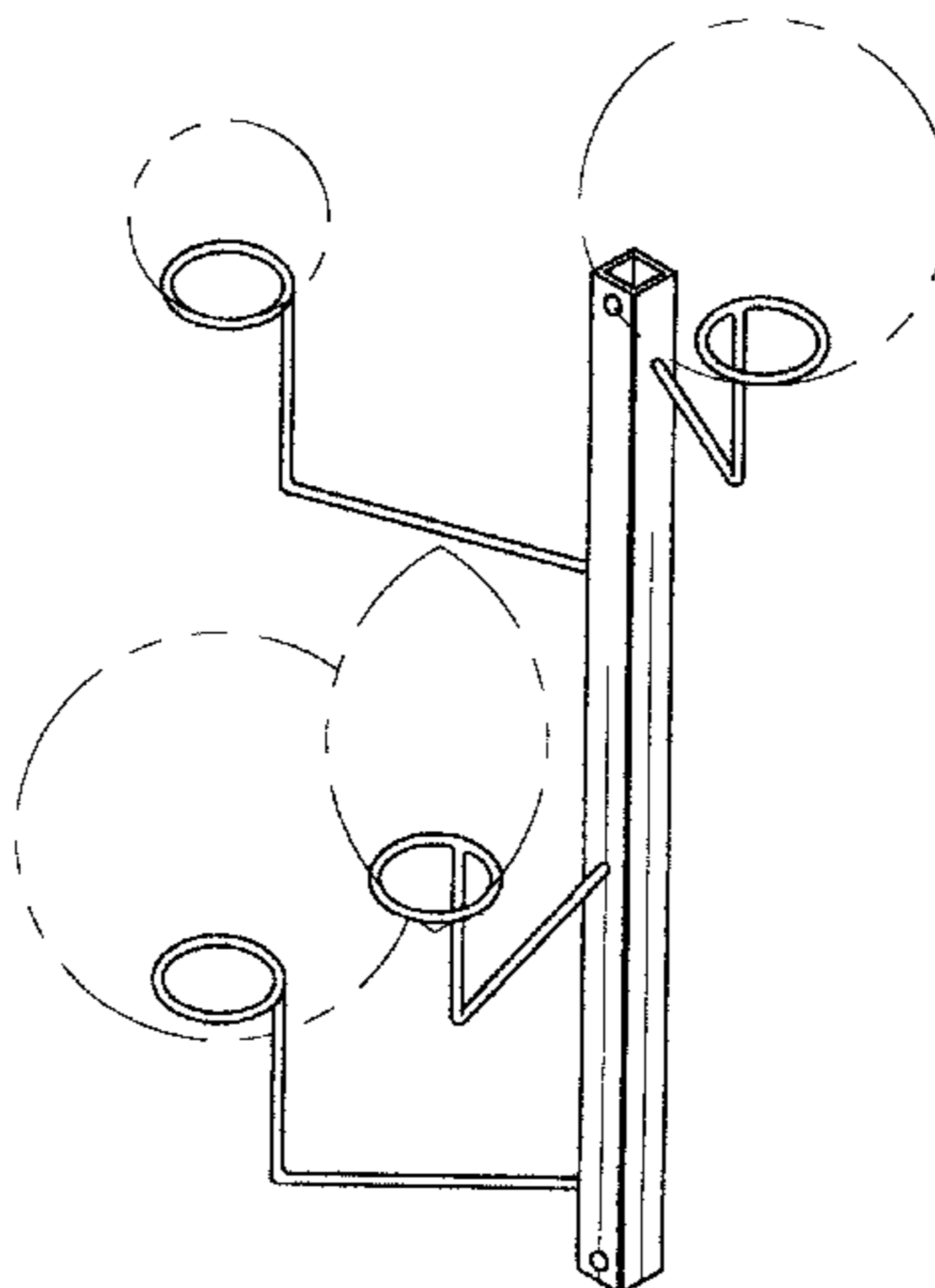
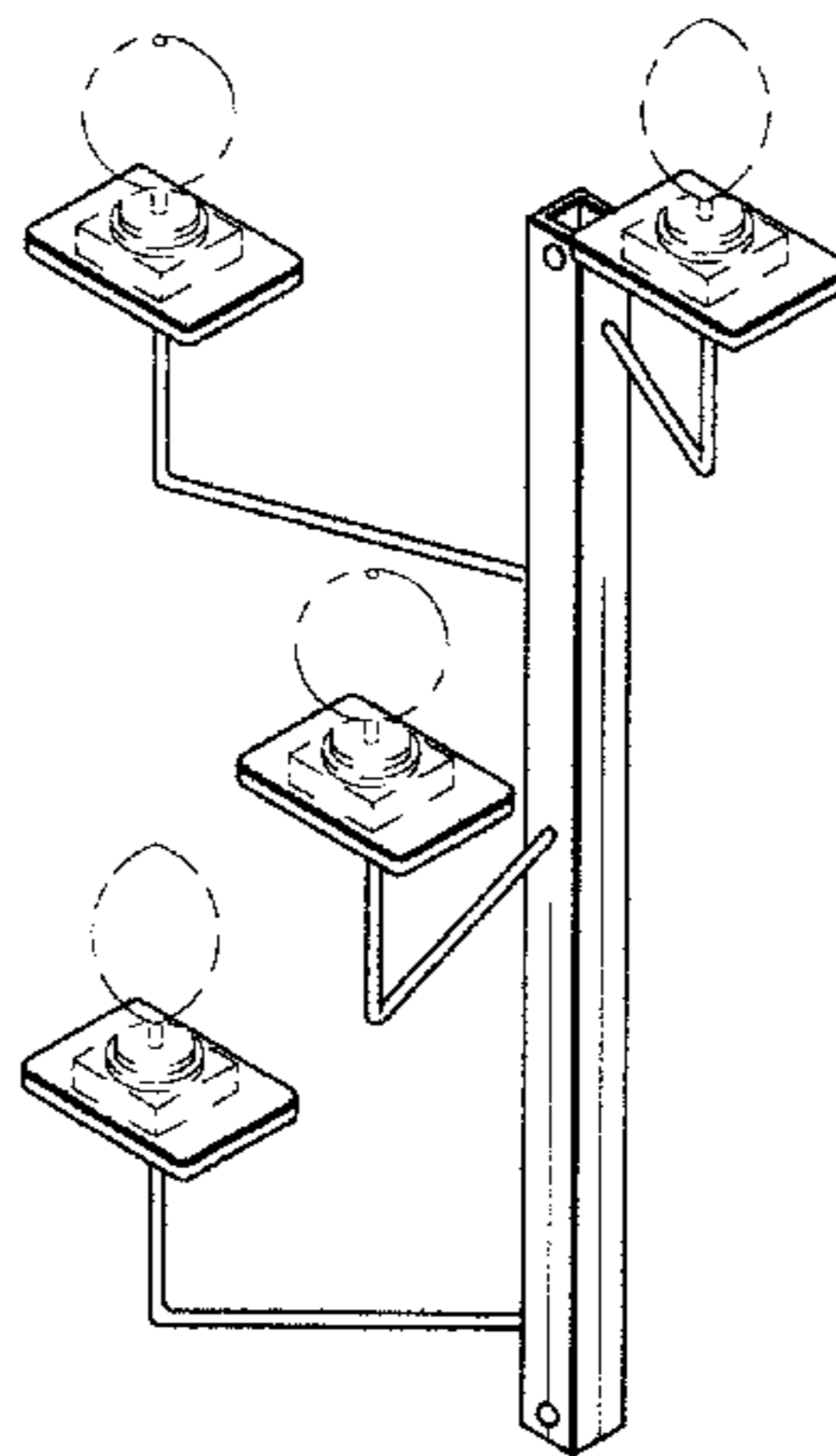
FIG. 7 is a left side elevational view thereof;

FIG. 8 is a perspective view of the front and right sides of a second embodiment, having open rings for supporting balls used in various sports, which are shown in broken lines for purposes of illustration only and forming no part of the claimed design; and,

FIG. 9 is a top plan view of the second embodiment.

Primary Examiner—Doris V. Coles
Assistant Examiner—Linda Brooks

1 Claim, 2 Drawing Sheets



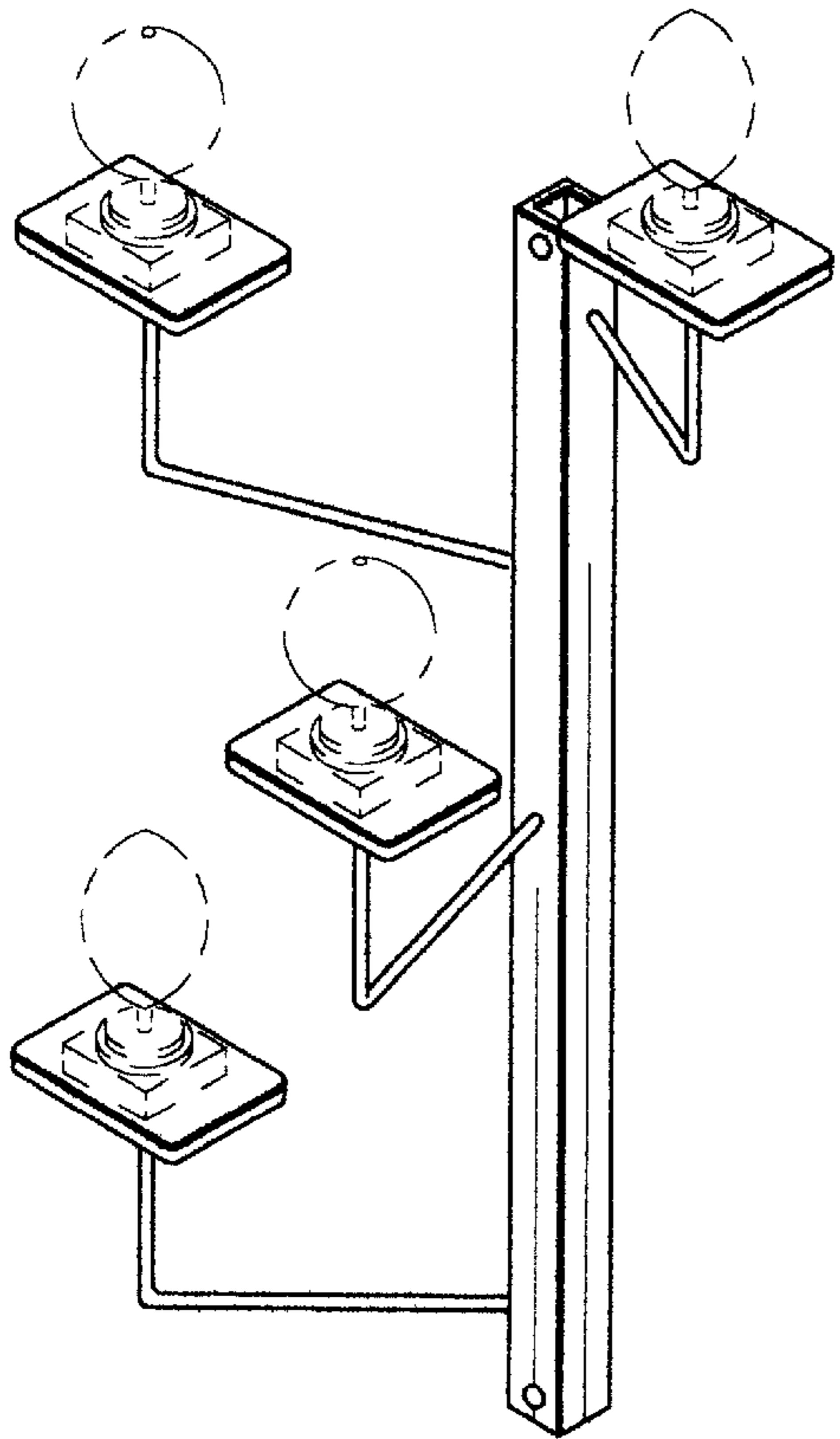


FIG. 1

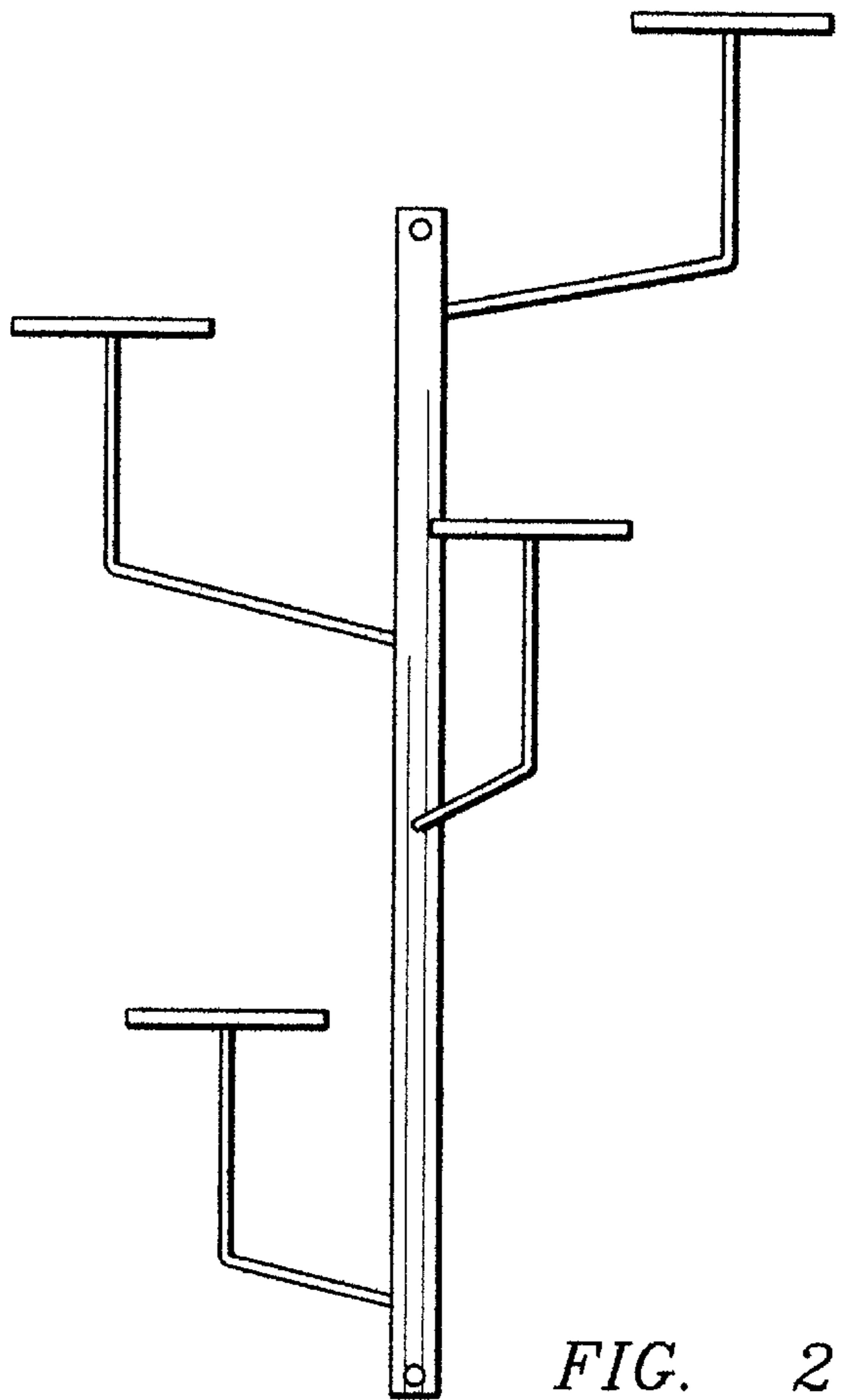


FIG. 2

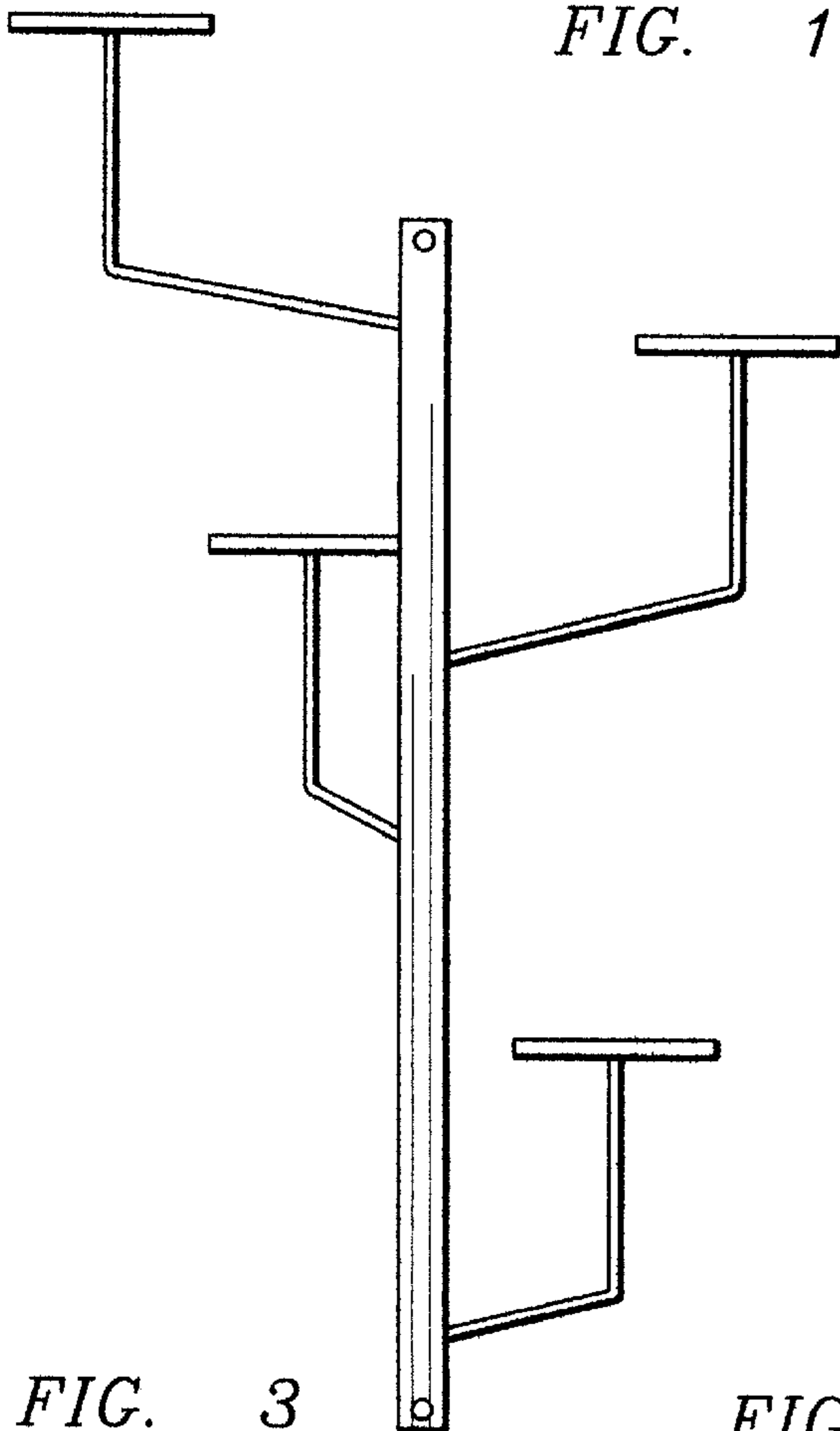


FIG. 3

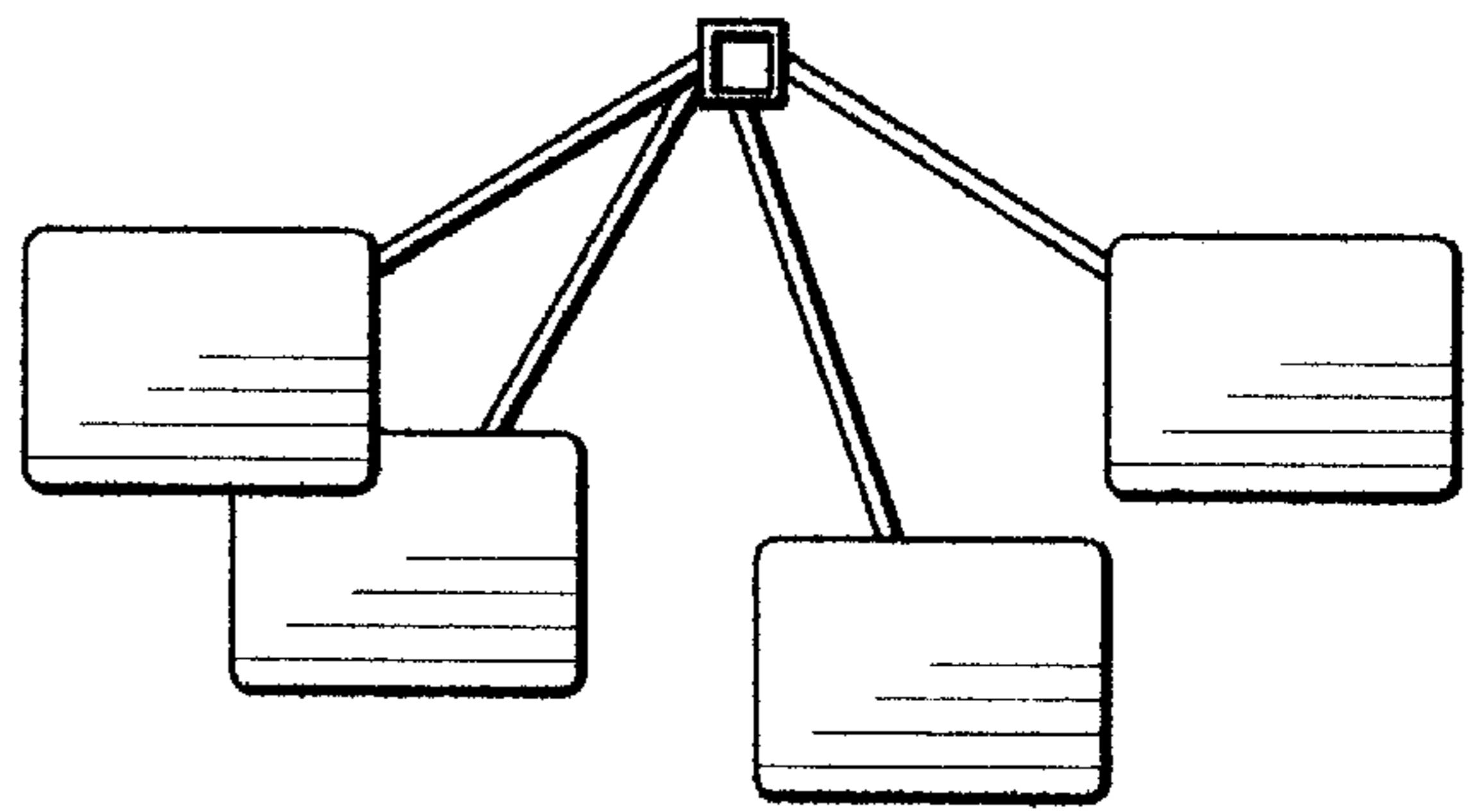


FIG. 4

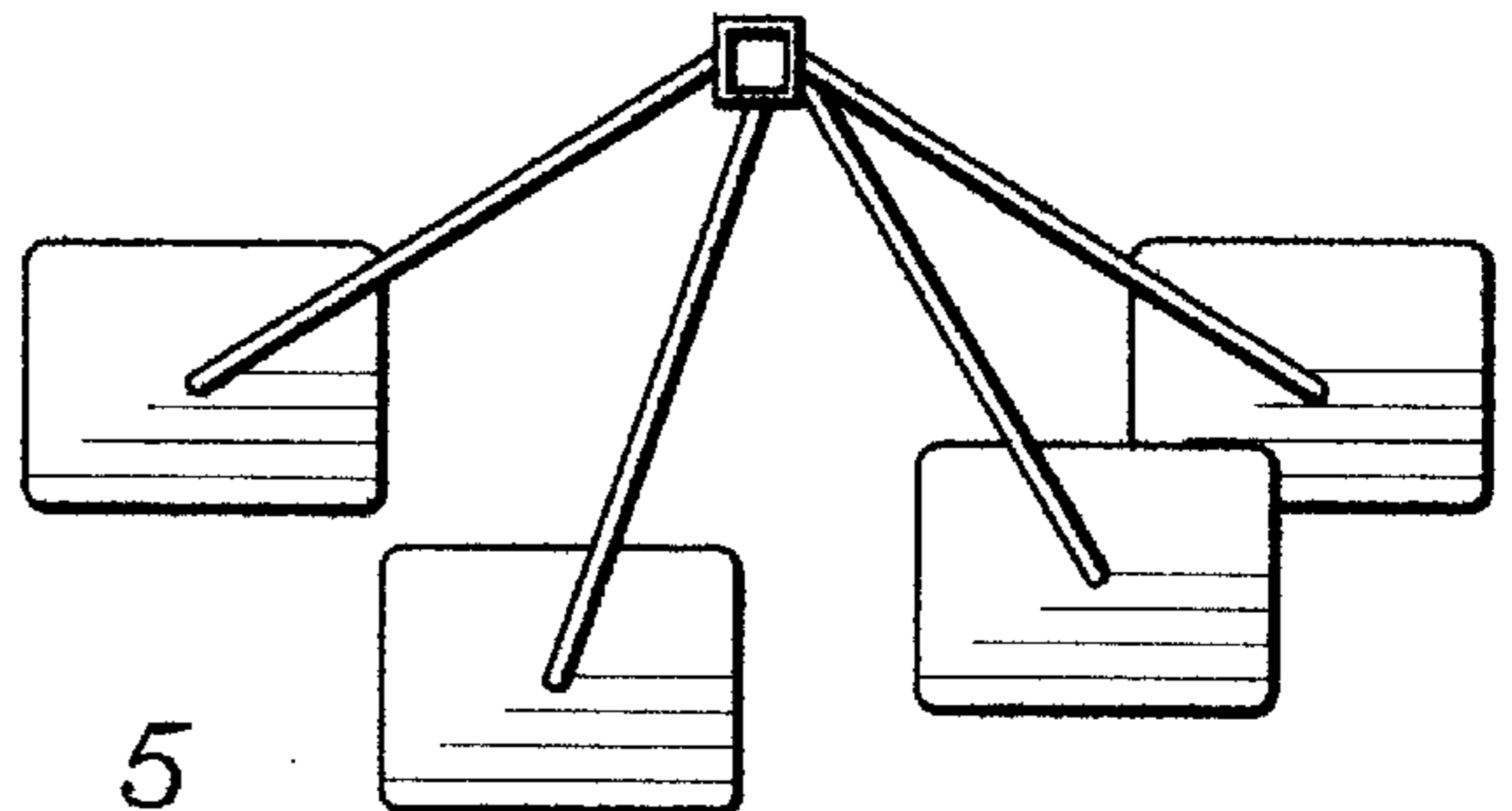


FIG. 5

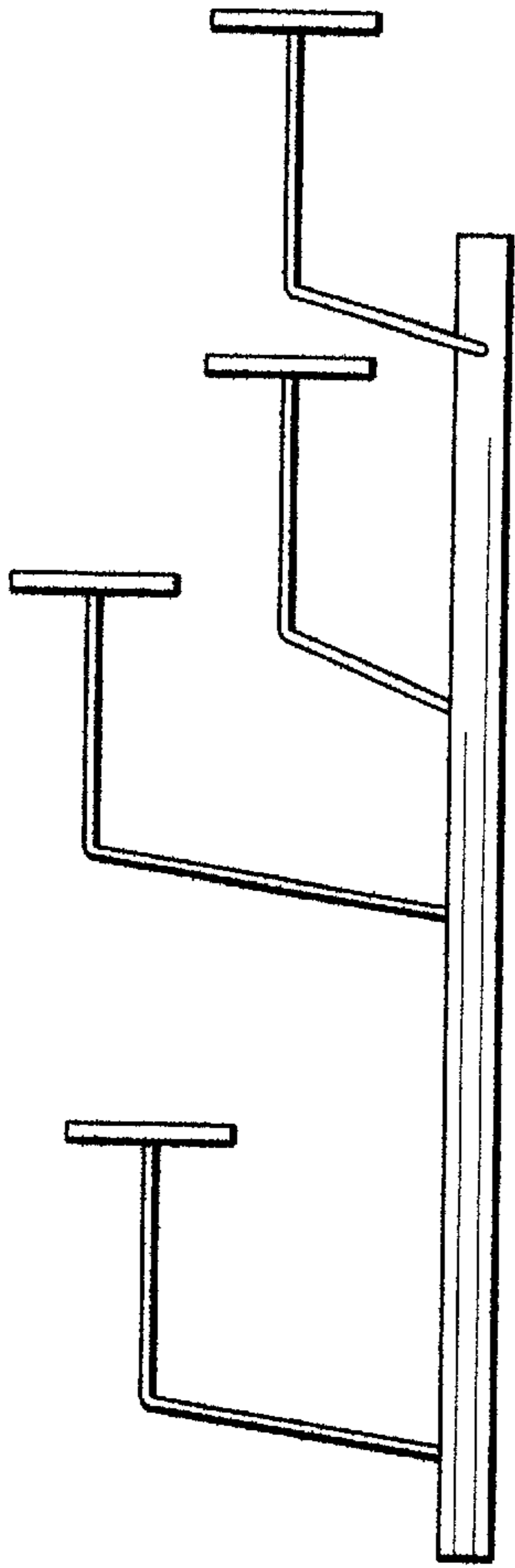


FIG. 6

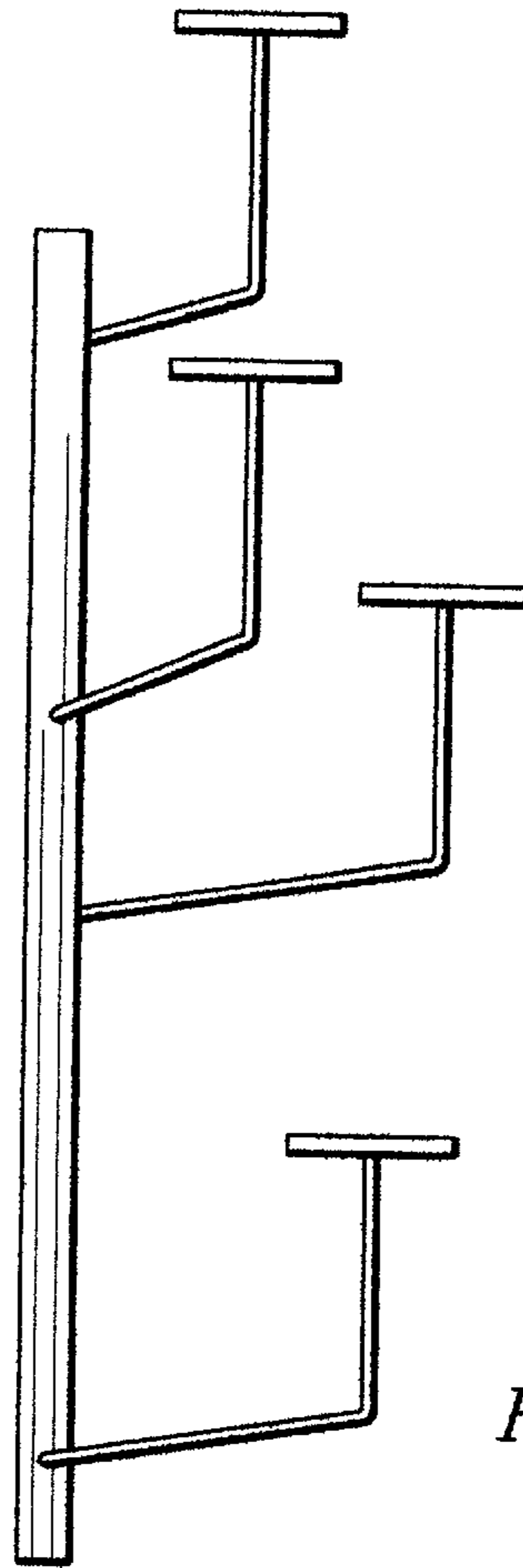


FIG. 7

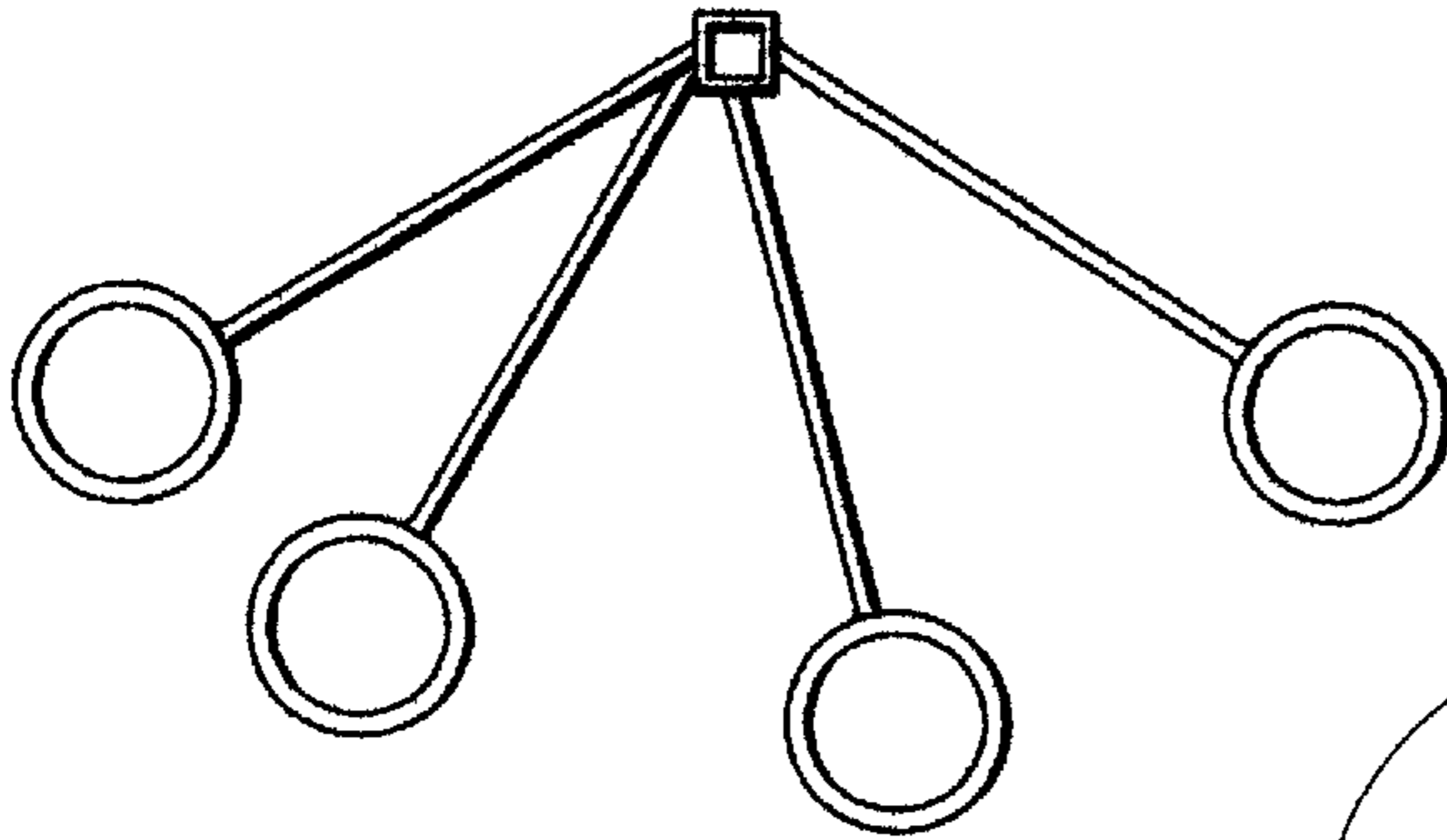


FIG. 9

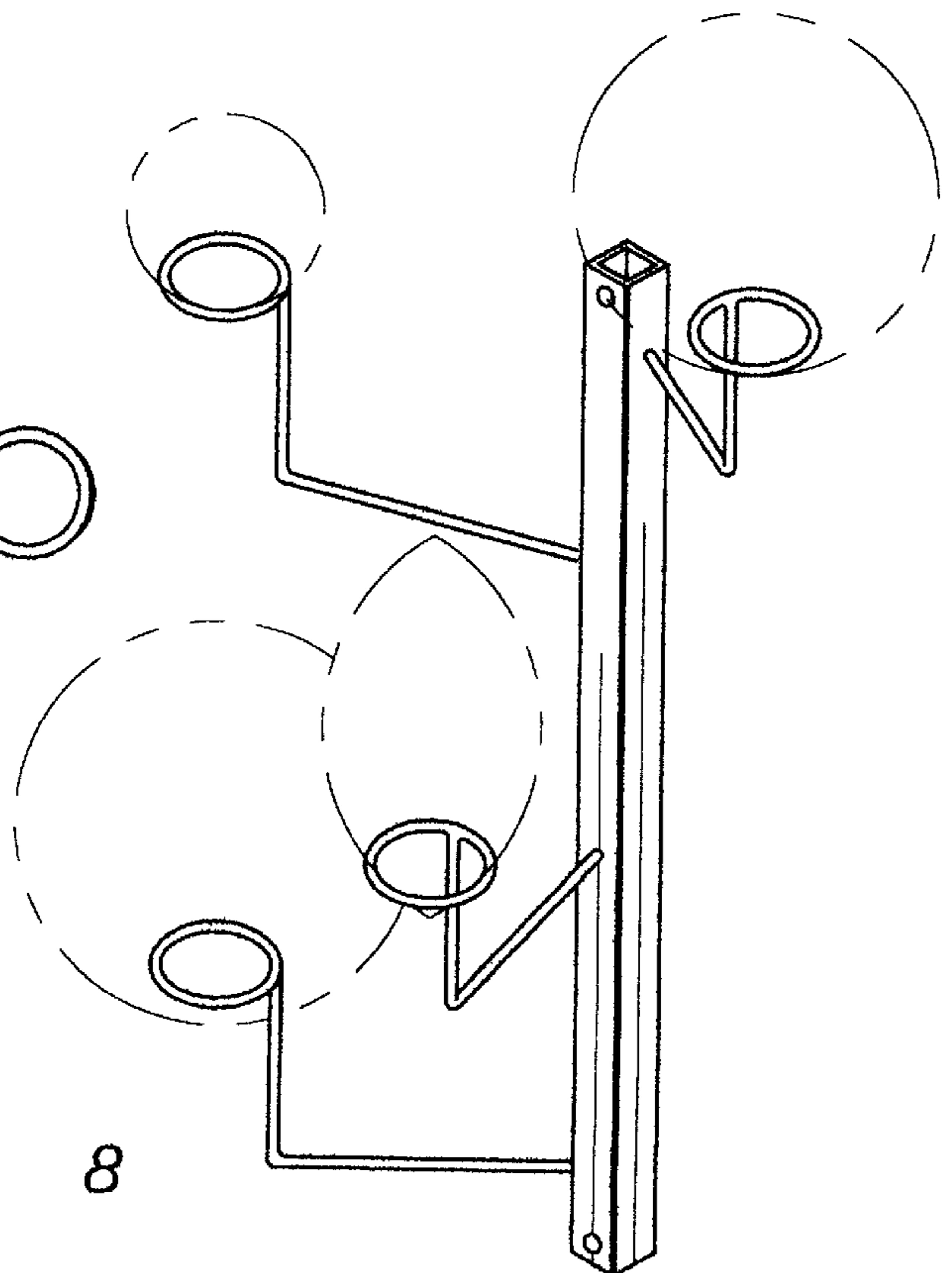


FIG. 8