



US00D420528S

United States Patent [19] Gesing

[11] **Patent Number: Des. 420,528**

[45] **Date of Patent: ** Feb. 15, 2000**

[54] **BUFFET**

[76] Inventor: **Sahara A. Gesing**, 2510 Valencia Ter.,
Charlotte, N.C. 28226

[**] Term: **14 Years**

[21] Appl. No.: **29/105,067**

[22] Filed: **May 17, 1999**

Related U.S. Application Data

[62] Division of application No. 29/078,024, Oct. 15, 1997.

[51] **LOC (7) Cl.** **06-04**

[52] **U.S. Cl.** **D6/436**

[58] **Field of Search** D6/480-489, 495,
D6/497, 477, 436; 108/153.1, 156, 157.1,
161; 248/188, 188.1

[56] References Cited

U.S. PATENT DOCUMENTS

- D. 281,125 10/1985 Brown D6/477
- D. 371,700 7/1996 Rosen D6/483

OTHER PUBLICATIONS

- Lazarus, Aug. 1992, front cover, table.
- Thomasville, Replicas 11800, p. 24, Jan. 1984, table at top left.

Thomasville Replicas 1800, p. 14, Jan. 1984, buffet at bottom left.

Thomasville Replicas 1800, p. 16, Jan. 1984, buffet at top and center.

Pennsylvania House, Jun. 1994, p. 134, table at lower left.

Pennsylvania House, Jun. 1994, p. 135, table at top right.

Primary Examiner—Janice E. Seeger
Attorney, Agent, or Firm—Kilpatrick Stockton LLP;
Charles W. Calkins; James J. Bindseil

[57] CLAIM

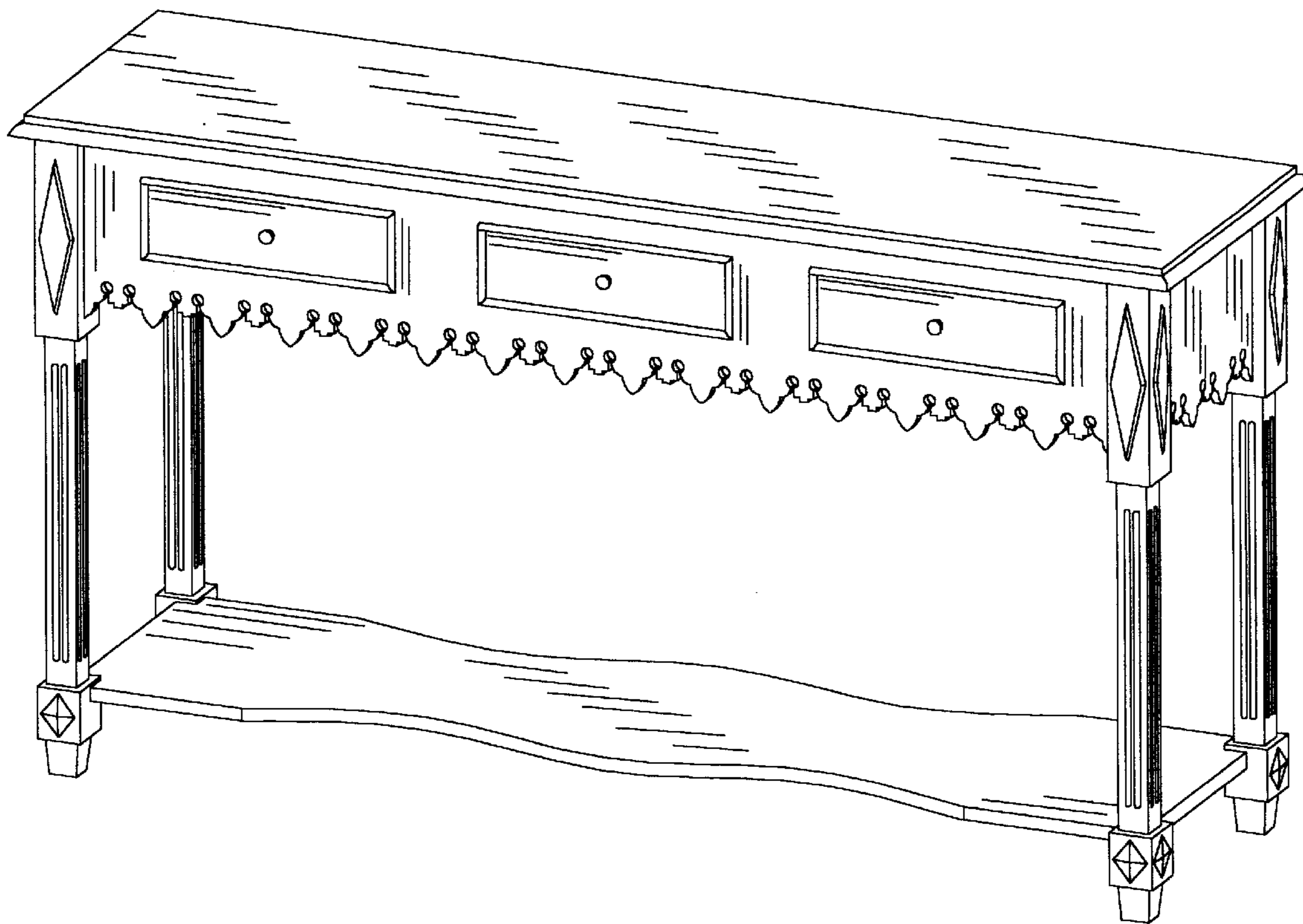
The ornamental design for a buffet, as shown and described.

DESCRIPTION

FIG. 1 is a perspective view of a buffet of my new design;
FIG. 2 is a front elevational view thereof;
FIG. 3 is a left side elevational view thereof, the opposite side being identical; and,
FIG. 4 is a top plan view thereof.

The rear and bottom views form no part of the claimed design.

1 Claim, 2 Drawing Sheets



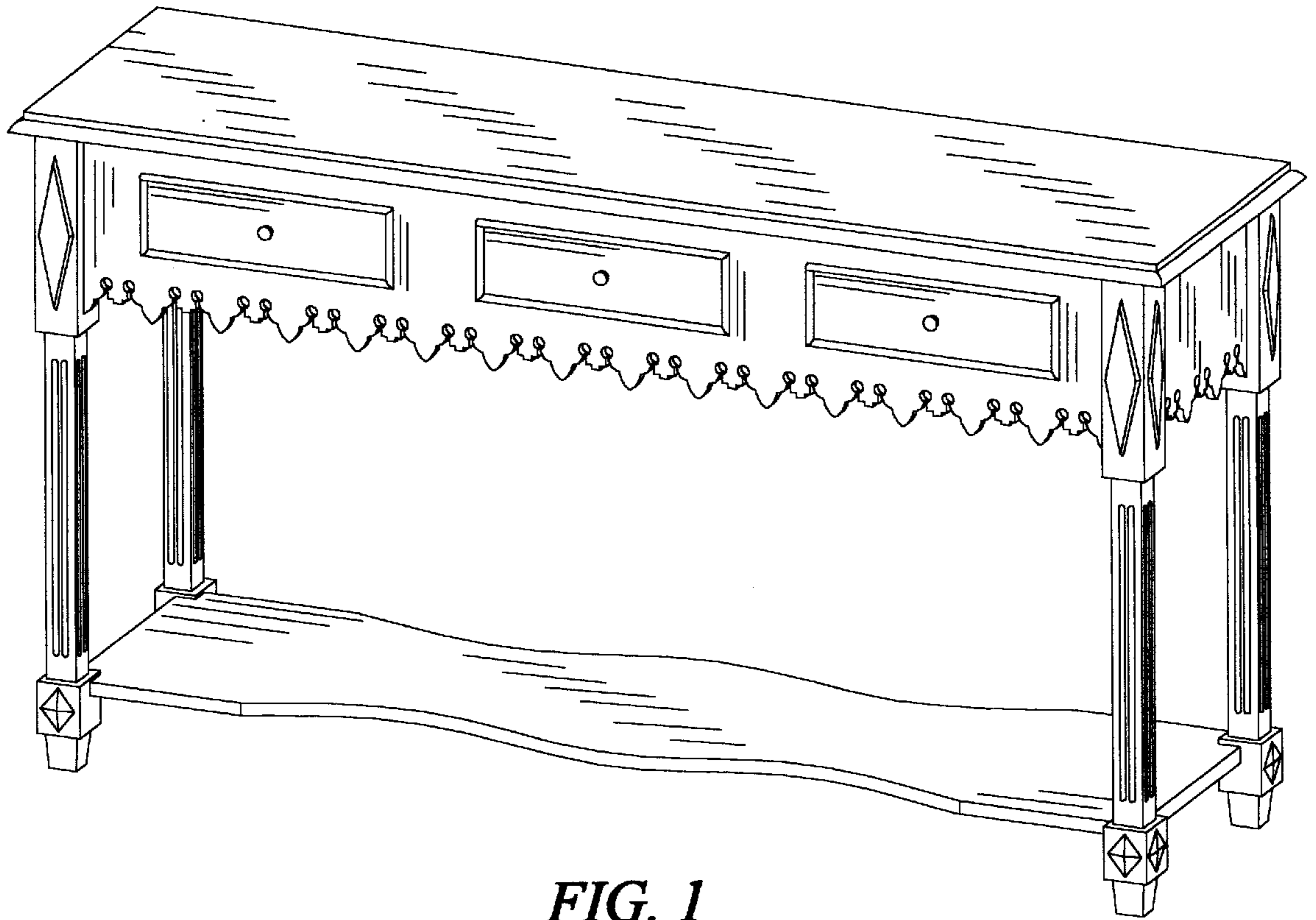


FIG. 1

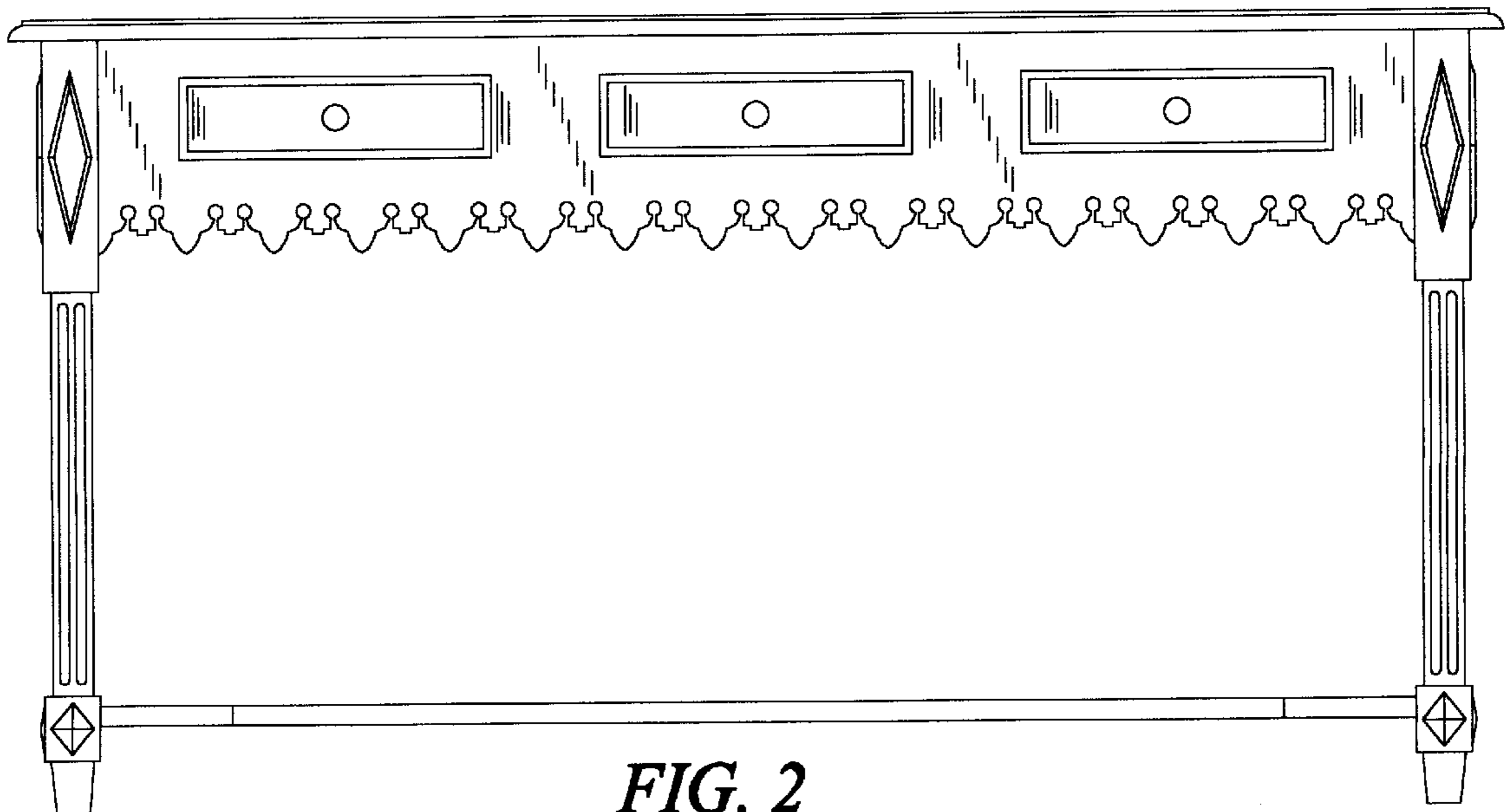


FIG. 2

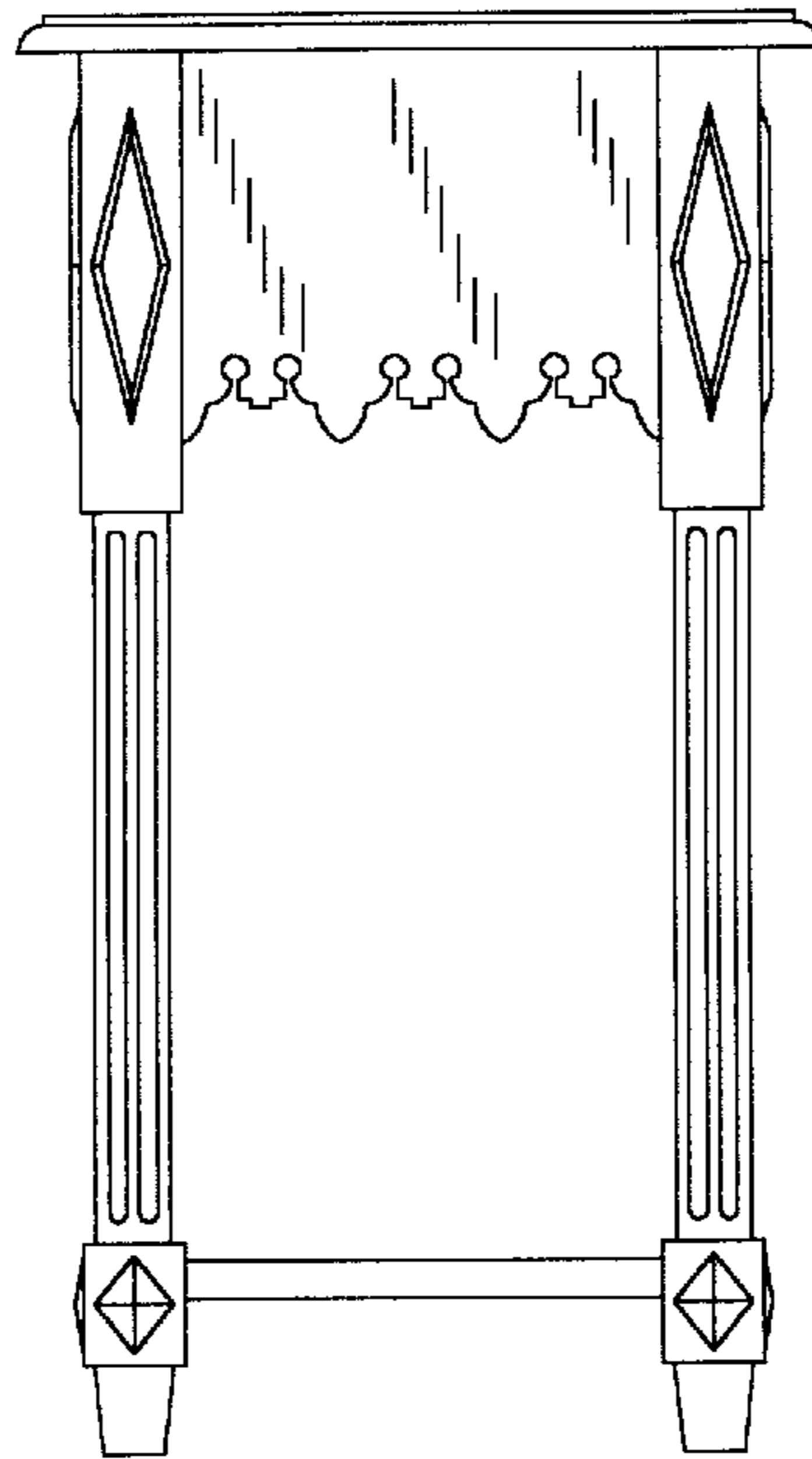


FIG. 3

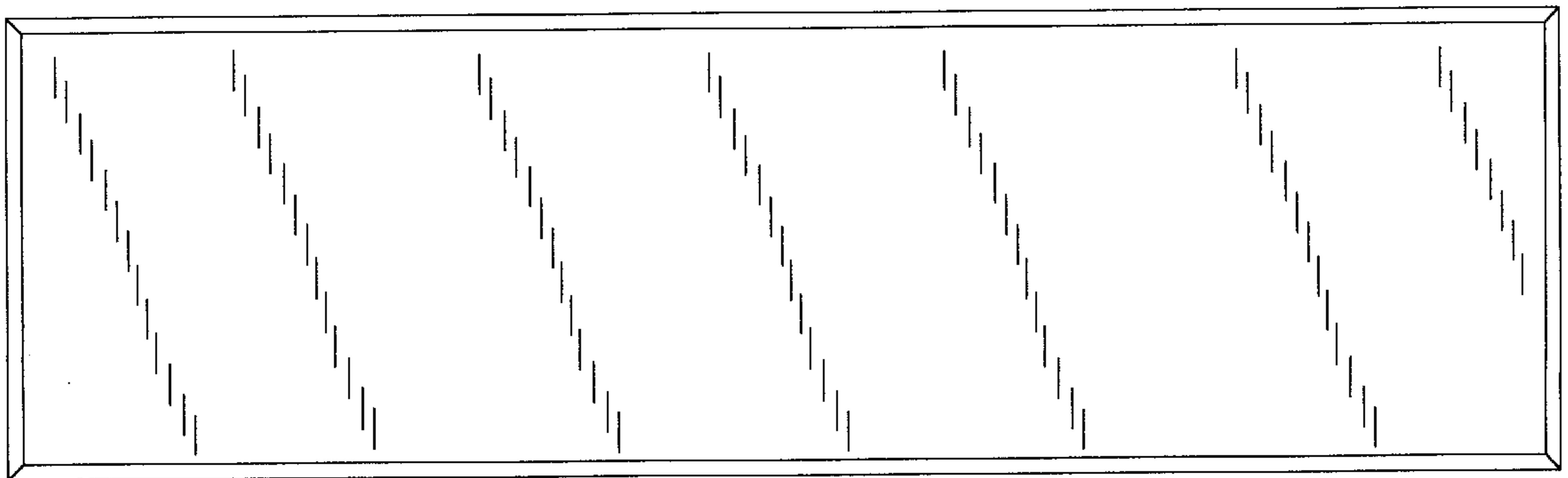


FIG. 4