



US00D420522S

United States Patent [19]
Rhienen

[11] **Patent Number: Des. 420,522**

[45] **Date of Patent: ** Feb. 15, 2000**

[54] **STACKABLE CHAIR**

[75] Inventor: **Alphons van Rhienen**, Schoten,
Belgium

[73] Assignee: **Euro United Corporation**, Oakville,
Canada

[**] Term: **14 Years**

[21] Appl. No.: **29/104,931**

[22] Filed: **May 13, 1999**

Related U.S. Application Data

[62] Division of application No. 29/086,751, Apr. 20, 1998.

[51] **LOC (7) Cl.** **06-01**

[52] **U.S. Cl.** **D6/370; D6/379**

[58] **Field of Search** D6/334, 369, 370,
D6/374, 375, 376, 379, 380, 500, 501,
502; 297/239, 445.1, 446.1, DIG. 2

[56] **References Cited**

U.S. PATENT DOCUMENTS

D. 303,736 10/1989 Grosfillex D6/379
D. 329,339 9/1992 Grosfillex D6/370

D. 331,324 12/1992 Grosfillex D6/375
D. 338,347 8/1993 Hubert D6/370
D. 341,727 11/1993 Grosfillex D6/370
D. 361,902 9/1995 Vanskiver D6/370
D. 364,748 12/1995 Morin D6/370
D. 373,255 9/1996 Gresens D6/379
D. 373,473 9/1996 Grosfillex D6/370
D. 373,481 9/1996 Grosfillex D6/370
D. 376,269 12/1996 Grosfillex D6/370
5,044,691 9/1991 Guichon D6/370

Primary Examiner—Gary D. Watson
Attorney, Agent, or Firm—Barrigar & Moss

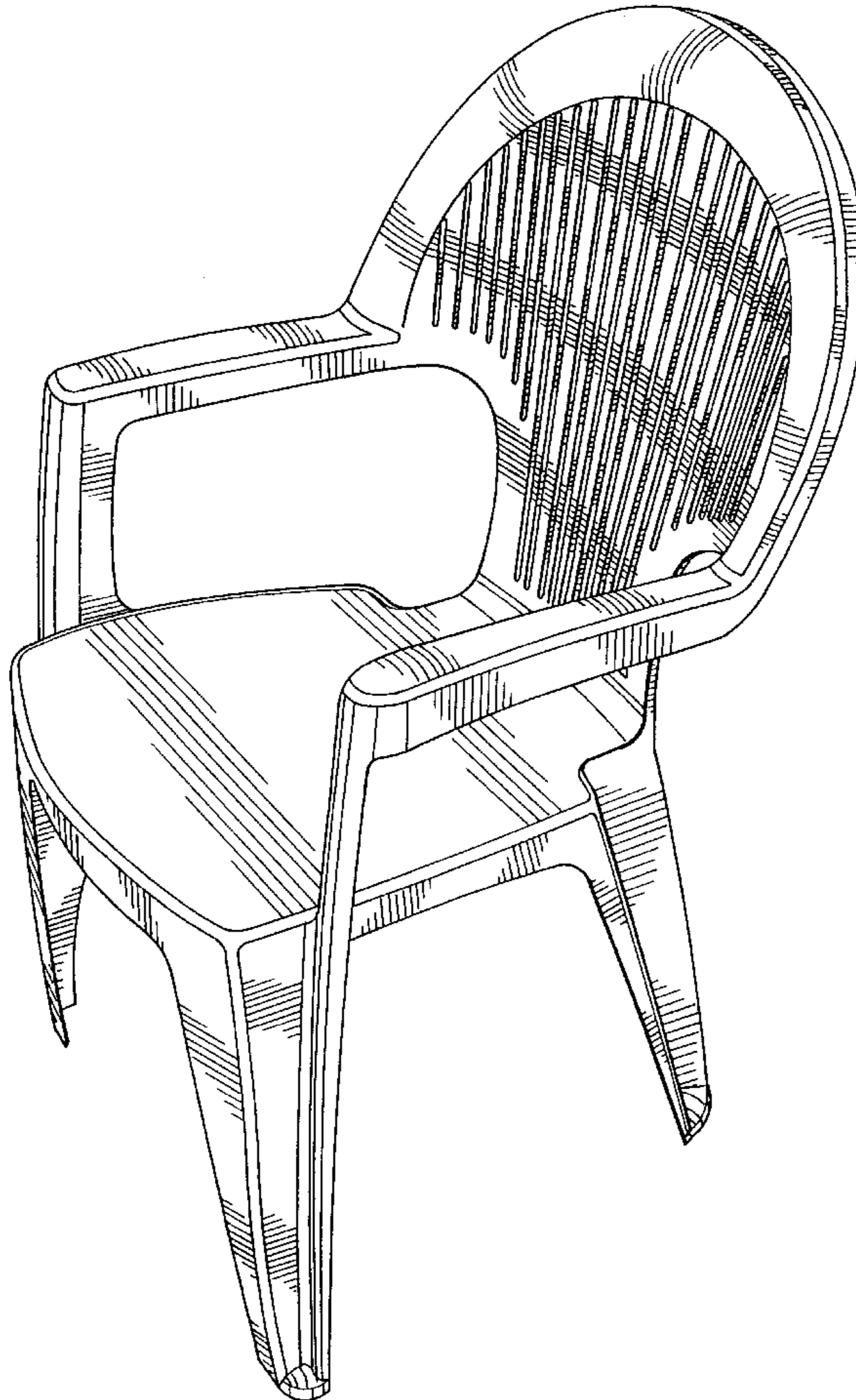
[57] **CLAIM**

The ornamental design for a stackable chair, as shown and described.

DESCRIPTION

FIG. 1 is a perspective view of the design, said view being taken from above and from the right side;
FIG. 2 is a left side of the design;
FIG. 3 is a front view of the design;
FIG. 4 is a top view of the design; and,
FIG. 5 is a rear view of the design.
FIGS. 2 through 5 have been shown on a reduced scale with respect to FIG. 1.

1 Claim, 3 Drawing Sheets



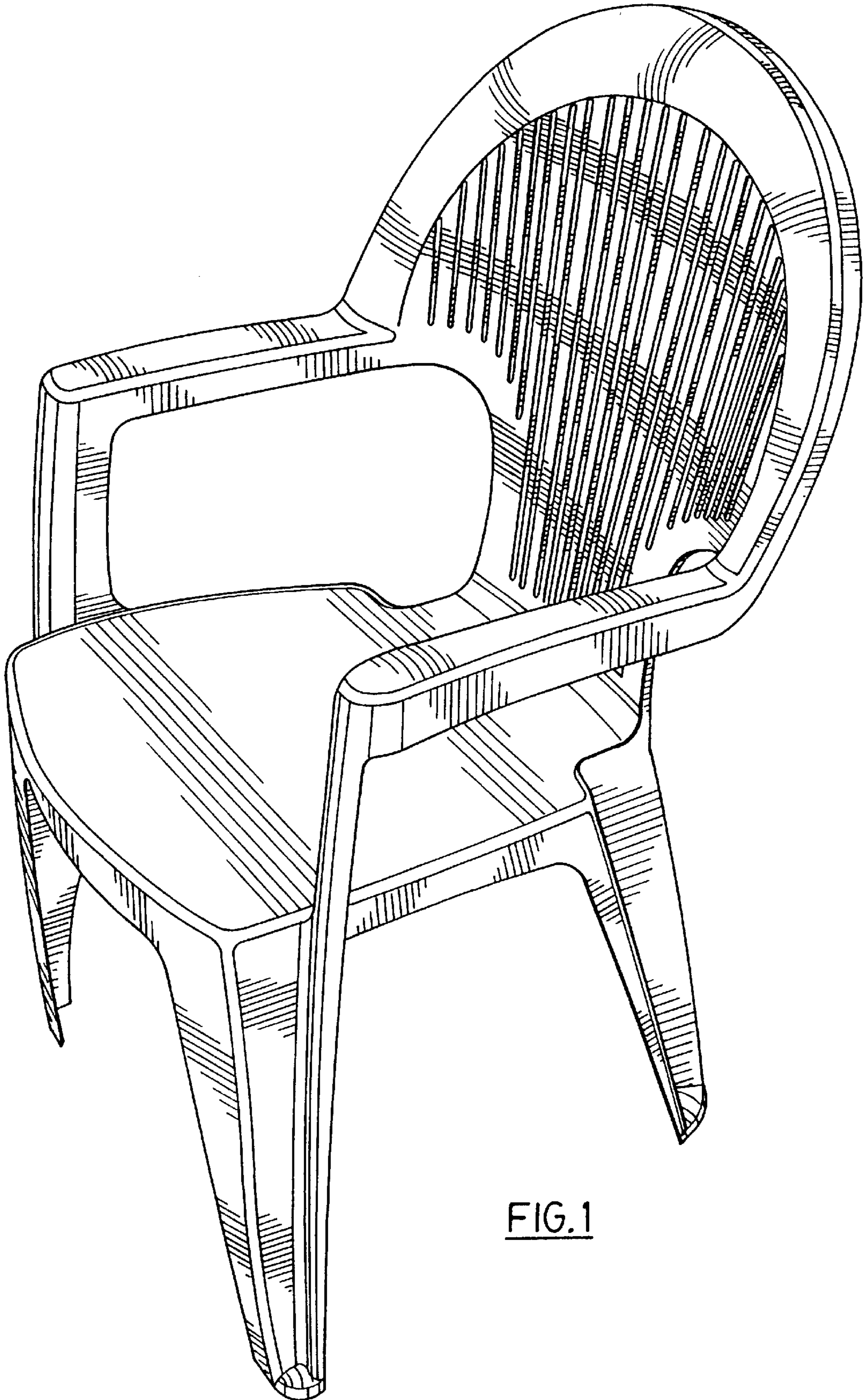


FIG. 1

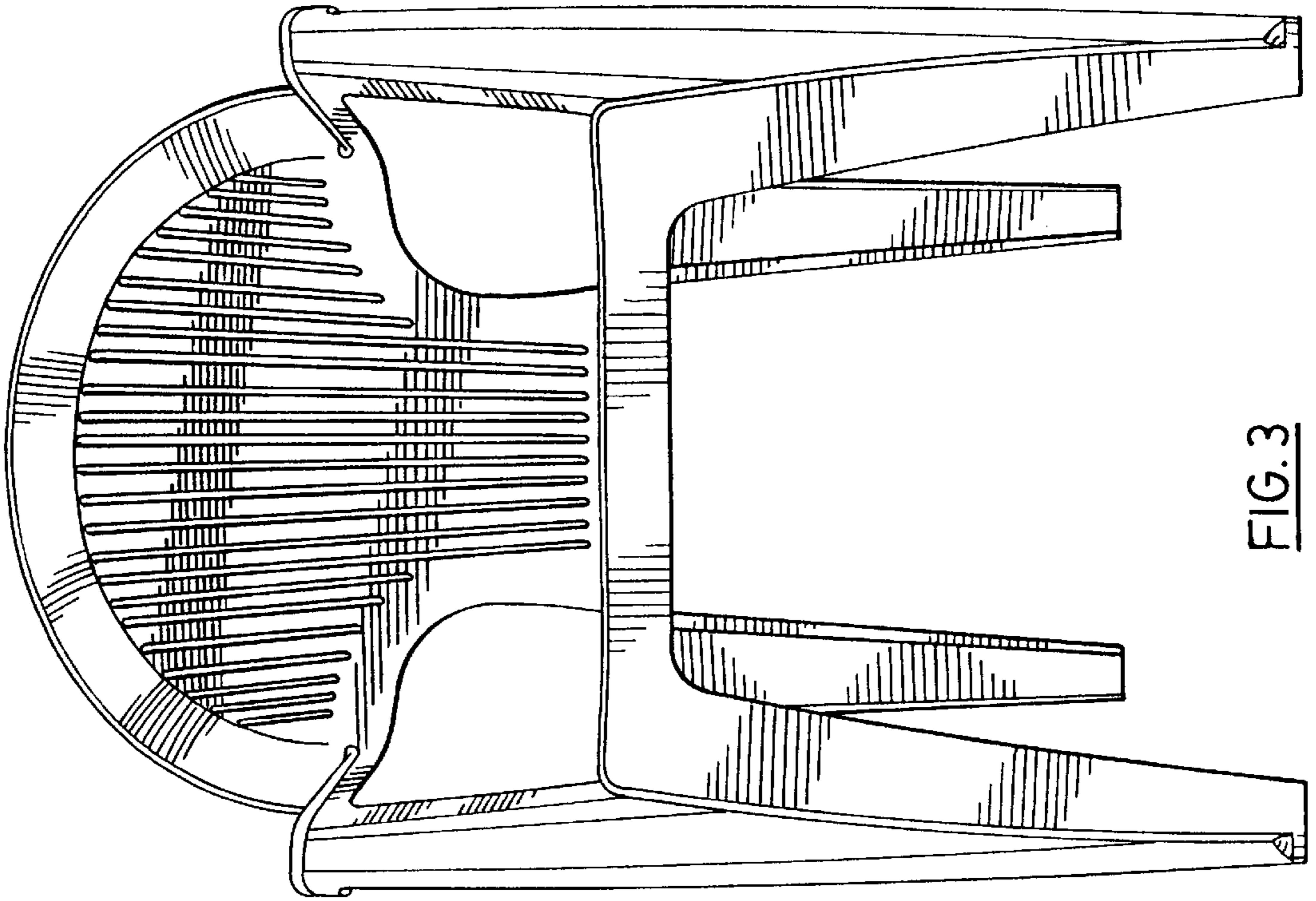


FIG. 3

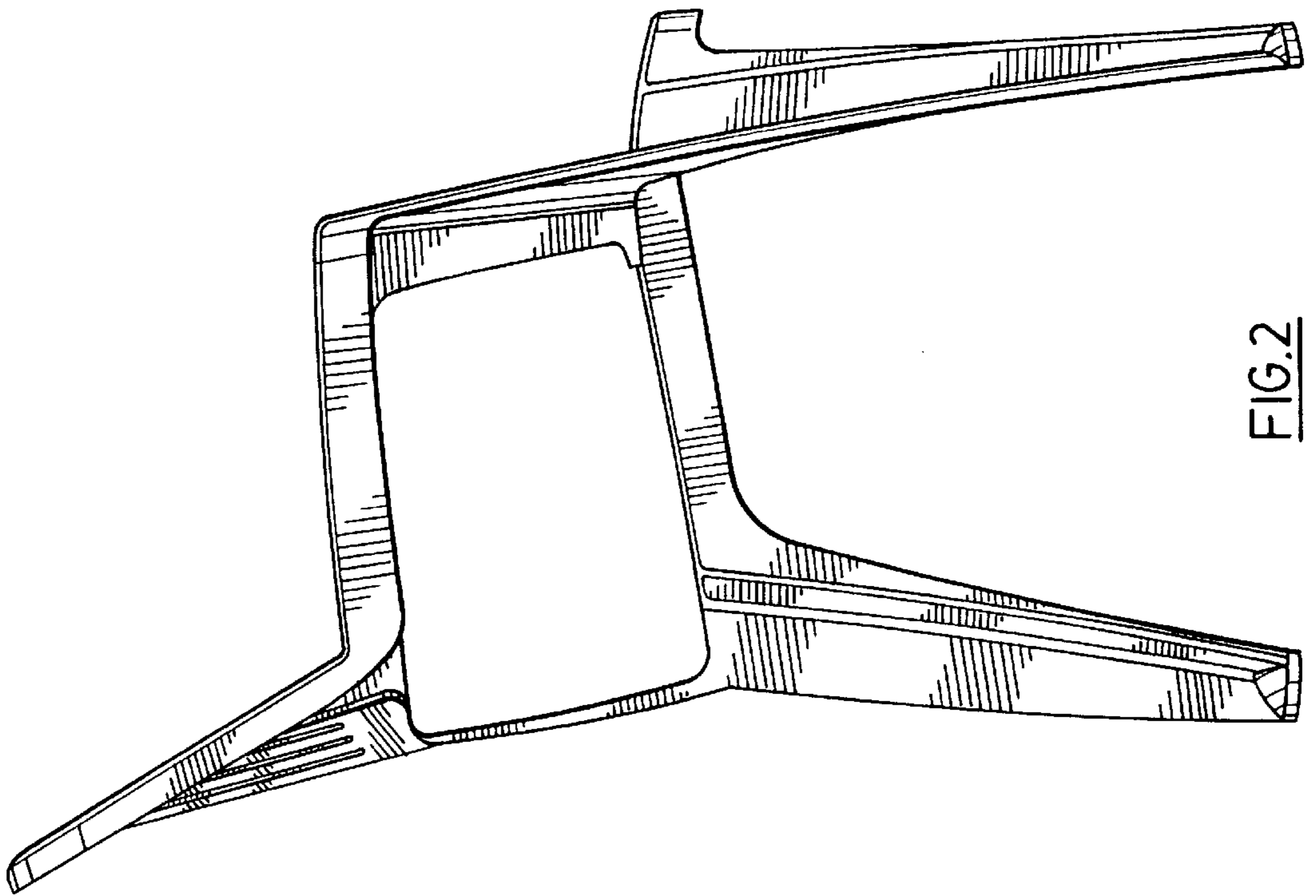


FIG. 2

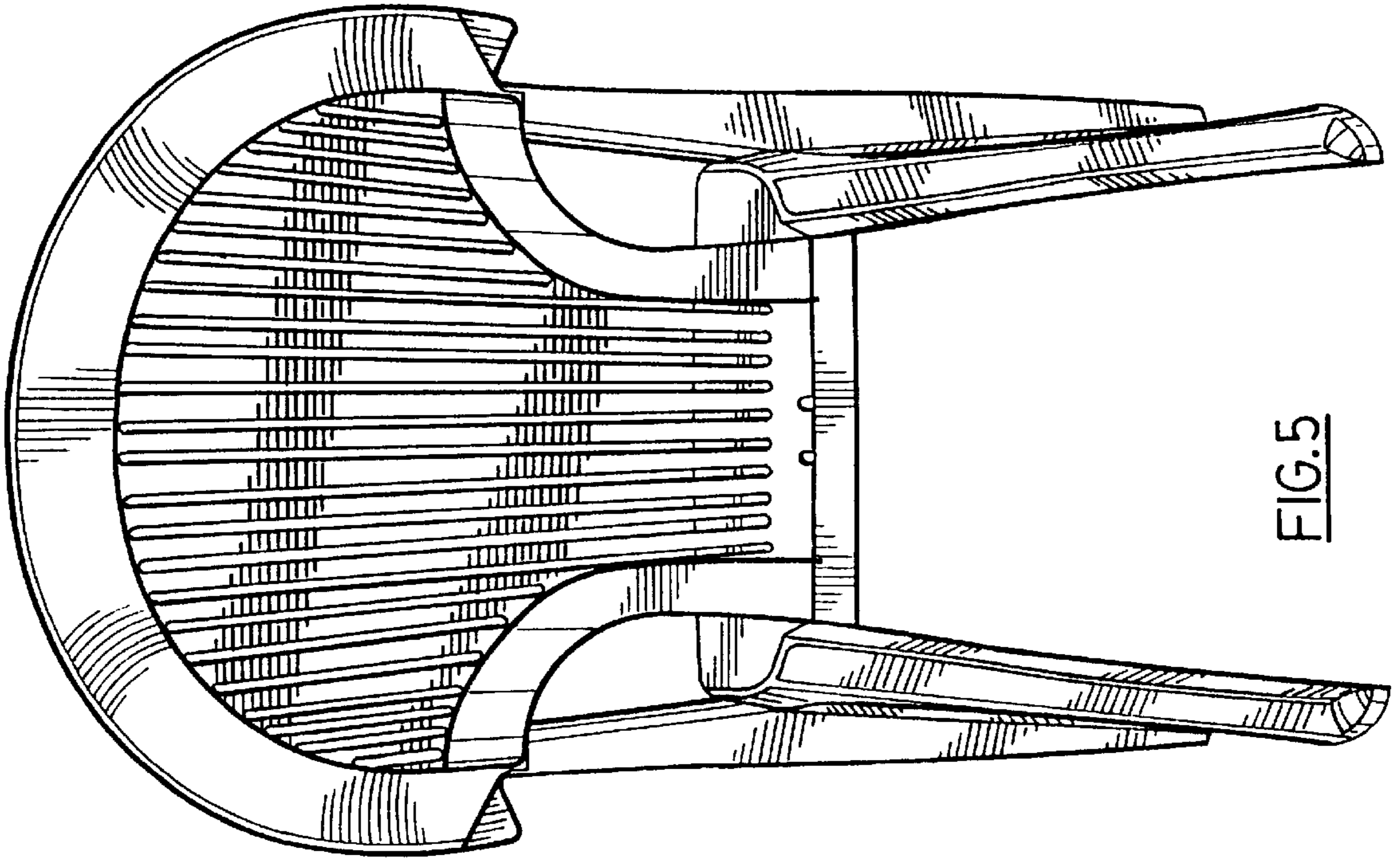


FIG. 5

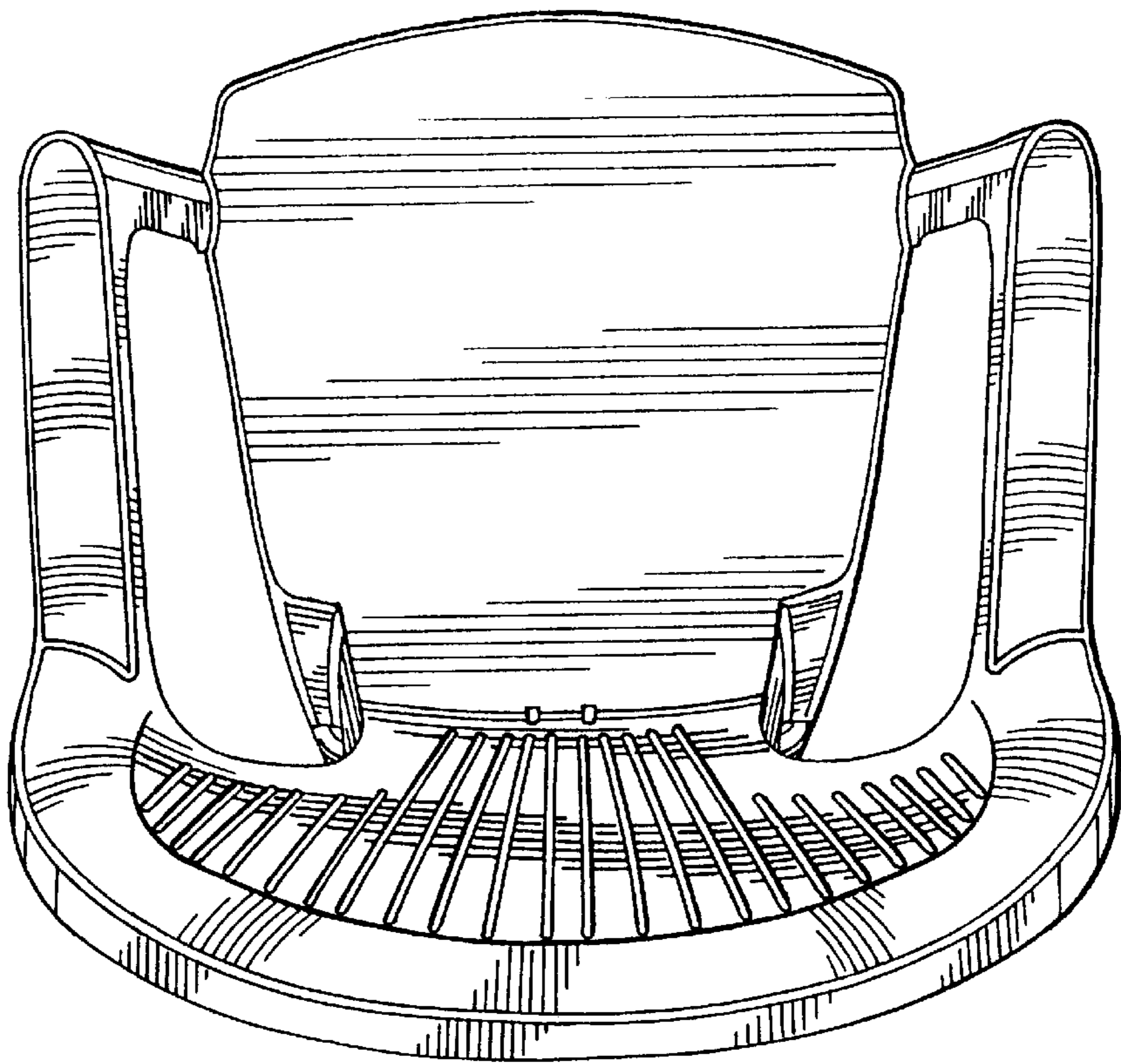


FIG. 4