



US00D420521S

United States Patent [19]
Shilling et al.

[11] **Patent Number: Des. 420,521**
[45] **Date of Patent: ** Feb. 15, 2000**

[54] **DESIGN FOR A TABLE**

[75] Inventors: **Jerry L. Shilling**, Syracuse; **Michael R. Shilling**, Pierceton; **David A. Reichard**, Warsaw, all of Ind.

[73] Assignee: **Wabash Valley Manufacturing, Inc.**, Silver Lake, Ind.

[*] Notice: This patent is subject to a terminal disclaimer.

[**] Term: **14 Years**

[21] Appl. No.: **29/092,711**

[22] Filed: **Aug. 25, 1998**

[51] **LOC (7) Cl.** **06-01**

[52] **U.S. Cl.** **D6/337**

[58] **Field of Search** D6/334, 337, 369, D6/370, 500, 501, 502; 297/157.1, 158.3

[56] **References Cited**

U.S. PATENT DOCUMENTS

- D. 165,710 1/1952 Currie et al. .
- D. 190,744 6/1961 Guice 297/158.3
- D. 222,806 1/1972 Wise .
- D. 228,162 8/1973 Fink .
- D. 231,963 7/1974 May .
- D. 277,442 2/1985 Crowell .
- D. 327,778 7/1992 Crawford D6/337
- D. 357,590 4/1995 Noll D6/337
- D. 368,807 4/1996 Noll D6/337
- 3,758,152 9/1973 Lake .
- 3,847,424 11/1974 Nielsen .

- 3,910,631 10/1975 Inaba .
- 4,023,859 5/1977 Hagenson .
- 4,522,443 6/1985 Van Blankenburg .
- 5,452,936 9/1995 Koehring .

OTHER PUBLICATIONS

1998 "Plastisol" Coated Furniture Catalog, Wabash Valley Mfg., Inc.
 Vinyl Coated Steel Recreational Furniture 1998 Catalog, Diversified Metal Fabricators, Inc.
 Superior Line Outdoor/Indoor Furniture 1996 Catalog, Fusion Coatings, Inc.
 Specializing in Vinyl Coated Steel Recreational Furniture Catalog, Diversified Metal Fabricators, Inc., 12th Edition, Jan., 1996.
 Recreation Catalog, Ken Coat, Inc., Dec. 1, 1995.

Primary Examiner—Doris V. Coles
Assistant Examiner—Mimosa De
Attorney, Agent, or Firm—Bose McKinney & Evans

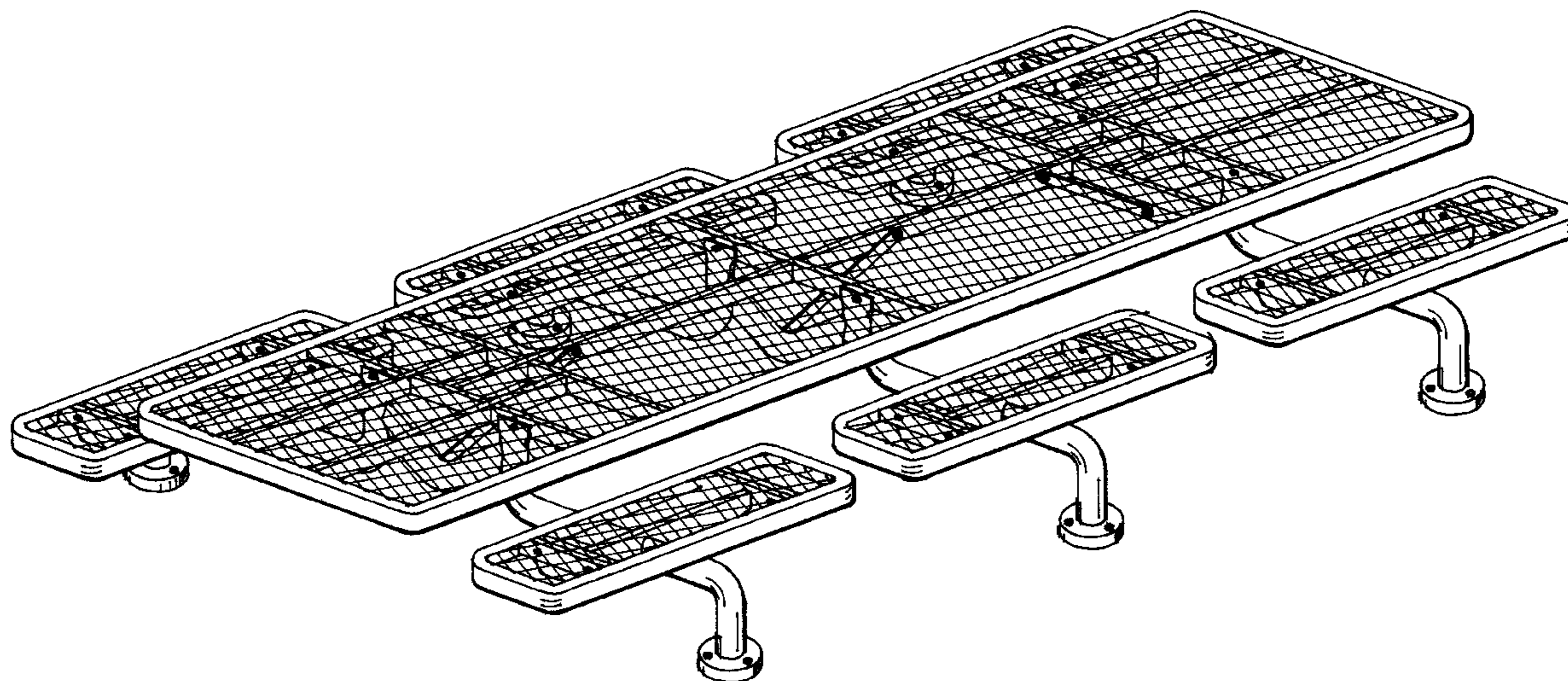
[57] **CLAIM**

The ornamental design for a table, as shown and described.

DESCRIPTION

FIG. 1 is a perspective view of a table, showing our new design.
 FIG. 2 is a top view thereof showing the table;
 FIG. 3 is a front view thereof;
 FIG. 4 is a bottom view thereof;
 FIG. 5 is a right side elevational view thereof;
 FIG. 6 is a rear elevational view thereof; and,
 FIG. 7 is a left elevational view thereof.

1 Claim, 5 Drawing Sheets



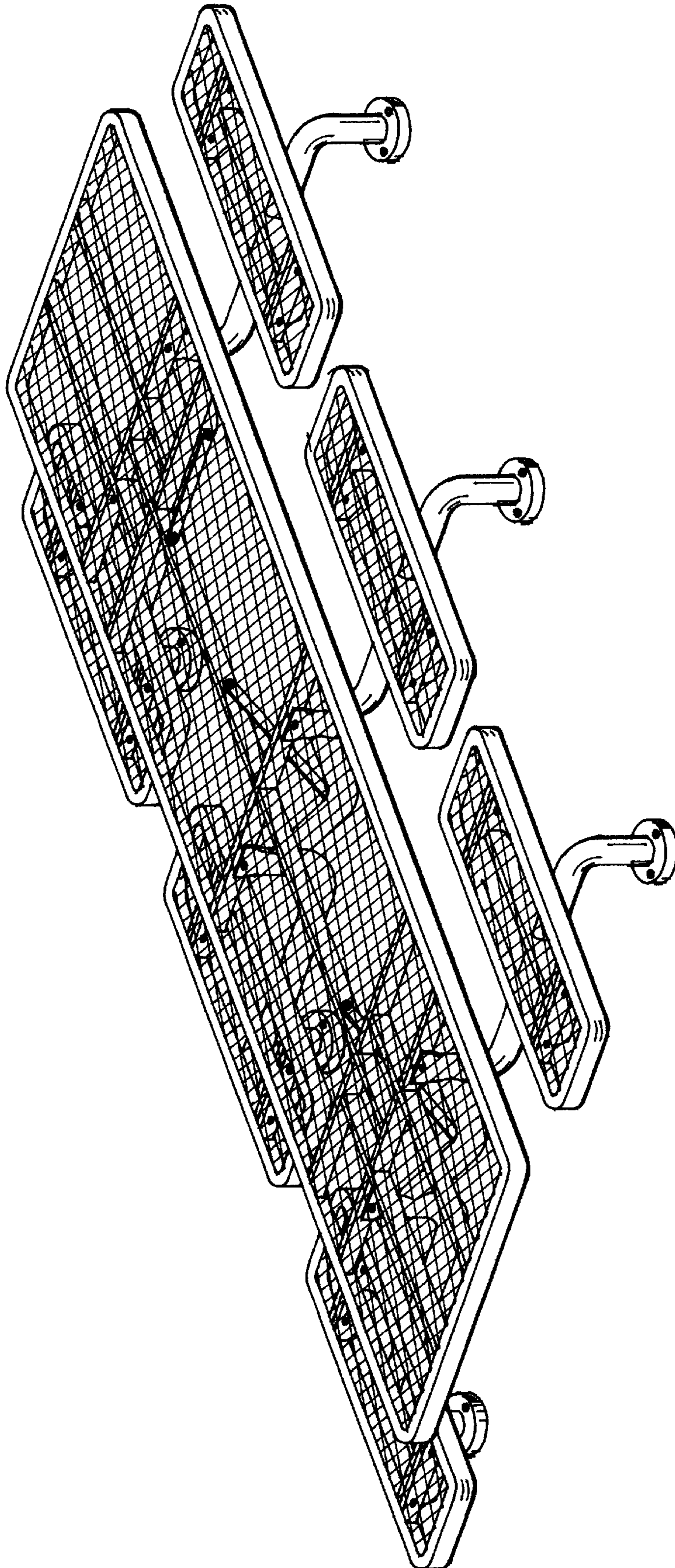


FIG. 1

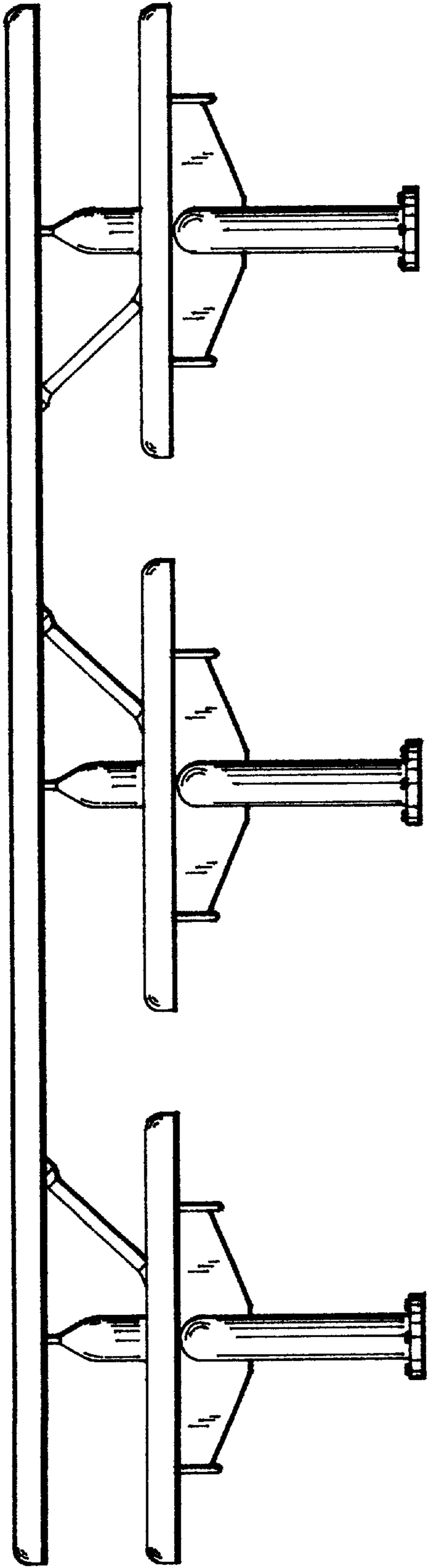


FIG. 2

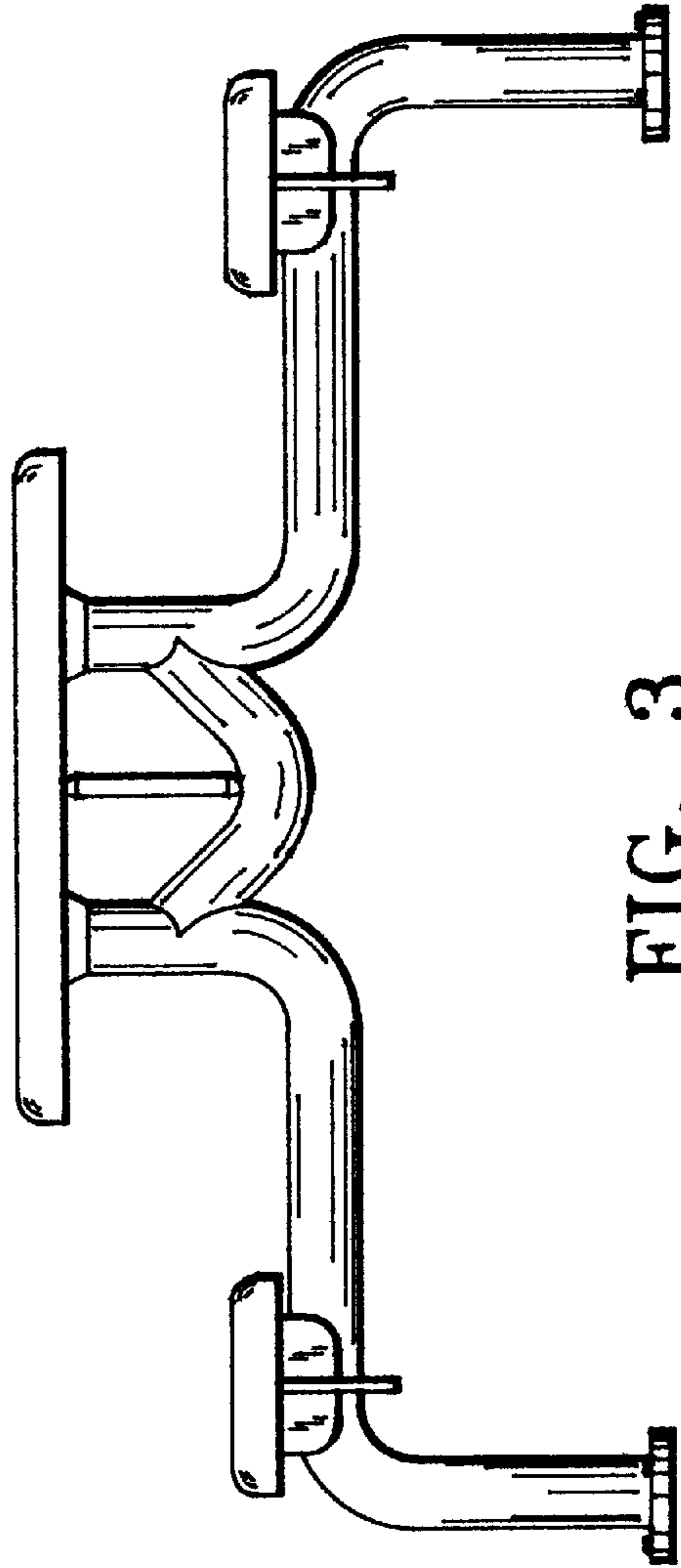


FIG. 3

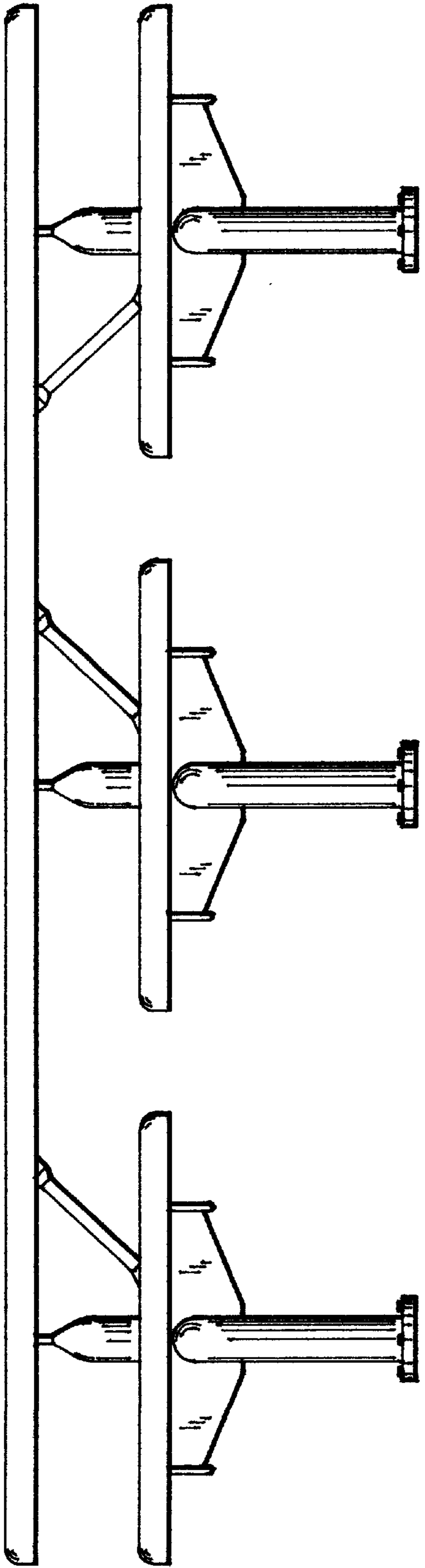


FIG. 4

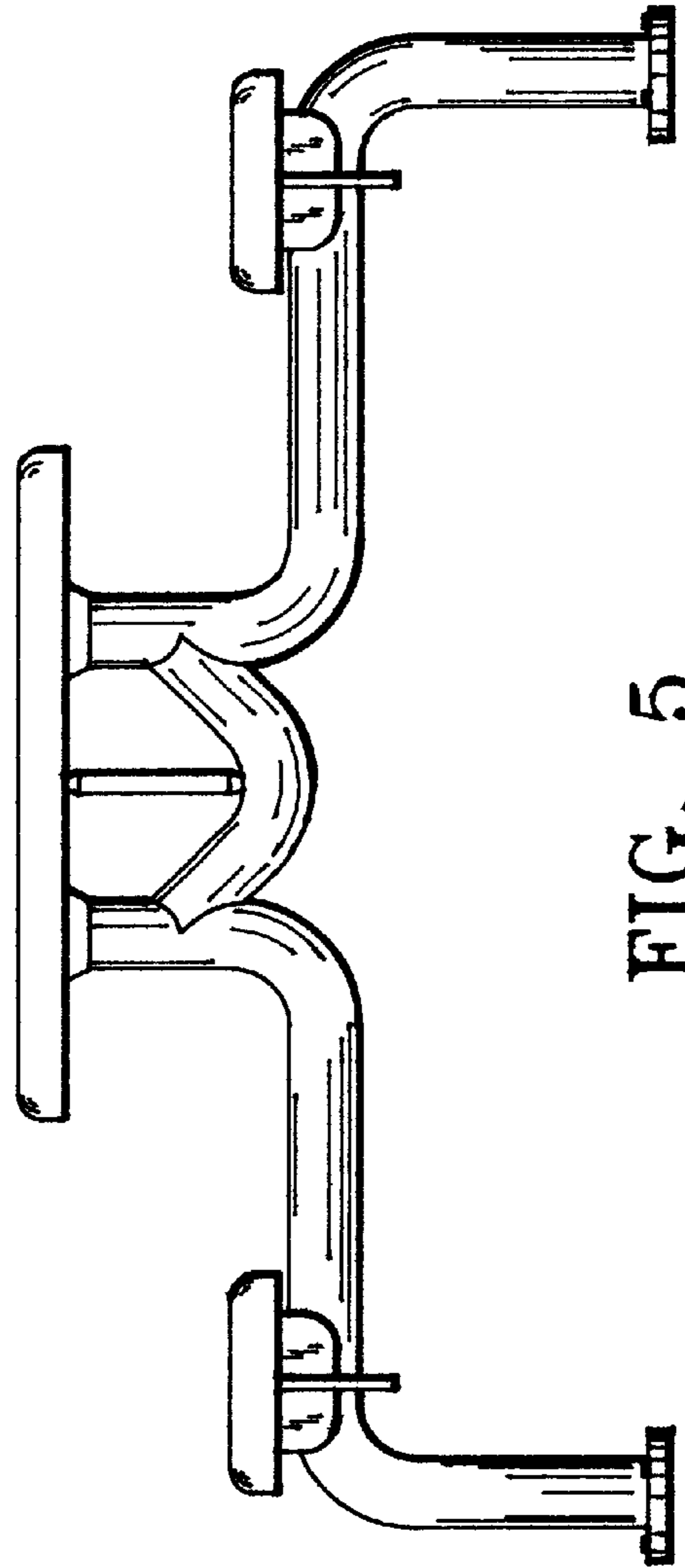


FIG. 5

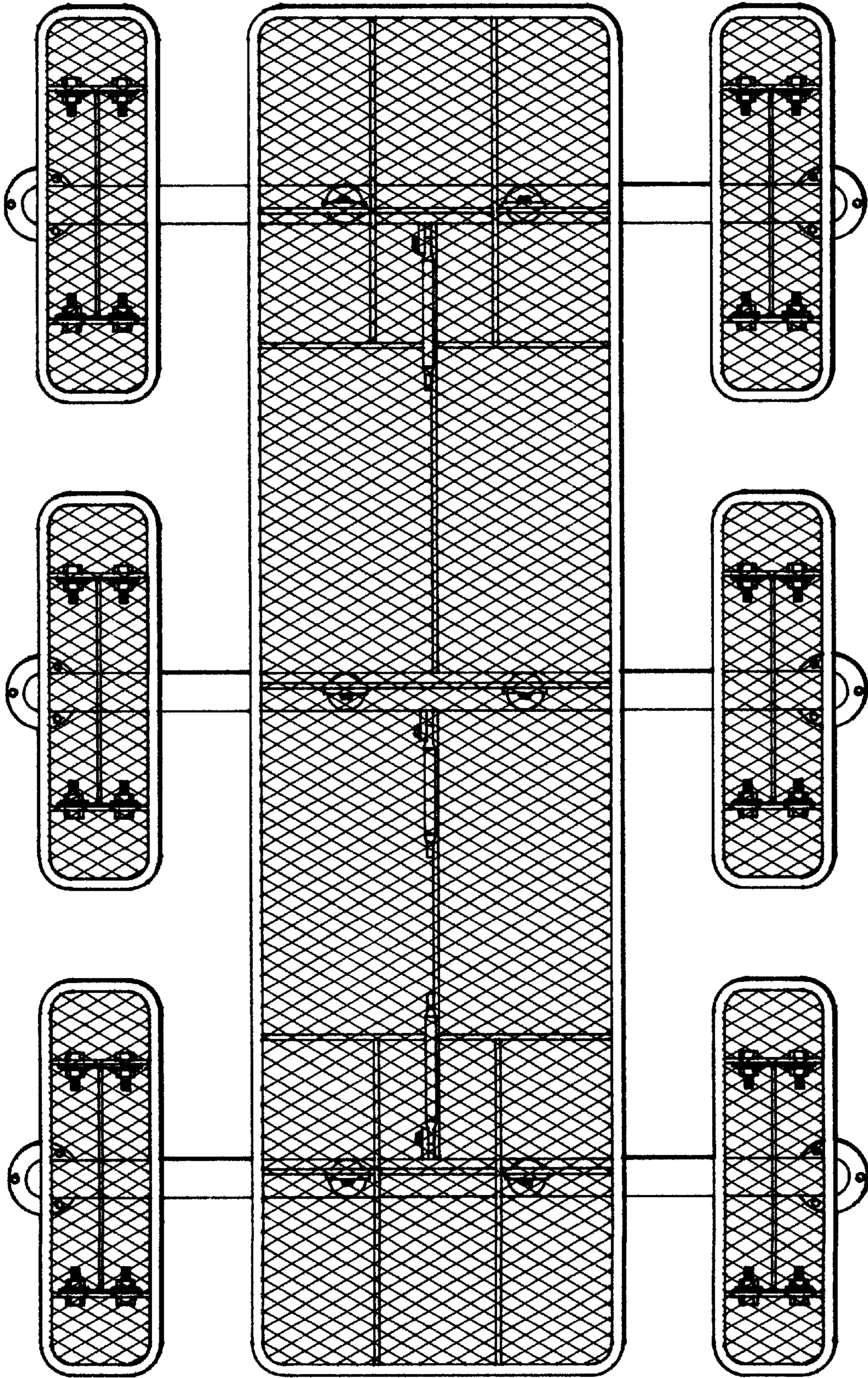


FIG. 6

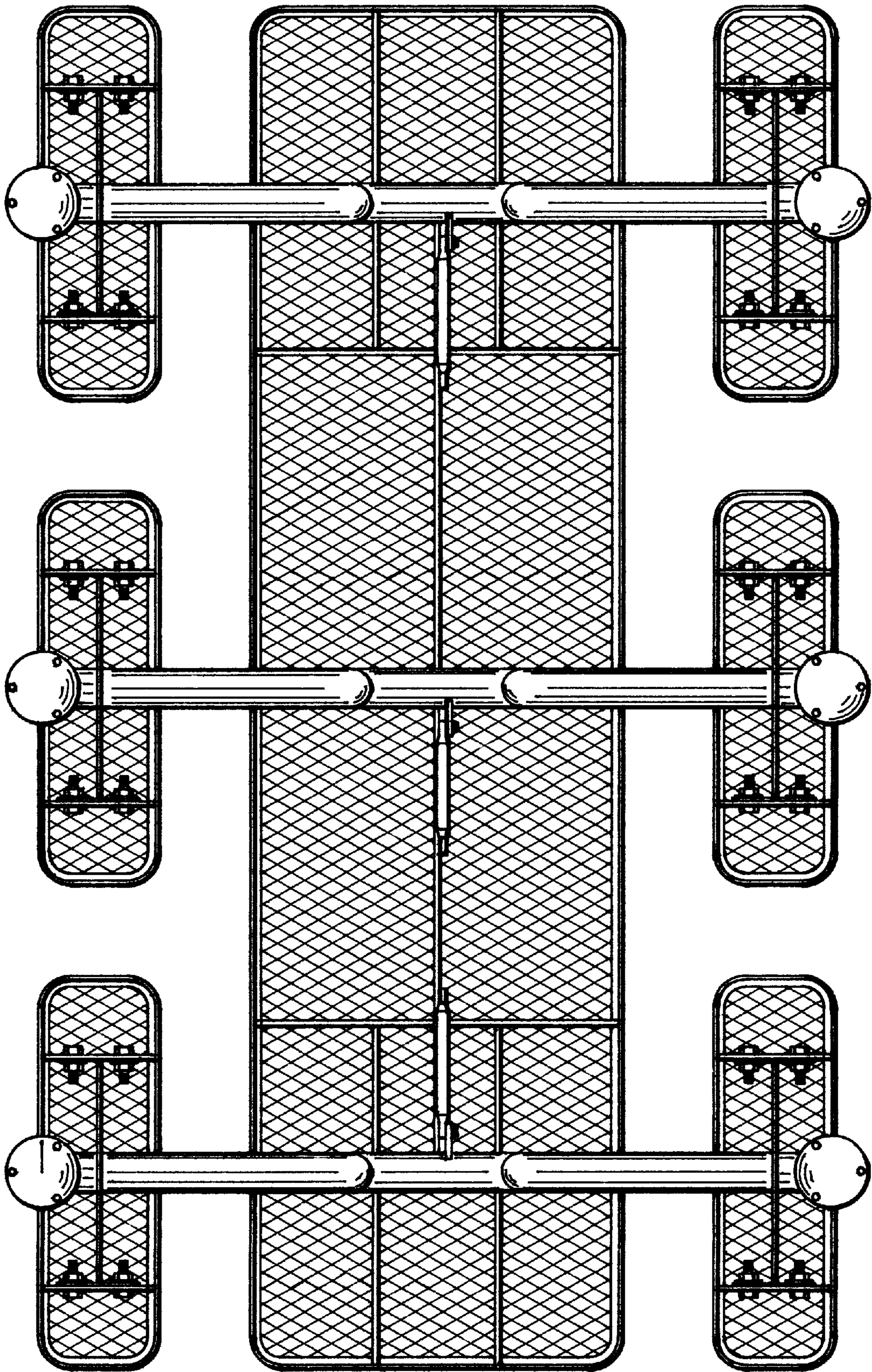


FIG. 7