



US00D420516S

United States Patent [19]

Schoeneweis et al.

[11] Patent Number: **Des. 420,516**

[45] Date of Patent: **** Feb. 15, 2000**

[54] **POWDER DISPENSING BRUSH**

[76] Inventors: **James H Schoeneweis; Veronica O Schoeneweis**, both of 1805 Quicker Rd., El Cajon, Calif. 92021

[**] Term: **14 Years**

[21] Appl. No.: **29/083,604**

[22] Filed: **Feb. 12, 1998**

[51] **LOC (7) Cl.** **04-02**

[52] **U.S. Cl.** **D4/114; D9/338**

[58] **Field of Search** D4/114, 116, 127, D4/135; D9/338, 549; D28/7-8; 401/123, 124, 126, 127, 129, 156, 183-185, 268, 269, 286, 291, 282

[56] **References Cited**

U.S. PATENT DOCUMENTS

D. 339,285	9/1993	Burke	D9/338 X
D. 346,959	5/1994	Adams	D9/338
1,092,656	4/1914	Lynam	401/269
2,724,849	11/1955	Schultz	401/123
3,167,806	2/1965	Hogan	401/286

4,248,543	2/1981	Carrington et al.	401/183
4,786,199	11/1988	Chen	401/282 X

Primary Examiner—Alan P. Douglas
Assistant Examiner—Lavone D. Tabor

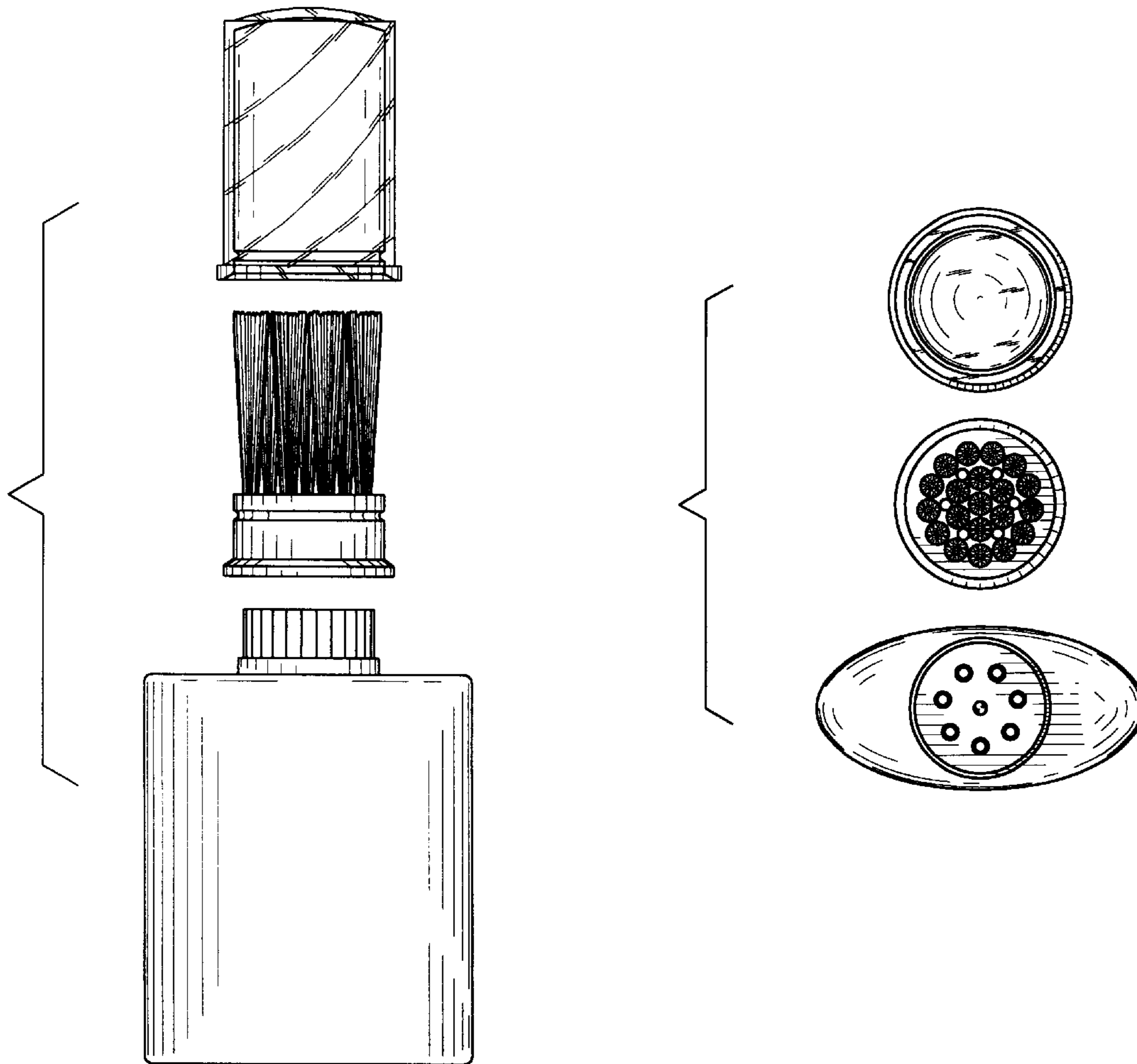
[57] **CLAIM**

The ornamental design for a powder dispensing brush, as shown.

DESCRIPTION

FIG. 1 is an exploded front elevational view of the powder dispensing brush of the present invention;
 FIG. 2 is a back elevational view of the powder dispensing brush of FIG. 1;
 FIG. 3 is a left side elevational view of the powder dispensing brush of FIG. 1;
 FIG. 4 is a right side elevational view of the powder dispensing brush of FIG. 1;
 FIG. 5 is a top plan view of the powder dispensing brush of FIG. 1; and,
 FIG. 6 is a bottom plan view of the powder dispensing brush of FIG. 1.

1 Claim, 4 Drawing Sheets



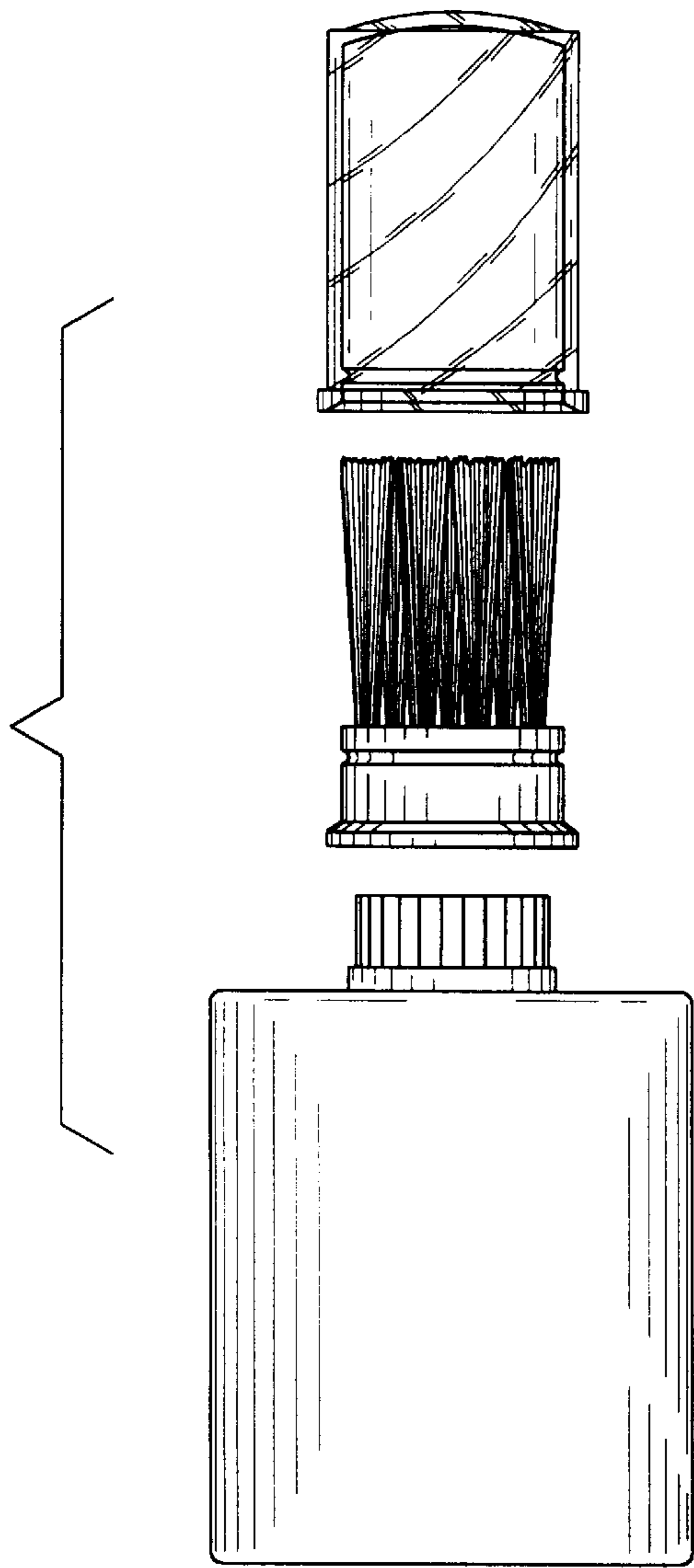


Fig. 1

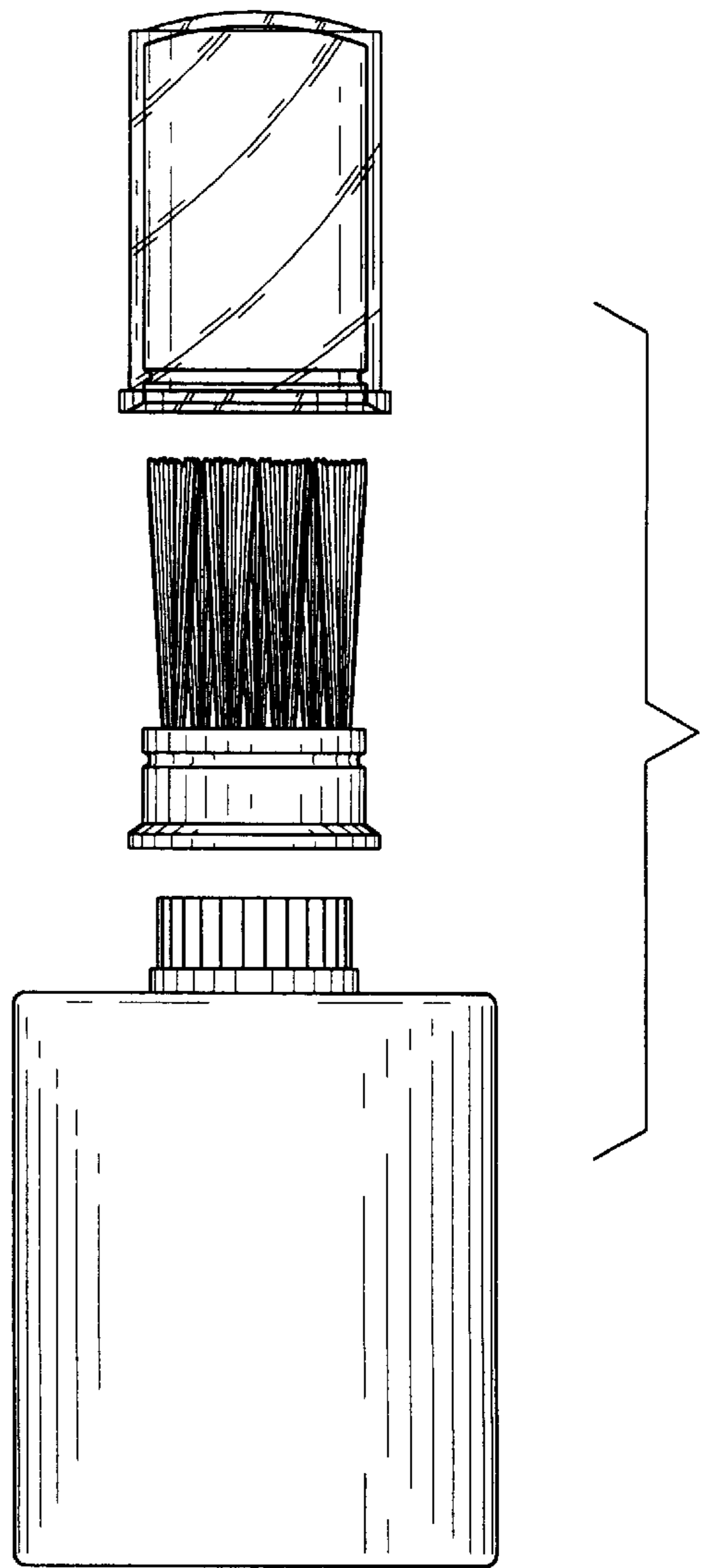


Fig. 2

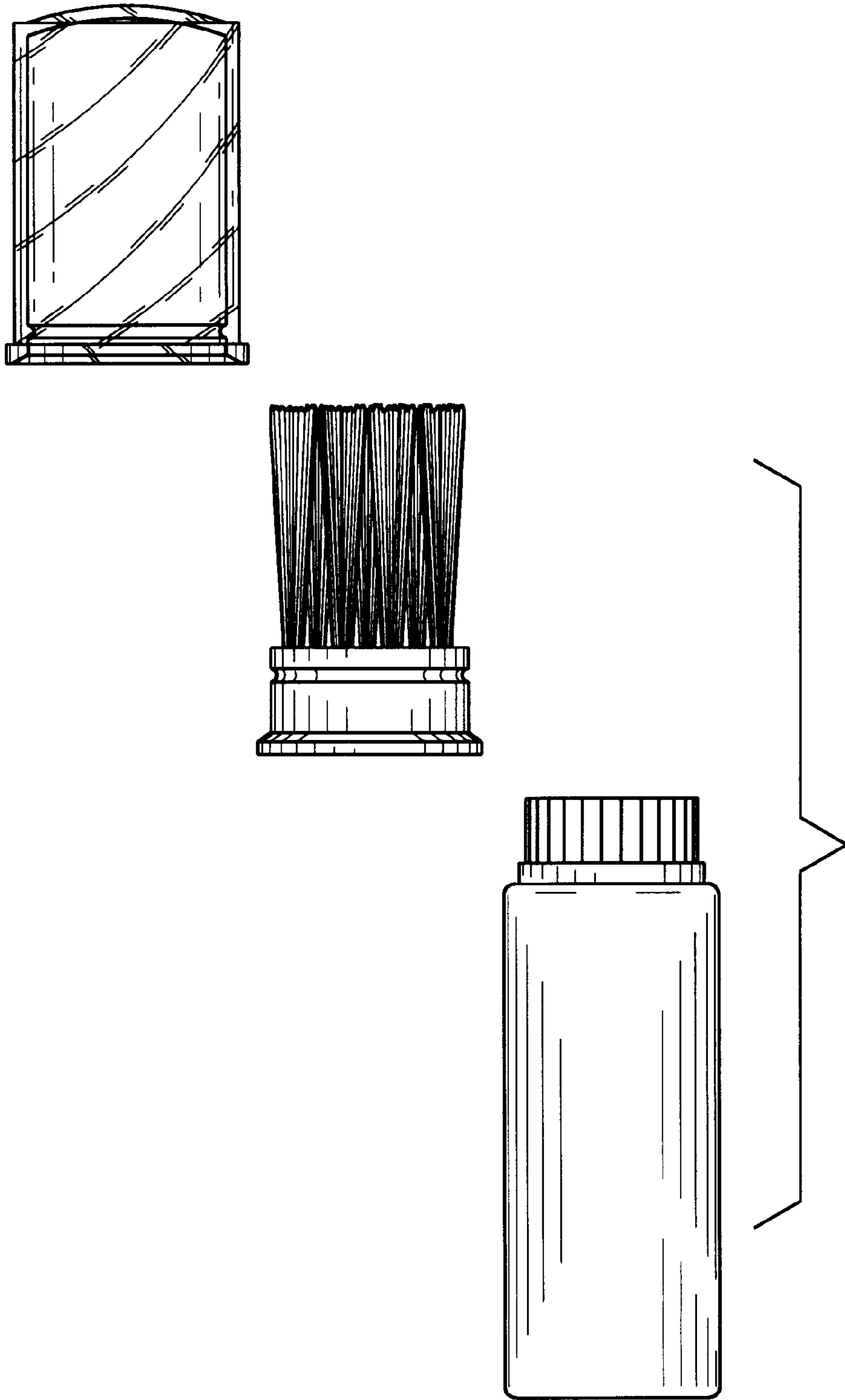


Fig. 3

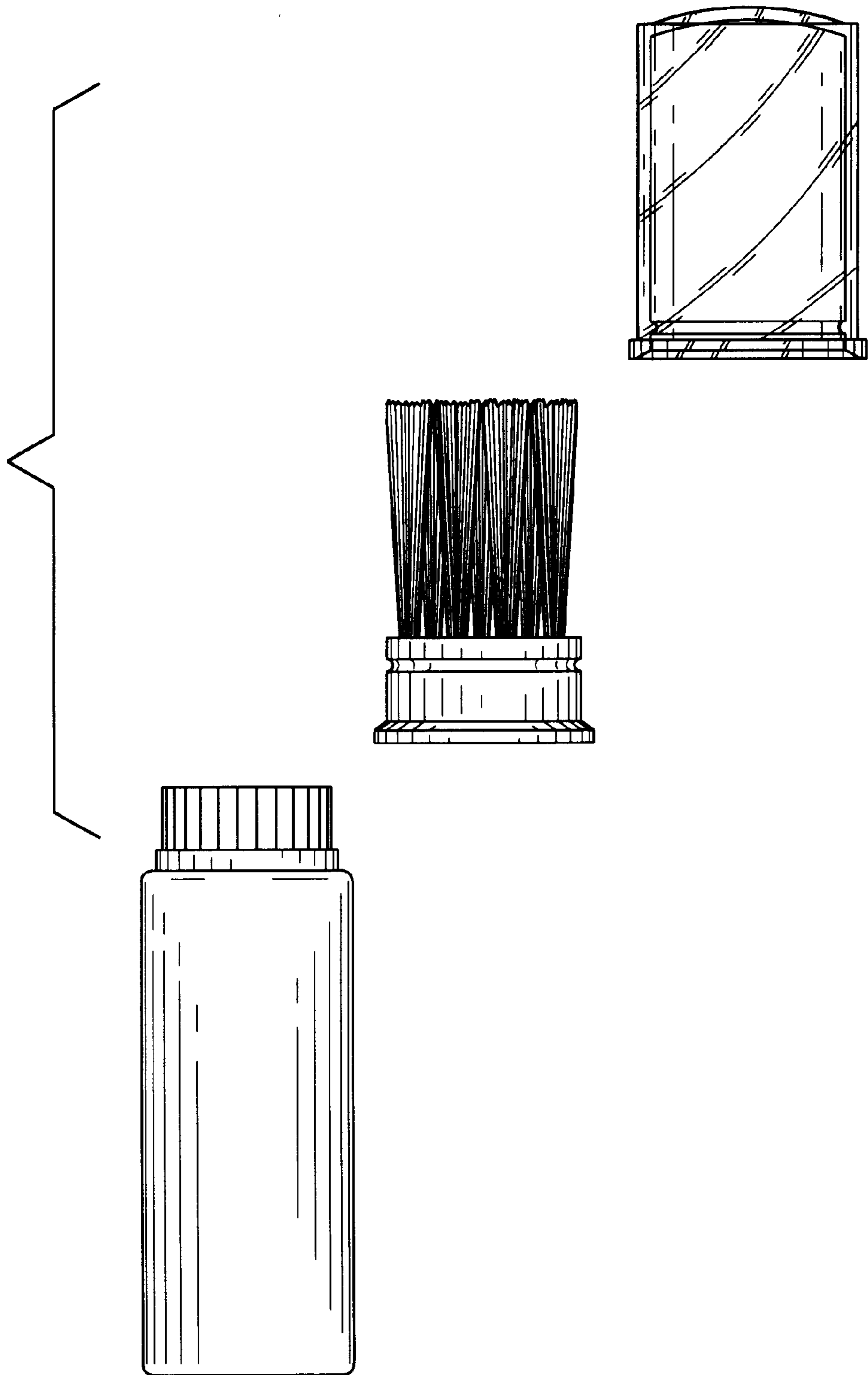


Fig. 4

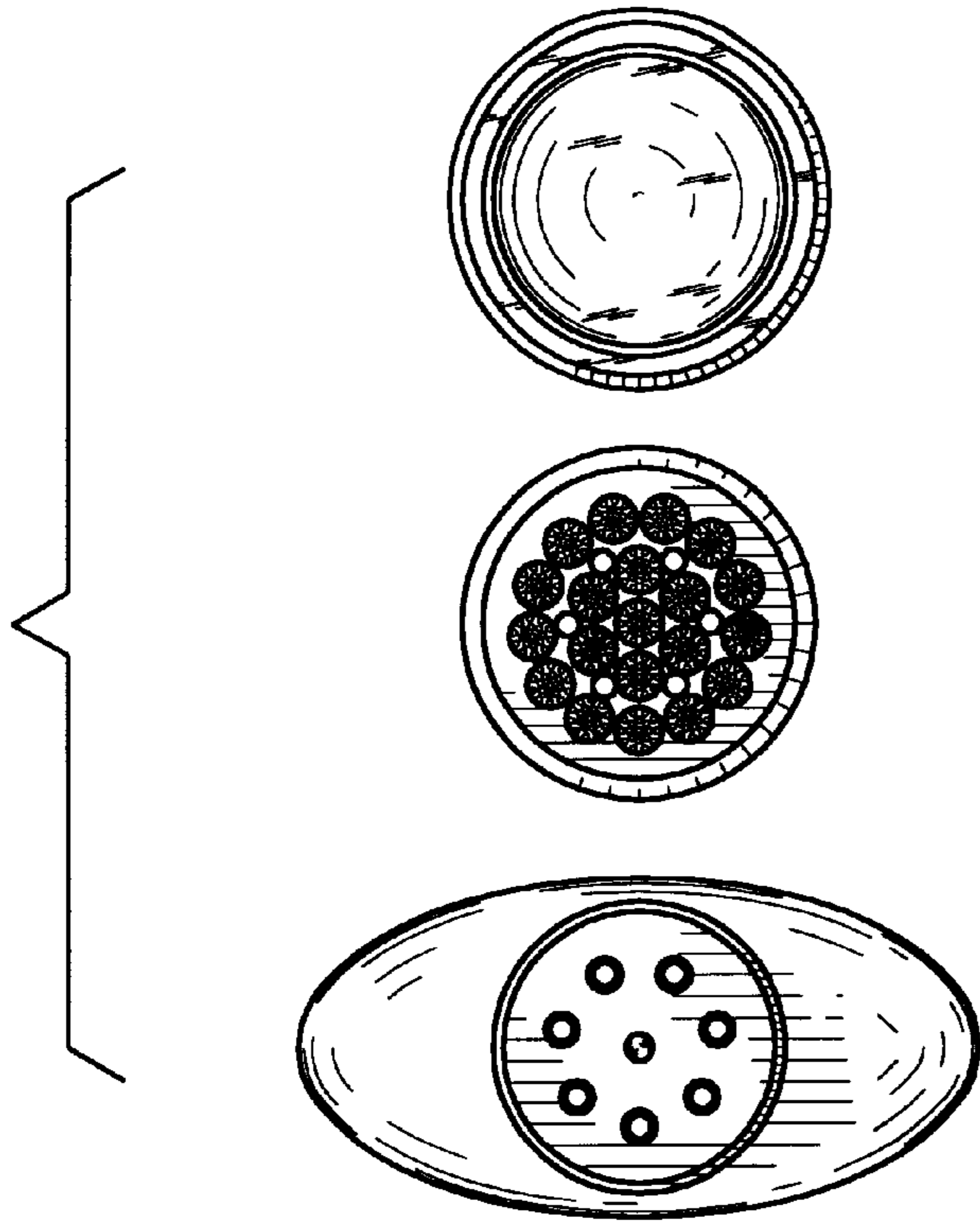


Fig. 5

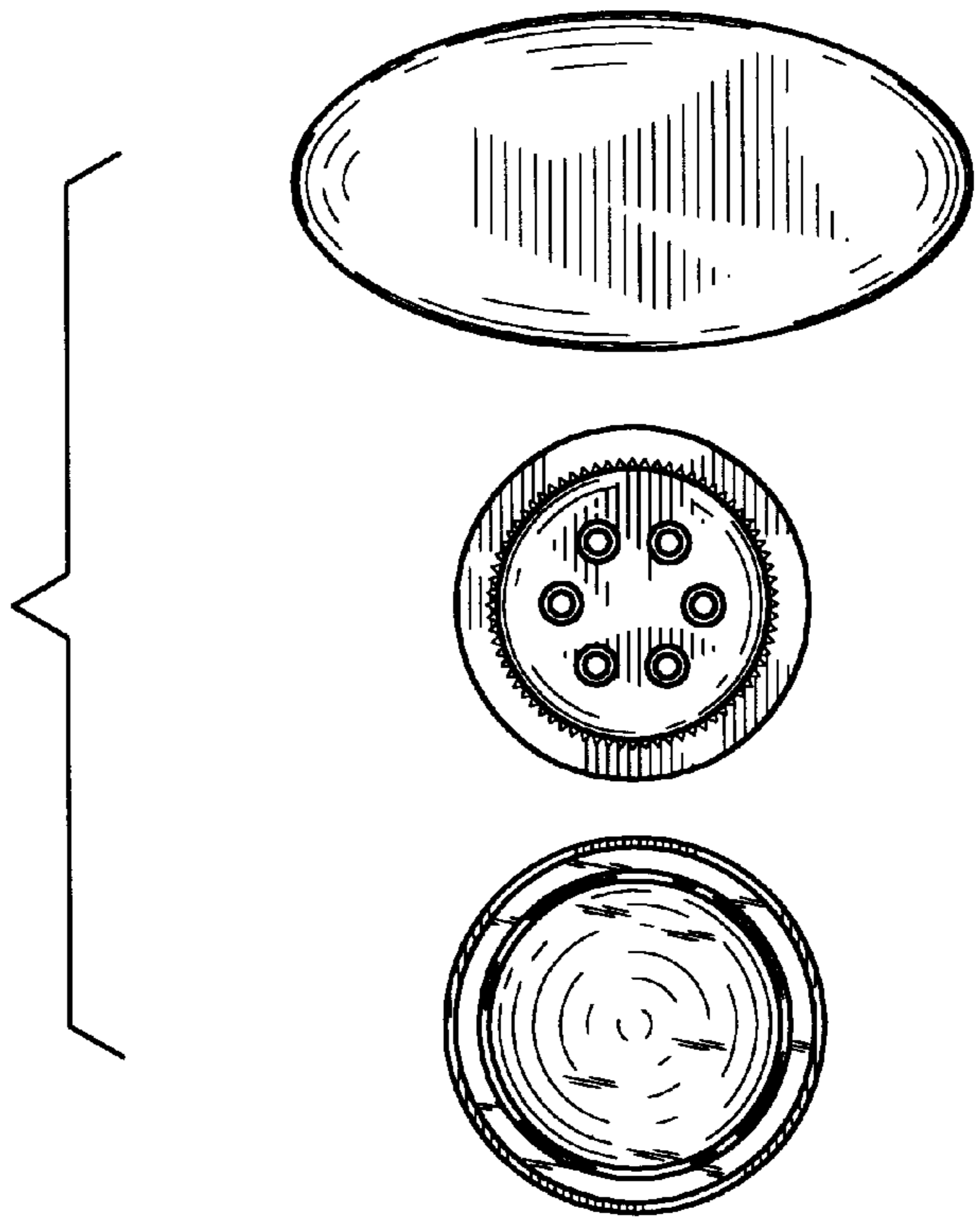


Fig. 6