



US00D420514S

United States Patent [19]

Morlet

[11] **Patent Number: Des. 420,514**

[45] **Date of Patent: ** Feb. 15, 2000**

[54] **CHEST PACK STRAP SYSTEM**

[76] Inventor: **Mark A. Morlet**, 2325 N. Alameda Ave., San Bernadino, Calif. 92404

[**] Term: **14 Years**

[21] Appl. No.: **29/075,680**

[22] Filed: **Aug. 25, 1997**

[51] **LOC (7) Cl.** **03-99**

[52] **U.S. Cl.** **D3/327**

[58] **Field of Search** D3/215, 218, 221, D3/267, 327; 224/250, 266, 606, 623

[56] **References Cited**

U.S. PATENT DOCUMENTS

D. 306,871	3/1990	Bracy	D17/14
D. 364,270	11/1995	Kellerman	D3/215
2,224,568	12/1940	Altorfer	224/209
4,452,383	6/1984	Marttinen	224/208

Primary Examiner—Stella Reid
Assistant Examiner—Robert A. Delehanty

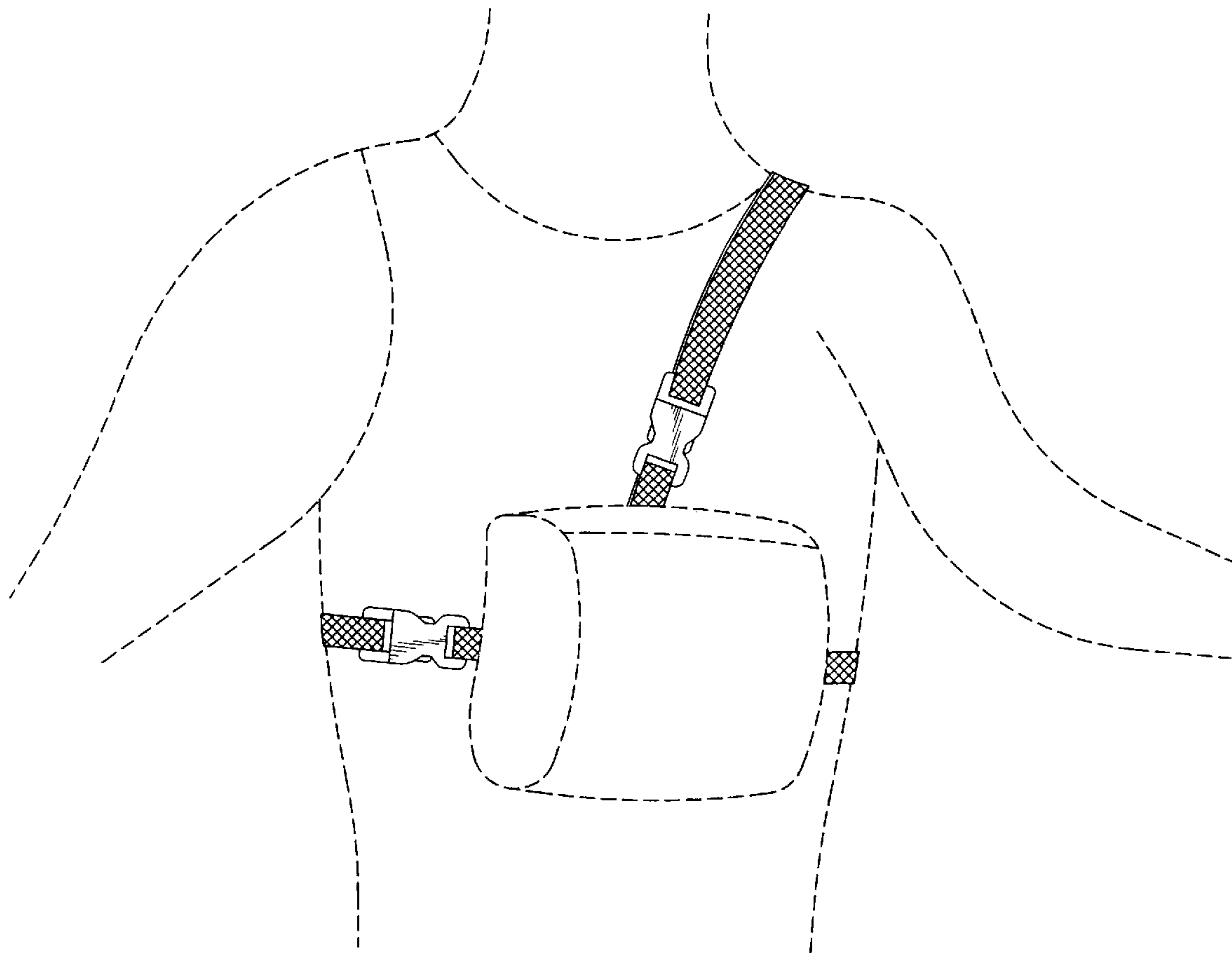
[57] **CLAIM**

I claim the ornamental design for a chest pack strap system, as shown, and described.

DESCRIPTION

FIG. 1 is a front perspective view of a chest pack strap system showing my new design; FIG. 2 is an enlarged front view thereof; FIG. 3 is an enlarged rear view thereof; FIG. 4 is a front view on a reduced scale shown in a condition of use on a person; and, FIG. 5 is a rear view on a reduced scale shown in a condition of use on a person. The broken line showing of environment in FIGS. 1-5 is for illustration purposes only and forms no part of the claimed design.

1 Claim, 5 Drawing Sheets



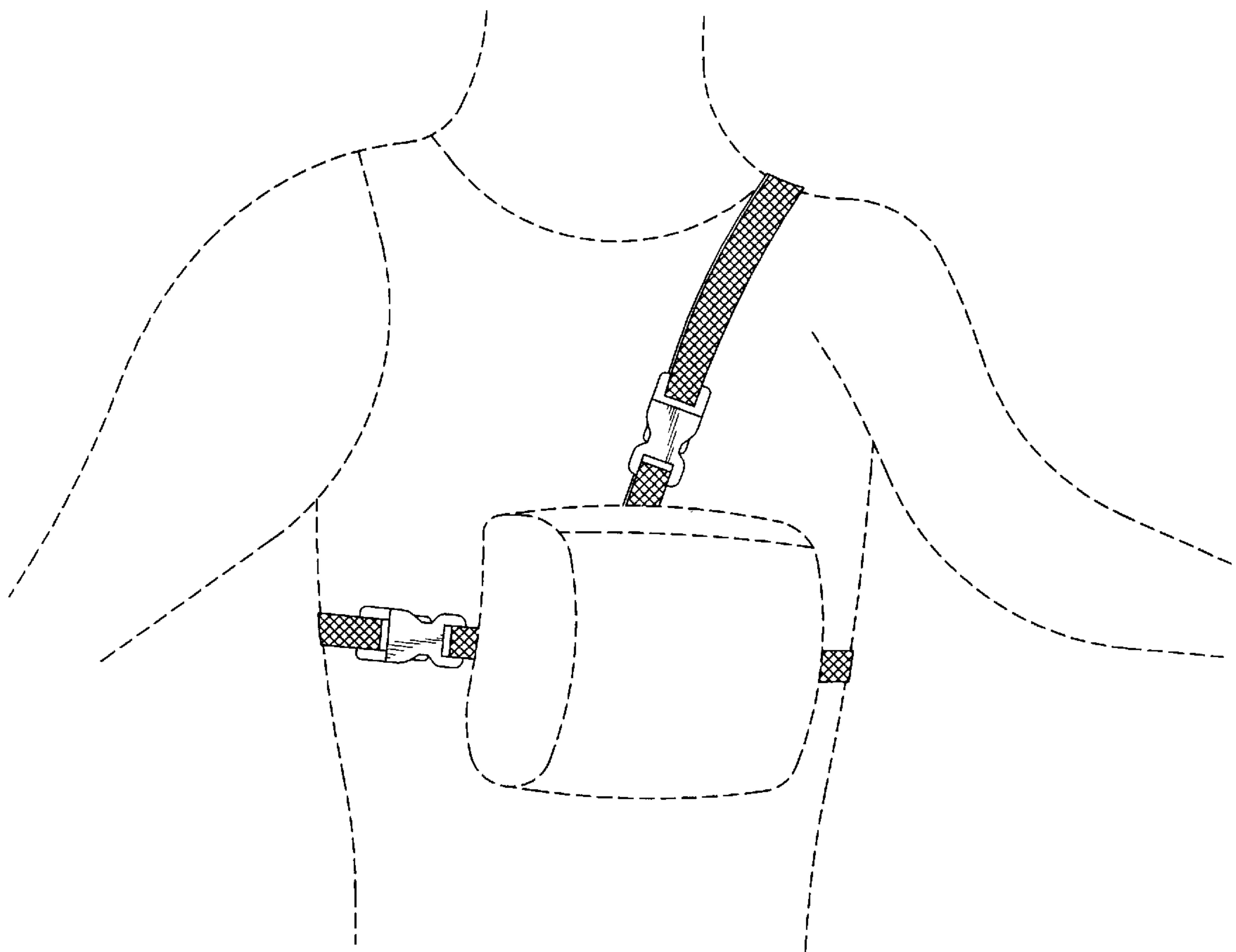


FIG. 1

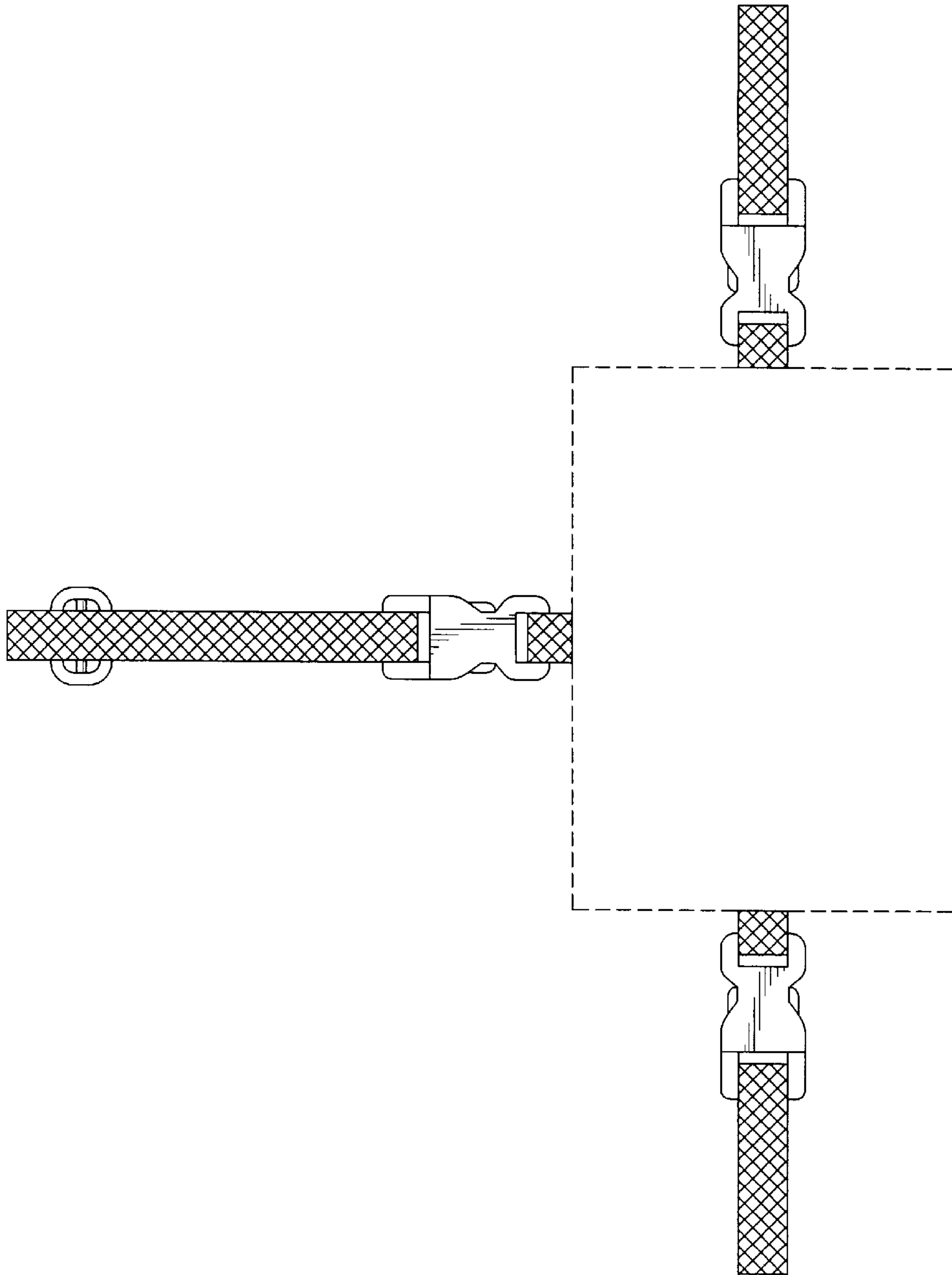


Fig. 2

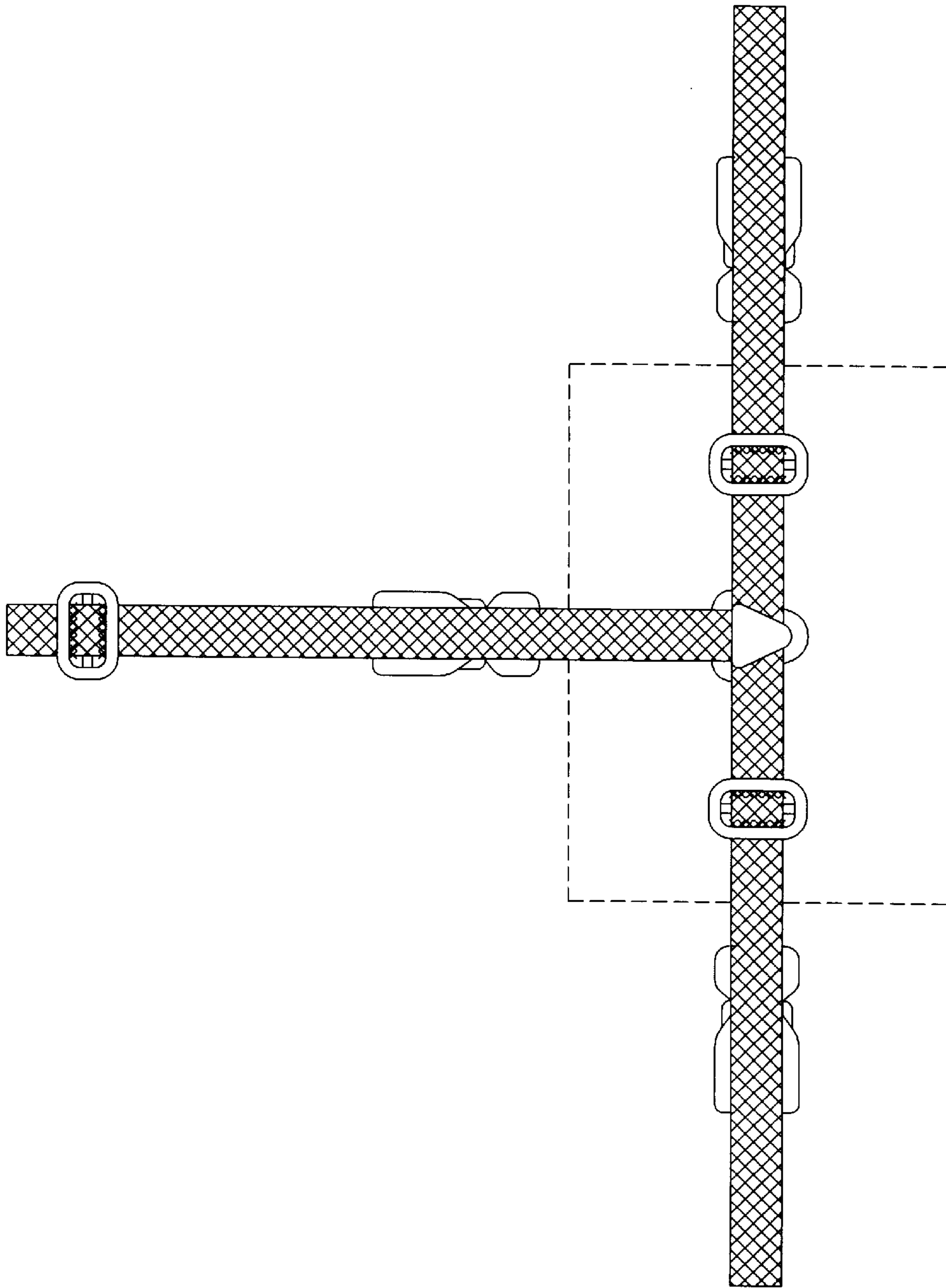


FIG. 3

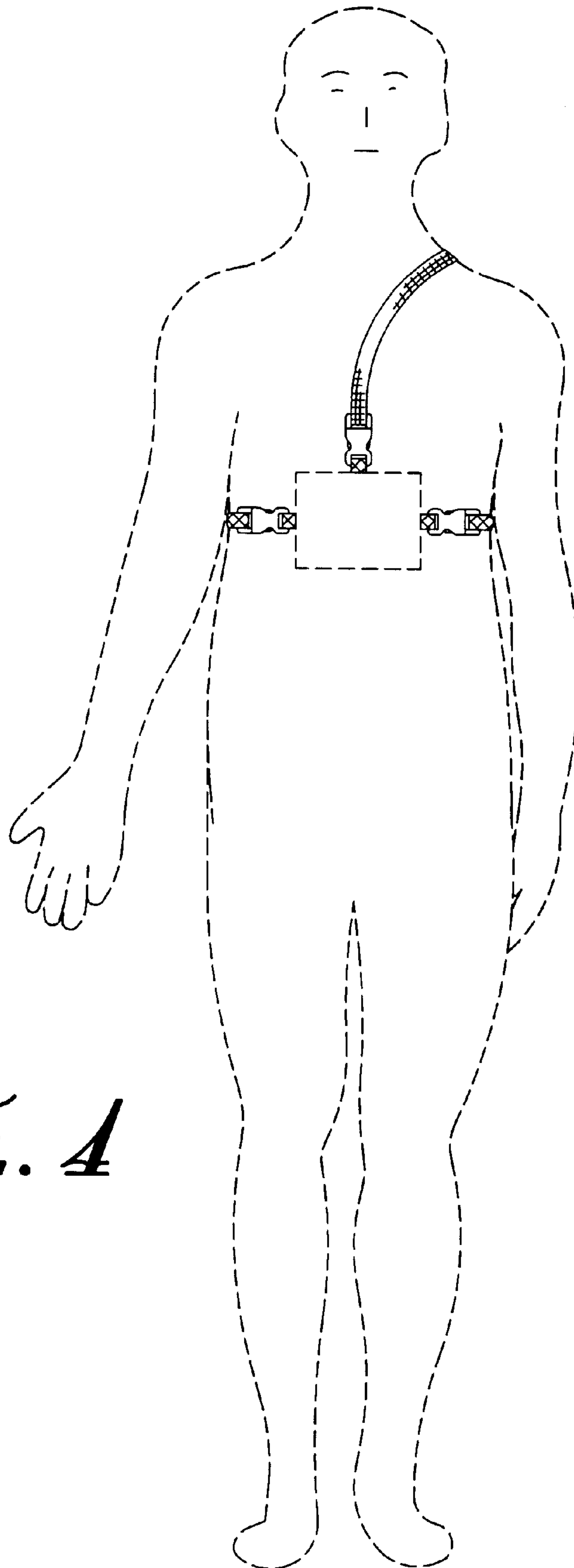


FIG. 4

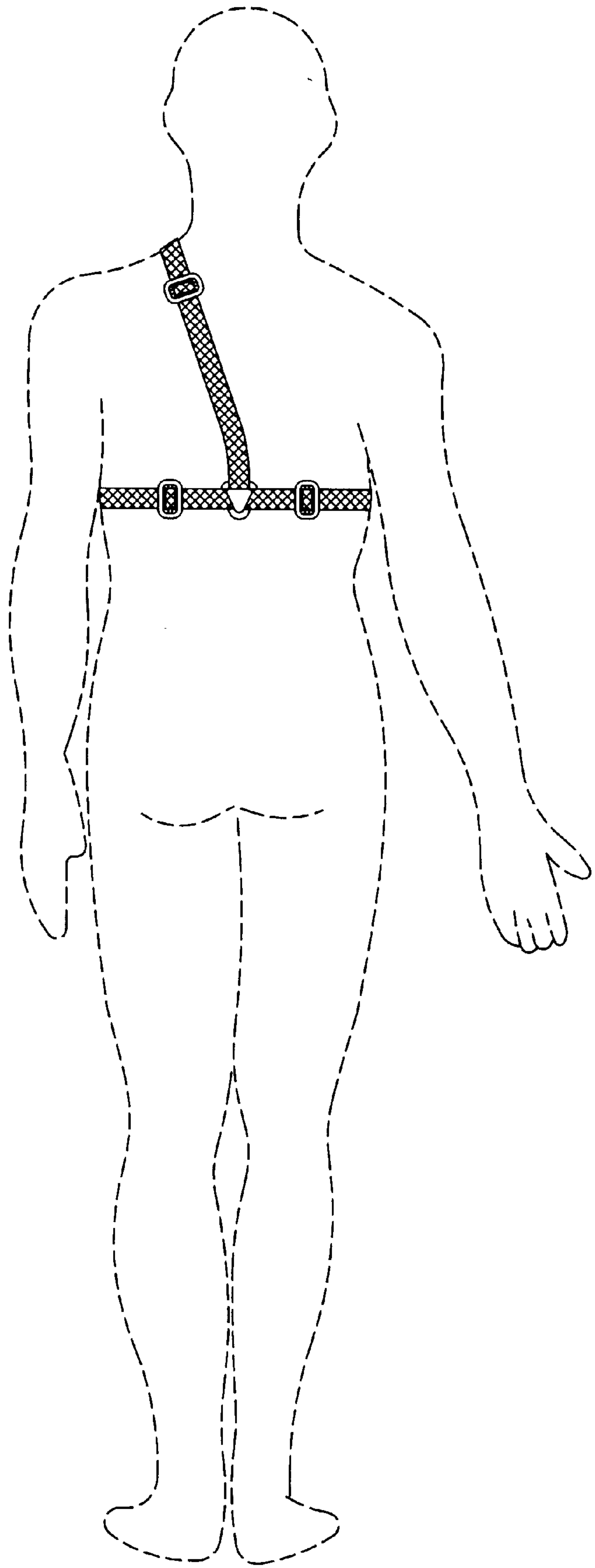


FIG. 5