



US00D420493S

United States Patent [19]
Blake

[11] **Patent Number: Des. 420,493**

[45] **Date of Patent: ** Feb. 15, 2000**

[54] **BASEBALL TYPE CAP WITH PROTECTIVE FLAP**

[75] Inventor: **Edward A. Blake**, Miamisburg, Ohio

[73] Assignee: **Tony Blake**

[**] Term: **14 Years**

[21] Appl. No.: **29/096,200**

[22] Filed: **Nov. 6, 1998**

[51] **LOC (7) Cl.** **02-03**

[52] **U.S. Cl.** **D2/866; D2/882**

[58] **Field of Search** D2/865, 866, 872, D2/875, 876, 879, 882, 884, 886, 891, 894, 500; 2/171, 172, 181, 181.4, 195.1, 175.3, 209.3, 209.13, 202, 174, 279

[56] **References Cited**

U.S. PATENT DOCUMENTS

D. 370,334	6/1996	Stevenson et al.	D2/882
D. 381,191	7/1997	Monkhouse et al.	D2/891
D. 392,090	3/1998	Monkhouse et al.	D2/891
822,986	6/1906	Rochet	2/172
899,334	9/1908	Seitzman	2/172
5,046,195	9/1991	Koritan	2/172
5,081,717	1/1992	Shood et al.	2/195.1
5,400,440	3/1995	Clifford	2/172
5,448,778	9/1995	Phillips	2/172
5,649,327	7/1997	Crewe	2/172
5,669,075	9/1997	Weeks	2/172
5,860,165	1/1999	Civijanovich	2/195.1

Primary Examiner—Paula A. Mortimer
Attorney, Agent, or Firm—R. William Graham

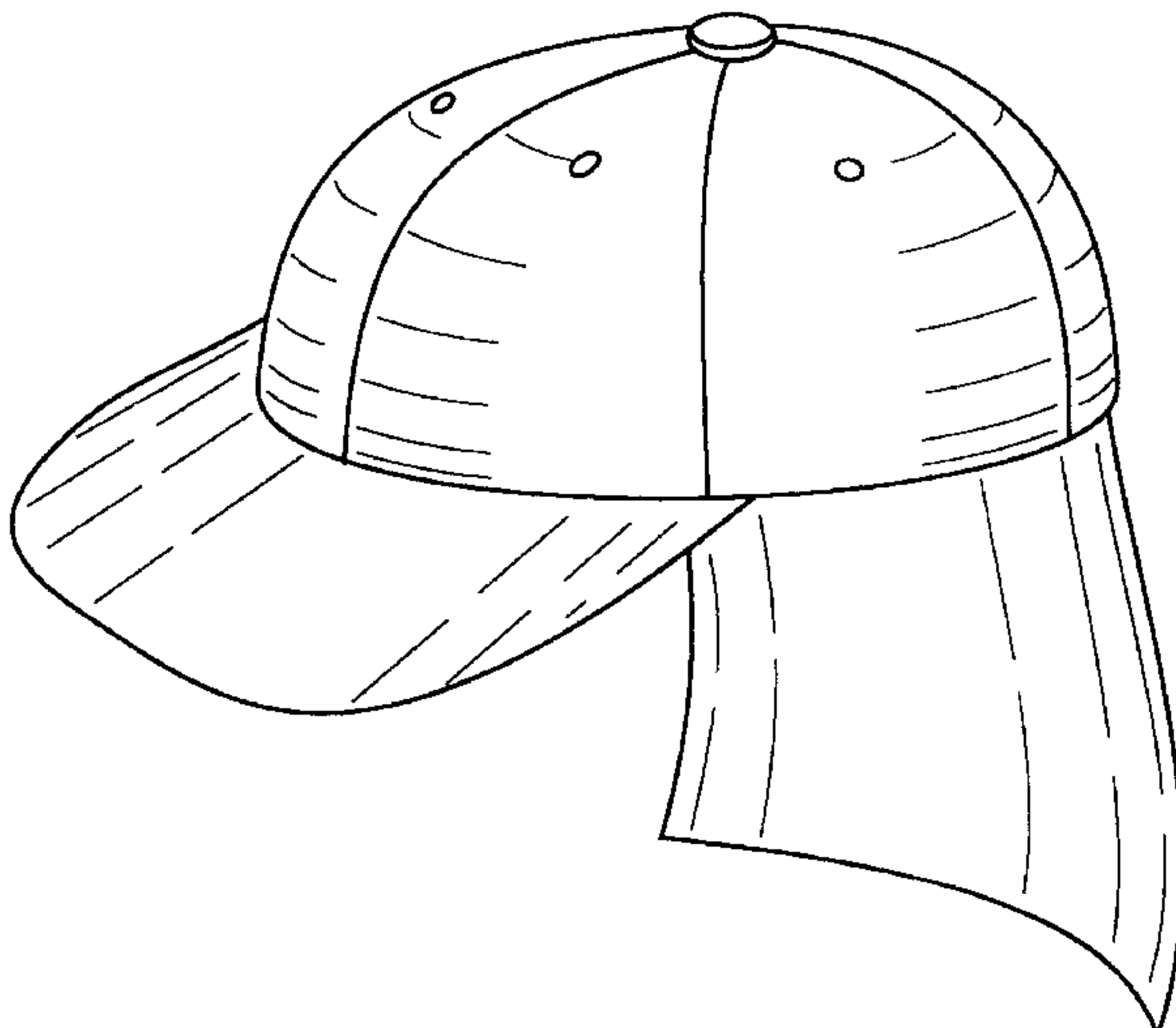
[57] **CLAIM**

The ornamental design for the a baseball type cap with protective flap, as shown and described.

DESCRIPTION

FIG. 1 is a perspective view of a baseball cap with protective flap showing my new design;
 FIG. 2 is a perspective view of taken from the left front of the embodiment of FIG. 1;
 FIG. 3 is a perspective view of taken from the right rear of the embodiment of FIG. 1;
 FIG. 4 is a perspective view of taken from the right front of the embodiment of FIG. 1;
 FIG. 5 is rear view of the embodiment of FIG. 1;
 FIG. 6 is front view of the embodiment of FIG. 1;
 FIG. 7 is a right side view of the embodiment of FIG. 1;
 FIG. 8 is a left side view of the embodiment of FIG. 1;
 FIG. 9 is a top view of the embodiment of FIG. 1;
 FIG. 10 is a bottom view of the embodiment of FIG. 1;
 FIG. 11 is a perspective view of a second embodiment of a baseball cap with protective flap showing my new design;
 FIG. 12 is a perspective view of taken from the left front of the embodiment of FIG. 11;
 FIG. 13 is a perspective view of taken from the right rear of the embodiment of FIG. 11;
 FIG. 14 is a perspective view of taken from the right front of the embodiment of FIG. 11;
 FIG. 15 is rear view of the embodiment of FIG. 11;
 FIG. 16 is front view of the embodiment of FIG. 11;
 FIG. 17 is a right side view of the embodiment of FIG. 11;
 FIG. 18 is a left side view of the embodiment of FIG. 11;
 FIG. 19 is a top view of the embodiment of FIG. 11;
 FIG. 20 is a bottom view of the embodiment of FIG. 11;
 FIG. 21 is a perspective view of a third embodiment of a baseball cap with protective flap showing my new design;
 FIG. 22 is a perspective view of taken from the left front of the embodiment of FIG. 21;
 FIG. 23 is a perspective view of taken from the right rear of the embodiment of FIG. 21;
 FIG. 24 is a perspective view of taken from the right front of the embodiment of FIG. 21;
 FIG. 25 is rear view of the embodiment of FIG. 21;
 FIG. 26 is front view of the embodiment of FIG. 21;
 FIG. 27 is a right side view of the embodiment of FIG. 21;
 FIG. 28 is a left side view of the embodiment of FIG. 21;
 FIG. 29 is a top view of the embodiment of FIG. 21; and,
 FIG. 30 is a bottom view of the embodiment of FIG. 21.

1 Claim, 10 Drawing Sheets



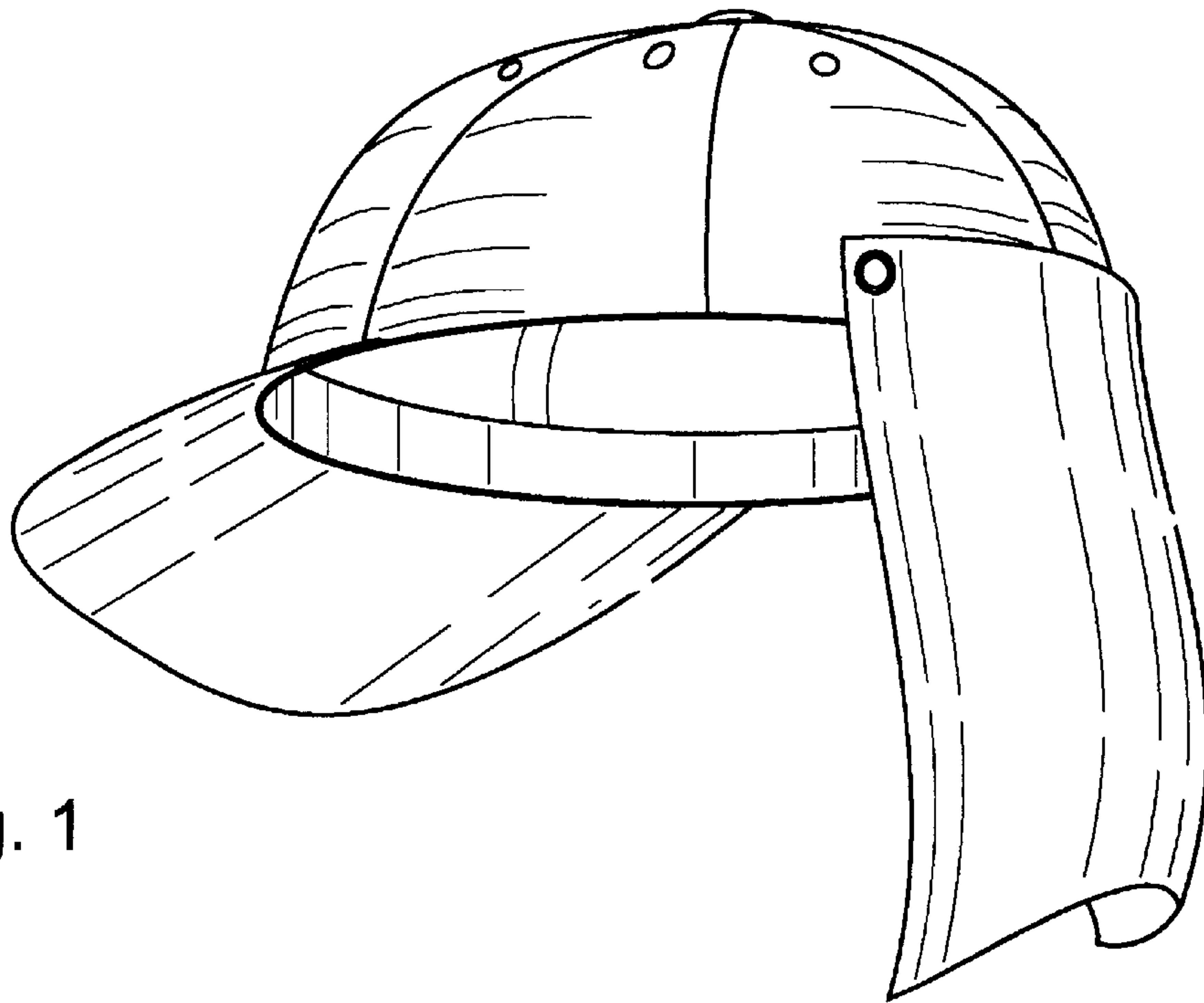


Fig. 1

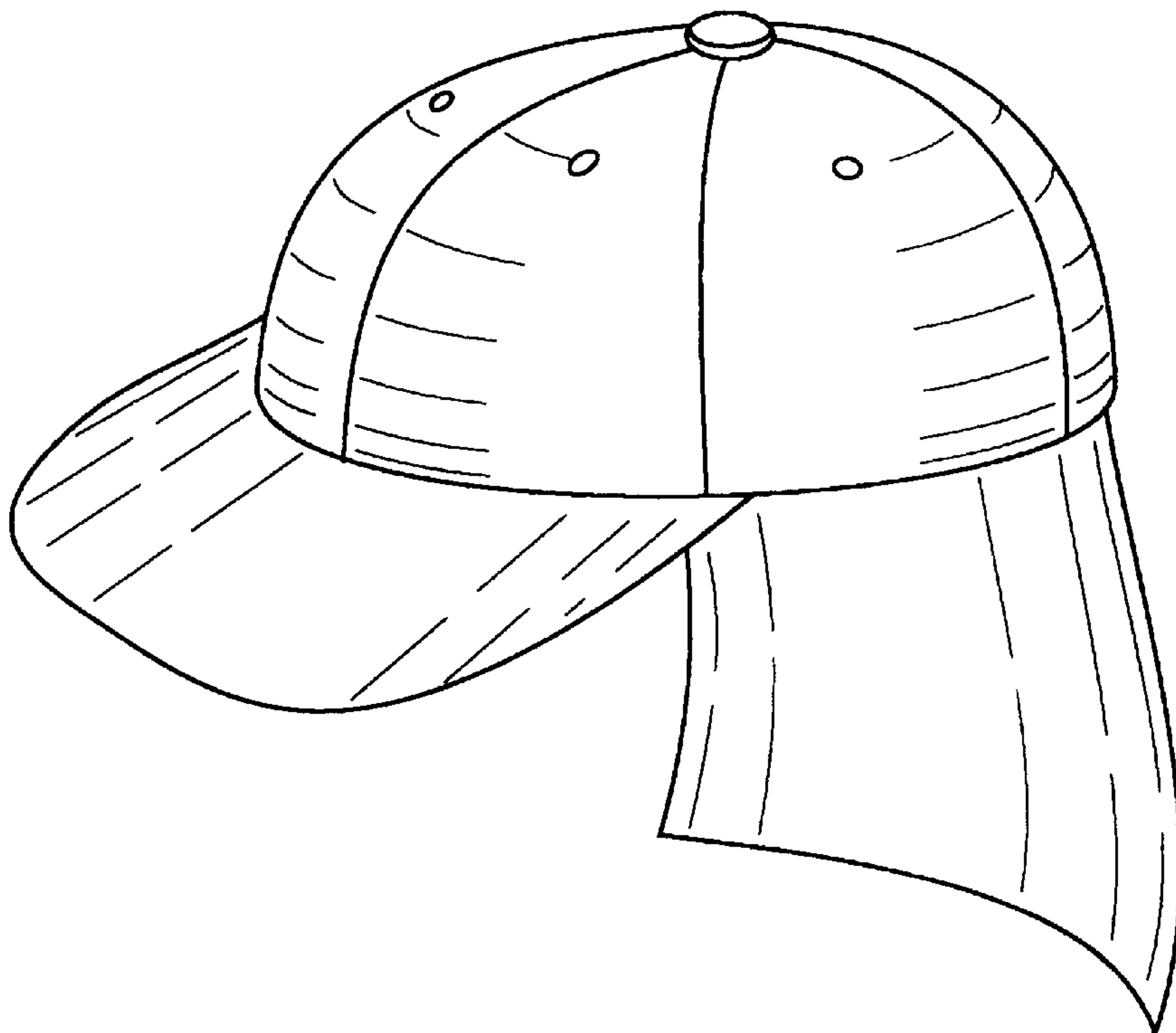


Fig. 2

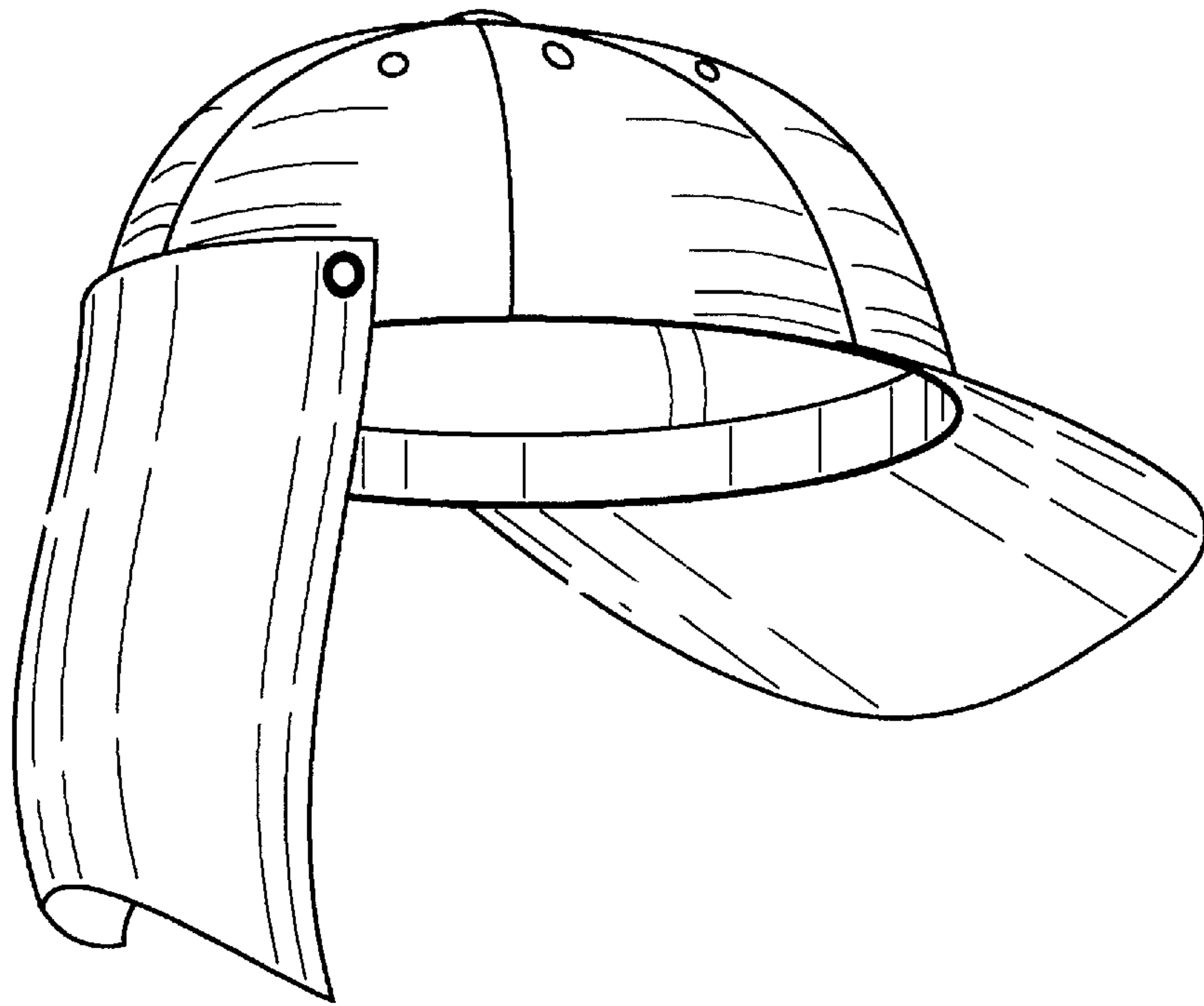


Fig. 3

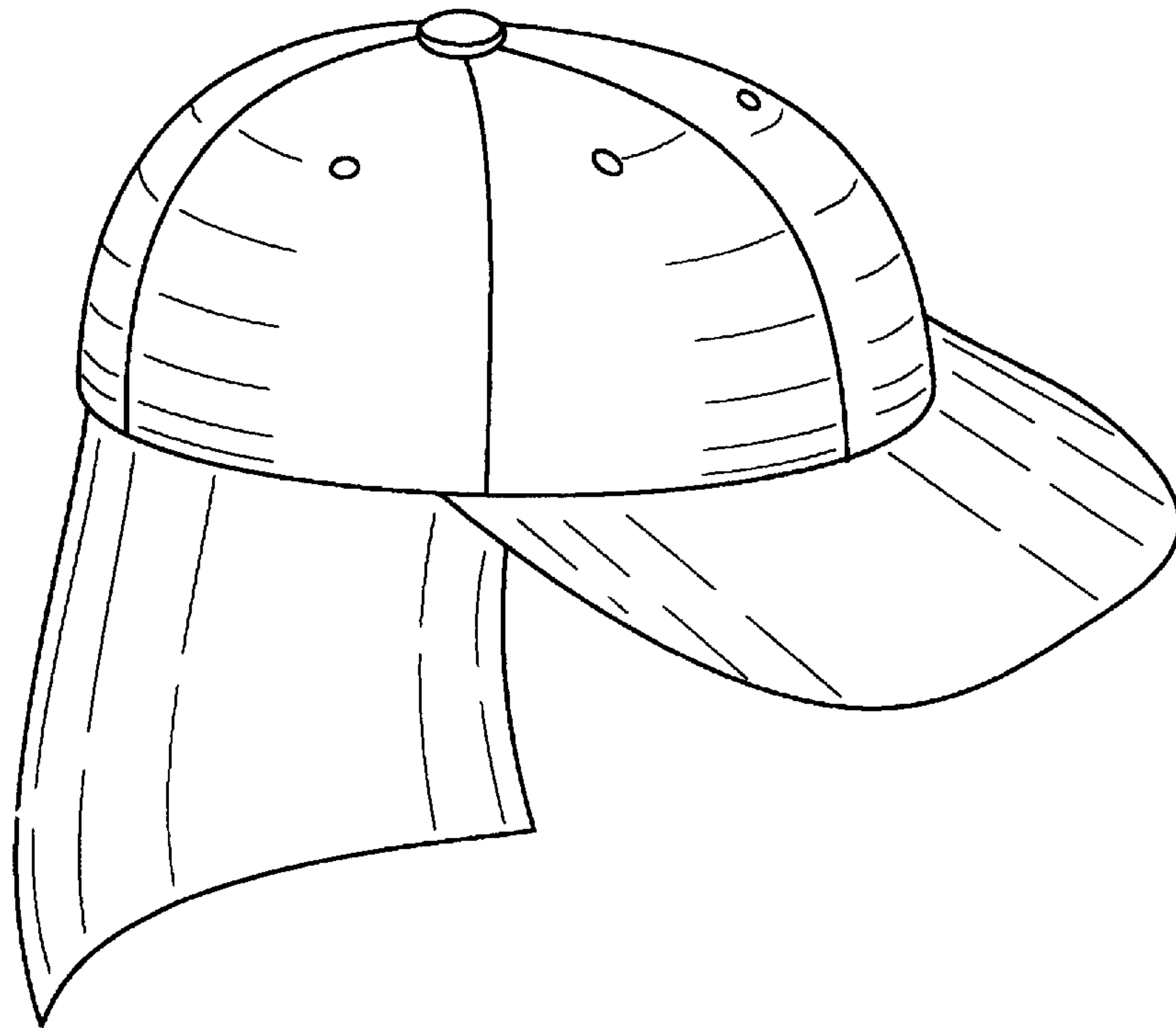


Fig. 4

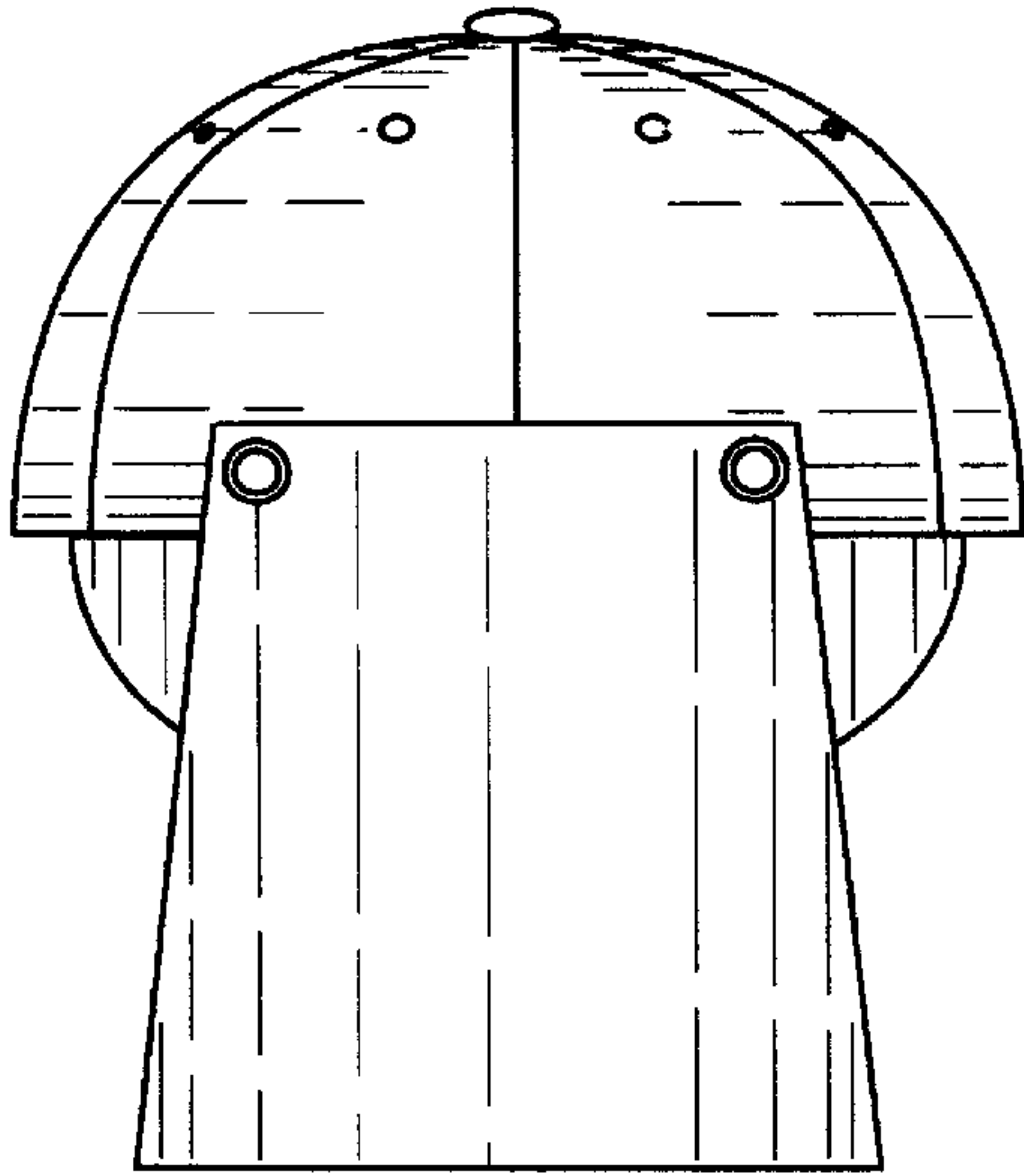


Fig. 5

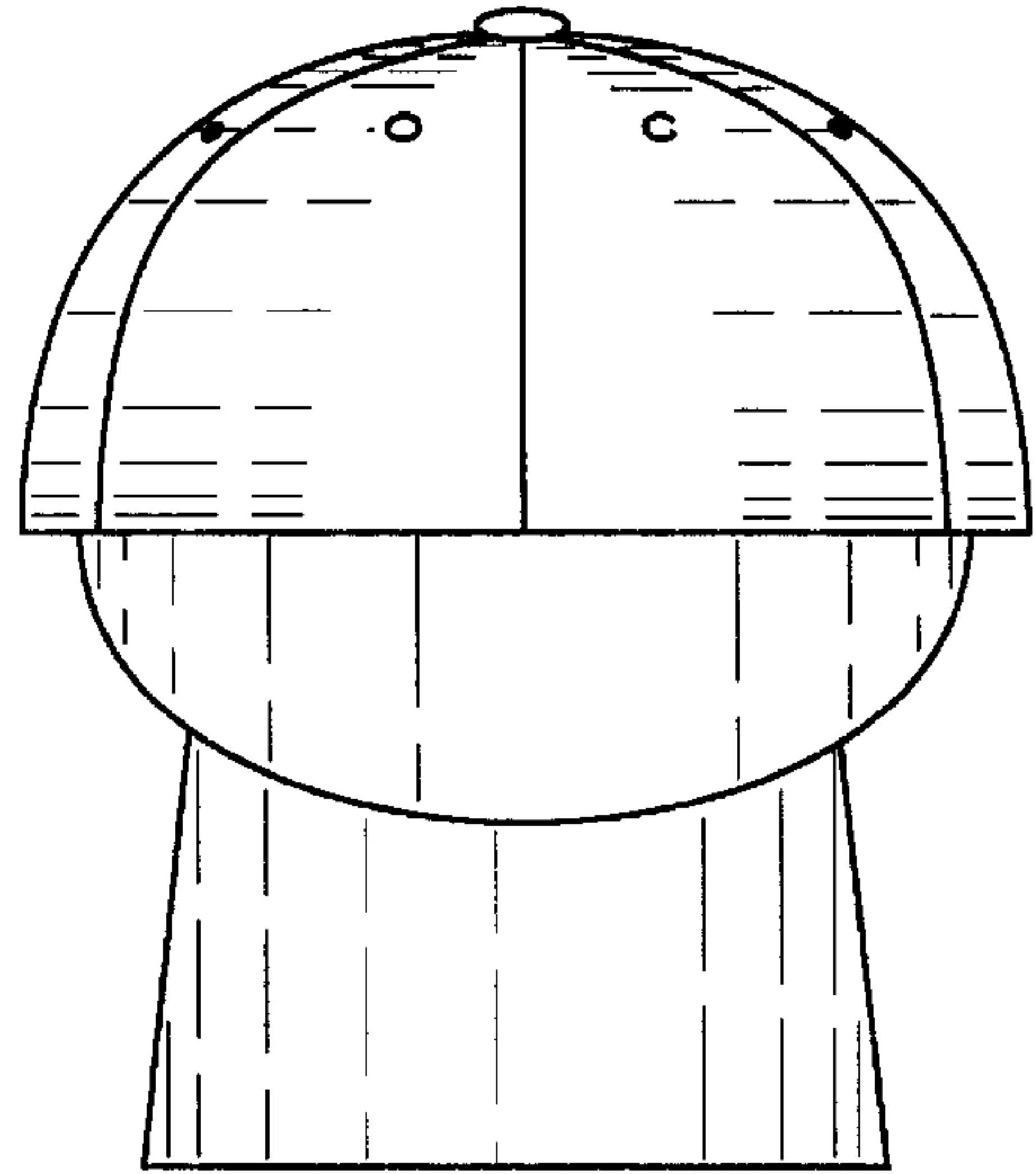


Fig. 6

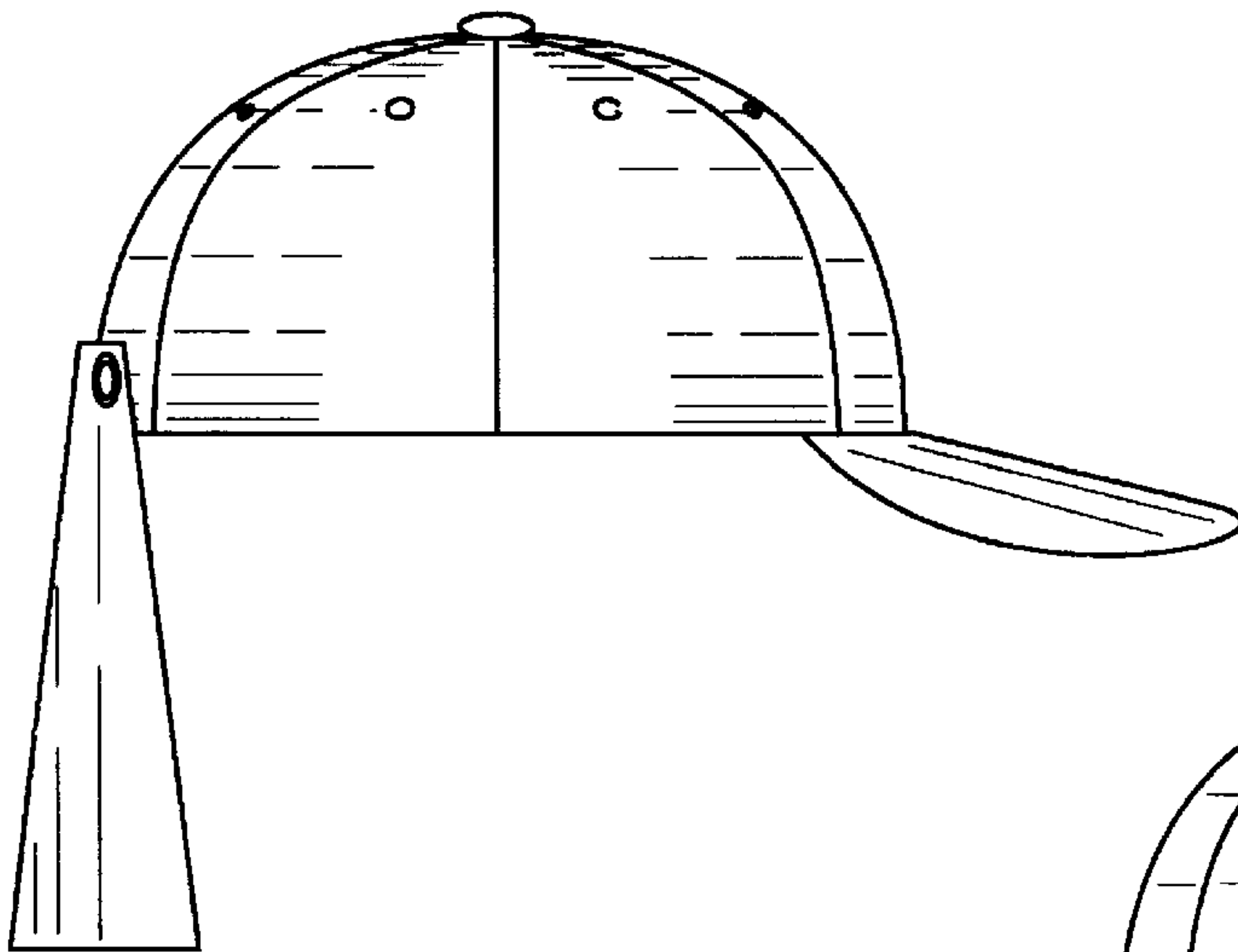


Fig. 7

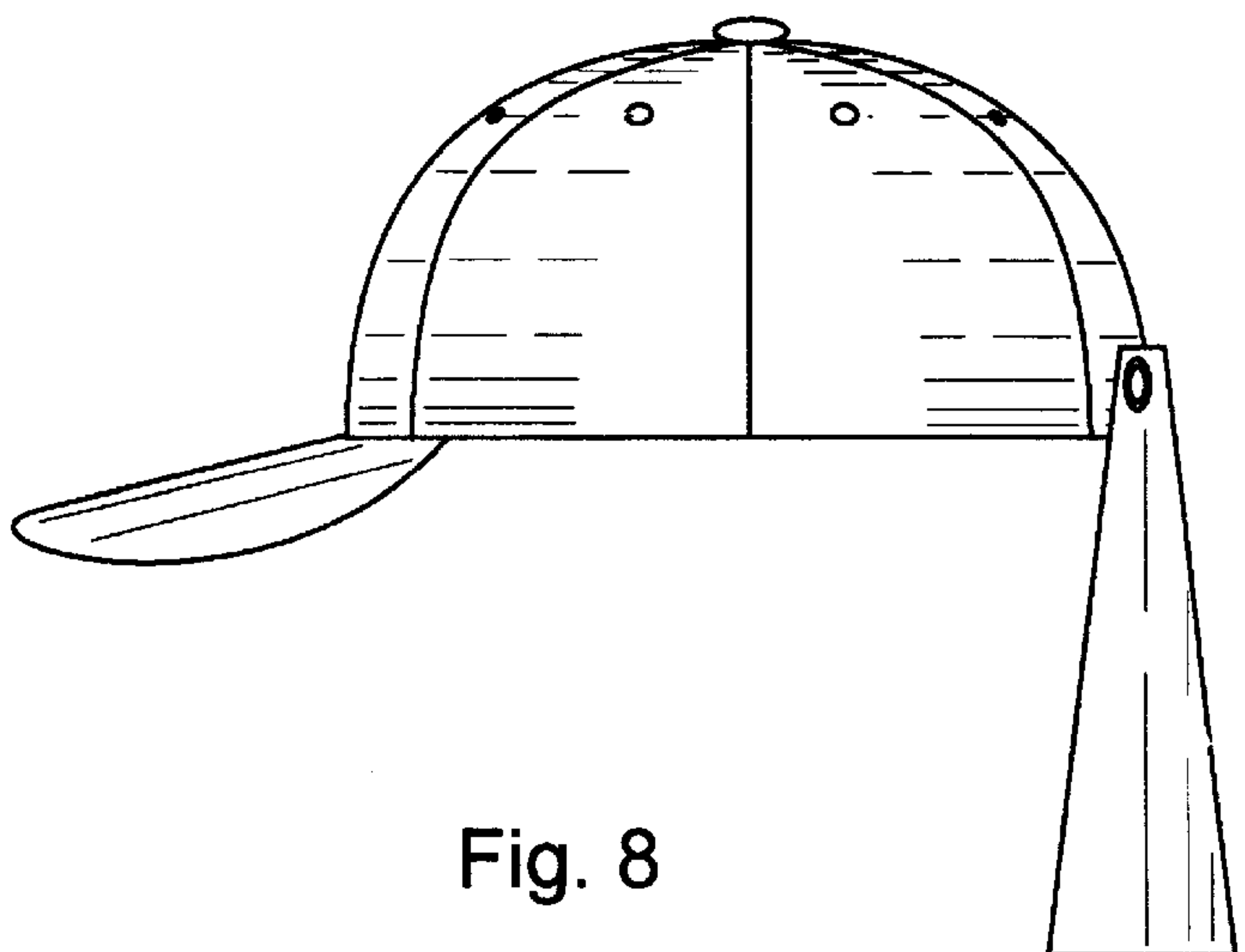


Fig. 8

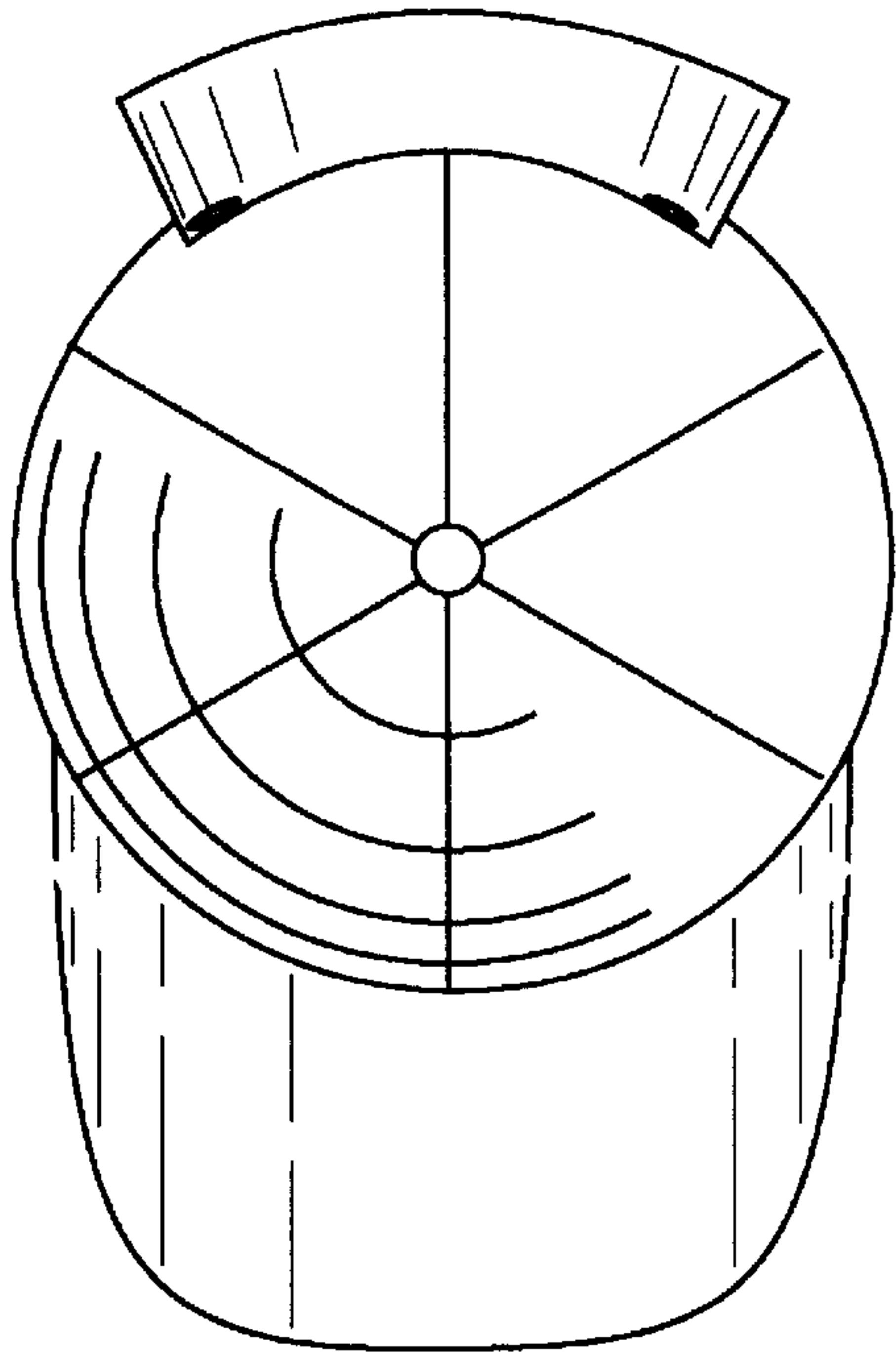


Fig. 9

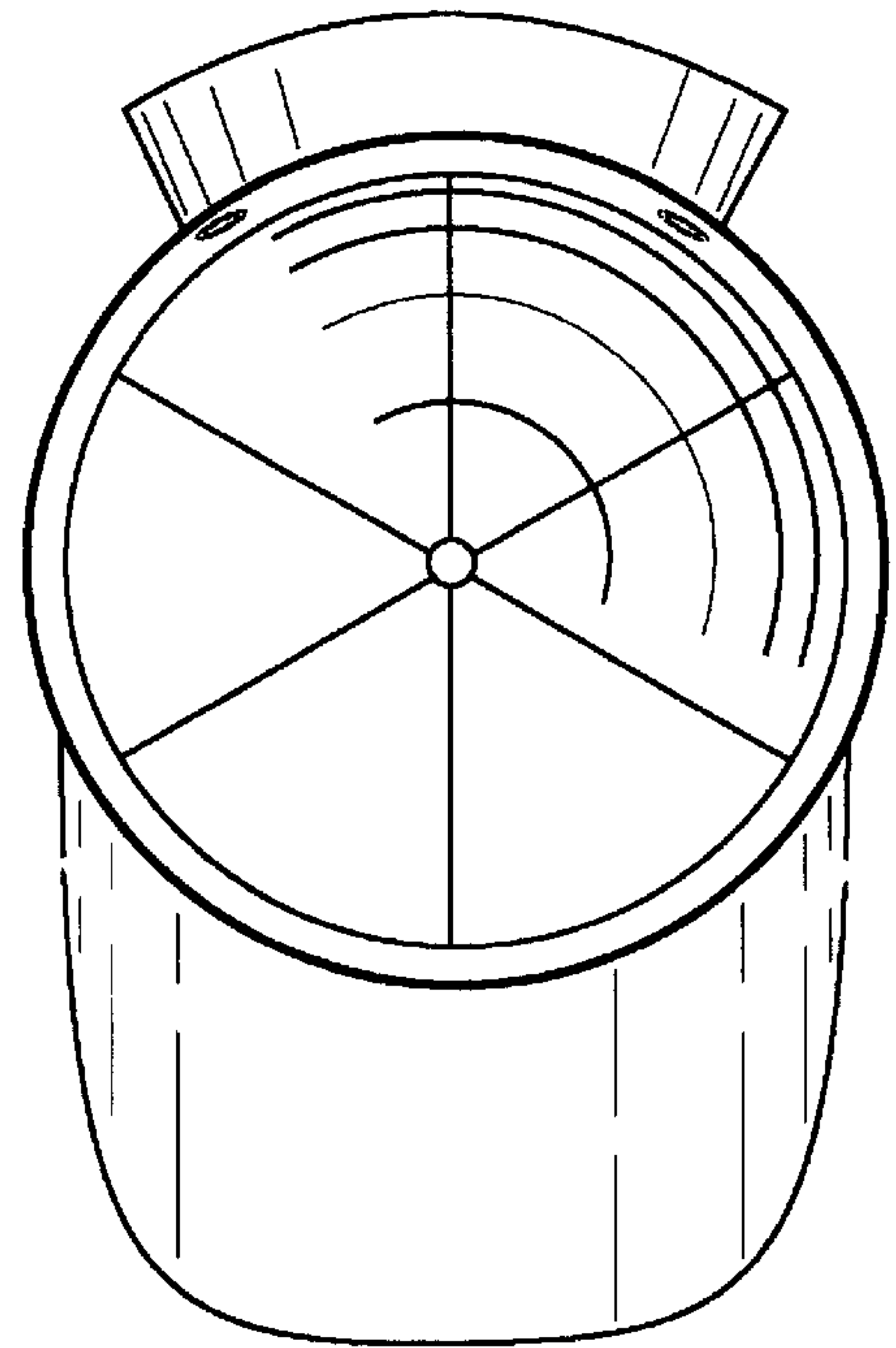


Fig. 10

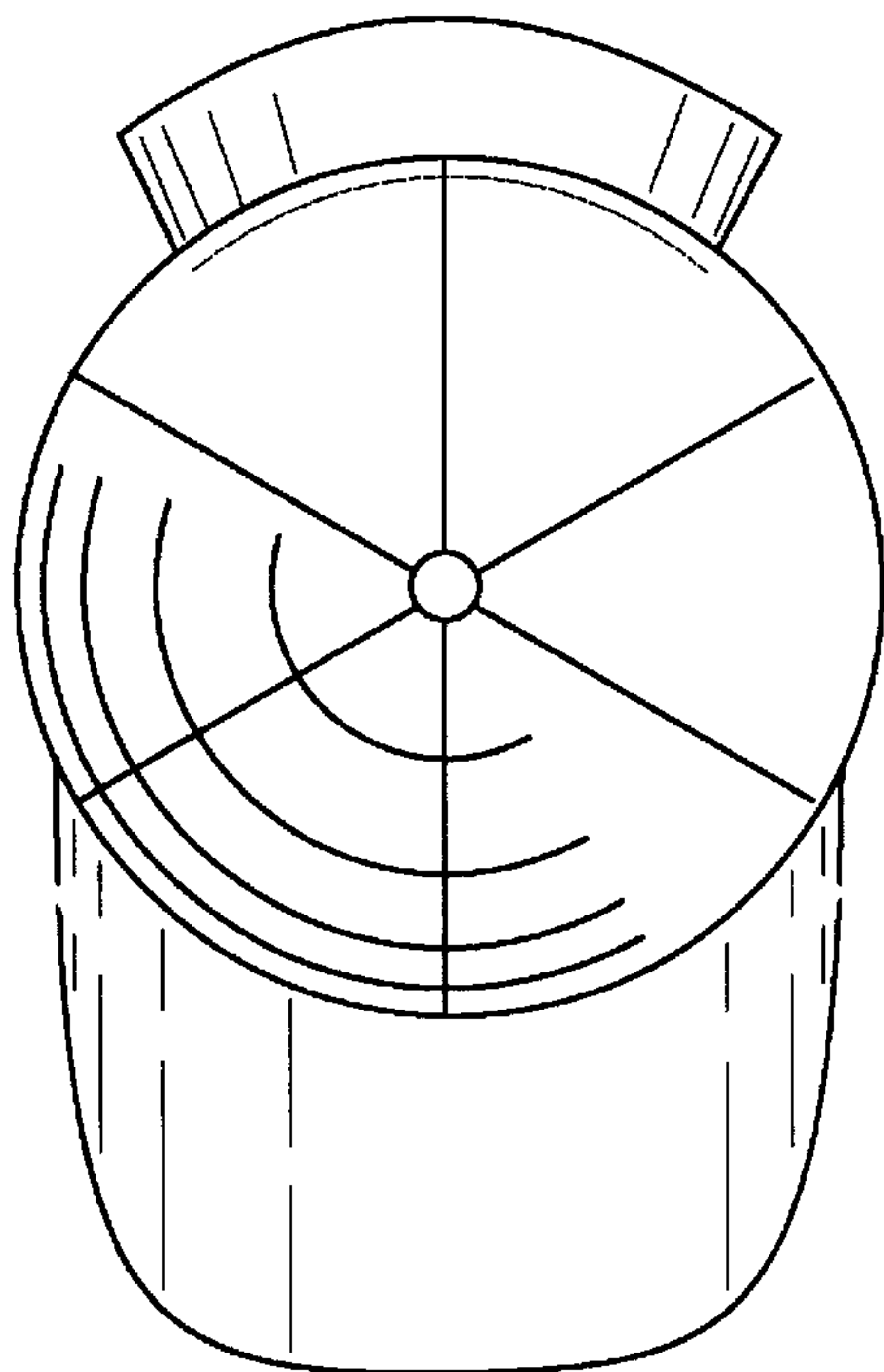


Fig. 19

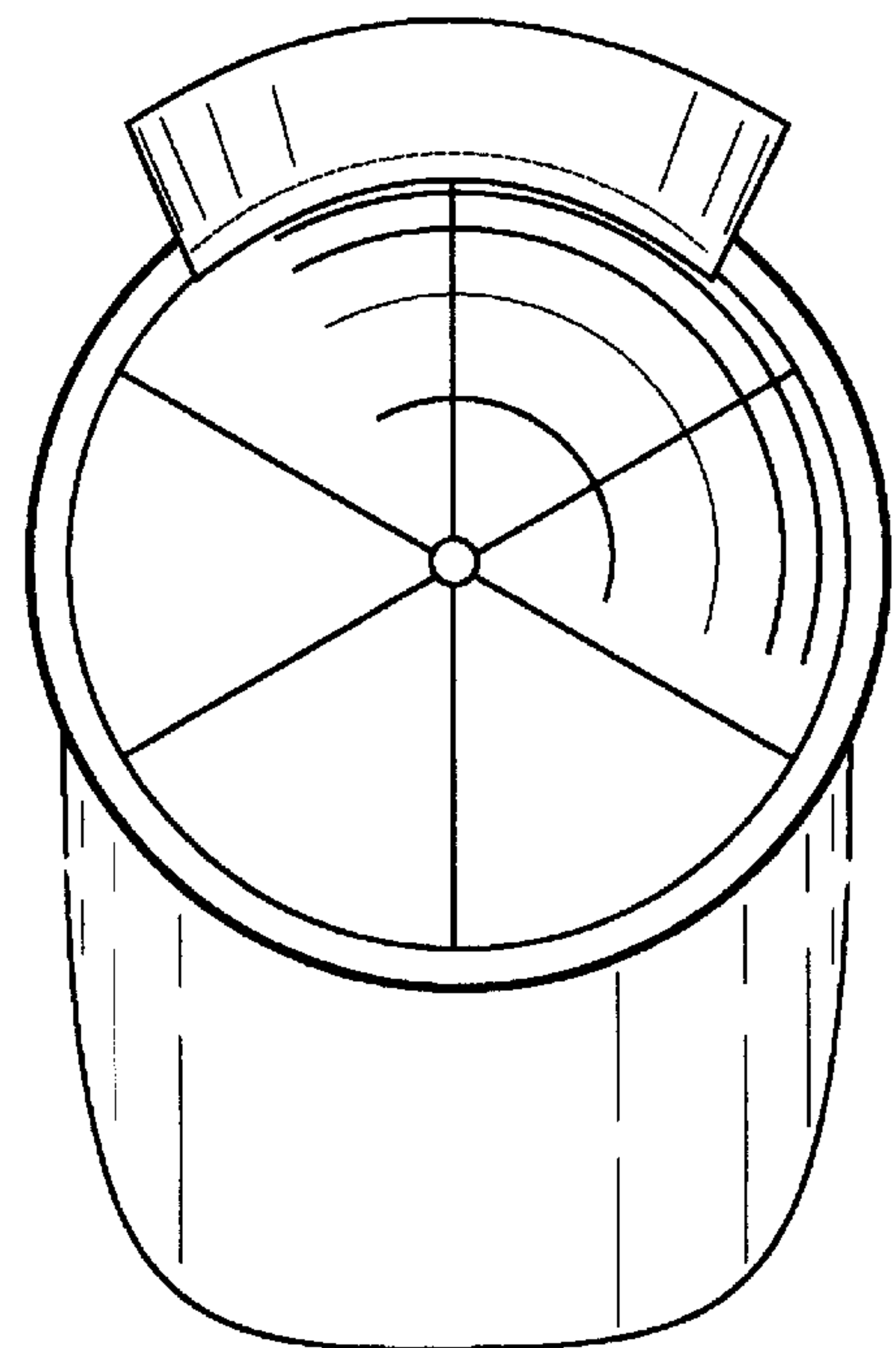


Fig. 20

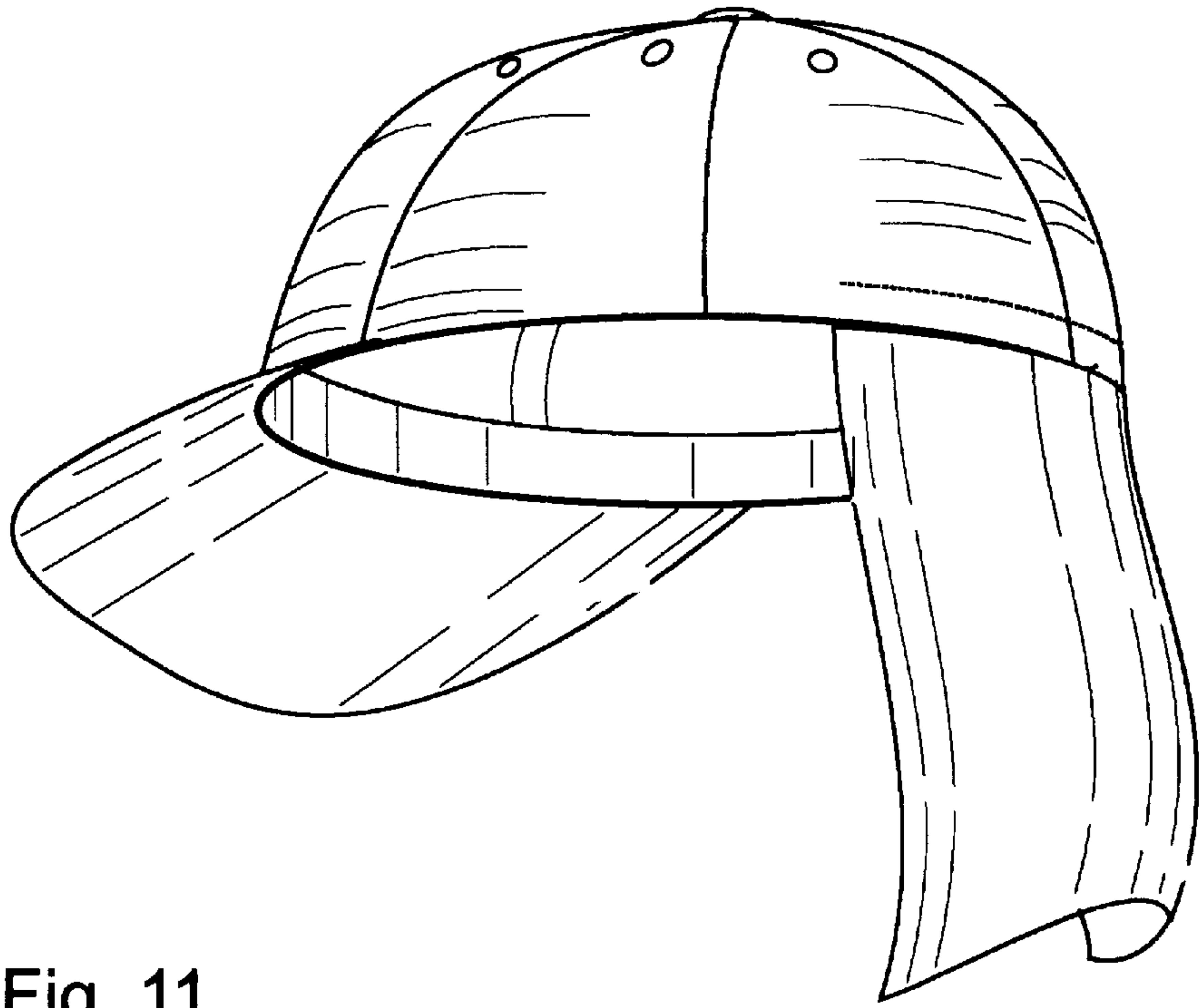


Fig. 11

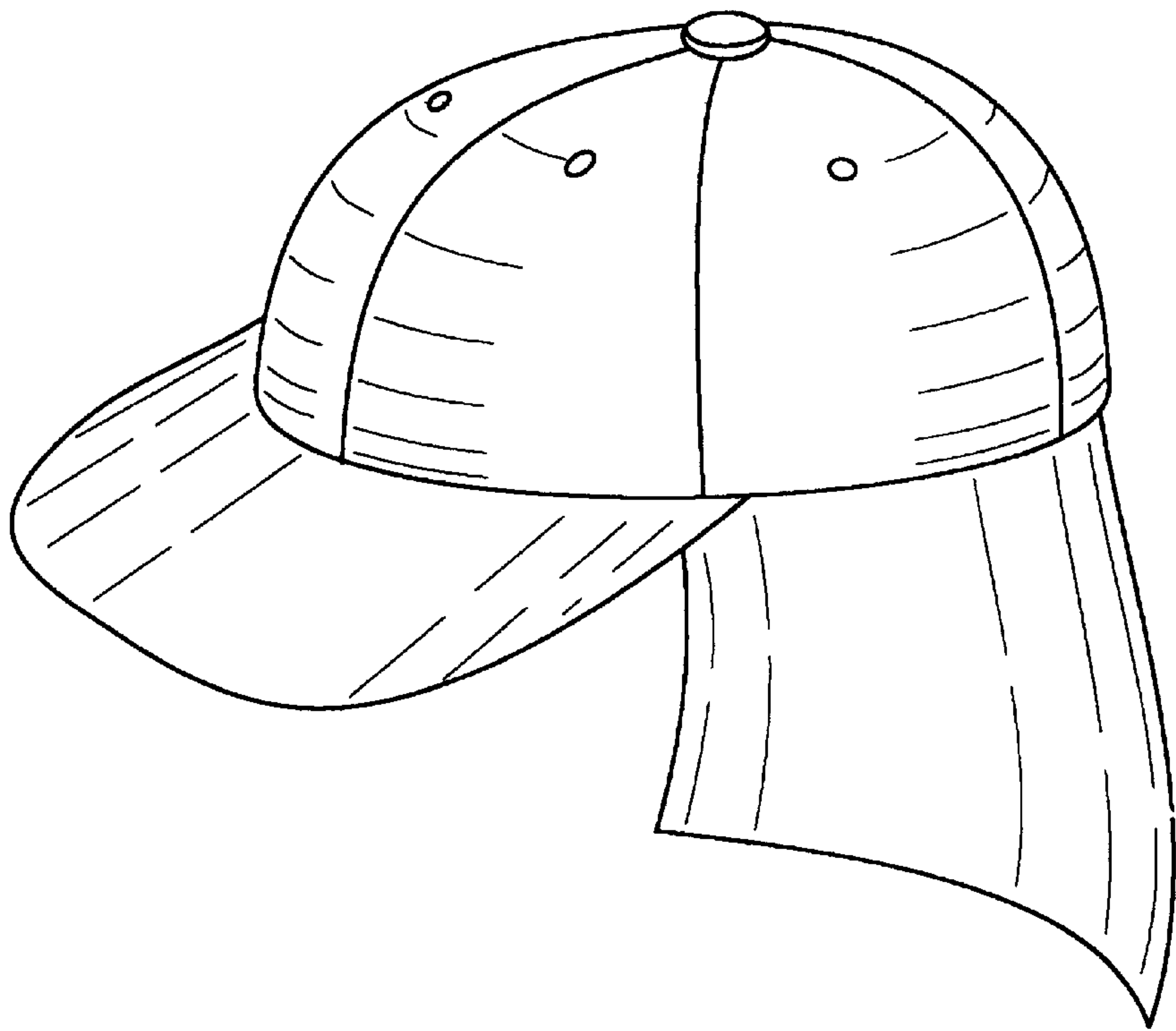


Fig. 12

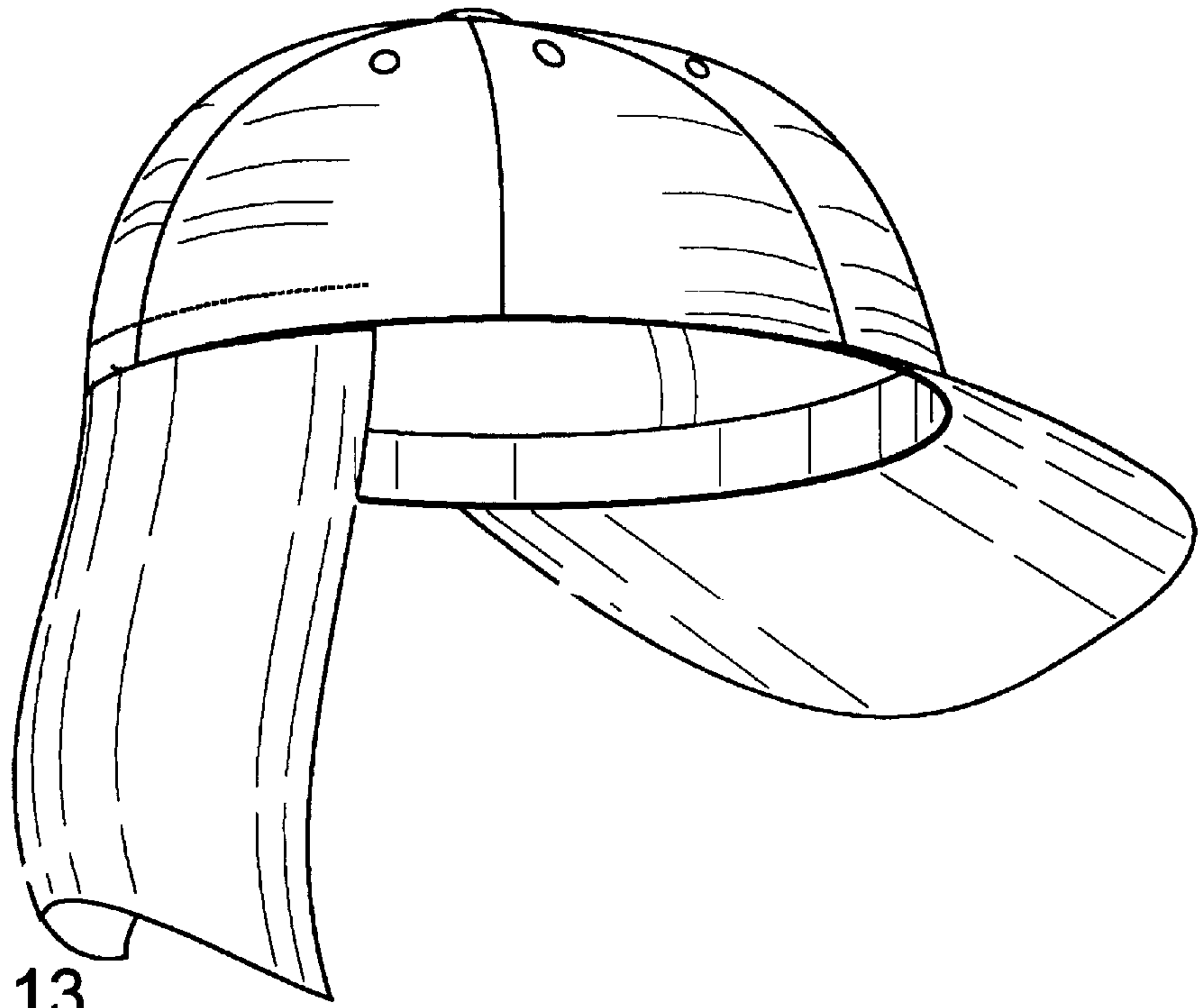


Fig. 13

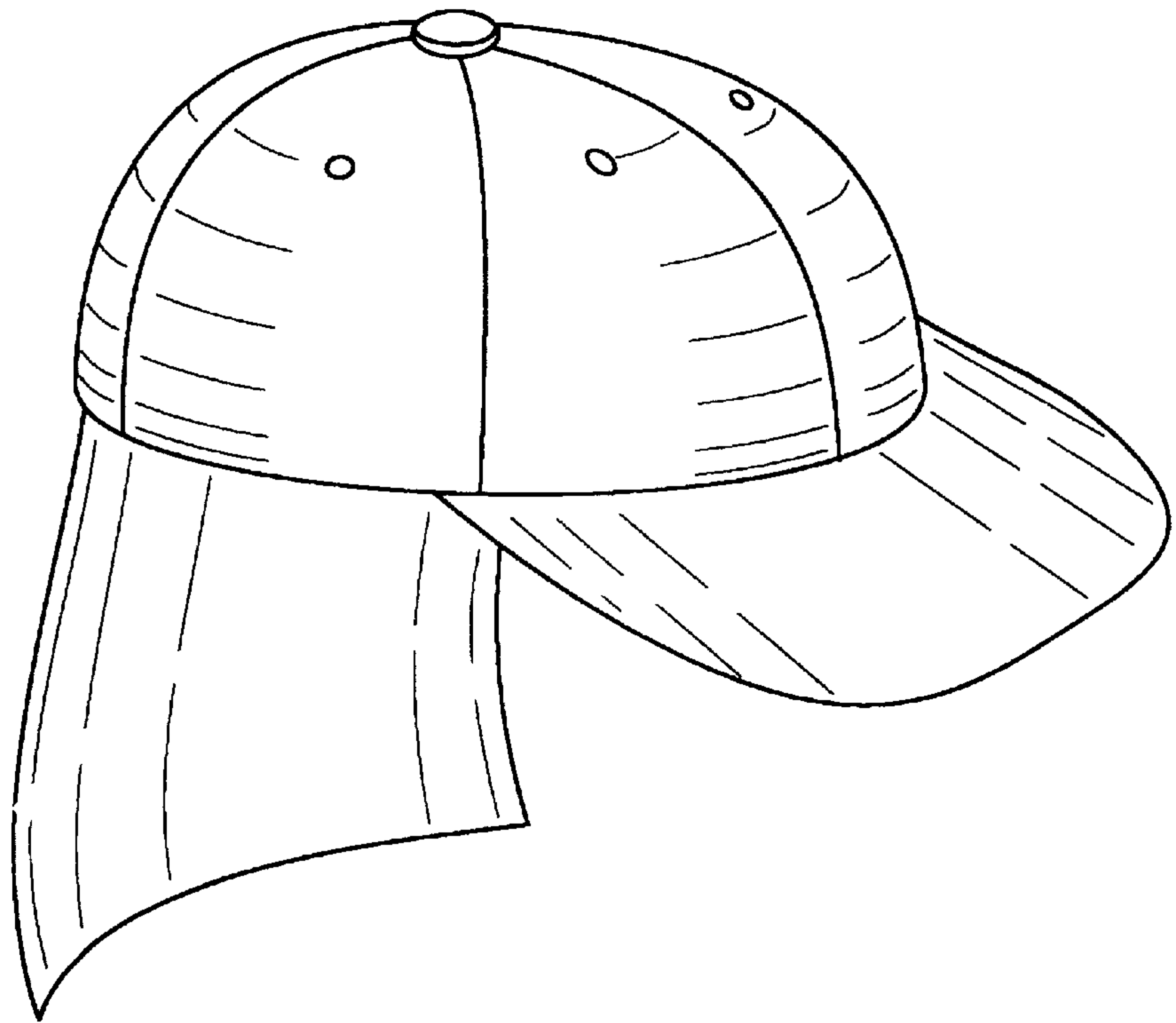


Fig. 14

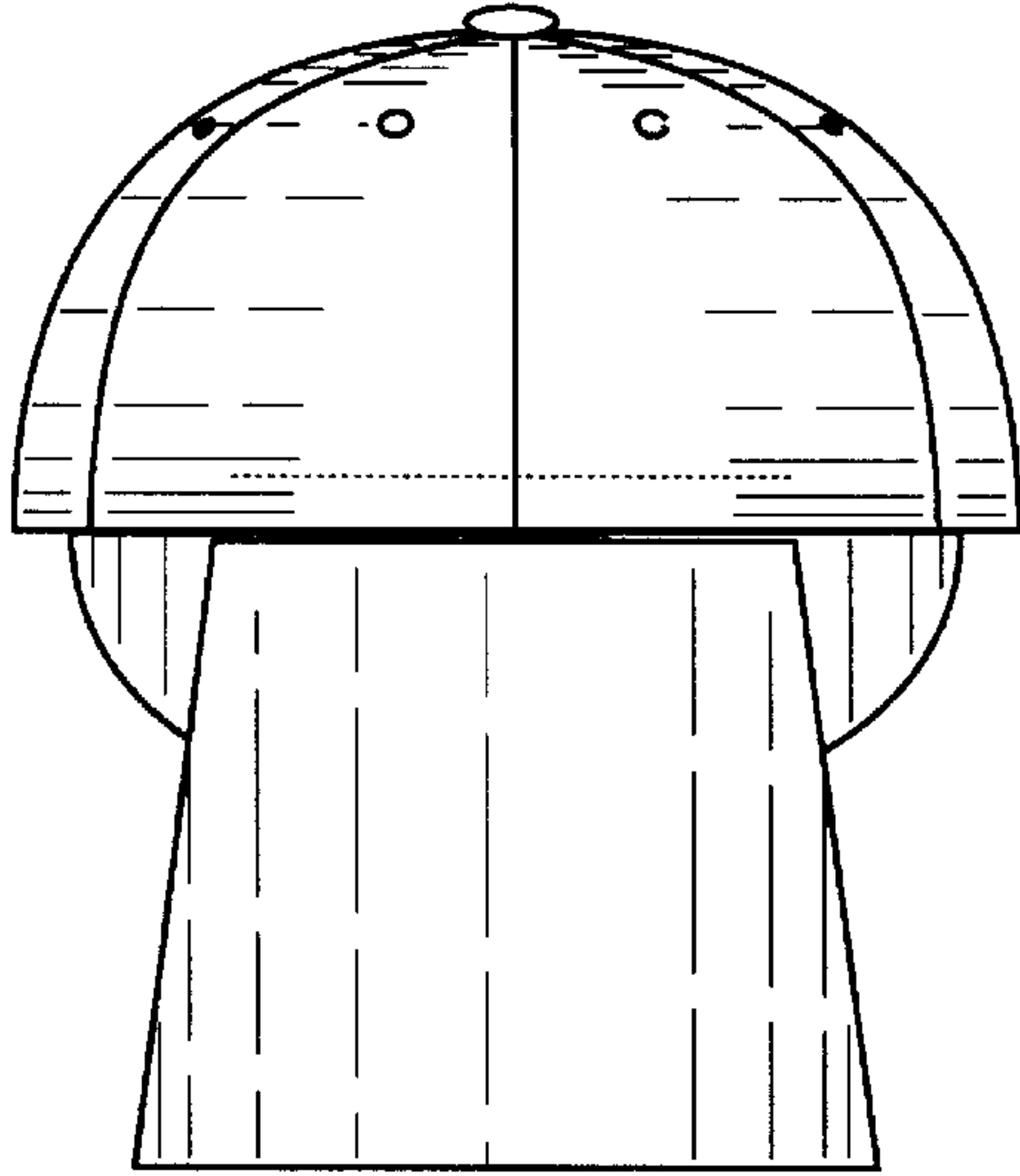


Fig. 15

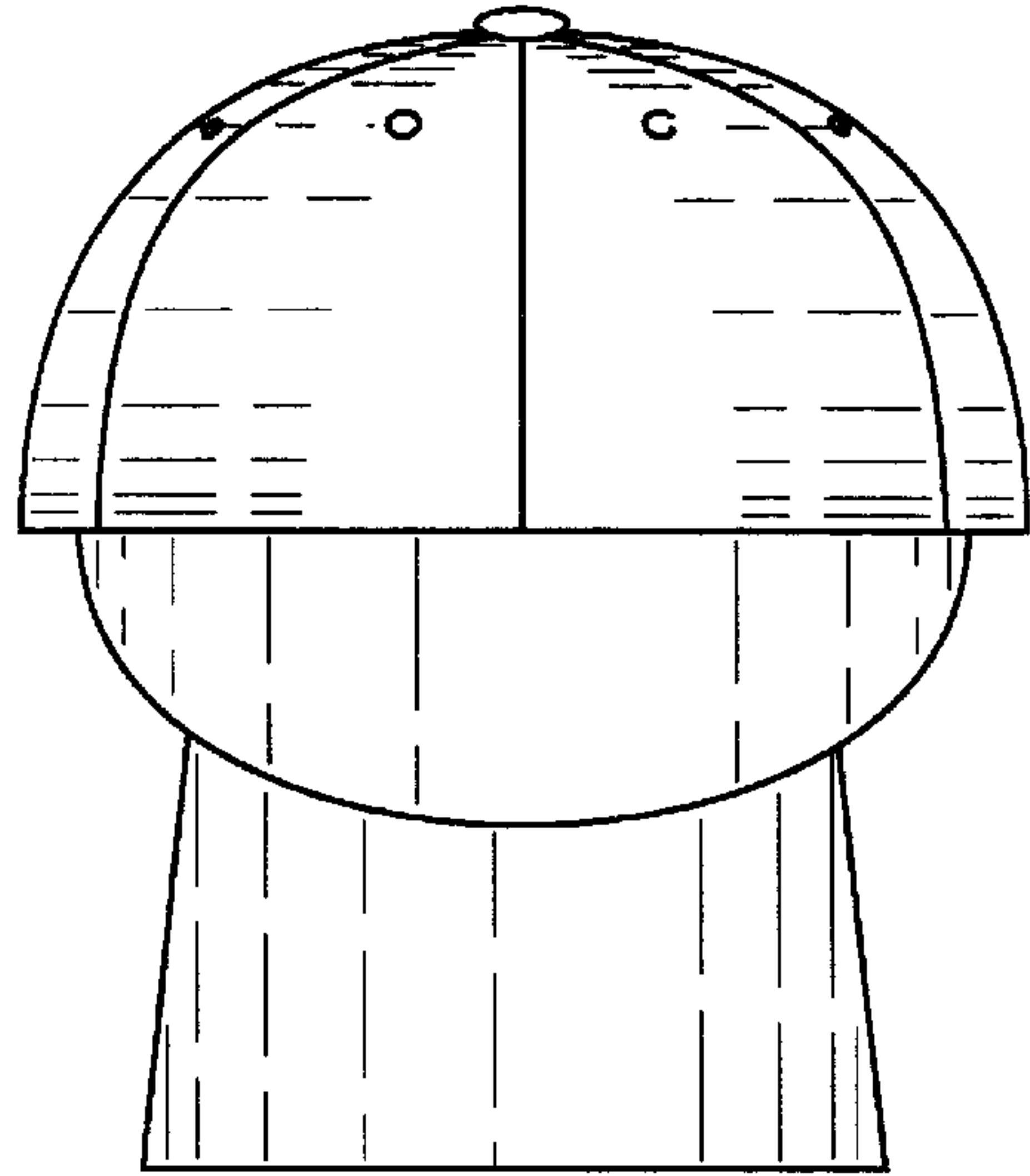


Fig. 16

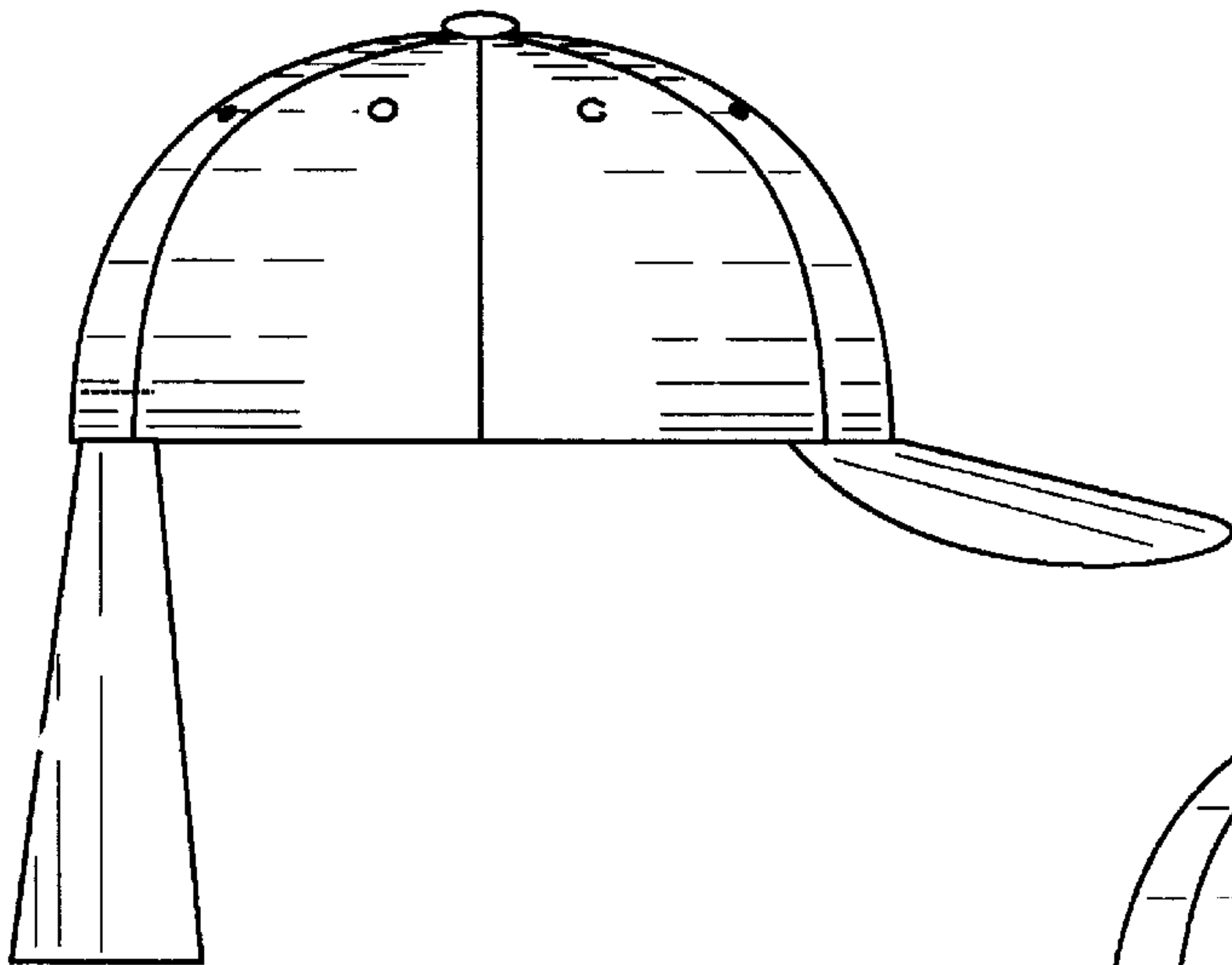


Fig. 17

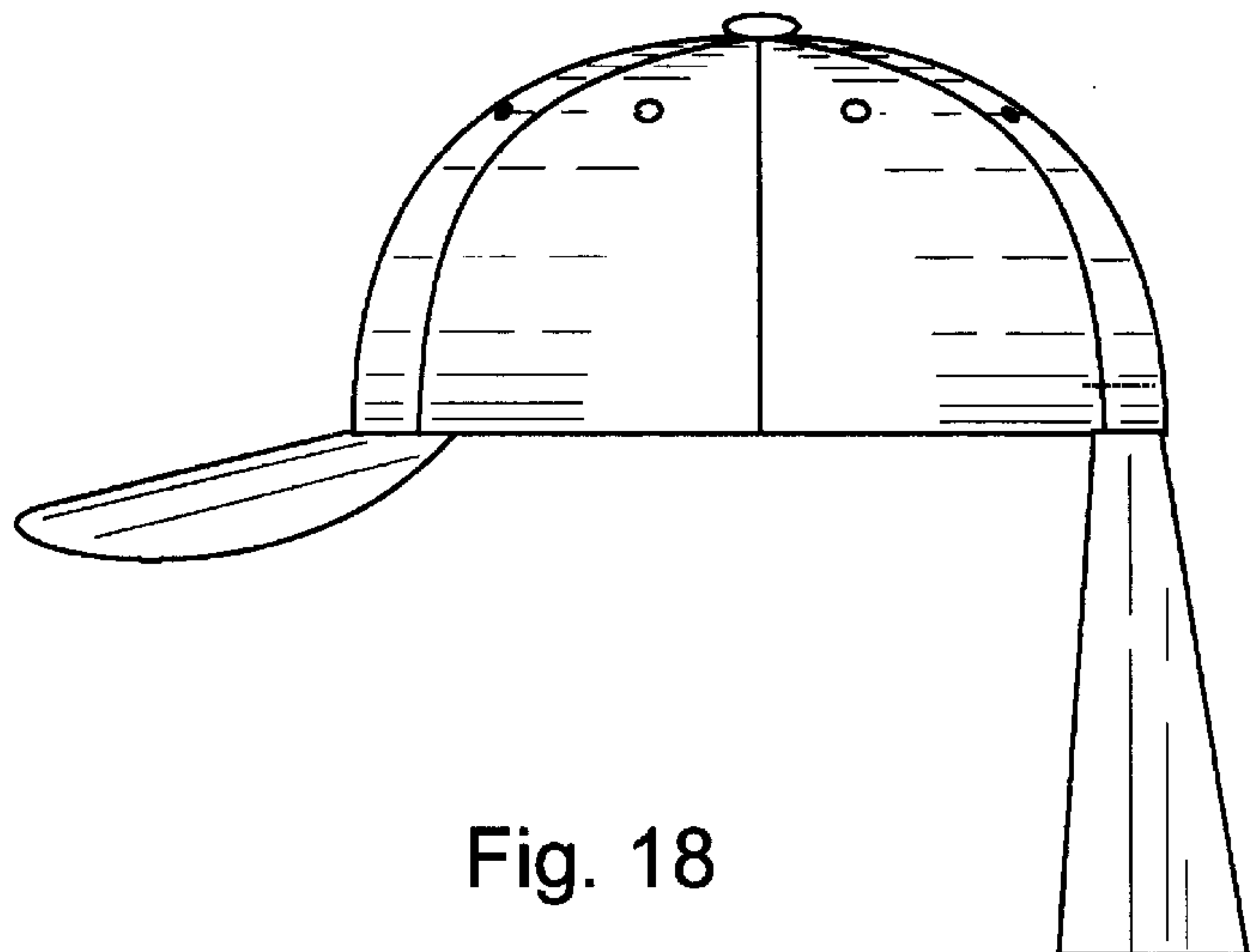


Fig. 18

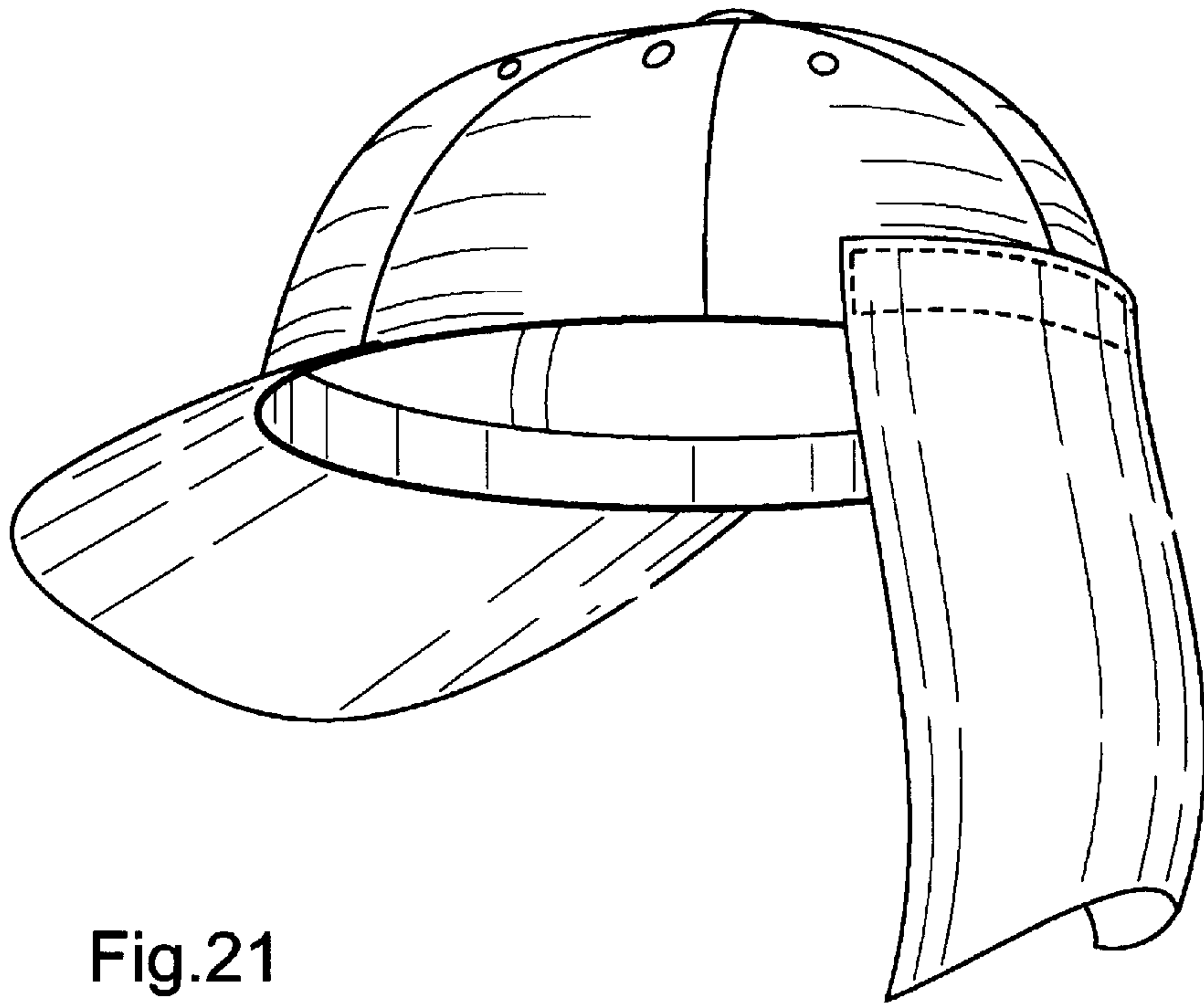


Fig. 21

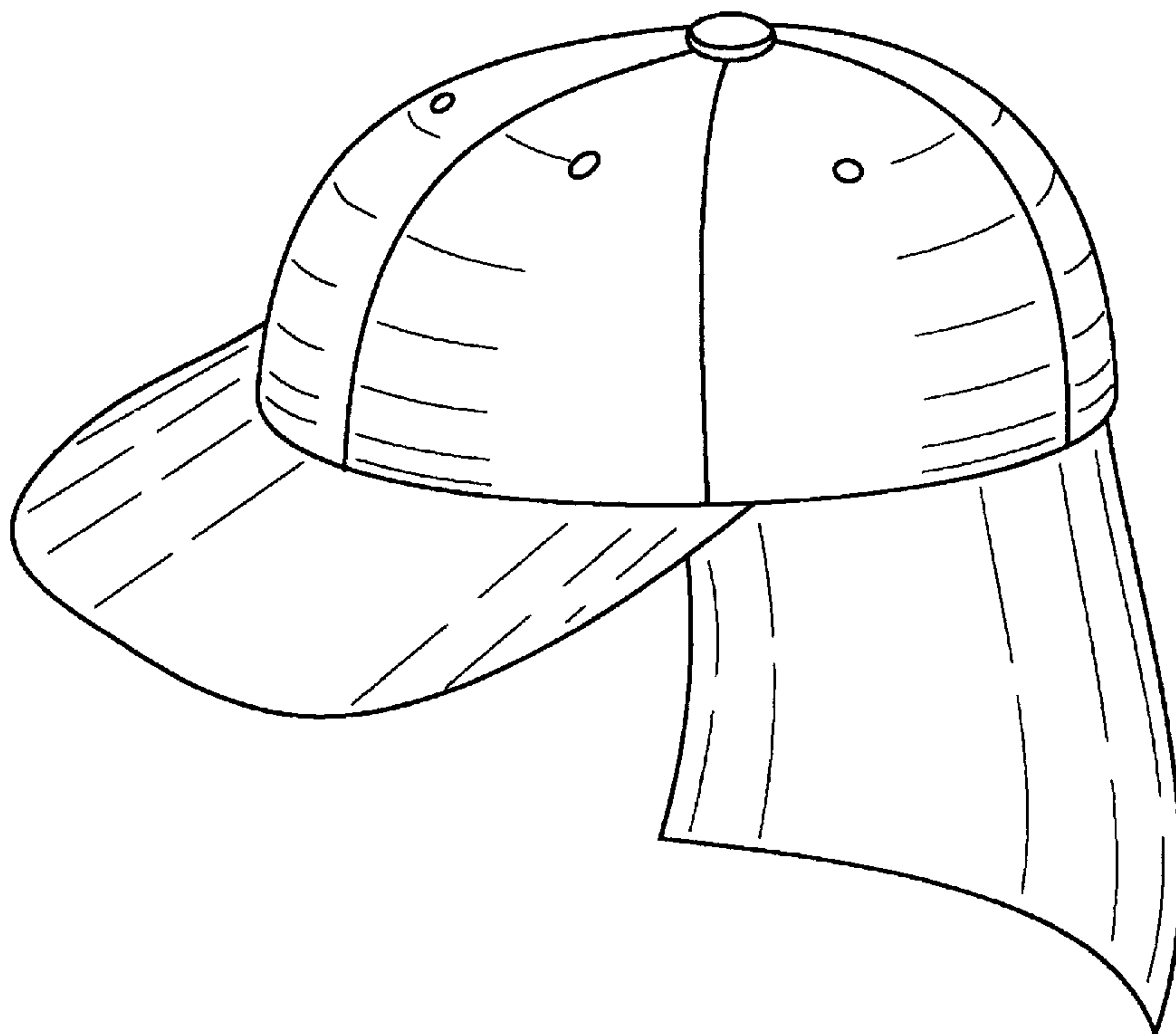


Fig. 22

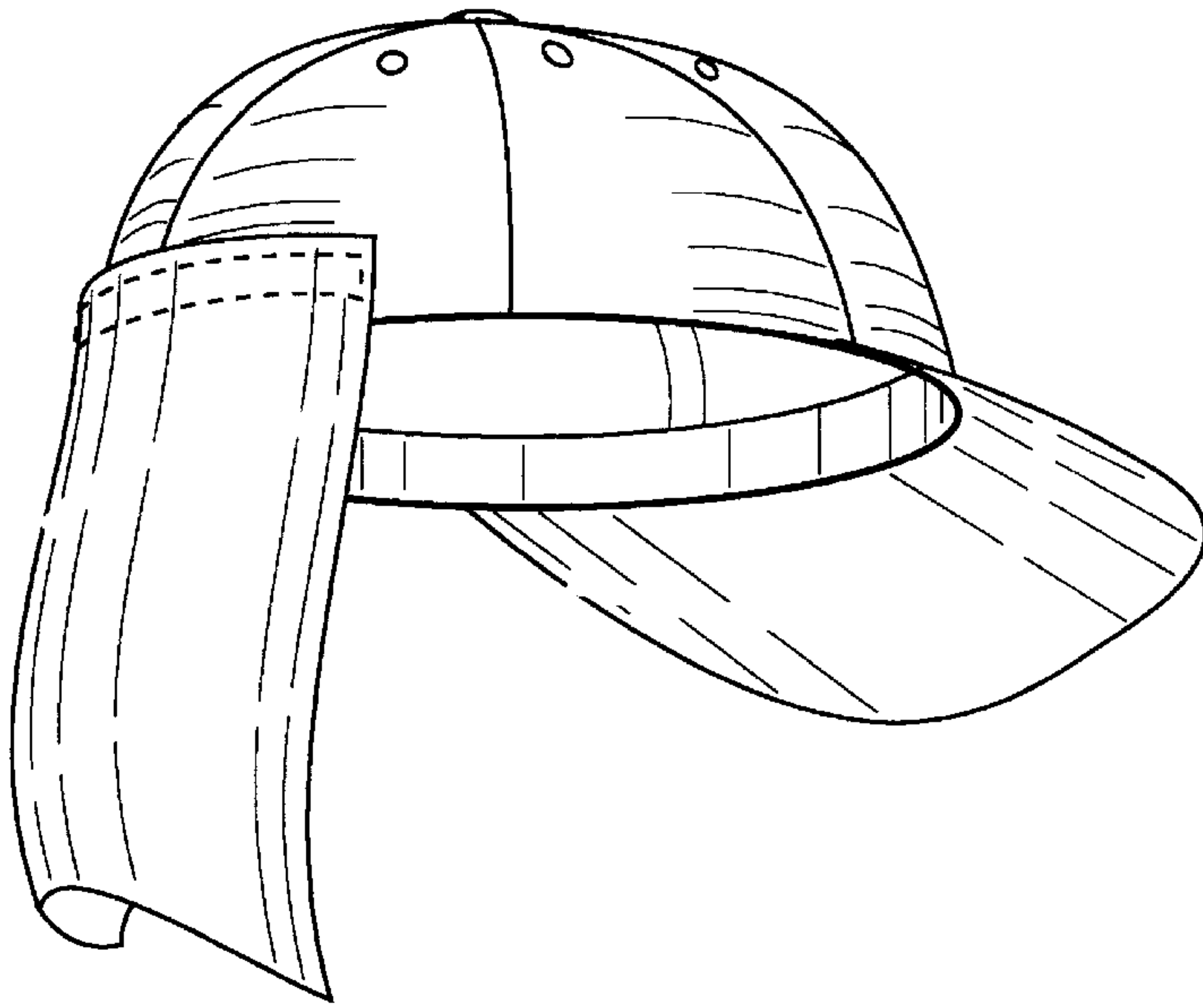


Fig. 23

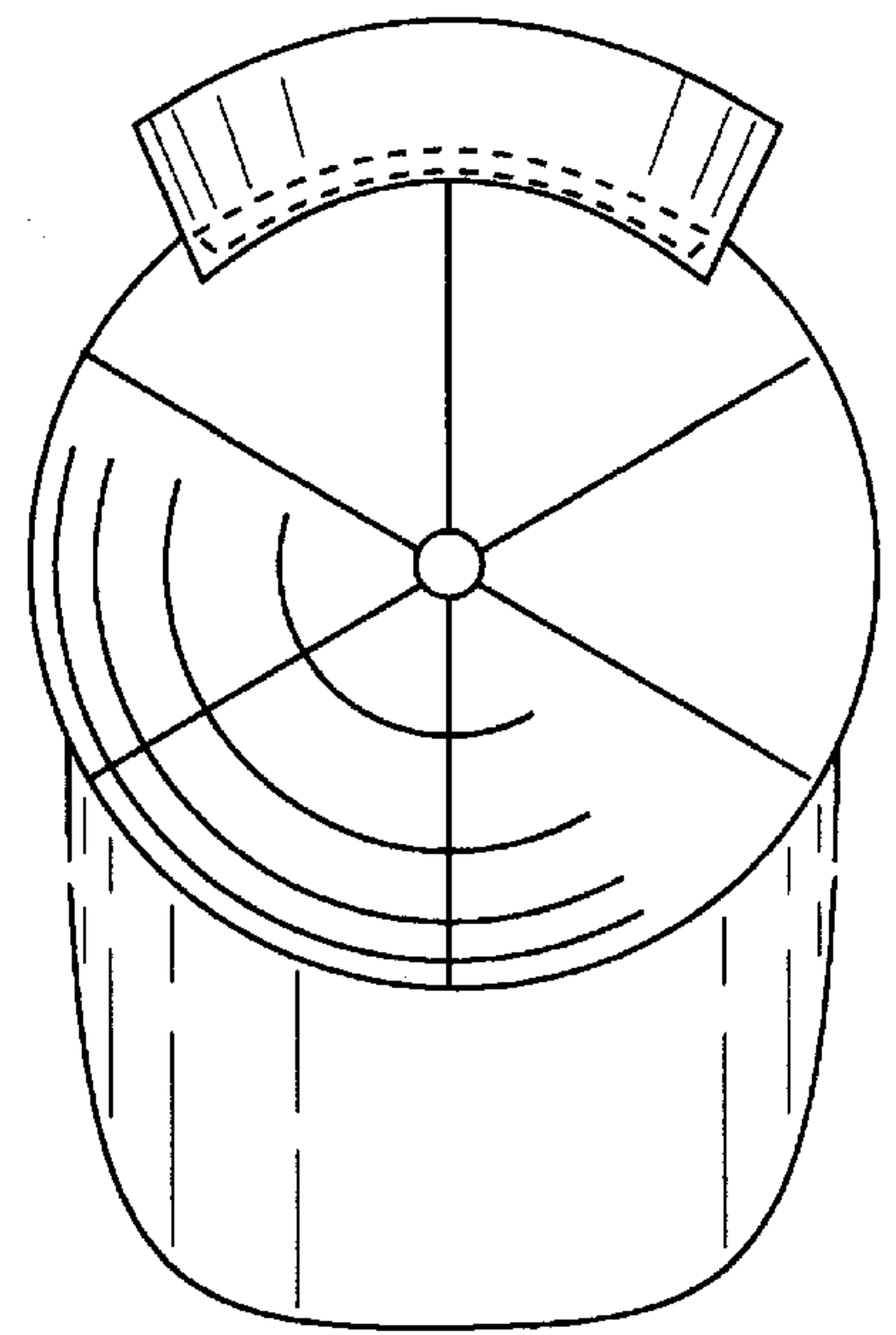


Fig. 29

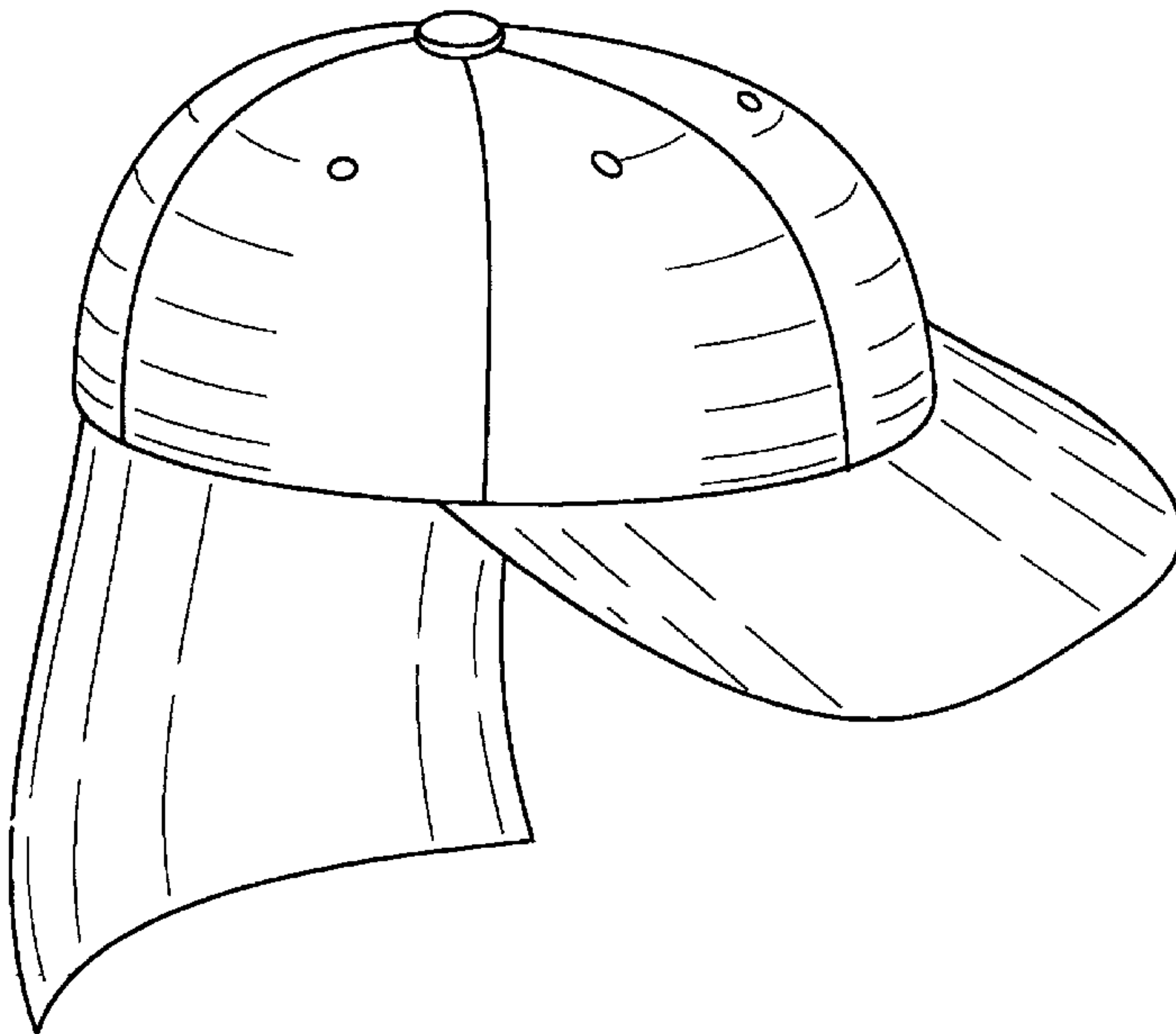


Fig. 24

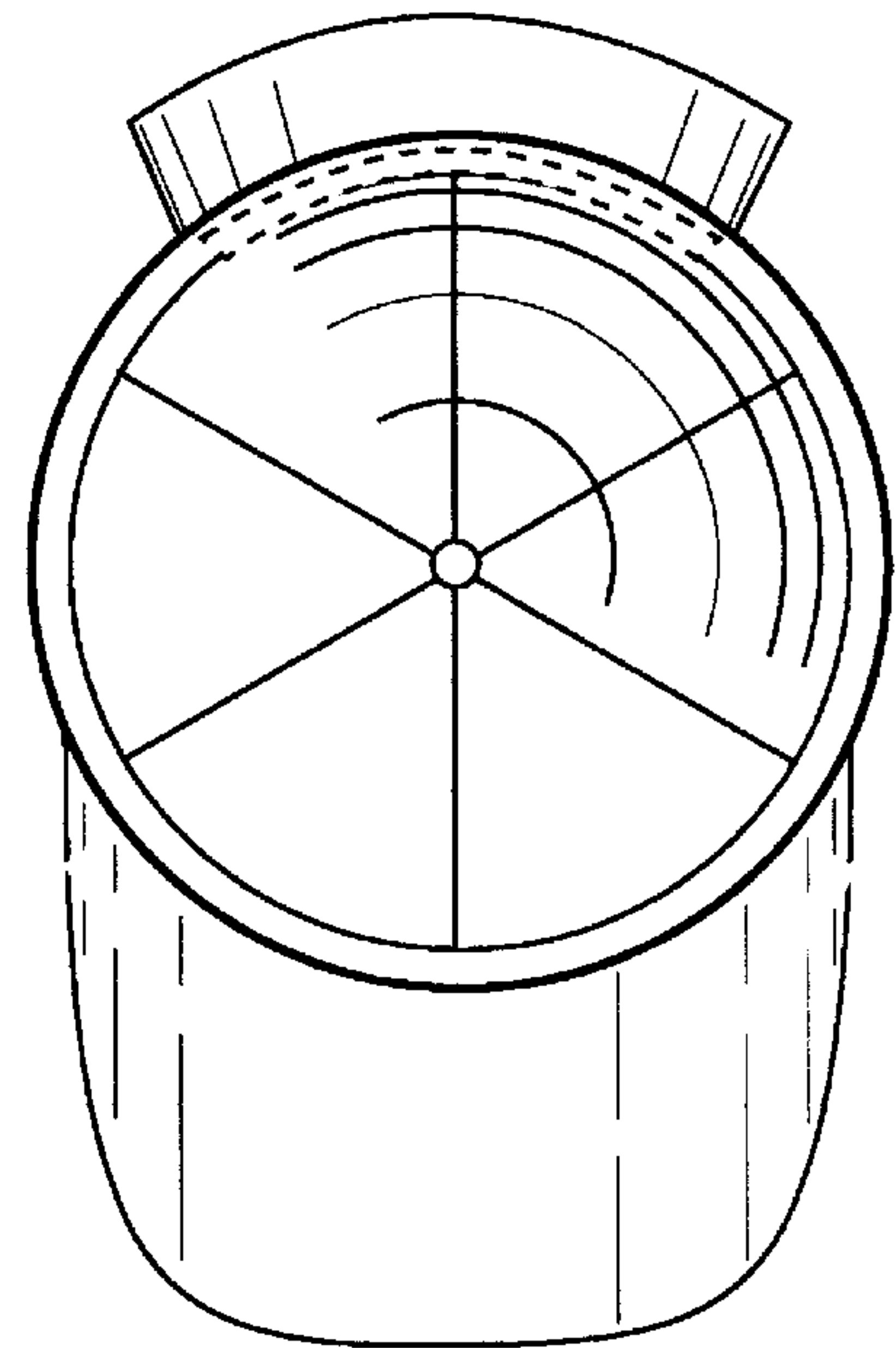


Fig. 30

Velcro

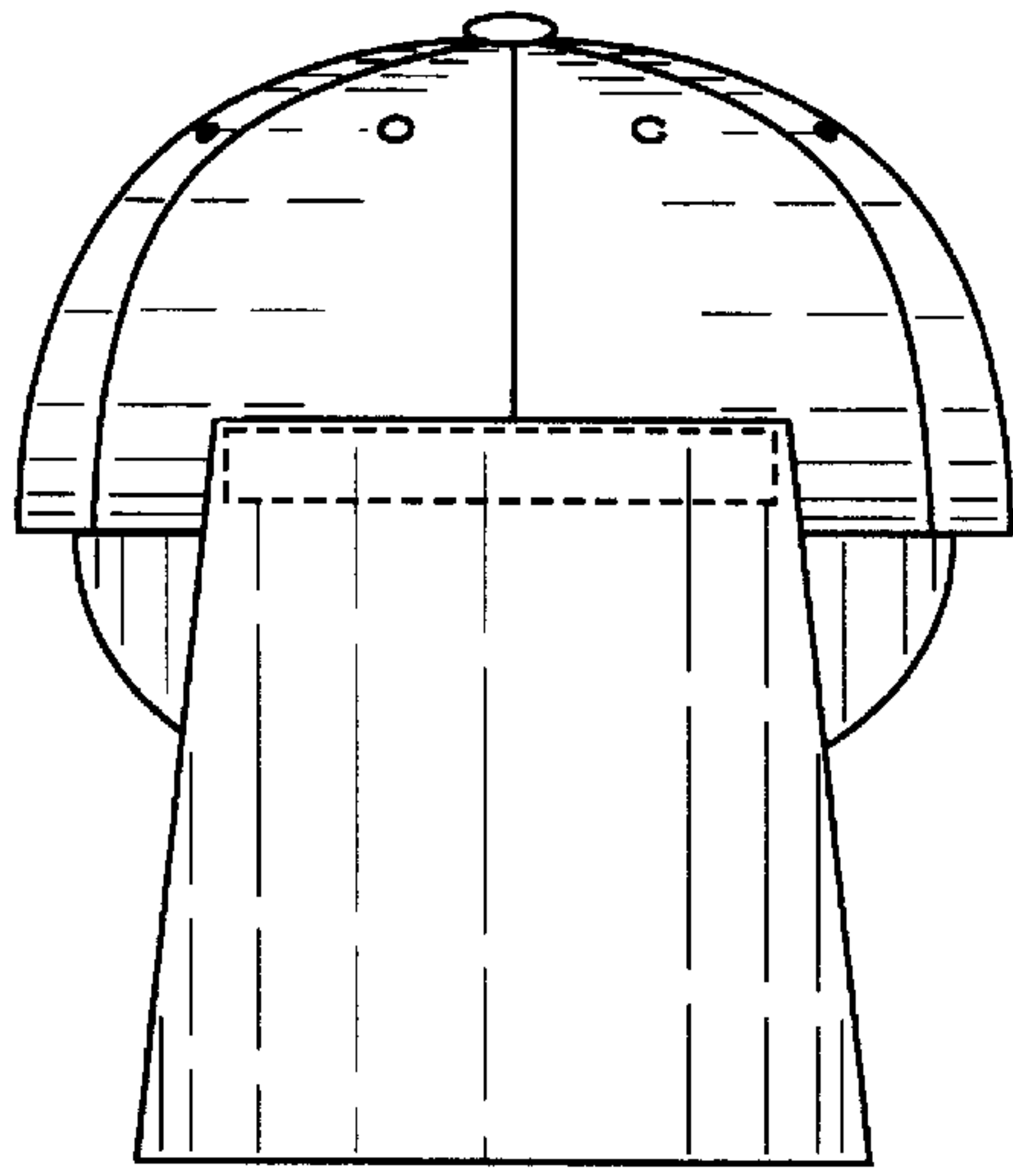


Fig. 25

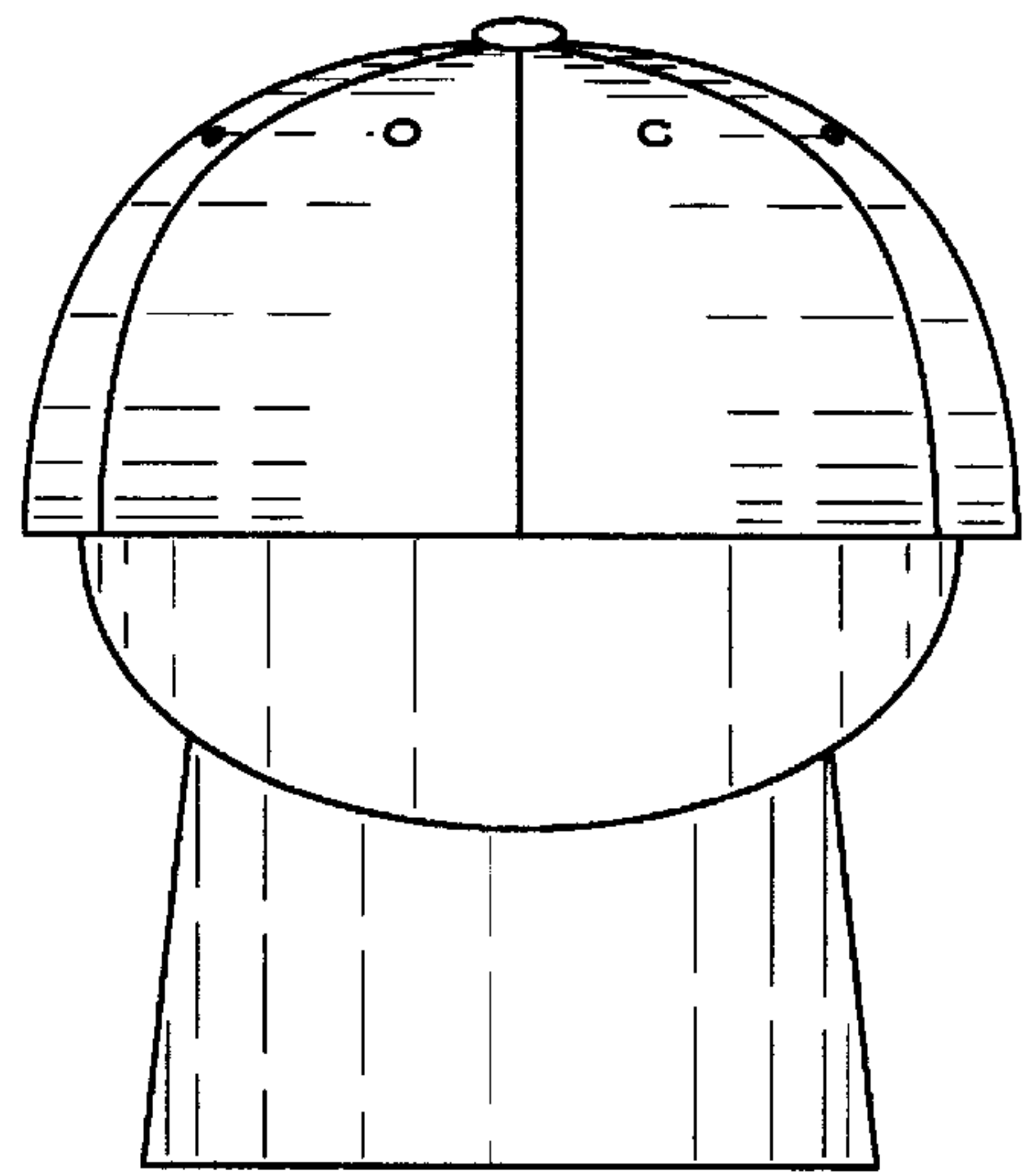


Fig. 26

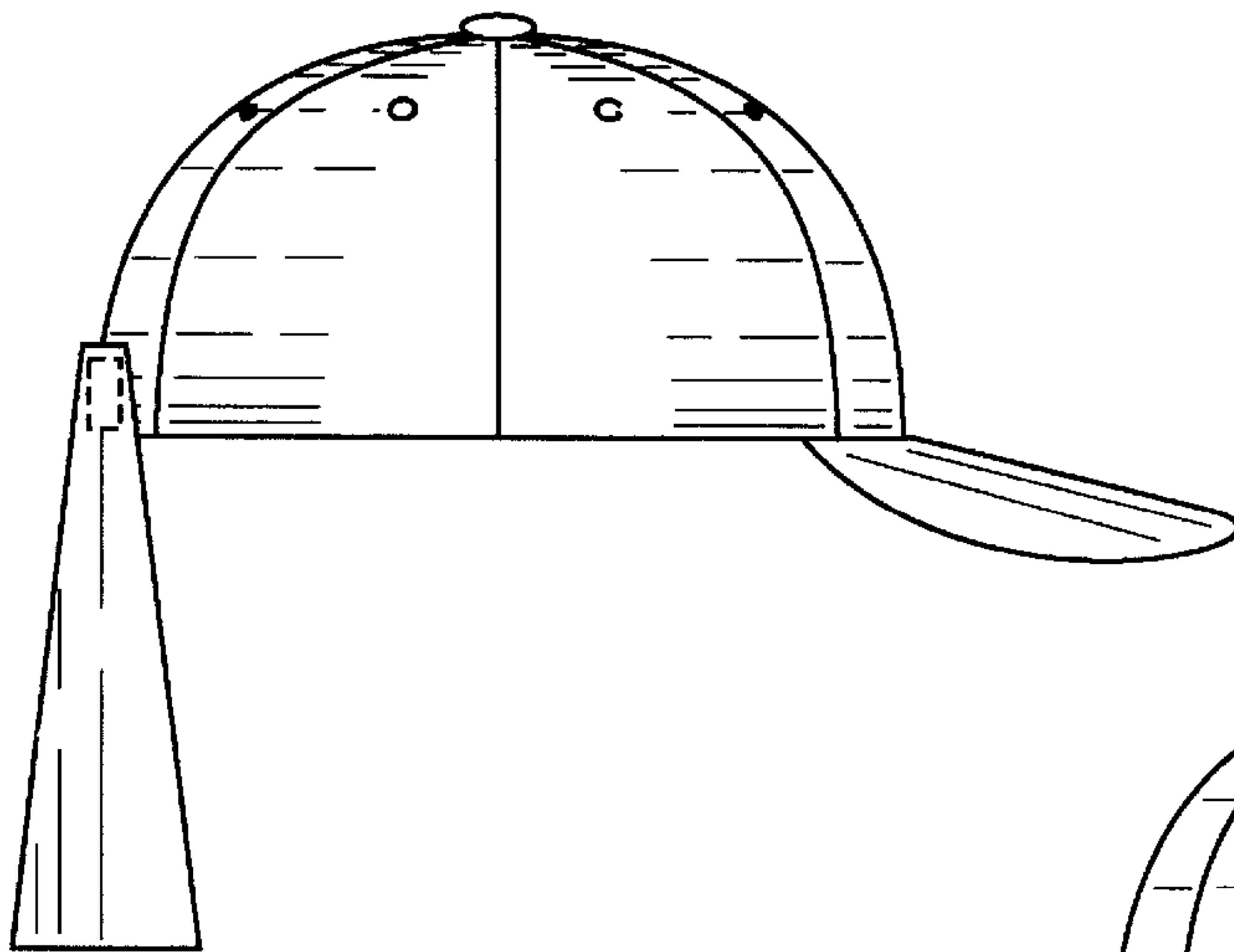


Fig. 27

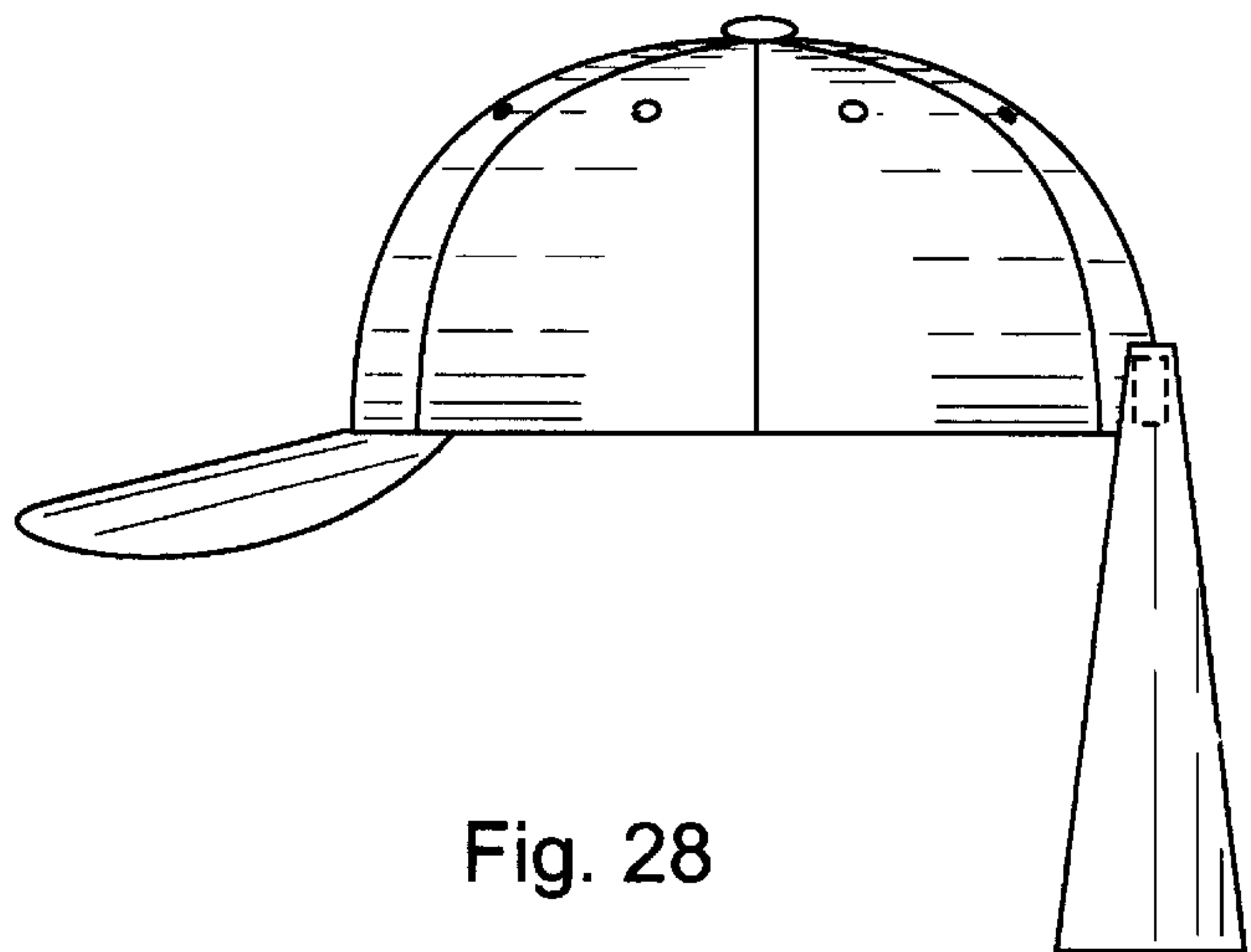


Fig. 28