



US00D420489S

United States Patent [19]
Walker

[11] **Patent Number: Des. 420,489**

[45] **Date of Patent: ** Feb. 15, 2000**

[54] **KNOTLESS NECK TIE**
[75] Inventor: **Dinzel Lee Walker**, Fort Worth, Tex.
[73] Assignee: **Dinzel Lee Walker, Sr.**, Fort Worth, Tex.
[**] Term: **14 Years**

1,949,606 3/1934 Franke 2/151
2,411,753 11/1946 Pfau 2/148
2,411,907 12/1946 Taborski 2/150
3,276,037 10/1966 Engle-Haupt D2/605 X
5,042,087 8/1991 Lewis 2/52

Primary Examiner—Paula A. Mortimer

[21] Appl. No.: **29/099,539**
[22] Filed: **Jan. 22, 1999**

[57] **CLAIM**

The ornamental design for a knotless neck tie, as shown and described.

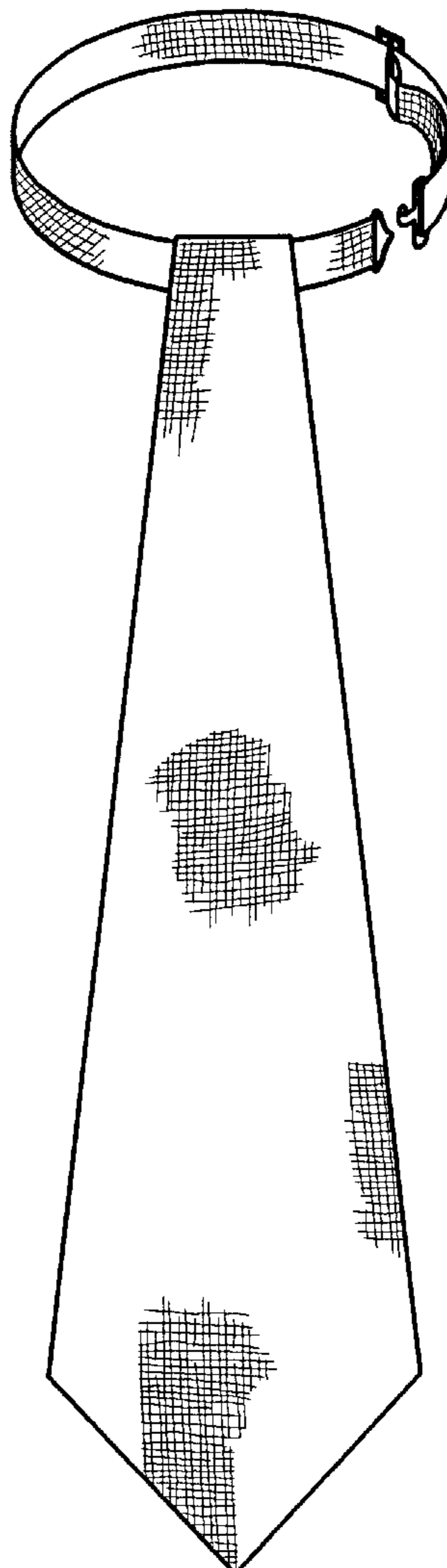
[51] **LOC (7) Cl.** **02-05**
[52] **U.S. Cl.** **D2/605**
[58] **Field of Search** D2/600, 602, 605,
D2/500; 2/144, 145, 146, 148, 155, 150,
156, 151, 92, 46, 52, 48

DESCRIPTION

FIG. 1 is a front view of a knotless neck tie showing my new design;
FIG. 2 is a rear elevational view thereof;
FIG. 3 is a side view thereof;
FIG. 4 is an enlarged front elevational view, the front flap is drawn broken away for ease of illustration;
FIG. 5 is a side elevational view thereof, the necktie band is drawn broken away for ease of illustration; and,
FIG. 6 is an opposite side elevational view thereof.

[56] **References Cited**
U.S. PATENT DOCUMENTS
D. 318,754 8/1991 Hughes D2/605
D. 320,499 10/1991 White et al. D2/605

1 Claim, 2 Drawing Sheets



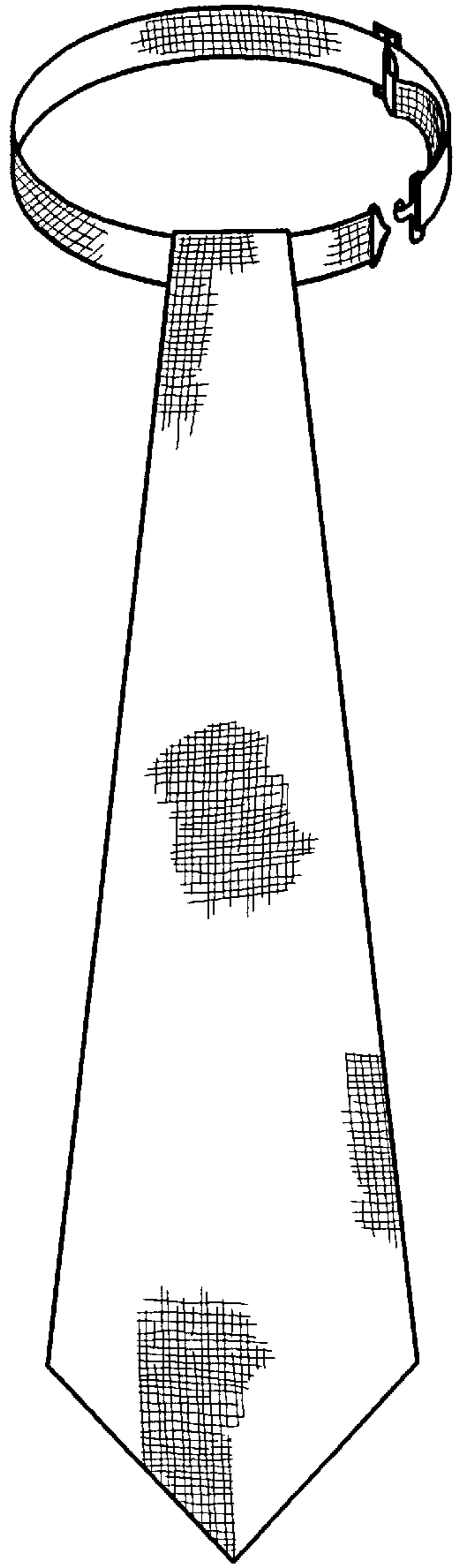


Fig. 1

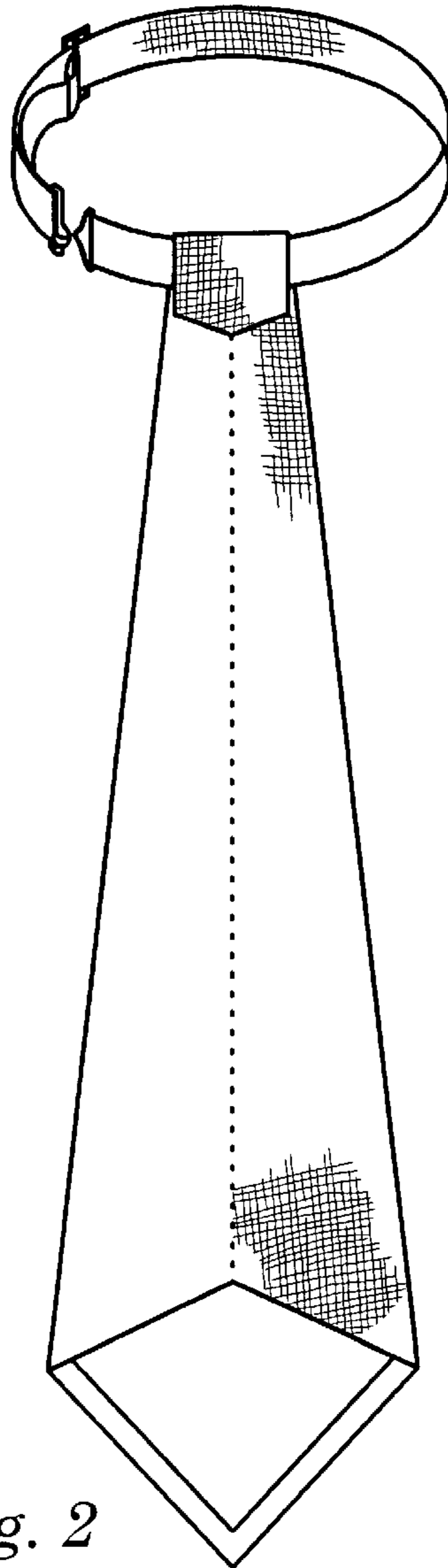


Fig. 2

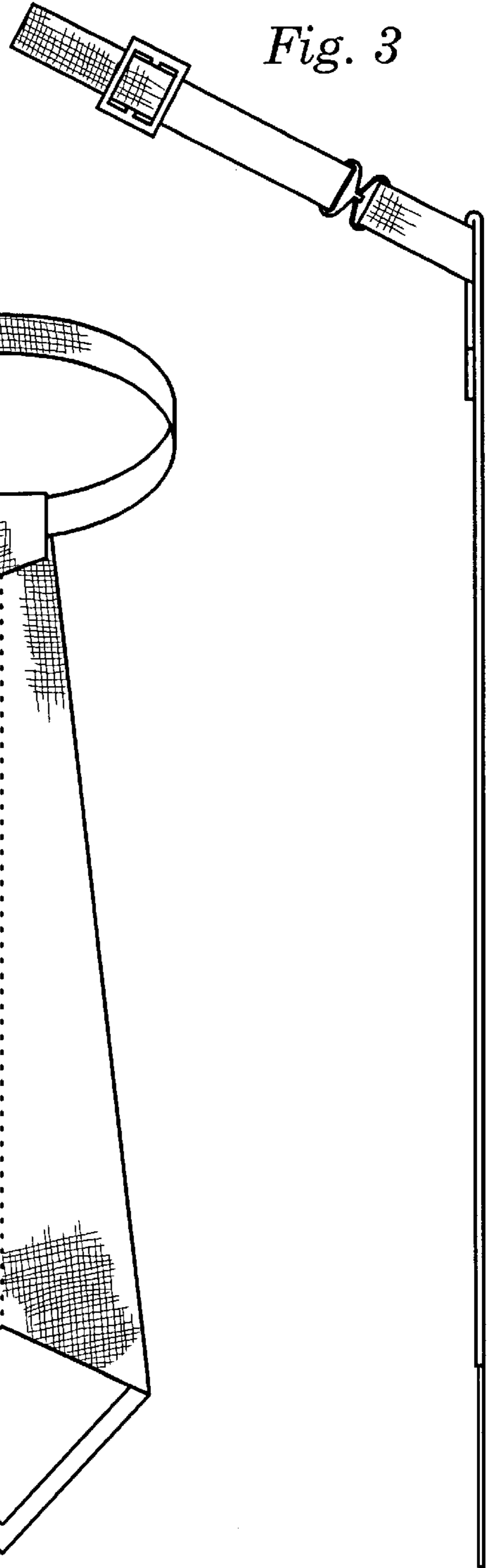


Fig. 3

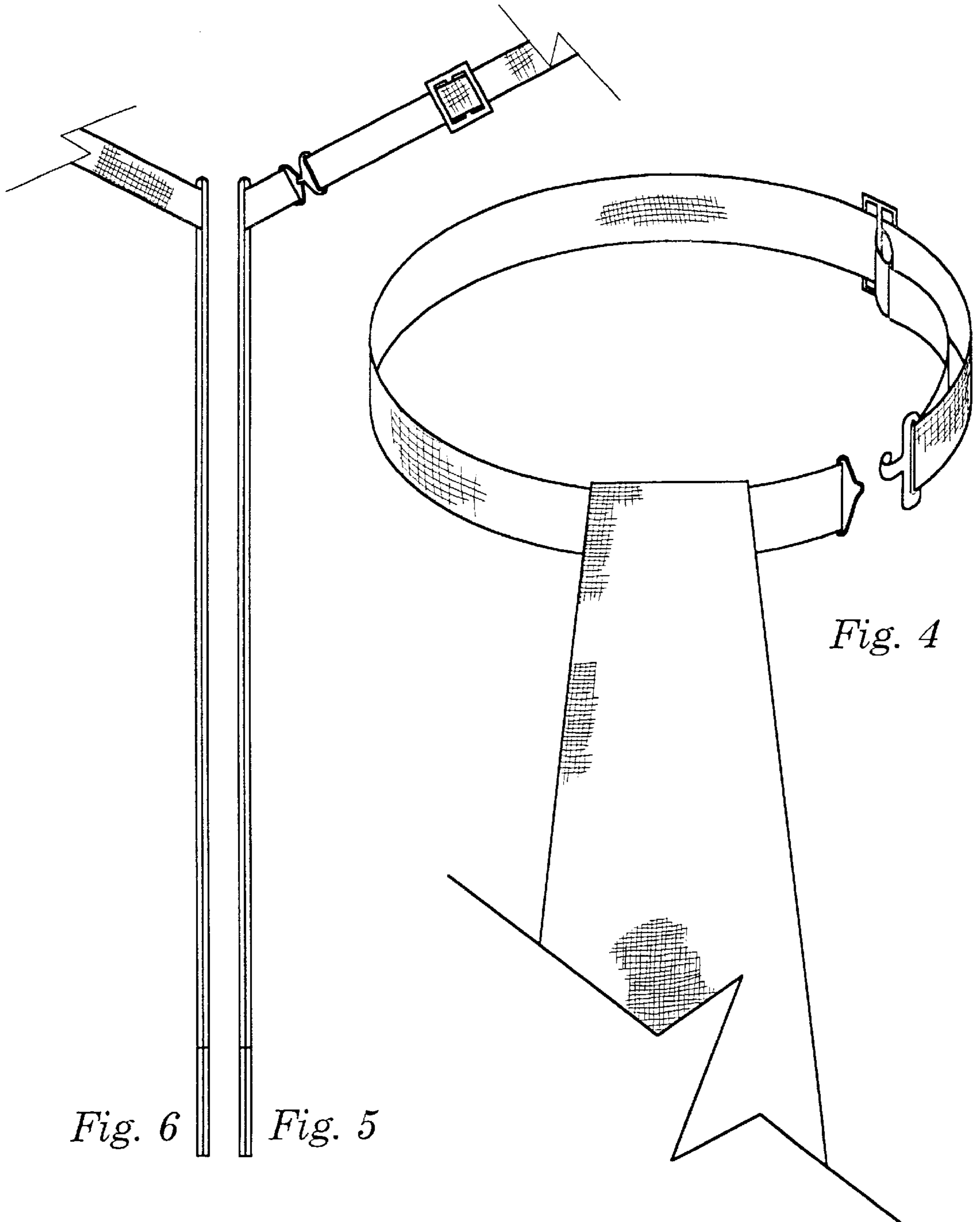


Fig. 6

Fig. 5

Fig. 4