



US00D420487S

United States Patent [19] Swaine

[11] **Patent Number: Des. 420,487**

[45] **Date of Patent: ** Feb. 8, 2000**

[54] **SELF SERVICE TERMINAL**

[75] Inventor: **Stephen Swaine**, Auchterarder, United Kingdom

[73] Assignee: **NCR Corporation**, Dayton, Ohio

[**] Term: **14 Years**

[21] Appl. No.: **29/103,580**

[22] Filed: **Apr. 16, 1999**

[30] Foreign Application Priority Data

Nov. 11, 1998 [GB] United Kingdom 2079096

[51] **LOC (7) Cl.** **20-01**

[52] **U.S. Cl.** **D99/28; D20/10**

[58] **Field of Search** D99/28, 35, 36,
D99/37, 41, 42; D20/10, 19; 194/350; 109/24.1;
235/379; D25/16; D14/100, 102, 106, 113,
130

[56] References Cited

U.S. PATENT DOCUMENTS

D. 324,701 3/1992 Capps D20/19

D. 335,746	5/1993	North	D99/28
D. 339,167	9/1993	Pearlson	D20/10
D. 378,534	3/1997	Kato et al.	D20/10
D. 379,375	5/1997	Bowman	D20/10
D. 394,458	5/1998	Watanabe et al.	D20/10
D. 402,782	12/1998	Johnson	D99/28
D. 407,755	4/1999	Issaiki et al.	D20/10
D. 412,233	7/1999	Cajacob et al.	D99/28

Primary Examiner—Paula A. Mortimer

[57] CLAIM

The ornamental design for a self service terminal, as shown and described.

DESCRIPTION

FIG. 1 is a front view of a self service terminal showing my new design;
FIG. 2 is a right side view;
FIG. 3 is a left side view;
FIG. 4 is a top view; and,
FIG. 5 is a right front perspective view.

1 Claim, 5 Drawing Sheets

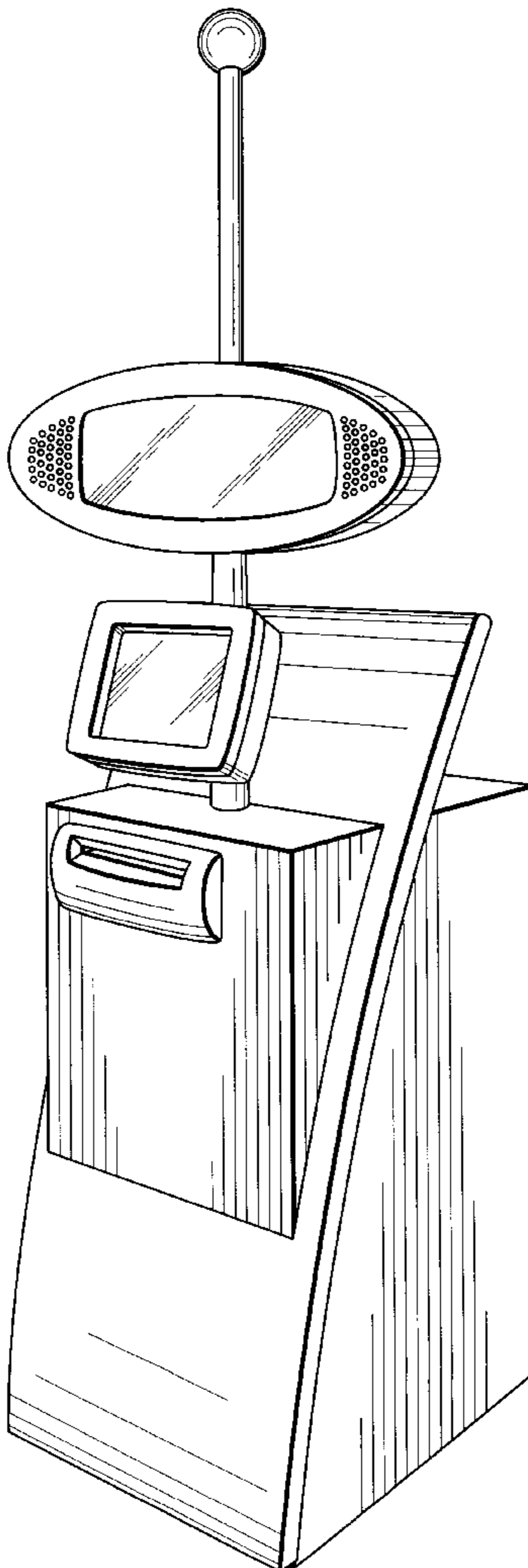


FIG. 1

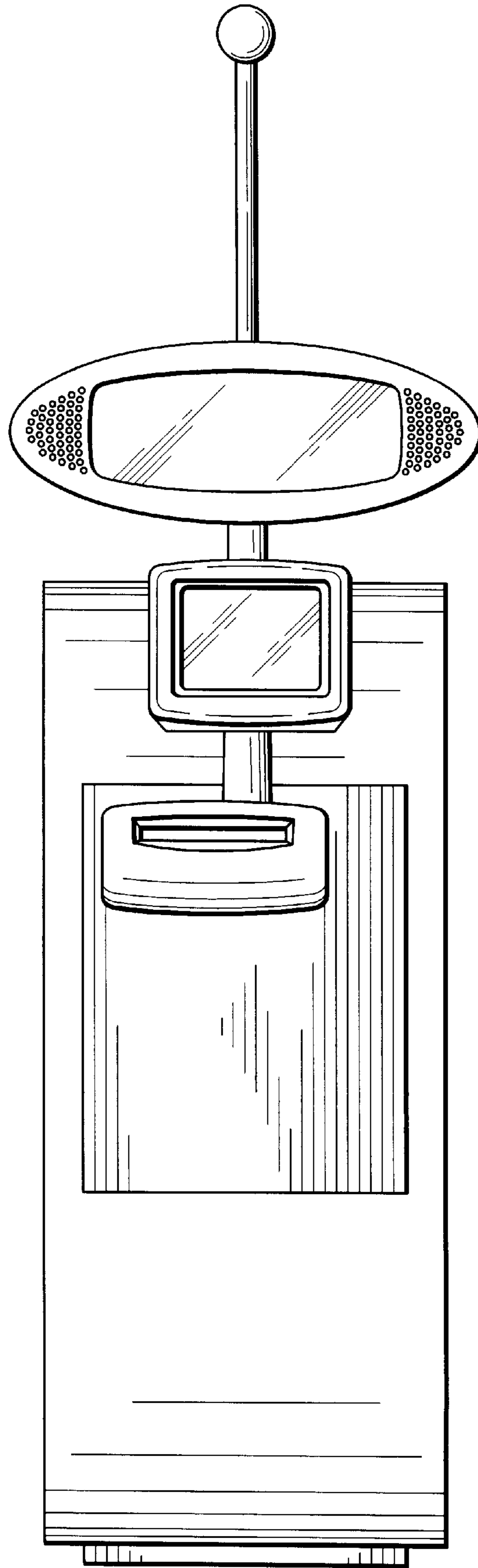


FIG. 2

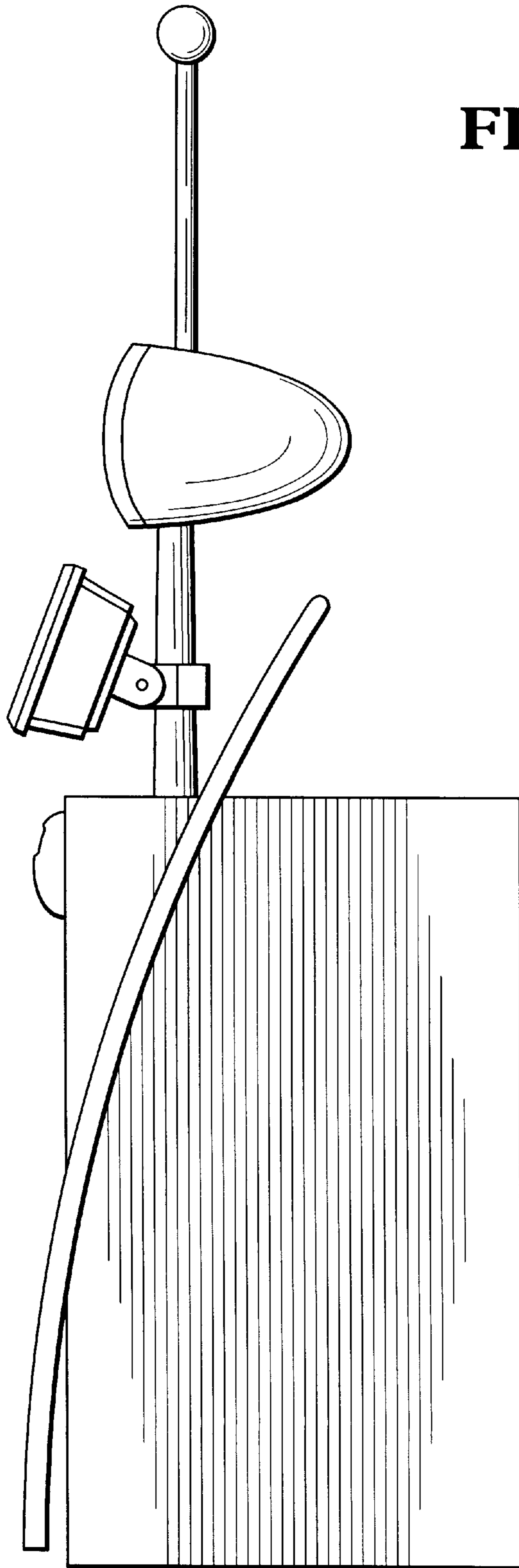


FIG. 3

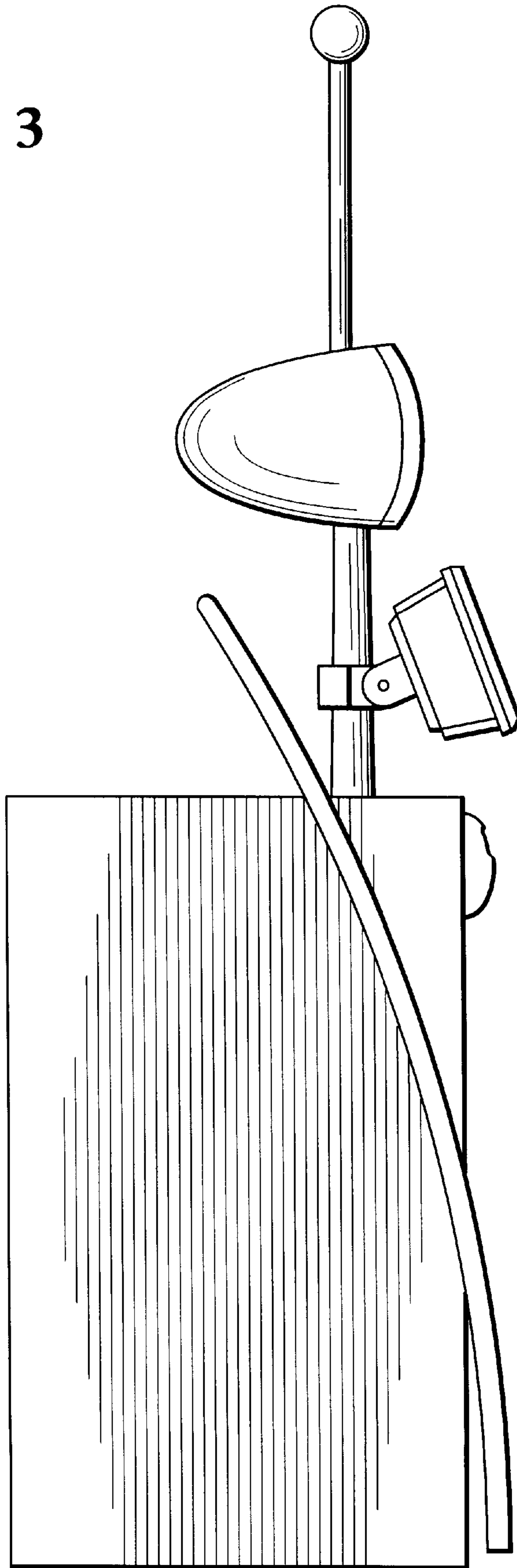
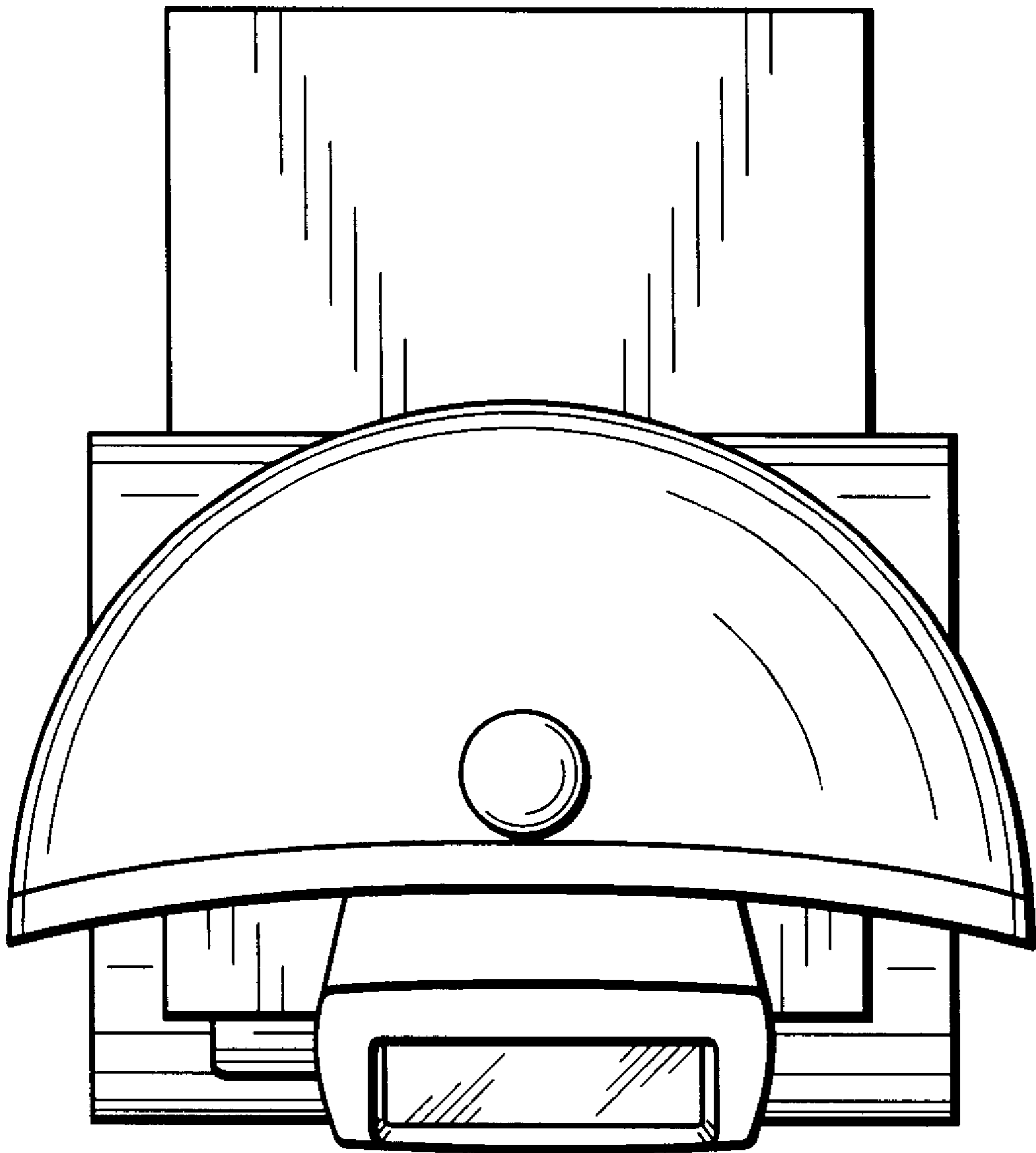


FIG. 4



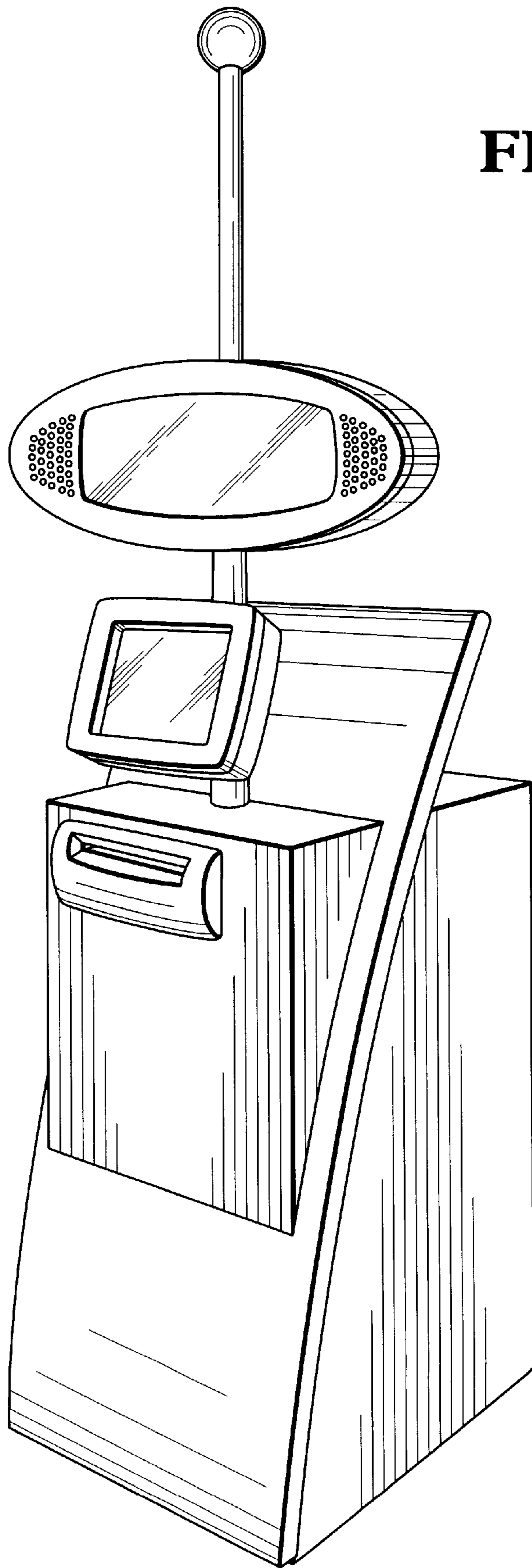


FIG. 5