



US00D420486S

United States Patent [19] Cummings

[11] Patent Number: **Des. 420,486**

[45] Date of Patent: **** Feb. 8, 2000**

[54] **CASKET**

[75] Inventor: **Kenneth E. Cummings**, Mississauga, Canada

[73] Assignee: **Castek Environmental Products Inc.**, Richmond Hill, Canada

[**] Term: **14 Years**

[21] Appl. No.: **29/100,436**

[22] Filed: **Feb. 11, 1999**

[30] Foreign Application Priority Data

Aug. 12, 1998 [CA] Canada 1998-1949

[51] **LOC (7) Cl.** **99-00**

[52] **U.S. Cl.** **D99/1**

[58] **Field of Search** D99/1, 2, 4, 6, D99/7, 8, 11; 27/1, 2, 3, 4, 5, 6, 7, 8, 9

[56] References Cited

U.S. PATENT DOCUMENTS

- D. 107,324 12/1937 Schnelker D99/7
- D. 112,054 11/1938 Christian D99/7
- D. 183,868 11/1958 Wallace D99/1
- D. 187,268 2/1960 Duke D99/1
- D. 200,619 3/1965 Stepek D99/7 X
- D. 355,747 2/1995 Tobin D99/1
- D. 374,960 10/1996 Tobin D99/1
- 1,780,171 11/1930 Clarke 27/2
- 2,655,712 10/1953 Glassner 27/2

- 3,490,114 1/1970 Connelly et al. 27/2
- 3,781,948 1/1974 Pitt 27/17
- 3,944,267 3/1976 Sundquist D99/7
- 4,253,220 3/1981 Work .
- 4,320,562 3/1982 Kelley .
- 4,800,631 1/1989 Pellmann .
- 4,890,366 1/1990 Schaapveld .
- 5,222,281 6/1993 Guérin .

OTHER PUBLICATIONS

- York "Stainless Steel" brochure—8 pages, undated.
- York "Steel Caskets" brochure—8 pages, undated.
- York "Precious Metals" brochure—8 pages, undated.
- York "Hardwood Caskets" brochure—8 pages, undated.

Primary Examiner—Paula A. Mortimer
Attorney, Agent, or Firm—Trevor C. Klotz

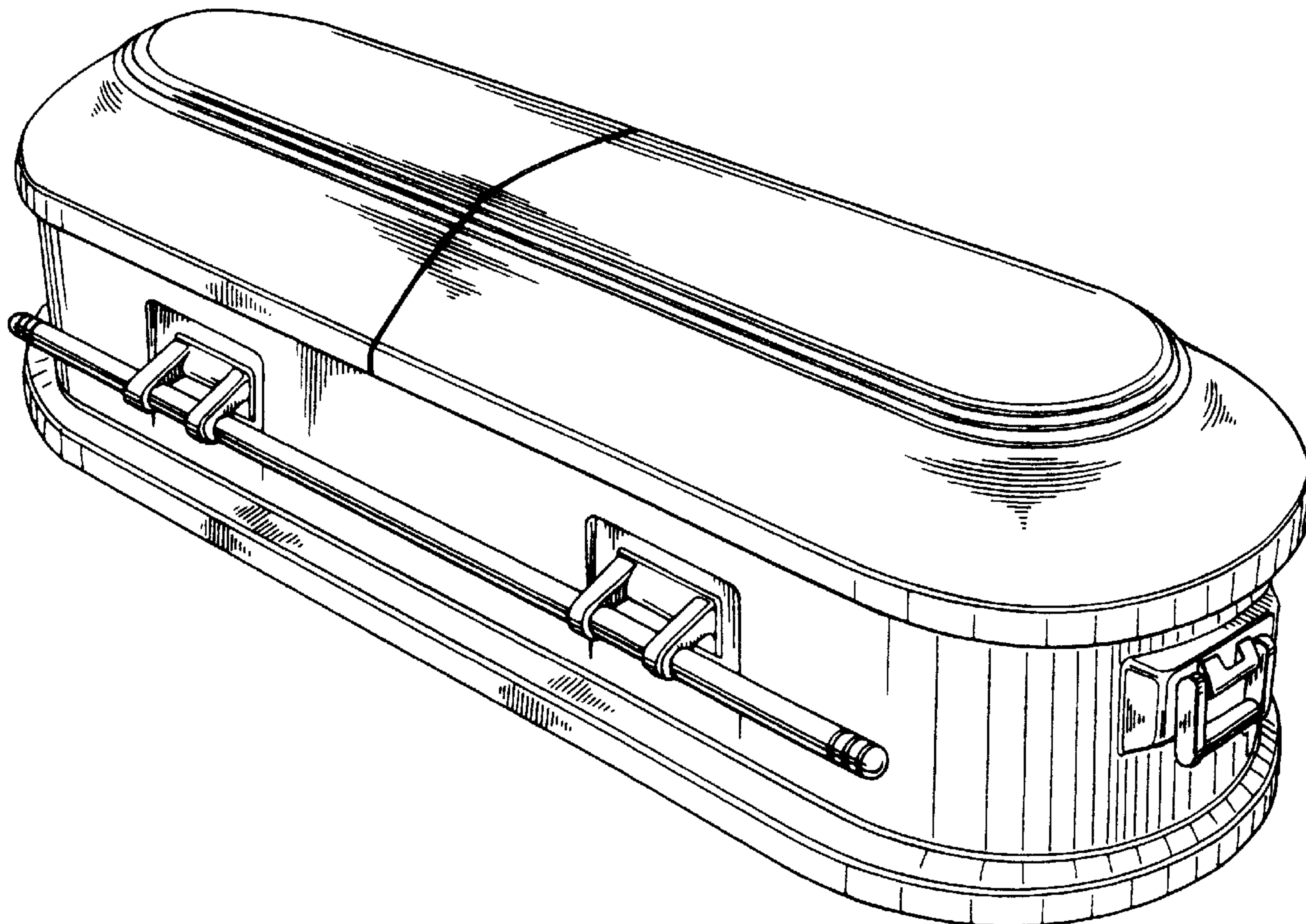
[57] CLAIM

I claim the ornamental design for a casket, as shown.

DESCRIPTION

- FIG. 1 is a front perspective view taken from the right side showing my new design;
- FIG. 2 is a top plan view of the design;
- FIG. 3 is a bottom plan view of the design;
- FIG. 4 is a front elevation of the design;
- FIG. 5 is a rear elevation of the design;
- FIG. 6 is a left side elevation of the design; and,
- FIG. 7 is a right side elevation of the design.

1 Claim, 4 Drawing Sheets



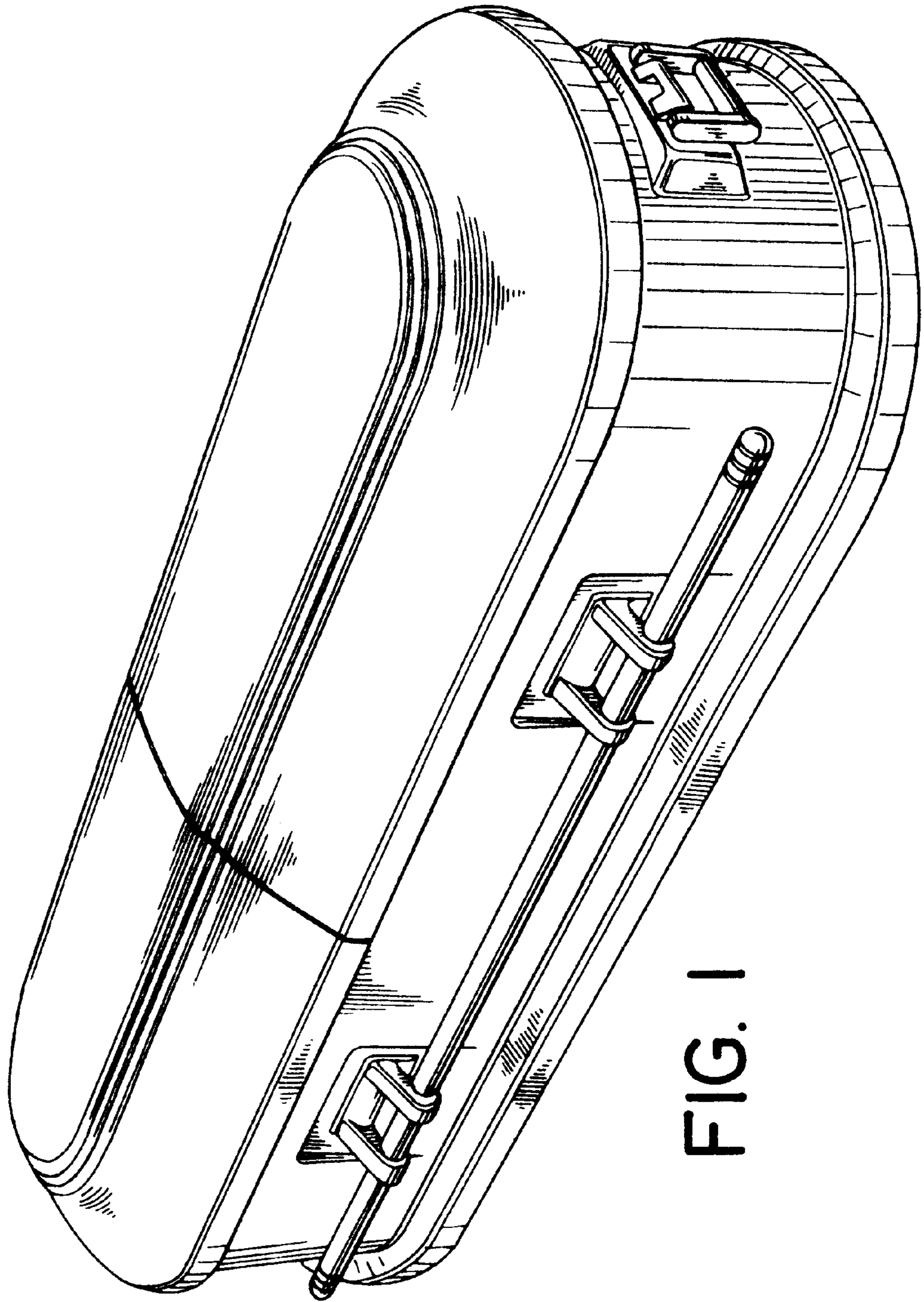


FIG. 1

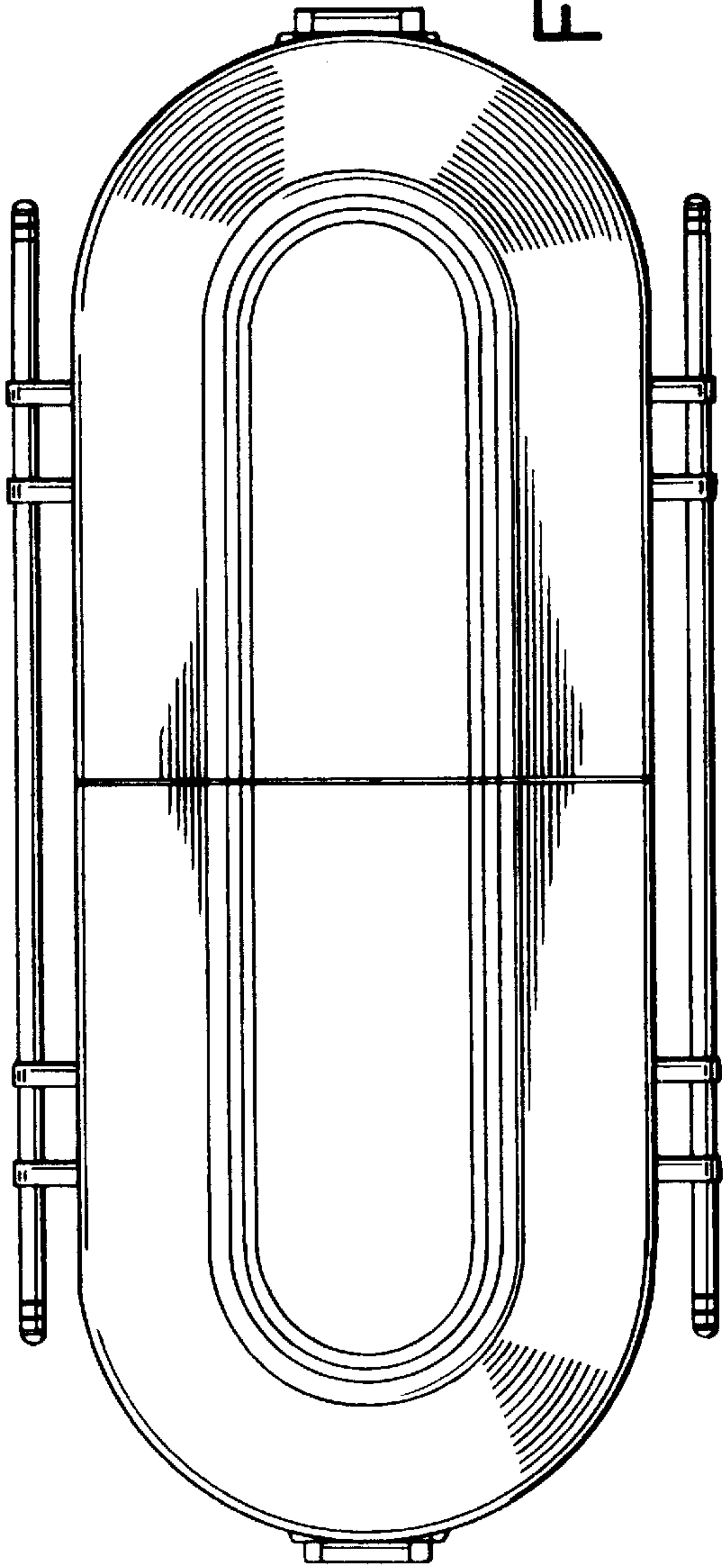


FIG. 2

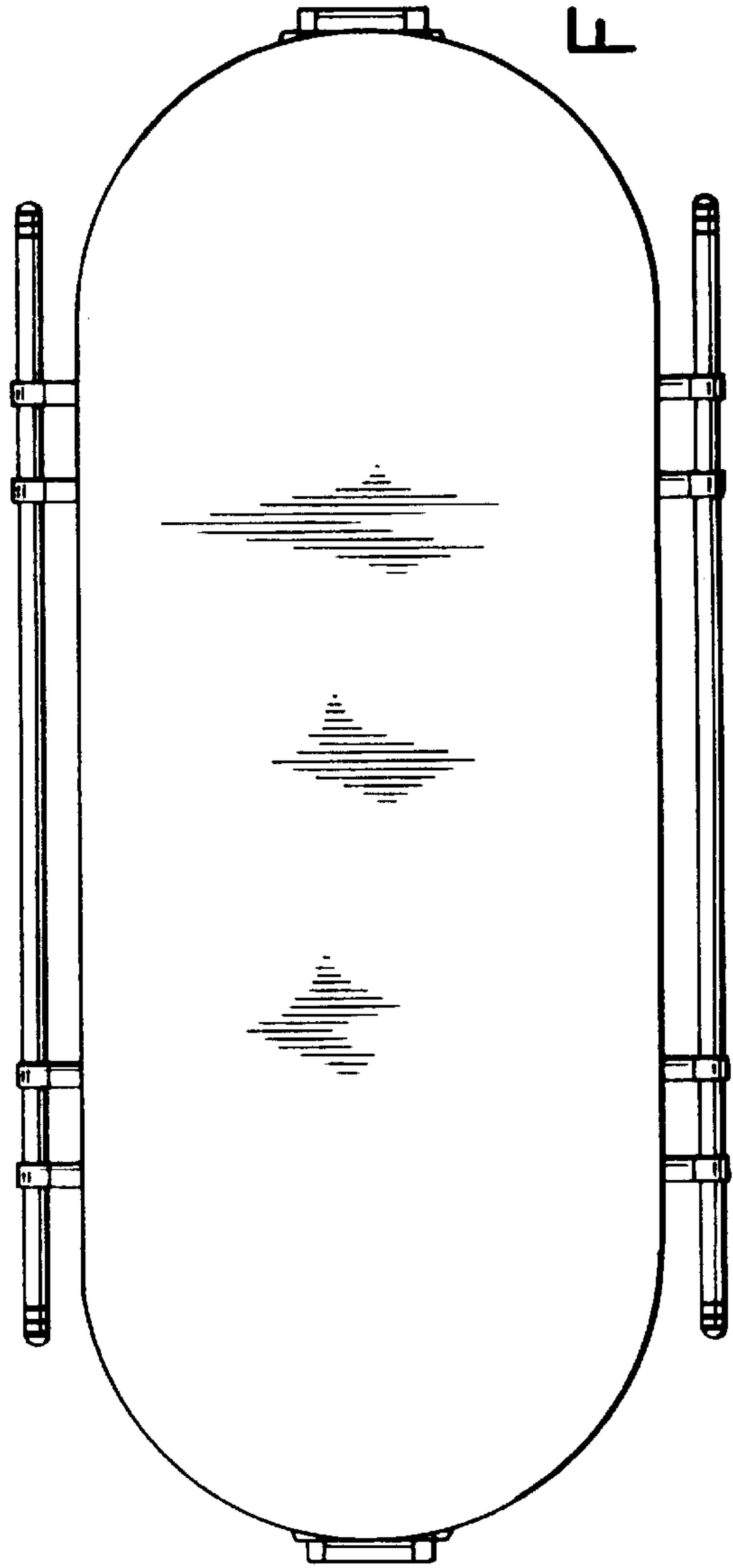


FIG. 3

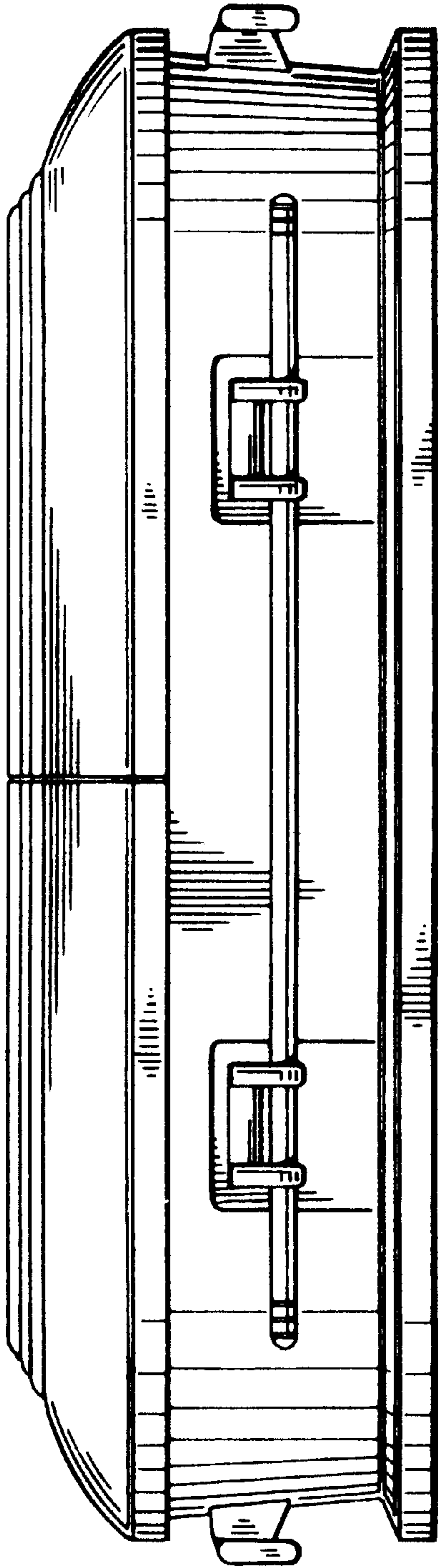


FIG. 4

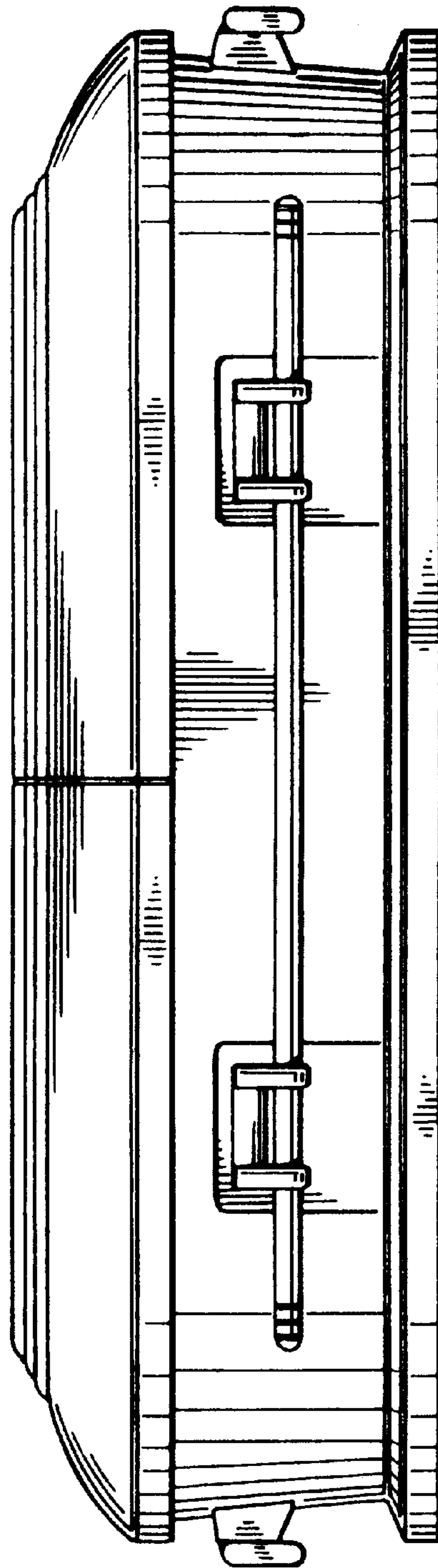


FIG. 5

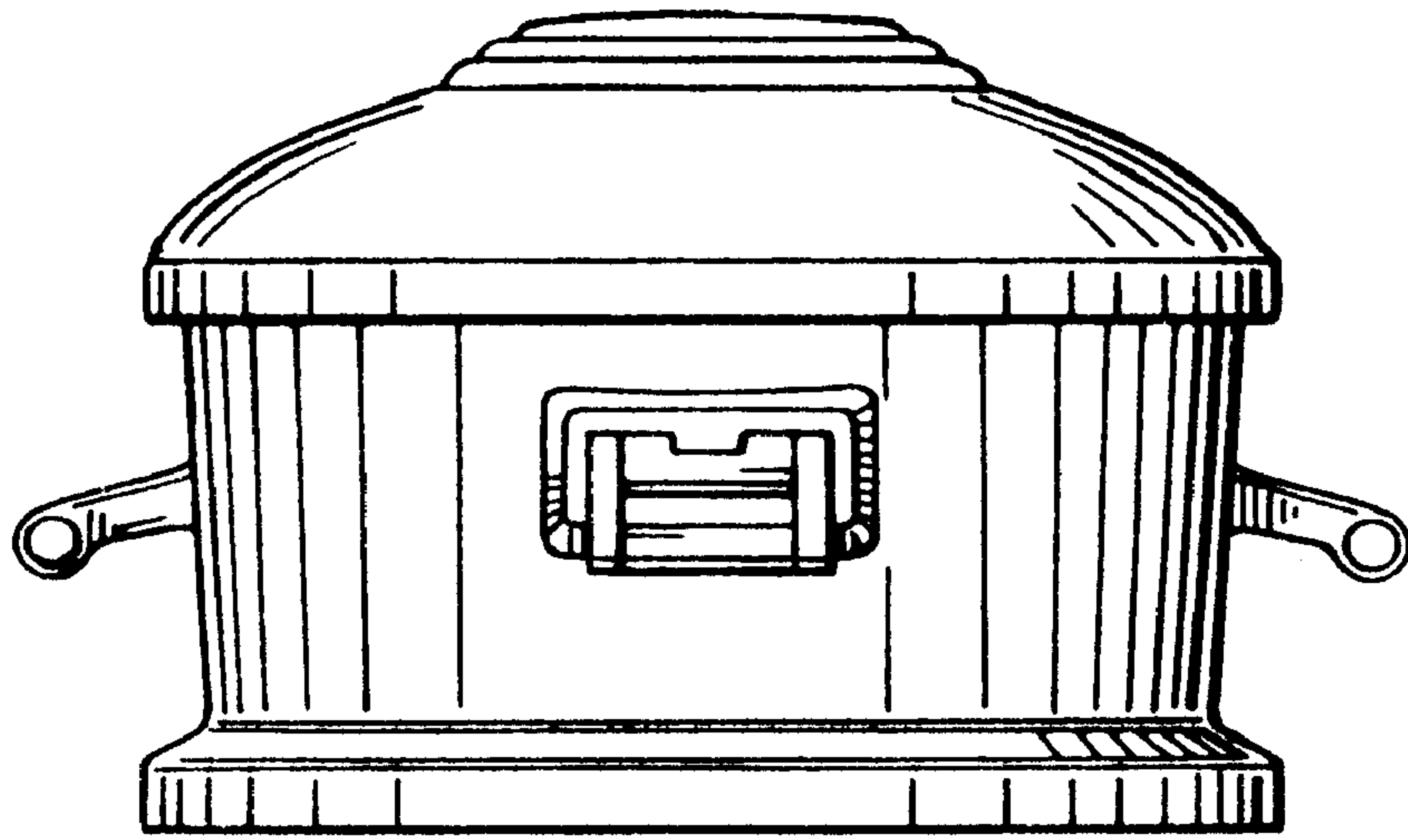


FIG. 6

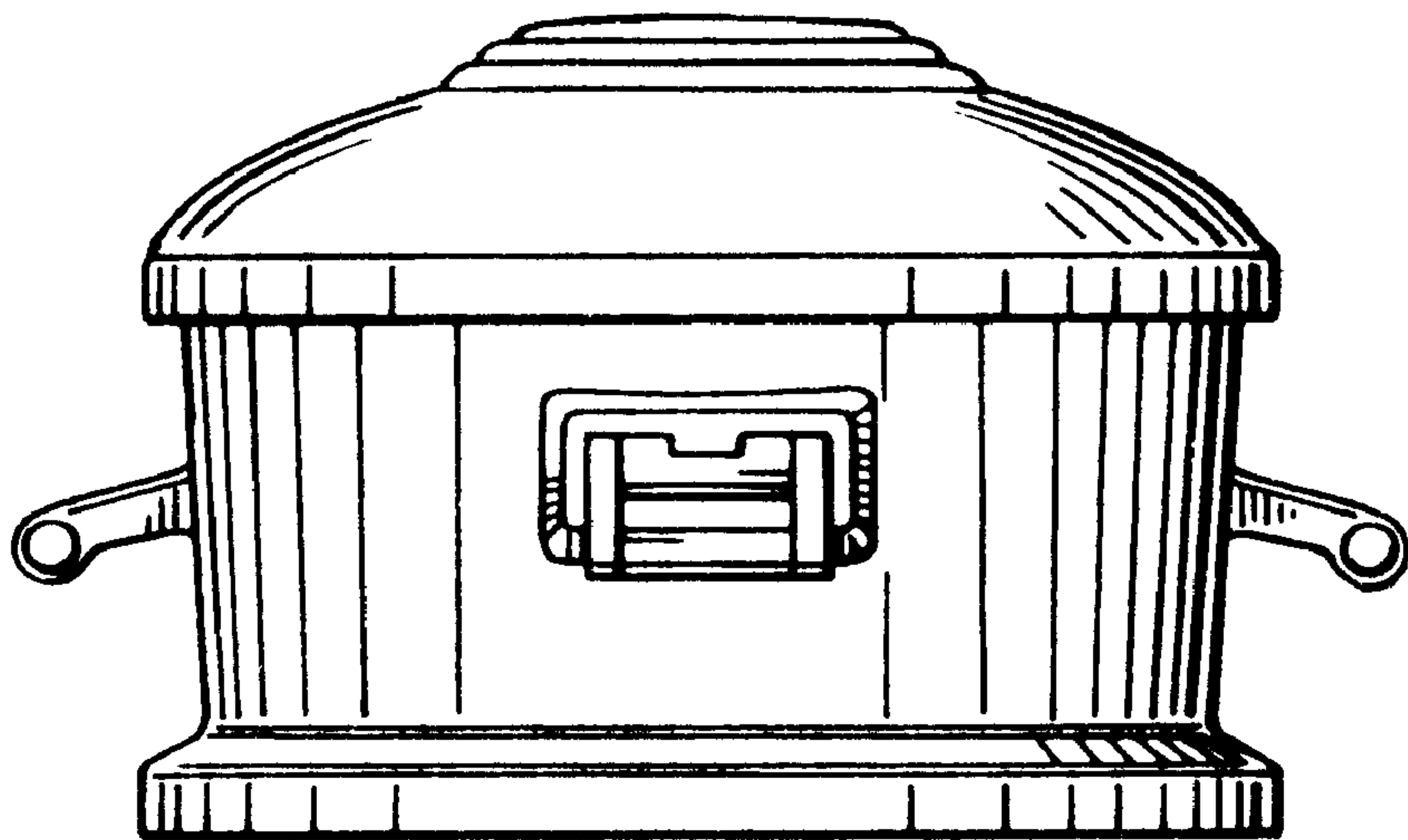


FIG. 7