



US00D420478S

United States Patent [19] Hamilton

[11] **Patent Number: Des. 420,478**

[45] **Date of Patent: ** Feb. 8, 2000**

[54] **DUSTPAN**

[76] Inventor: **Paul M. Hamilton**, 15 Oak Ave., West
Newton, Mass. 02465

[**] Term: **14 Years**

[21] Appl. No.: **29/090,203**

[22] Filed: **Jul. 2, 1998**

[51] **LOC (7) Cl. 07-05**

[52] **U.S. Cl. D32/74**

[58] **Field of Search** D32/74, 46; 15/257.1,
15/257.2, 257.3, 257.4, 257.8, 257.9; D7/693,
688; D8/14

[56] **References Cited**

U.S. PATENT DOCUMENTS

D. 31,183	7/1899	Gerwig	D32/74
D. 182,087	2/1958	Sofro	D32/74
D. 399,105	10/1998	Coady	D8/14

472,371	4/1892	Lees, Jr.	15/257.1
1,346,380	7/1920	Morris	15/257.1
2,812,784	11/1957	Palmer	15/257.2

Primary Examiner—Susan J. Lucas
Assistant Examiner—Cynthia Ramirez
Attorney, Agent, or Firm—William Nitkin

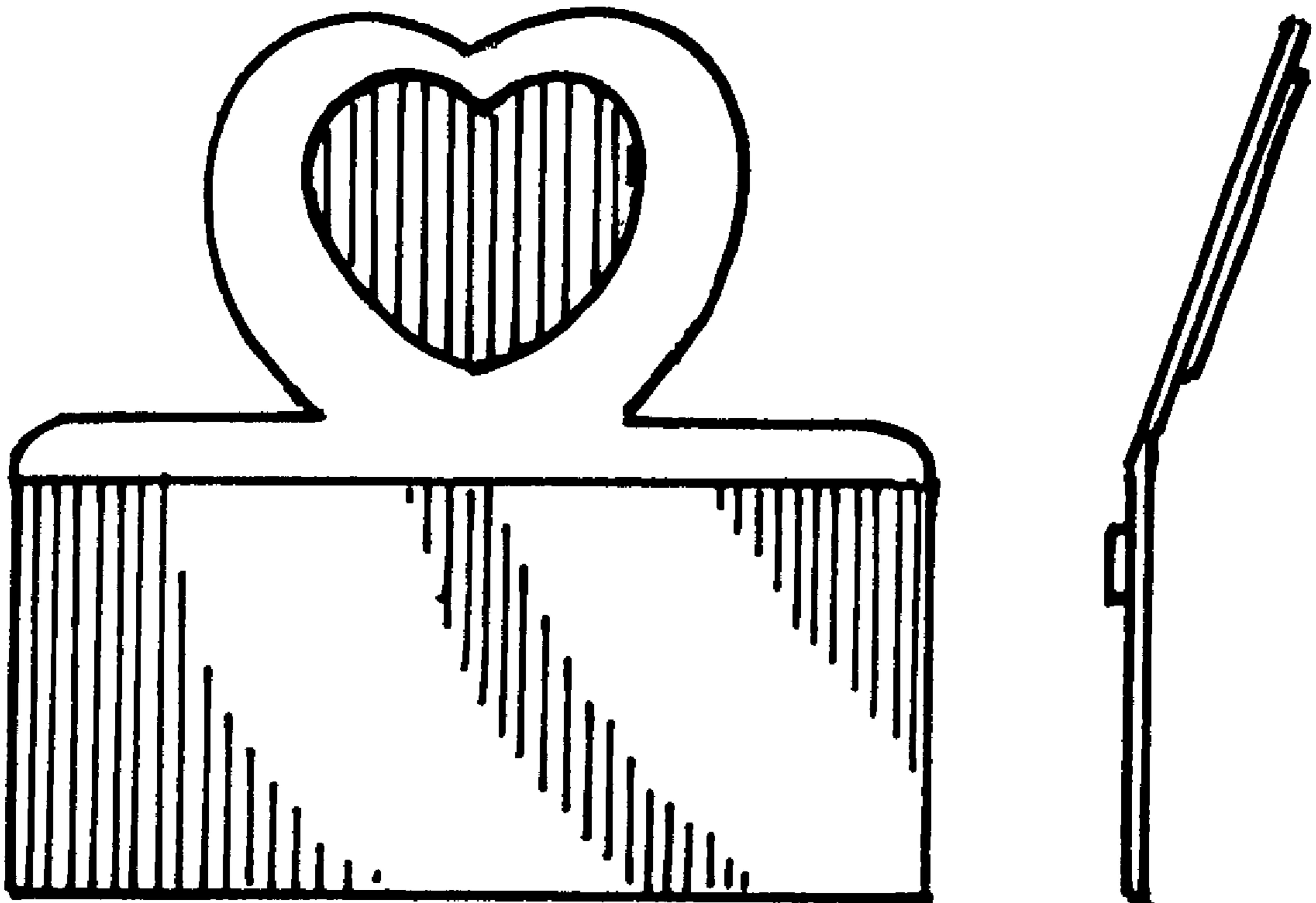
[57] **CLAIM**

The ornamental design for a dustpan, as shown and described.

DESCRIPTION

FIG. 1 is a front elevational view of the dustpan of my design;
FIG. 2 is a left side elevational view thereof;
FIG. 3 is a right side elevational view thereof;
FIG. 4 is a rear elevational view thereof;
FIG. 5 is a top plan view thereof; and,
FIG. 6 is a bottom plan view thereof.

1 Claim, 1 Drawing Sheet



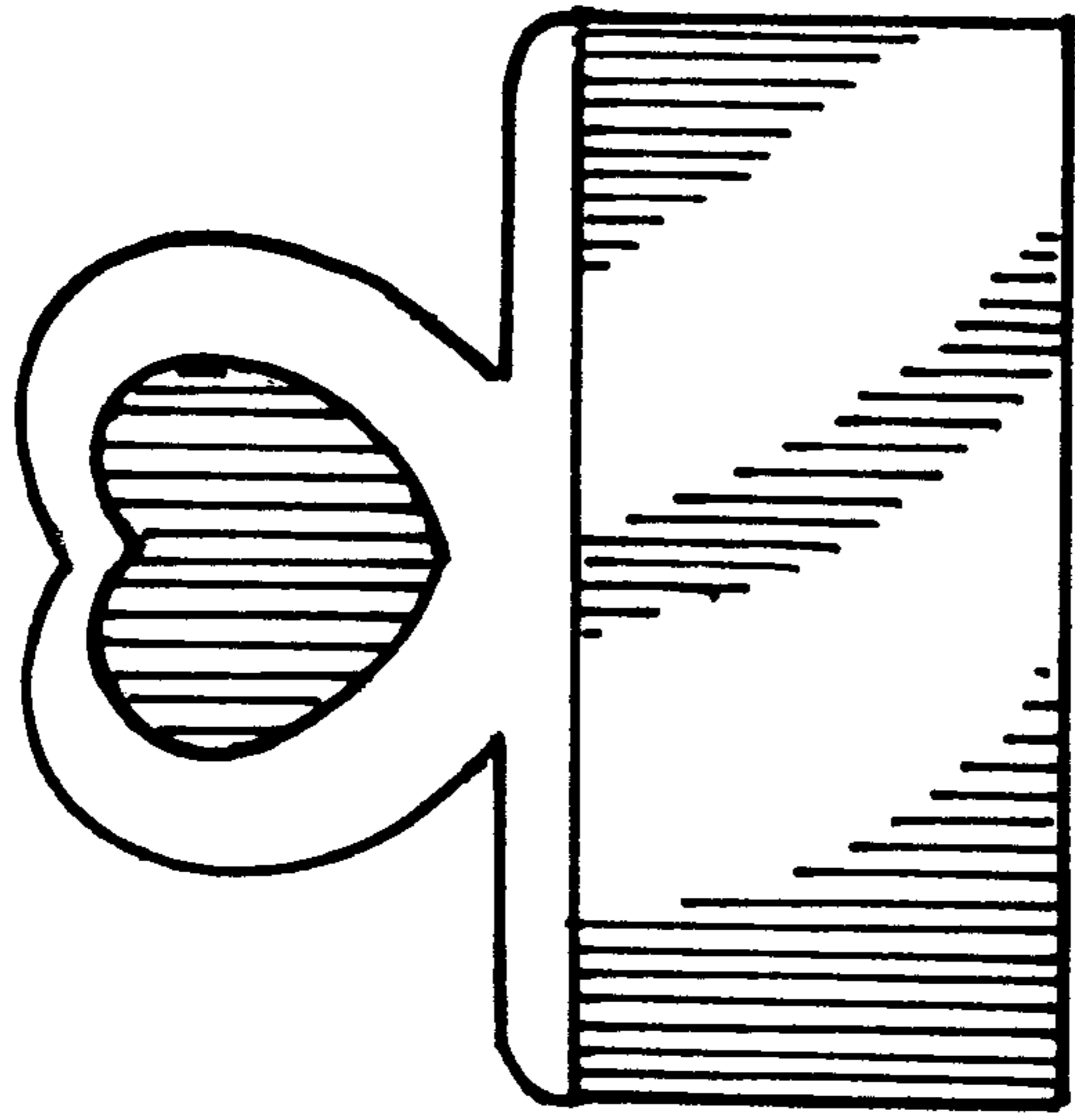


FIG. 1

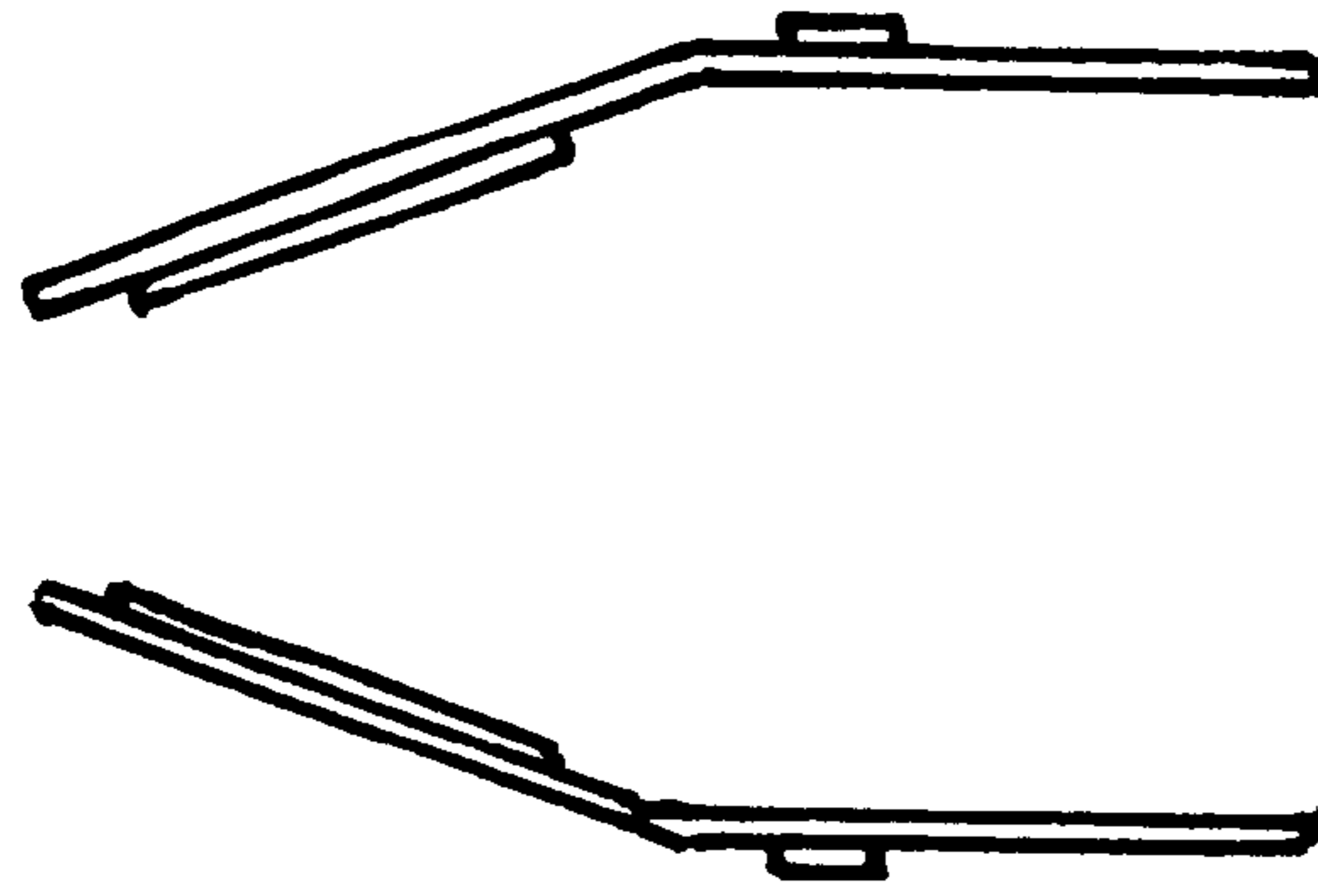


FIG. 2

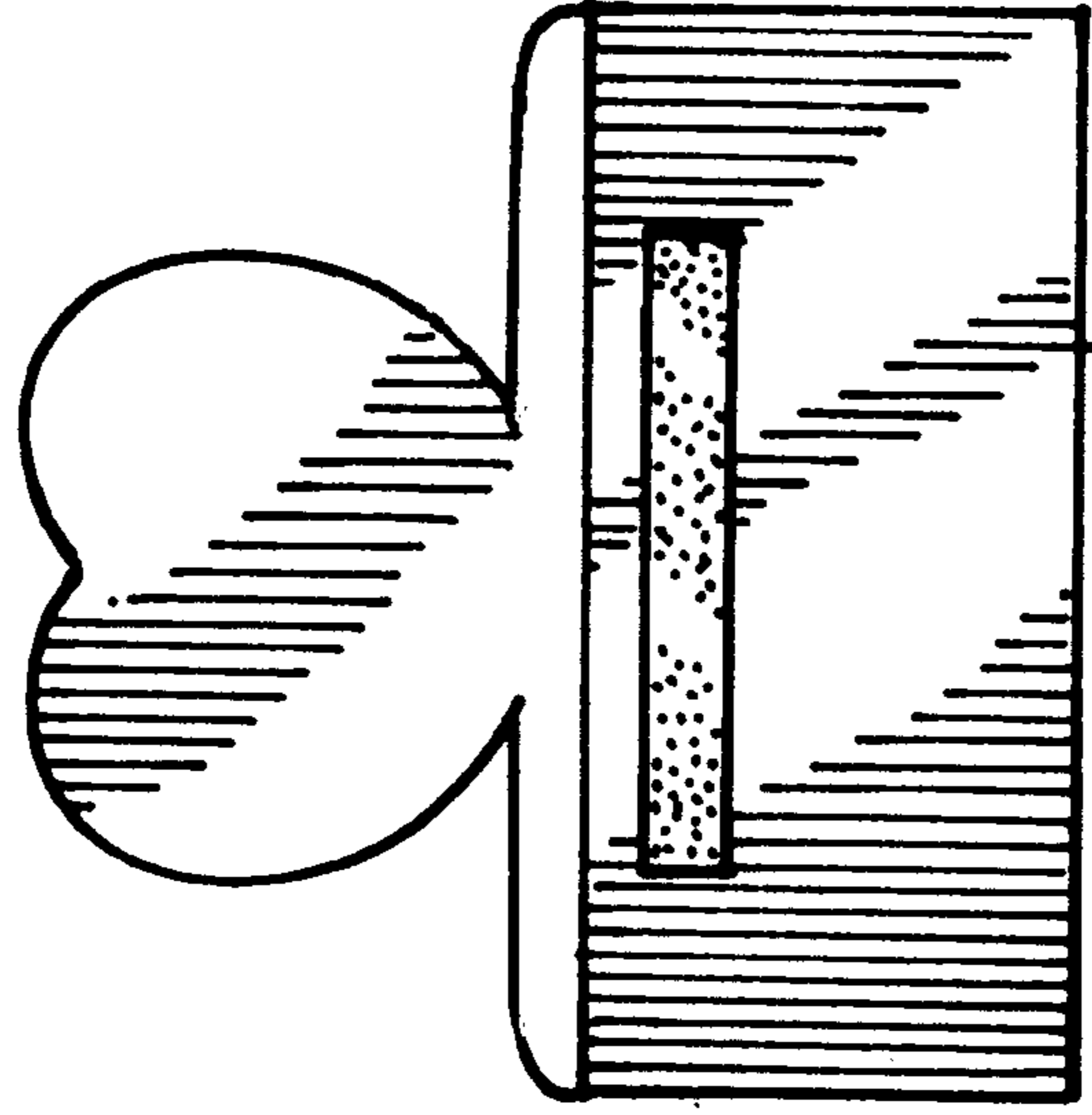


FIG. 3

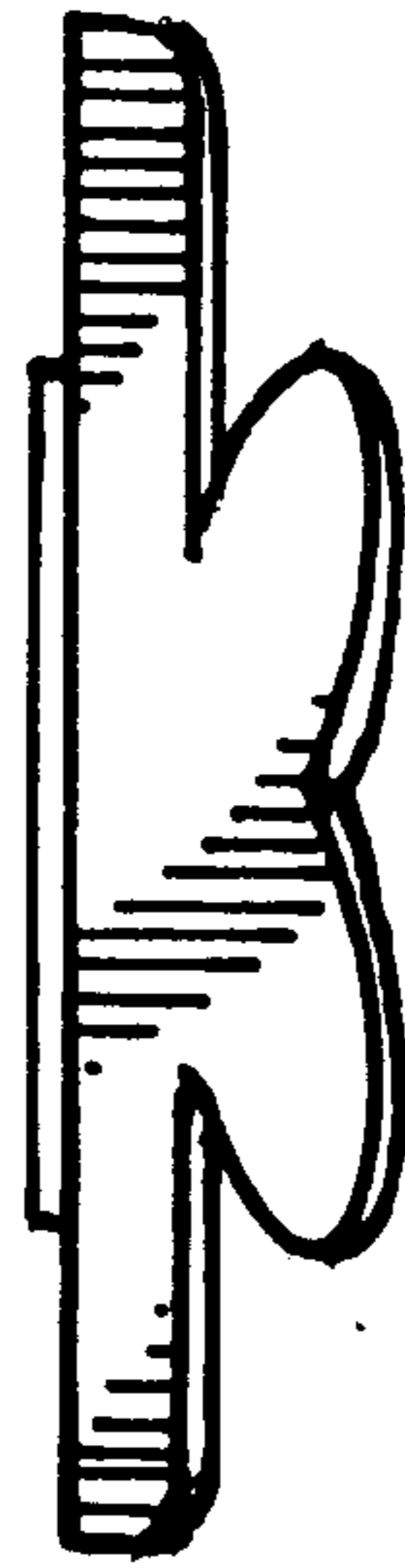


FIG. 4



FIG. 5



FIG. 6