



US00D420477S

United States Patent [19]

Saunders et al.

[11] Patent Number: **Des. 420,477**

[45] Date of Patent: **** Feb. 8, 2000**

[54] **COMBINATION VACUUM CLEANER HANDLE TOP PORTION AND TOOL HANDLE**

[75] Inventors: **Craig M. Saunders**, Rocky River; **Jeffrey M. Kalman**, Cleveland; **John S. Murphy**, Brookpark; **Richard C. Farone**, Willoughby; **Robert A. Matousek**, Lakewood; **Michael F. Wright**, Stow; **David M. Brickner**, Willoughby, all of Ohio

[73] Assignee: **Royal Appliance Mfg. Co.**, Cleveland, Ohio

[**] Term: **14 Years**

[21] Appl. No.: **29/097,237**

[22] Filed: **Dec. 2, 1998**

[51] **LOC (7) Cl.** **15-05**

[52] **U.S. Cl.** **D32/34**

[58] **Field of Search** D32/17-18, 21-22, D32/31-34; 15/415.1-422.1, 320-322, 350-353, 323, 362, 410-412, 414, 347, 344

[56] References Cited

U.S. PATENT DOCUMENTS

- D. 212,711 11/1968 McLane D32/34
- D. 315,043 2/1991 Hayden D32/34
- D. 333,023 2/1993 Herron, Jr. D32/34

- D. 334,447 3/1993 Rohn D32/34
- D. 364,014 11/1995 Langeland et al. .
- D. 374,318 10/1996 Meelen D32/34
- D. 406,422 3/1999 Burchard et al. D32/34
- 5,054,157 10/1991 Werner et al. 15/328
- 5,087,018 2/1992 Blase et al. .
- 5,459,901 10/1995 Blase et al. .
- 5,815,883 10/1998 Stein et al. 15/327.1
- 5,857,239 1/1999 Oh et al. 15/321

Primary Examiner—Ruth McInroy
Attorney, Agent, or Firm—Fay, Sharpe, Fagan, Minnich & McKee, LLP

[57] CLAIM

The ornamental design for a combination vacuum cleaner handle top portion and tool handle, as shown and described.

DESCRIPTION

FIG. 1 is a perspective view of the combination vacuum cleaner handle top portion and tool handle showing our new design;

FIG. 2 is a right side elevational view thereof;

FIG. 3 is a left side elevational view thereof;

FIG. 4 is a front elevational view thereof;

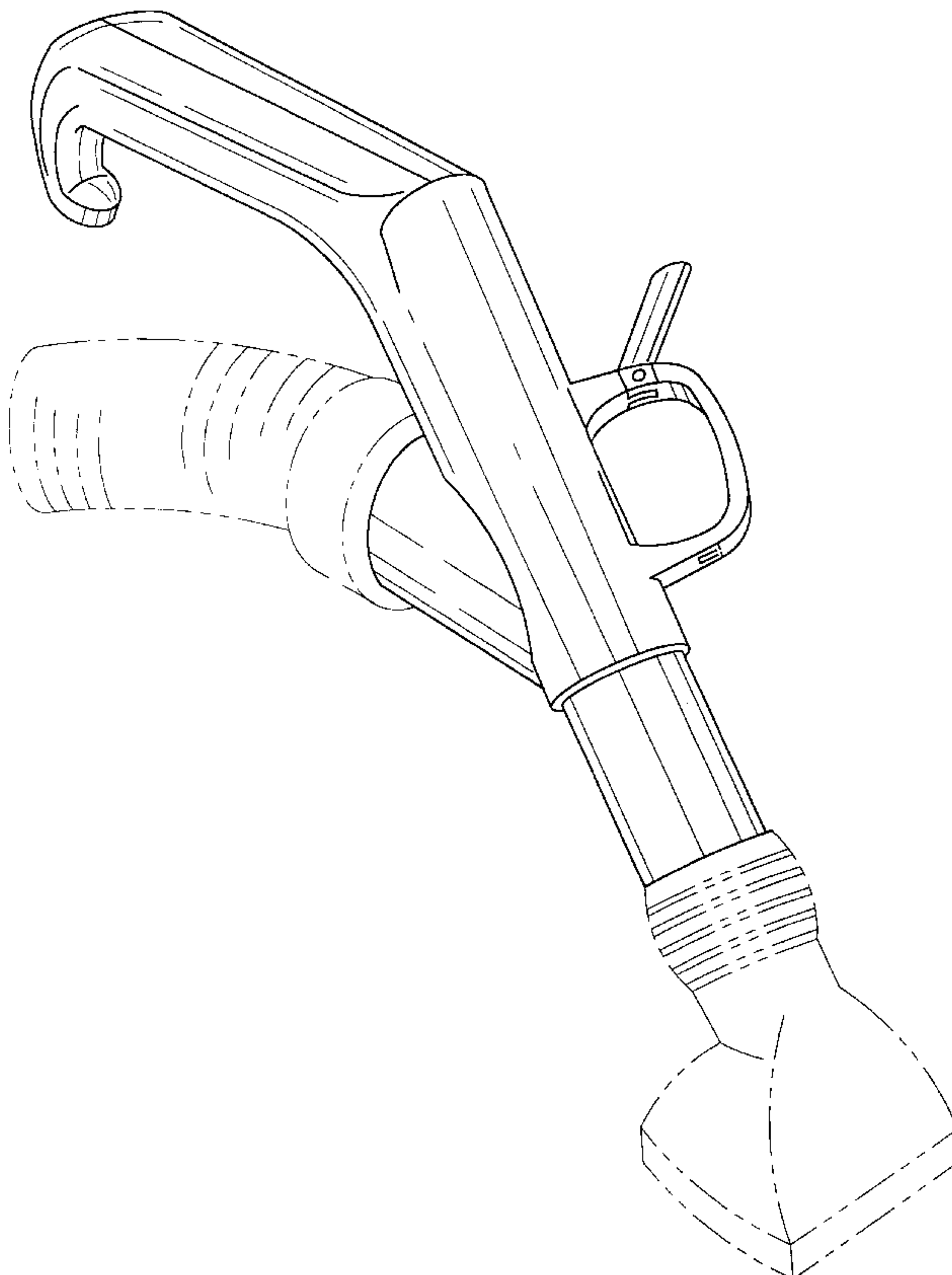
FIG. 5 is a rear elevational view thereof;

FIG. 6 is a bottom plan view thereof; and,

FIG. 7 is a top plan view thereof.

The parts shown in broken lines in FIG. 1 are shown for illustrative purposes only and form no part of the claimed design.

1 Claim, 5 Drawing Sheets



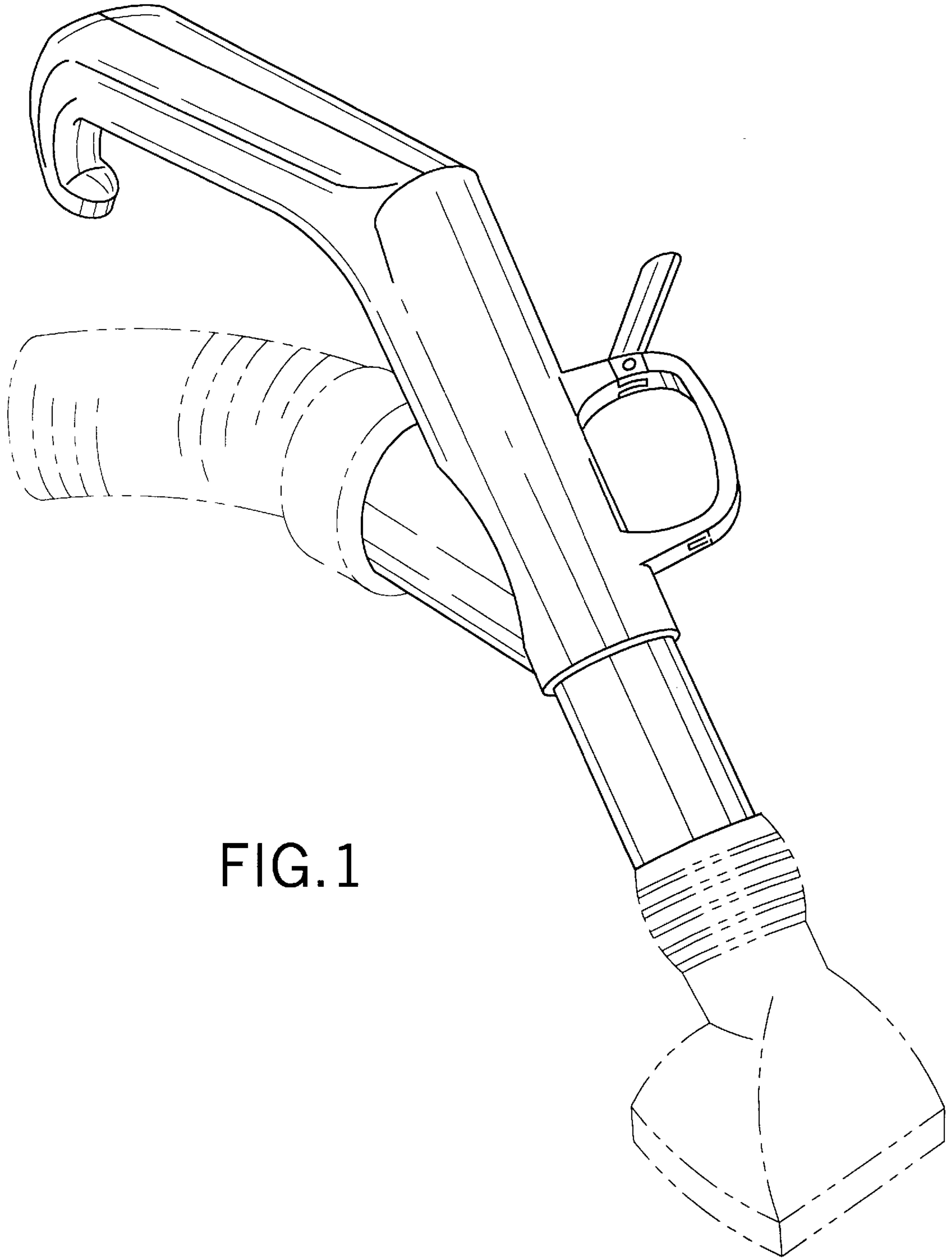


FIG. 1

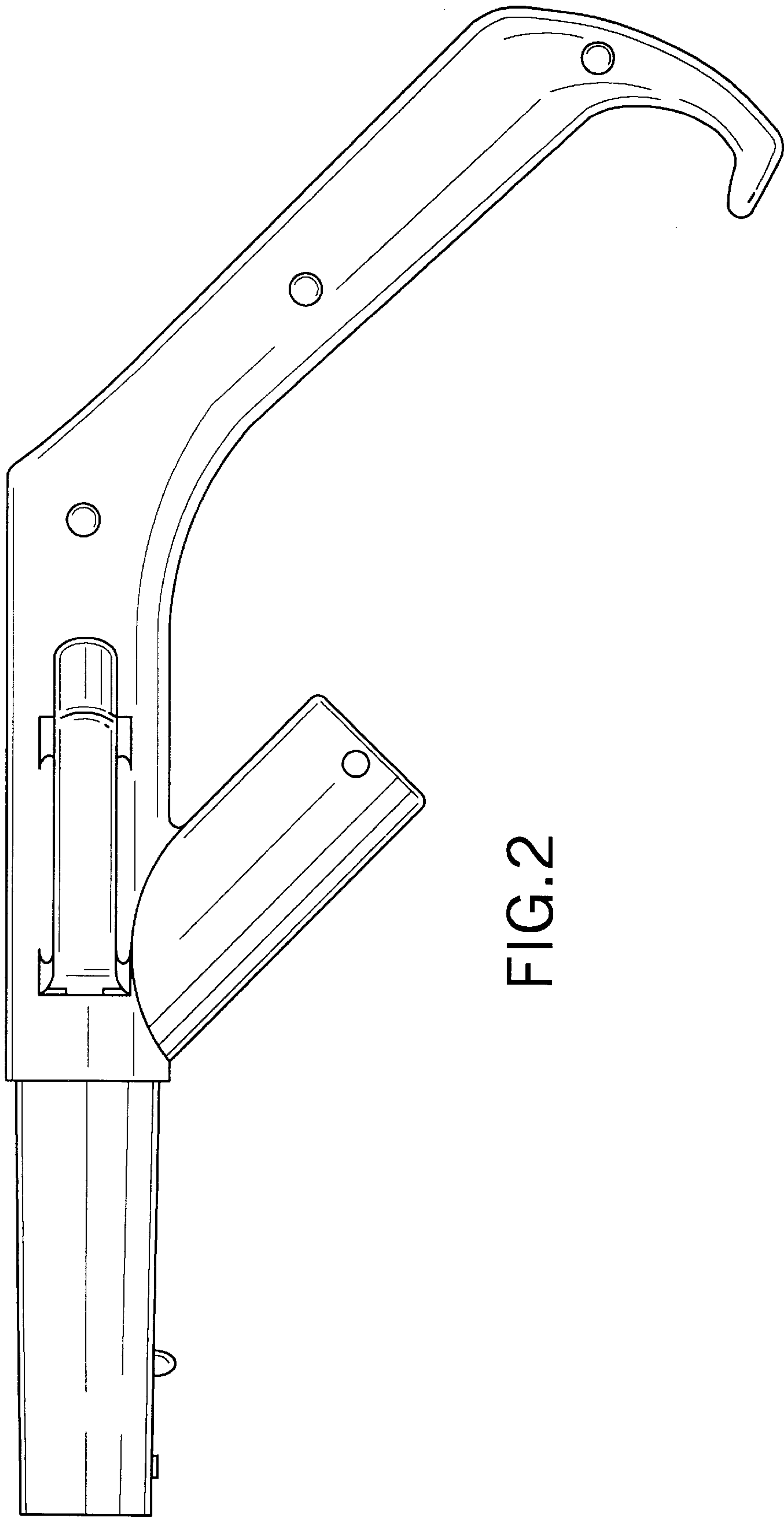


FIG. 2

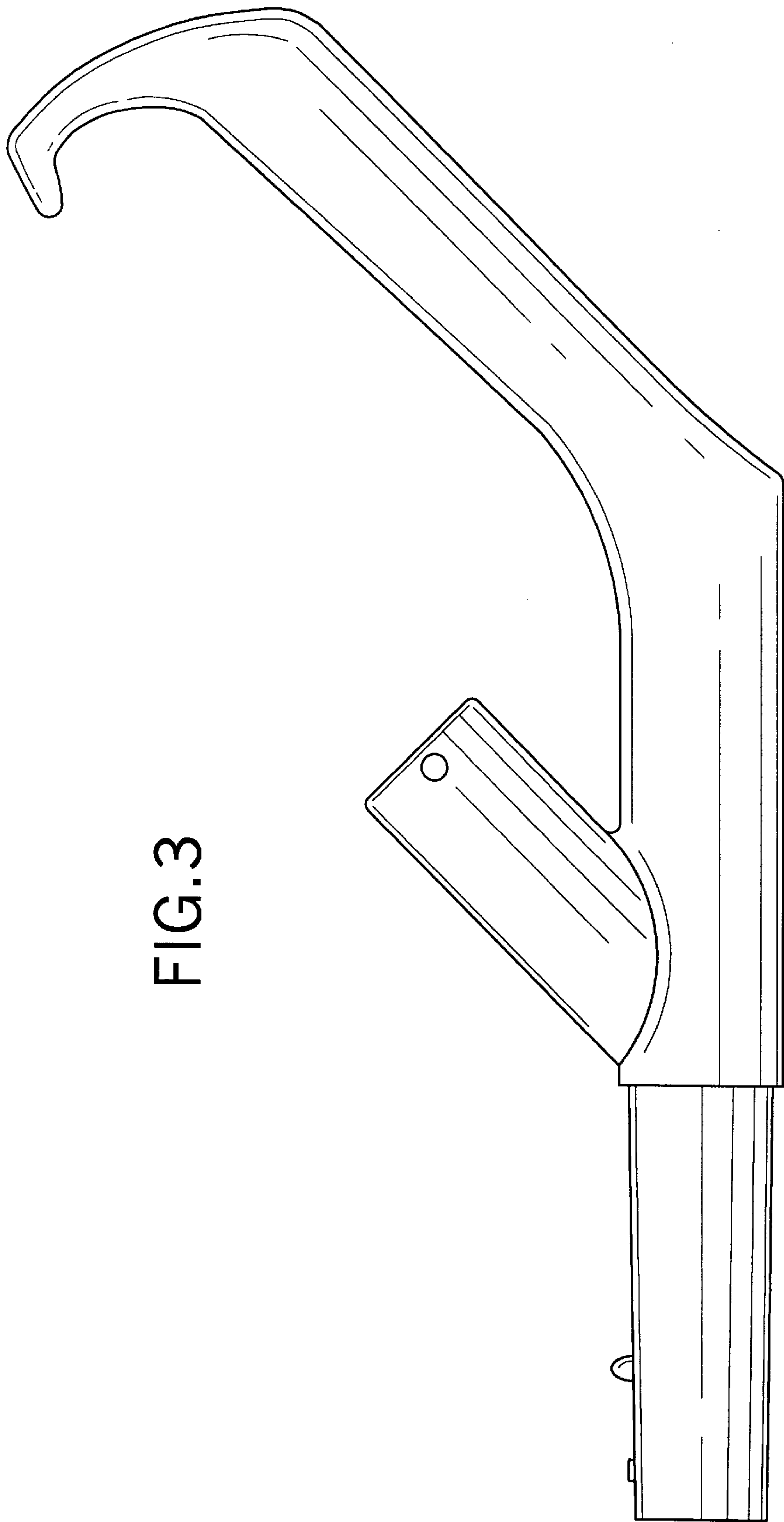


FIG. 3

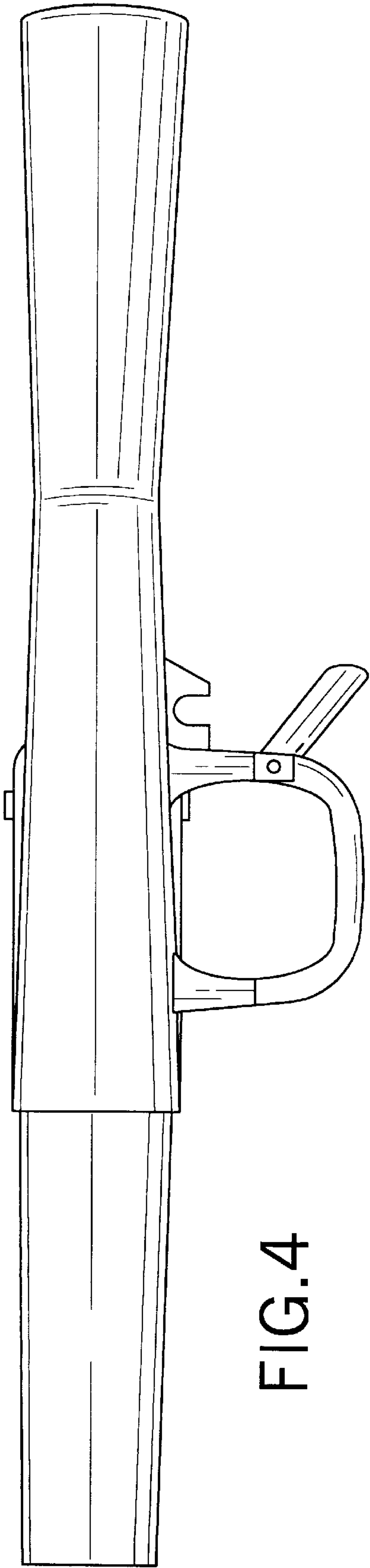


FIG. 4

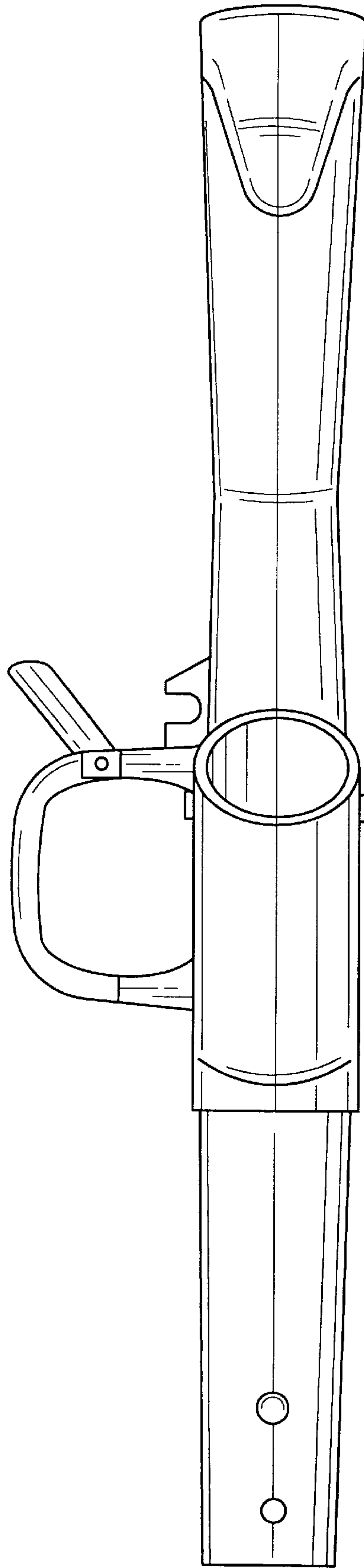


FIG. 5

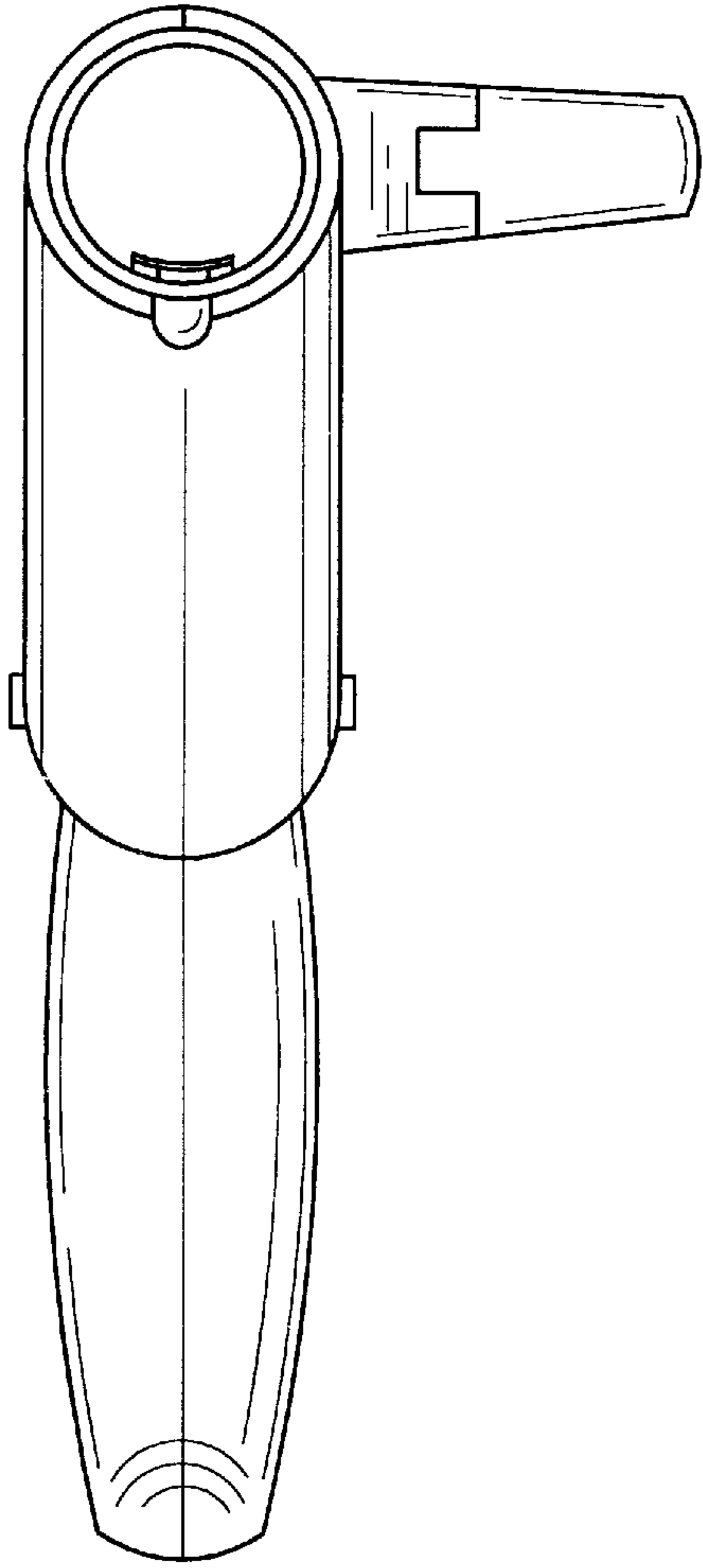


FIG. 6

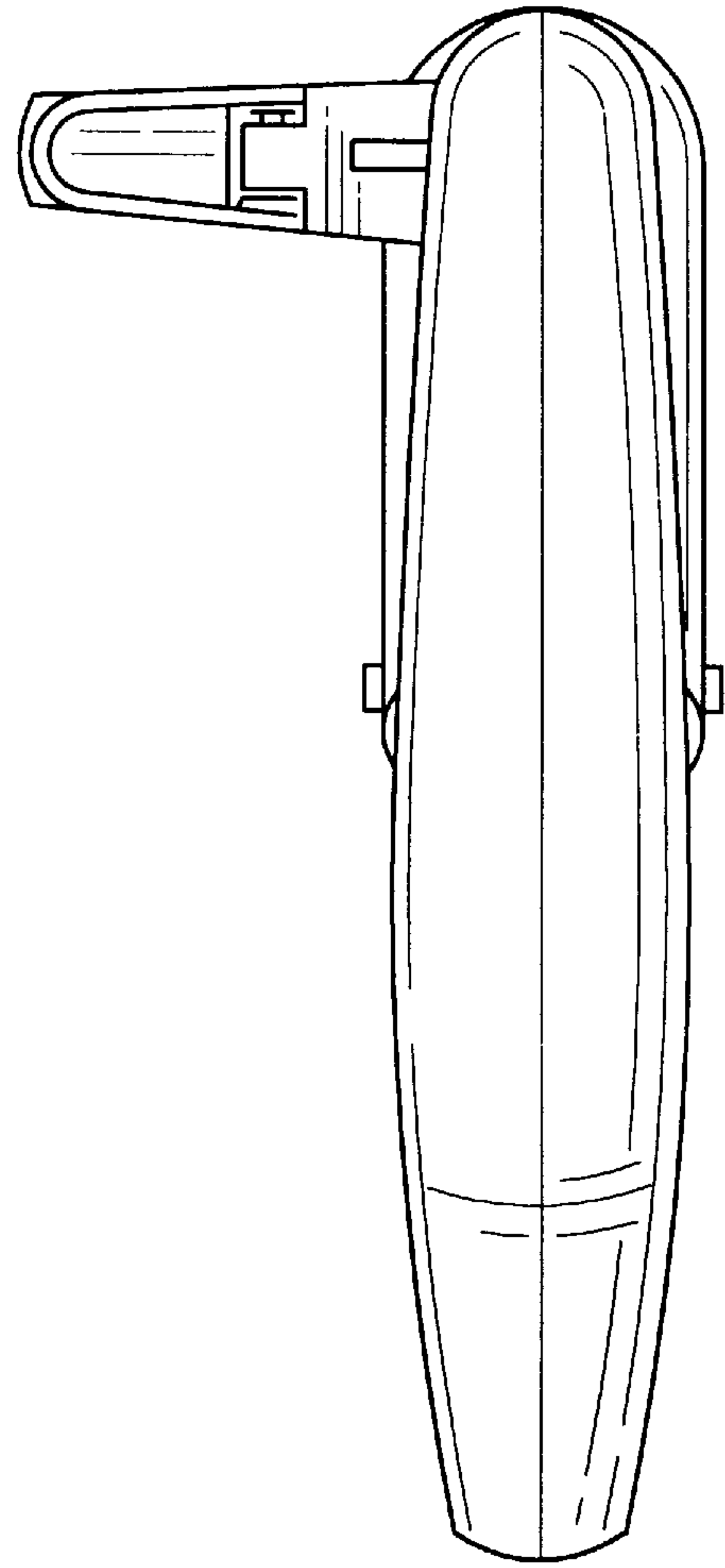


FIG. 7