



US00D420476S

# United States Patent [19]

Rohn et al.

[11] Patent Number: **Des. 420,476**

[45] Date of Patent: **\*\* Feb. 8, 2000**

[54] **WATER CONTAINER FOR A VACUUM CLEANER**

[75] Inventors: **Dean Robert Rohn**, Cadillac; **Gary A. Kasper**, Grand Rapids, both of Mich.; **Mark Christopher Bates**, Bellingham; **John Carl Costello**, Wellesley, both of Mass.

[73] Assignee: **Rexair, Inc.**, Troy, Mich.

[\*\*] Term: **14 Years**

[21] Appl. No.: **29/083,414**

[22] Filed: **Feb. 4, 1998**

[51] **LOC (7) Cl.** ..... **15-05**

[52] **U.S. Cl.** ..... **D32/31**

[58] **Field of Search** ..... D32/31, 21, 23, D32/24, 25, 30; 15/323, 325, 326, 327.1, 327.2, 321, 347, 353, 246.2, 246.3, 352, 339, 320; 210/466, 464; 55/248, 240, 250; 220/761

[56] **References Cited**

**U.S. PATENT DOCUMENTS**

D. 189,288 11/1960 Smithson ..... D32/23

D. 233,645	11/1974	Diehl	.....	D32/23
D. 233,646	11/1974	Diehl	.....	D32/23
D. 233,647	11/1974	Diehl	.....	D32/23
2,102,353	1/1937	Brock	.....	183/24
2,886,127	5/1959	Brock	.....	183/37
4,485,583	12/1984	Planty	.....	43/139
4,640,697	2/1987	Erickson, Jr.	.....	55/248
5,022,115	6/1991	Kasper	.....	15/353
5,125,129	6/1992	Kasper et al.	.....	15/353
5,339,487	8/1994	Kasper	.....	15/246.2

*Primary Examiner*—Ruth McInroy  
*Attorney, Agent, or Firm*—Howard & Howard

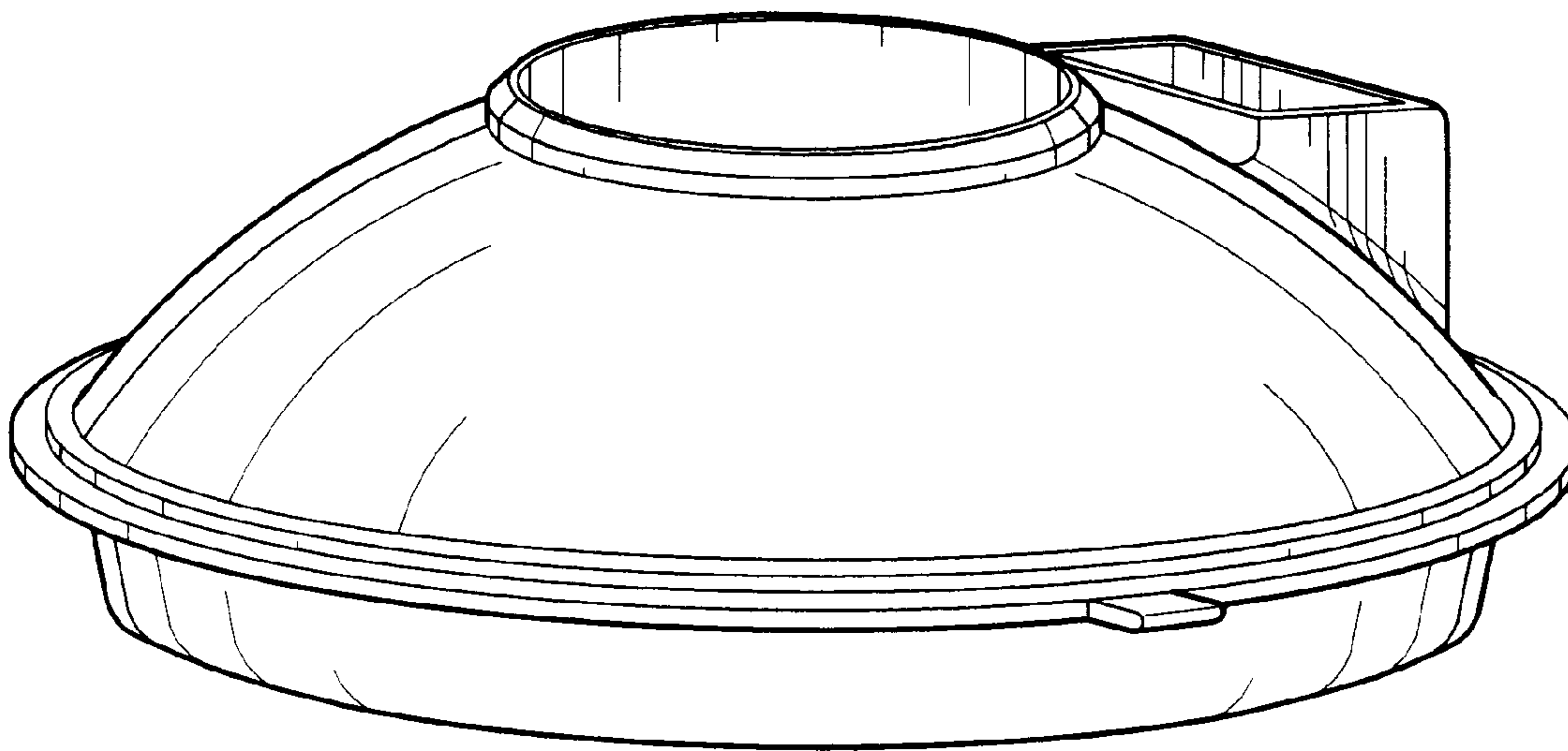
[57] **CLAIM**

The ornamental design of a water container for a vacuum cleaner, as shown and described.

**DESCRIPTION**

FIG. 1 is a perspective view of a water container for a vacuum cleaner of the present invention; FIG. 2 is a front elevational view thereof; FIG. 3 is a side elevational view thereof; FIG. 4 is a rear elevational view thereof; FIG. 5 is a top plan view thereof; and, FIG. 6 is a bottom plan view thereof.

**1 Claim, 3 Drawing Sheets**



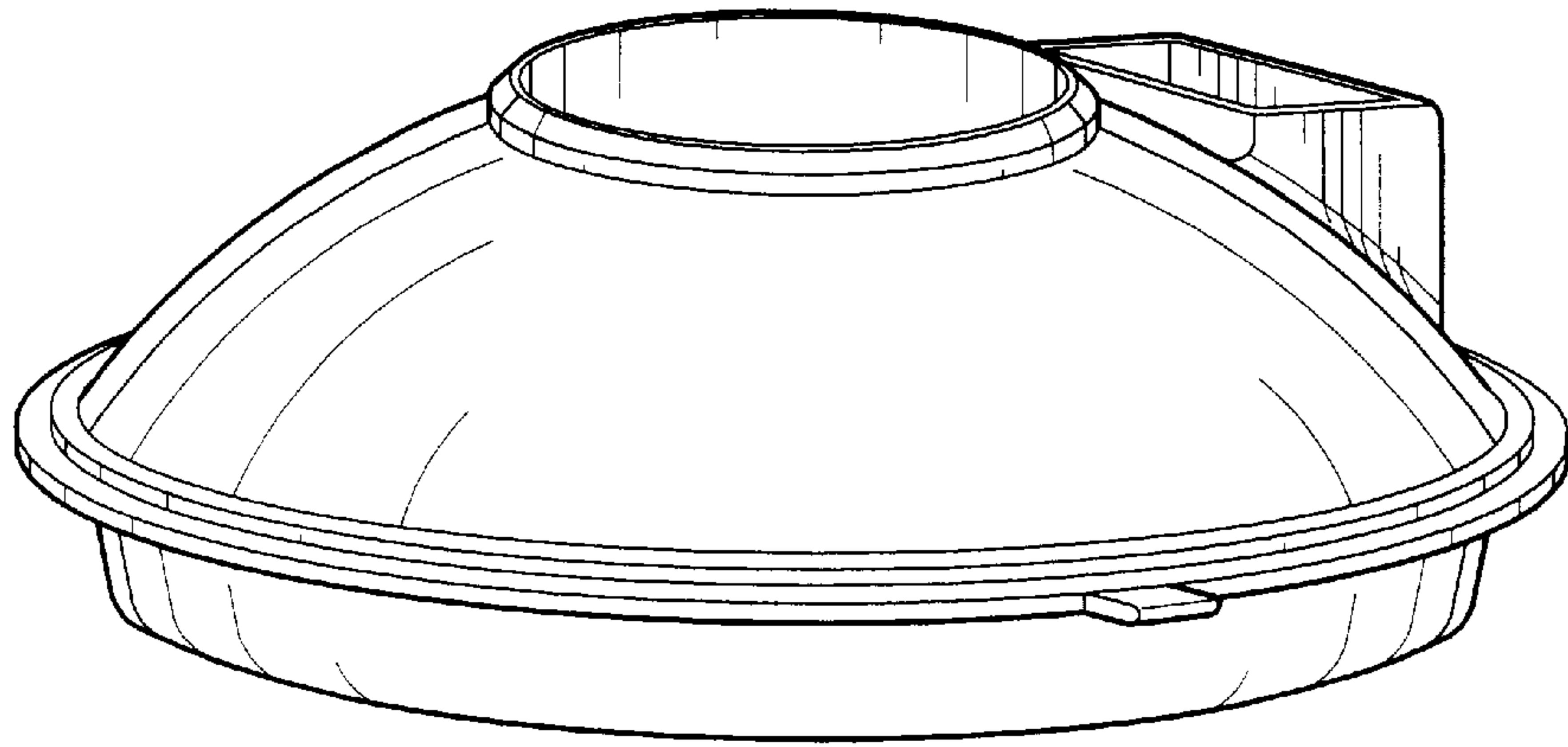


Fig-1

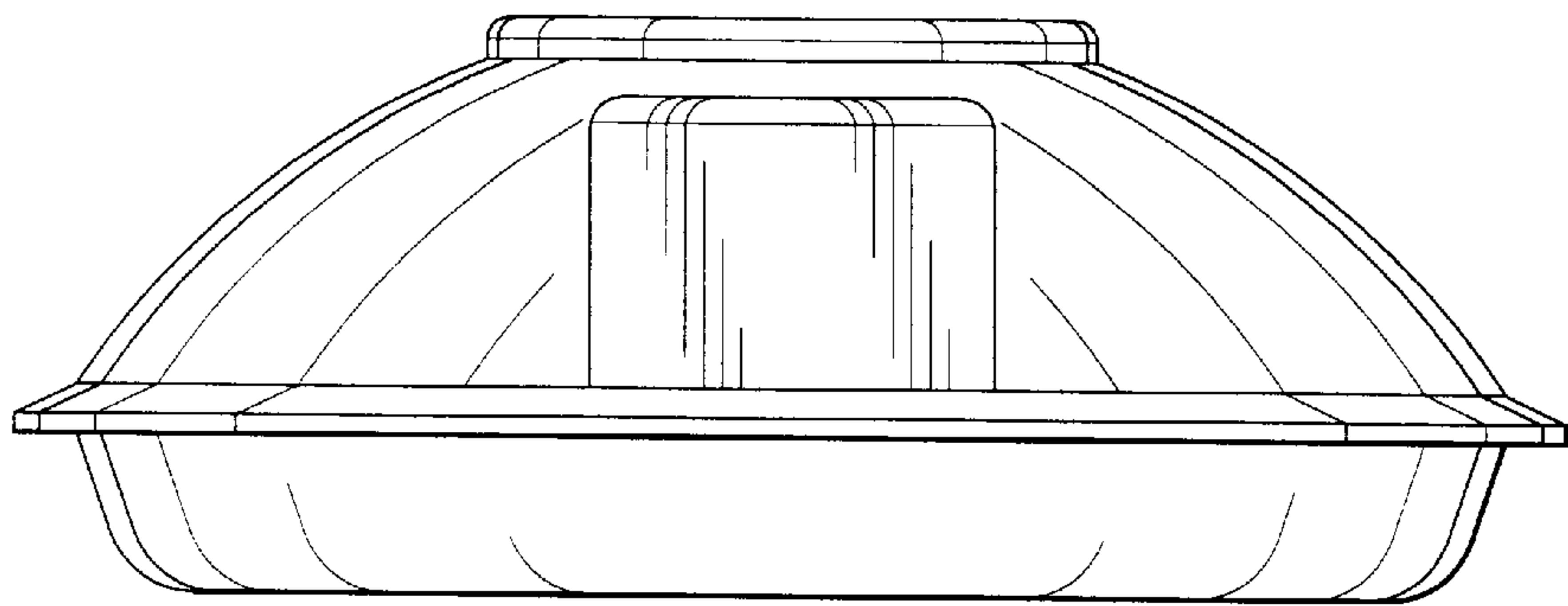


Fig-2

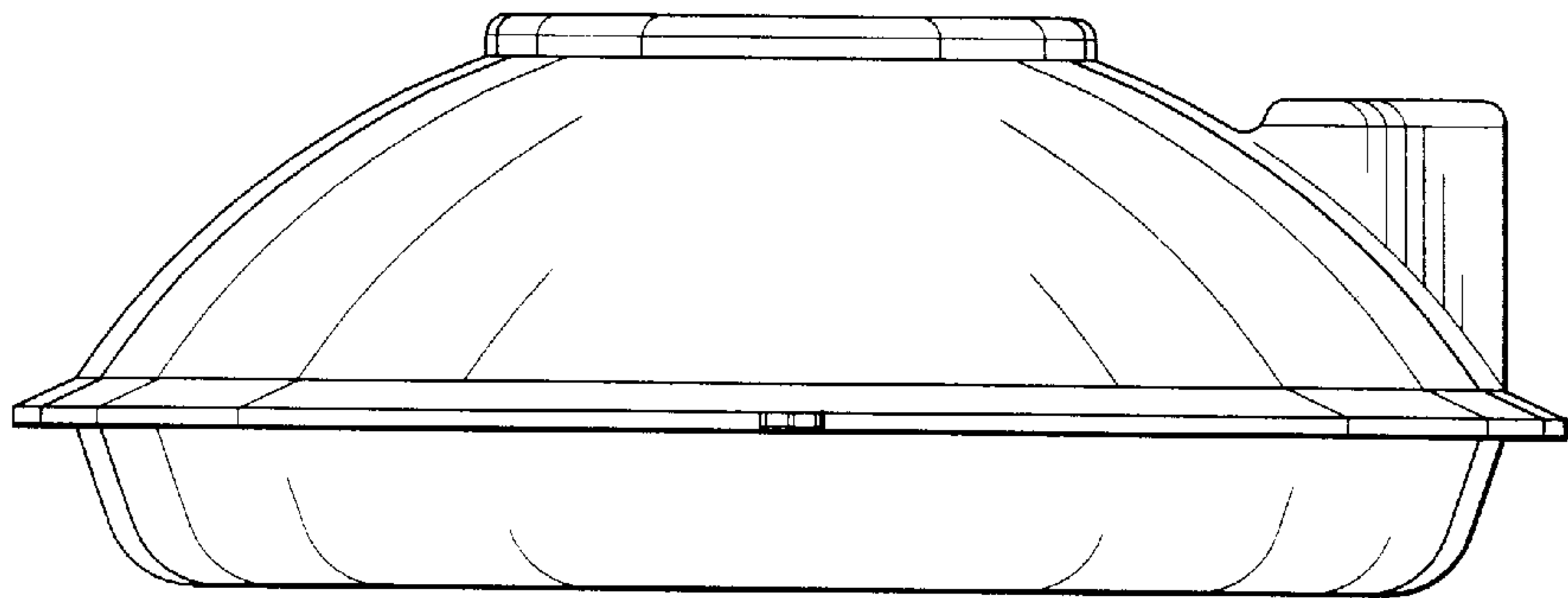


Fig-3

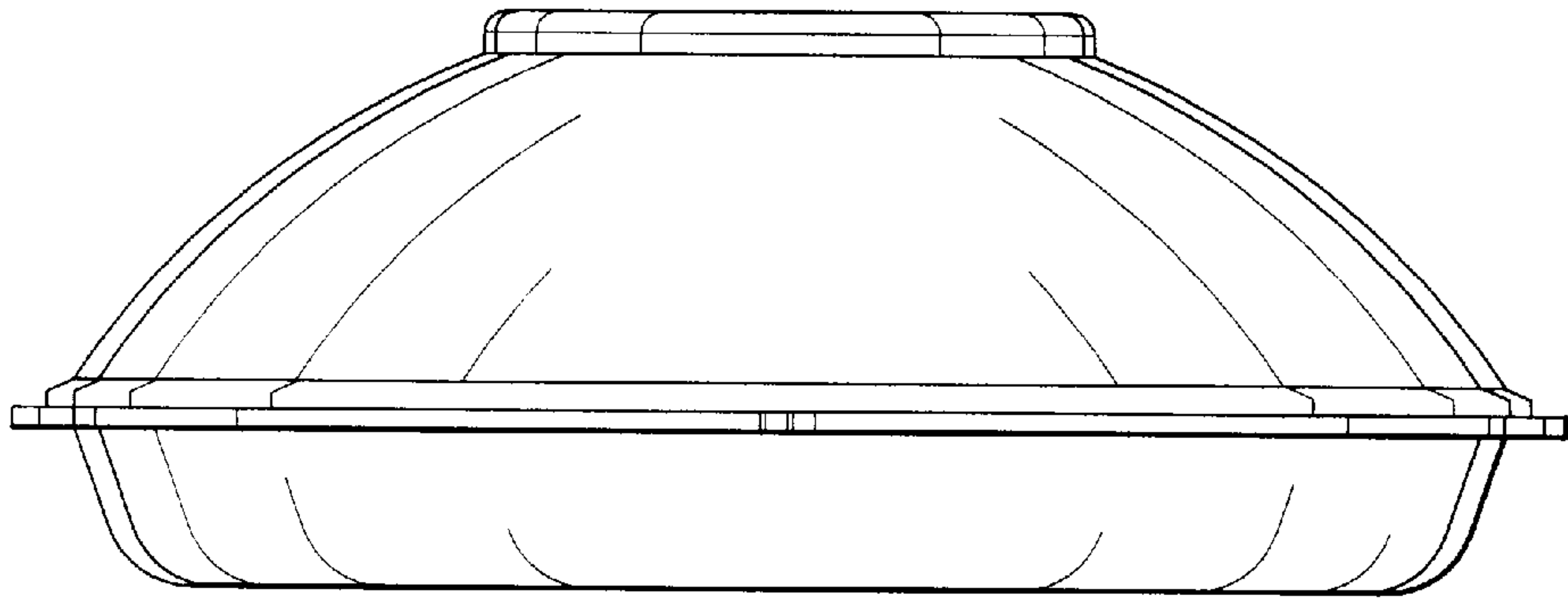


Fig-4

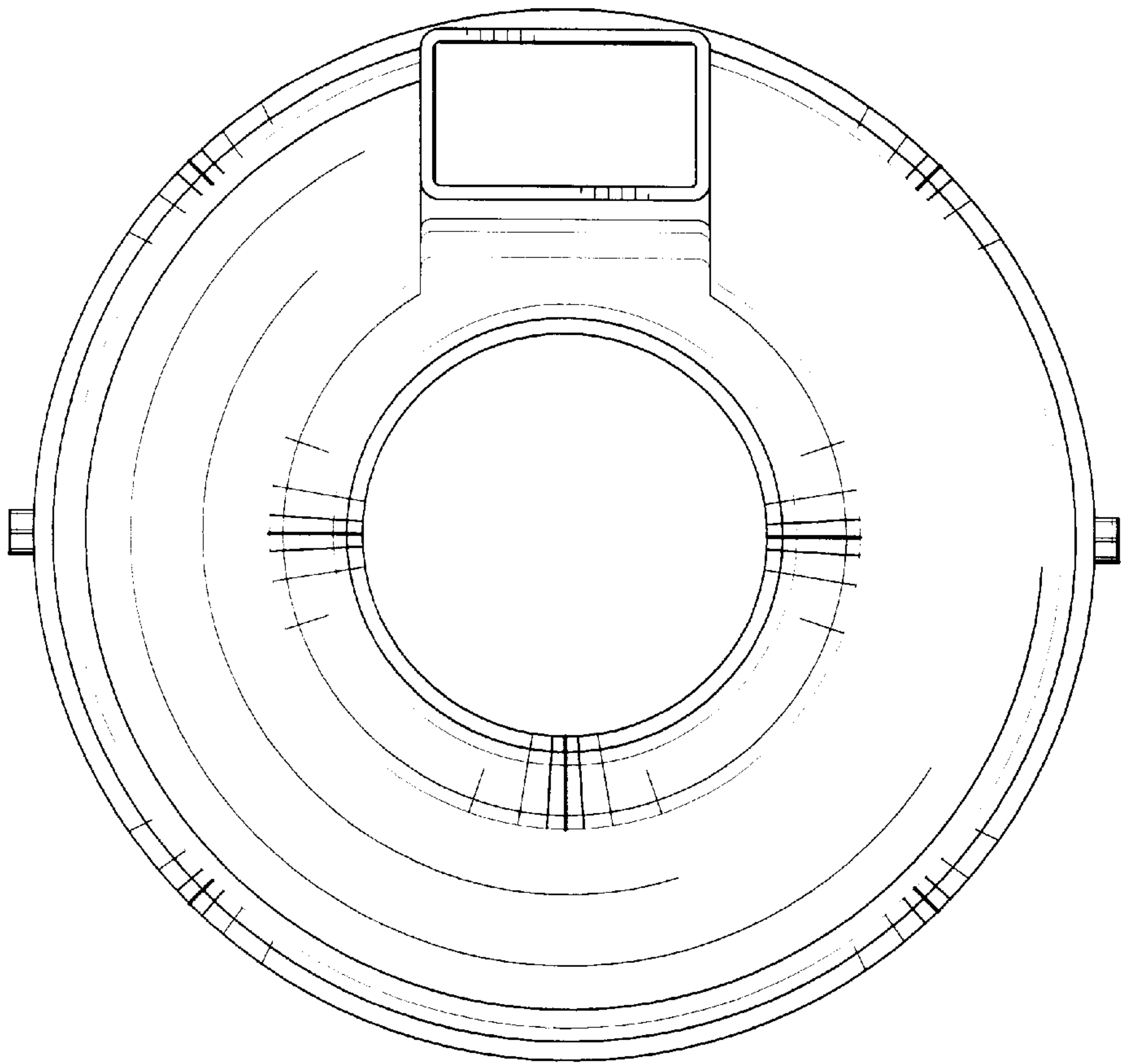


Fig-5

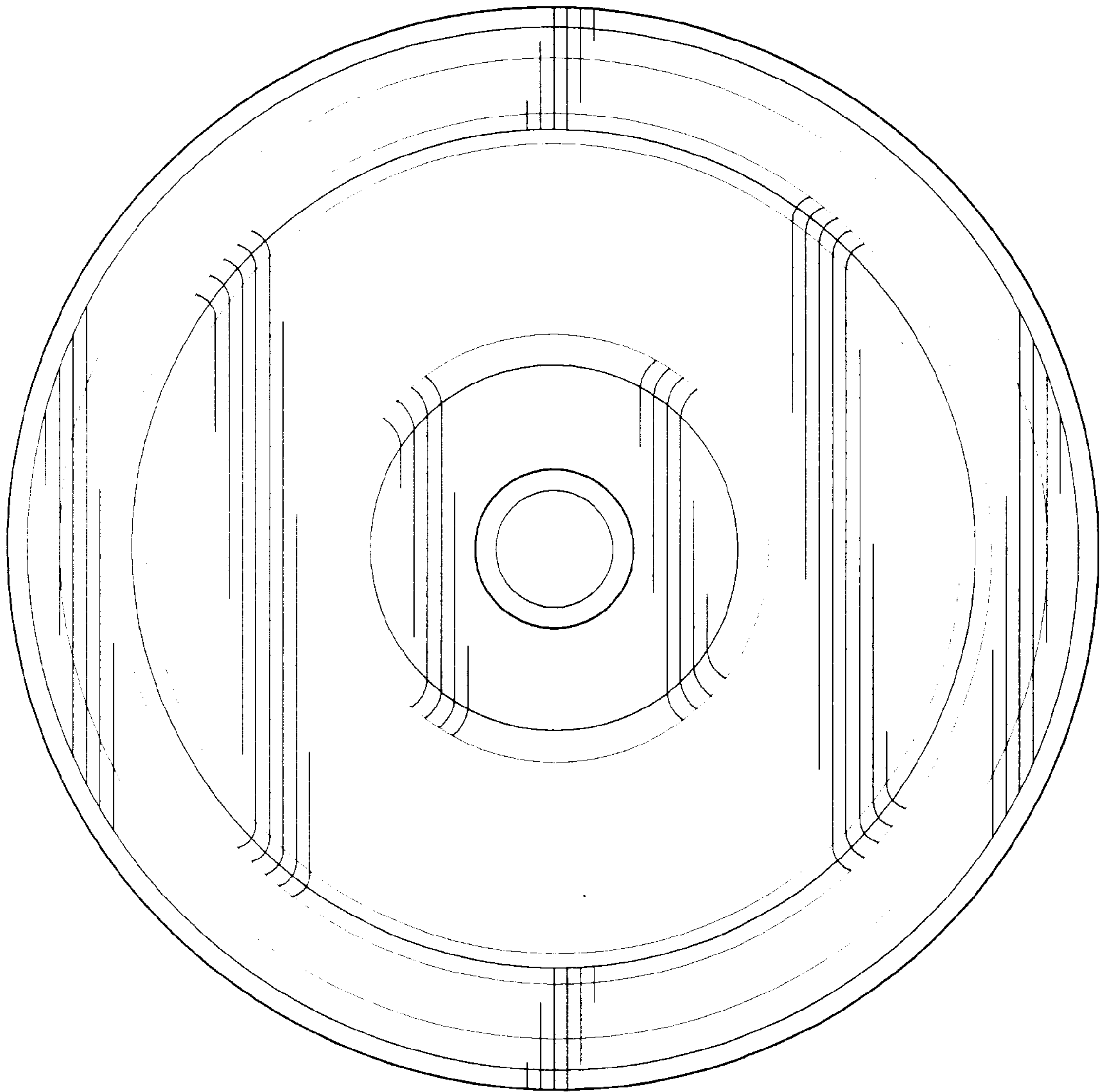


Fig-6