



US00D420473S

United States Patent [19]

Shero

[11] Patent Number: Des. 420,473

[45] Date of Patent: ** Feb. 8, 2000

[54] **COMBINED PORTABLE CARPET AND UPHOLSTERY CLEANER**

[76] Inventor: **William K. Shero**, deceased, late of Pueblo, Colo., by Pamela Shero, executrix

[**] Term: **14 Years**

[21] Appl. No.: **29/074,290**

[22] Filed: **Jul. 23, 1997**

[51] **LOC (7) Cl.** **15-05**

[52] **U.S. Cl.** **D32/16; D32/21**

[58] **Field of Search** **D32/15-16, 21; 15/320-322, 323, 329, 335, 344, 347, 350, 352, 353, 361, 410, 412, 50.1, 50.3, 52.1, 79.1-79.2**

D. 365,423	12/1995	Bores et al.	D32/16
3,774,261	11/1973	Colt	15/321
4,109,340	8/1978	Bates	15/321
4,153,968	5/1979	Perkins	15/321
4,207,649	6/1980	Bates	15/319
4,284,127	8/1981	Collier et al.	165/35
4,336,627	6/1982	Bascus	15/321
4,433,909	2/1984	Center et al.	355/75
4,949,424	8/1990	Shero	15/321
5,121,592	6/1992	Jertson	15/79.2
5,657,509	8/1997	Trautloff et al.	15/321

Primary Examiner—Ruth McInroy
Attorney, Agent, or Firm—Stetina Brunda Garred & Brucker

[57] **CLAIM**

The ornamental design for a combined portable carpet and upholstery cleaner, as shown and described.

DESCRIPTION

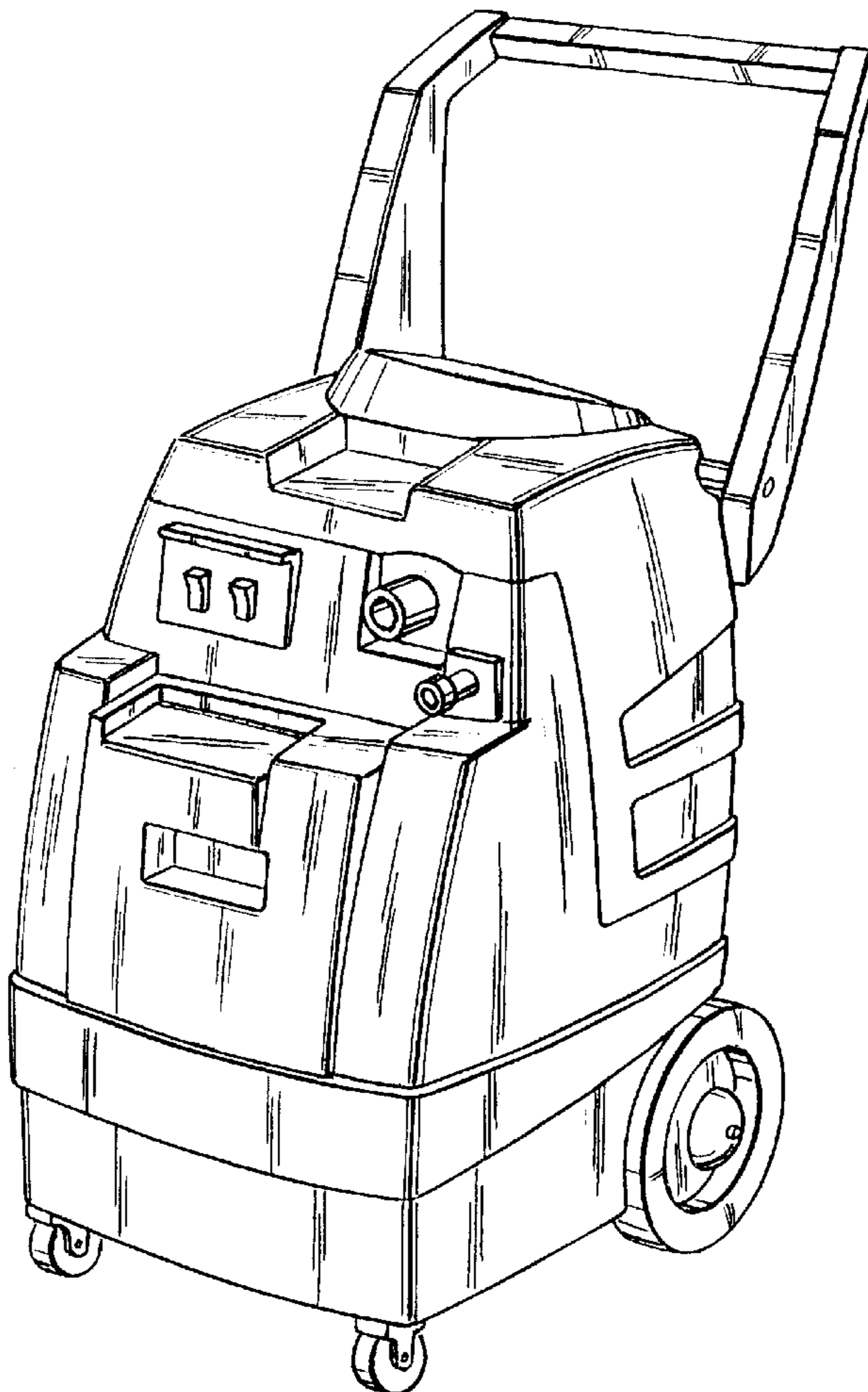
FIG. 1 is a front perspective view of a combined portable carpet and upholstery cleaner showing my new design; FIG. 2 is a rear perspective view thereof; FIG. 3 is a top plan view thereof; FIG. 4 is a side plan view thereof; and, FIG. 5 is a front plan view thereof.

1 Claim, 2 Drawing Sheets

[56] **References Cited**

U.S. PATENT DOCUMENTS

D. 298,479	11/1988	Jacobs et al.	D32/16
D. 337,184	7/1993	Bothun et al.	D32/21
D. 337,185	7/1993	Wulff	D32/21
D. 344,374	2/1994	Wulff	D32/21
D. 345,034	3/1994	Fitzwater	D32/21
D. 364,947	12/1995	Kent et al.	D32/22



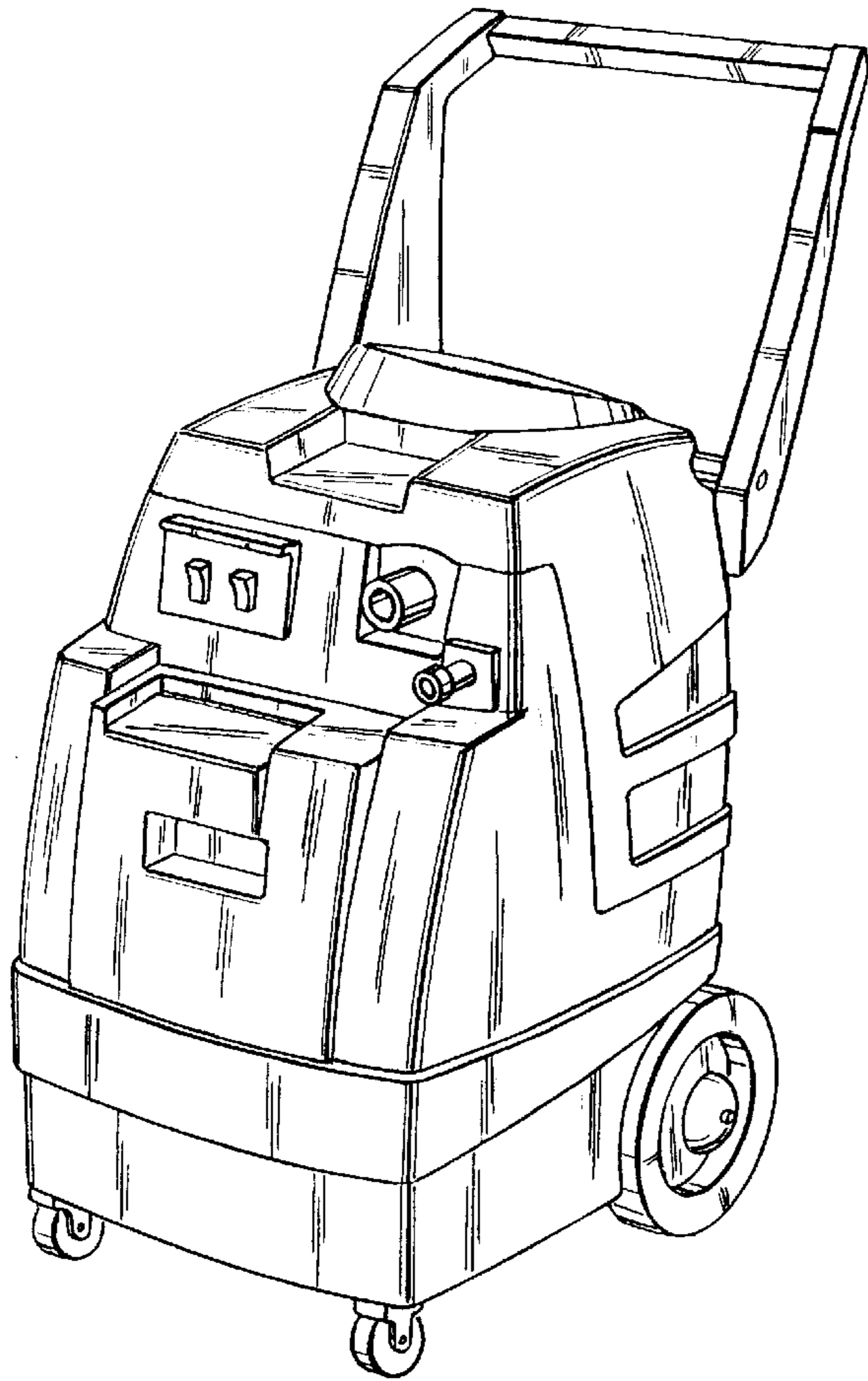


Fig. 1

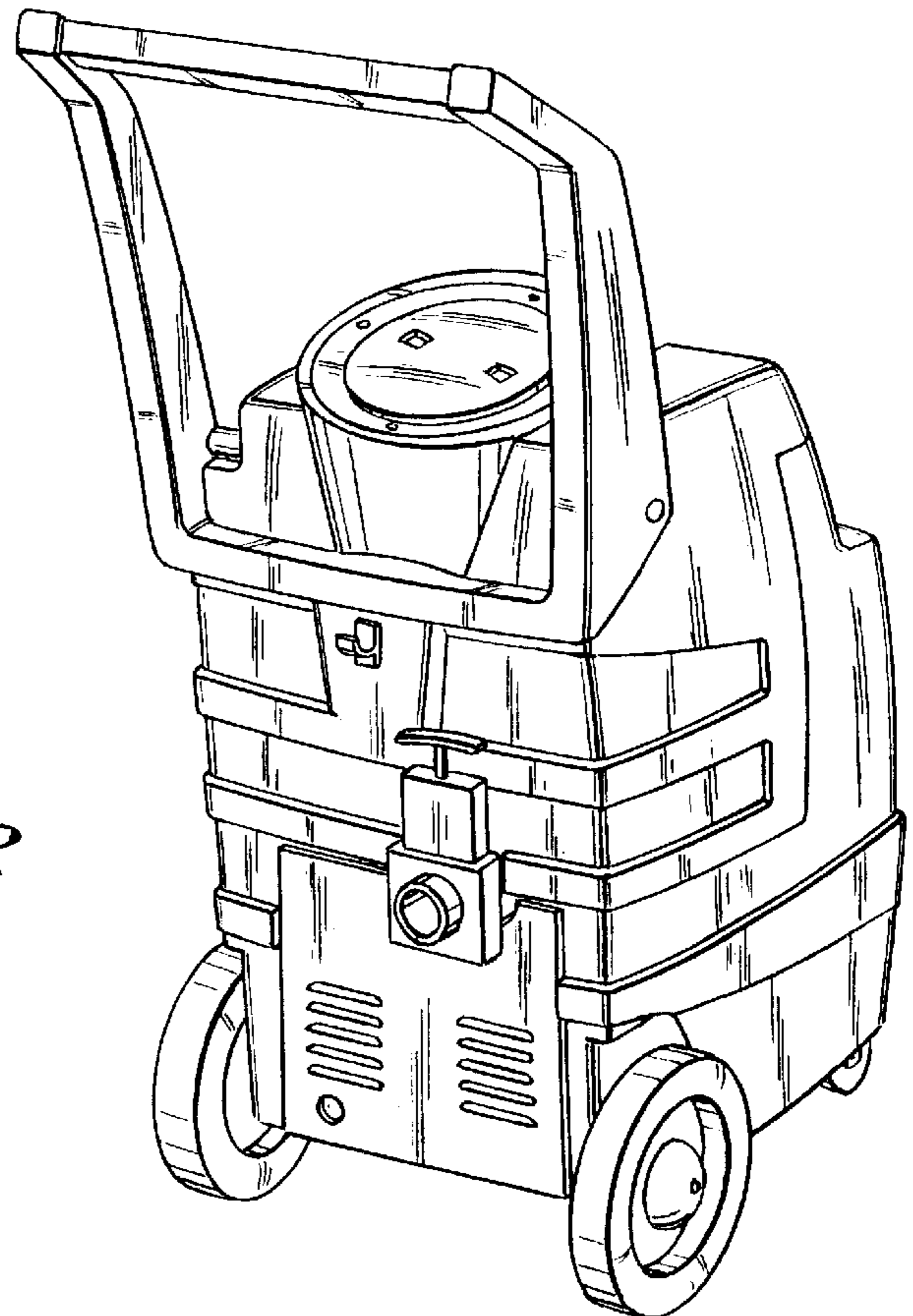


Fig. 2

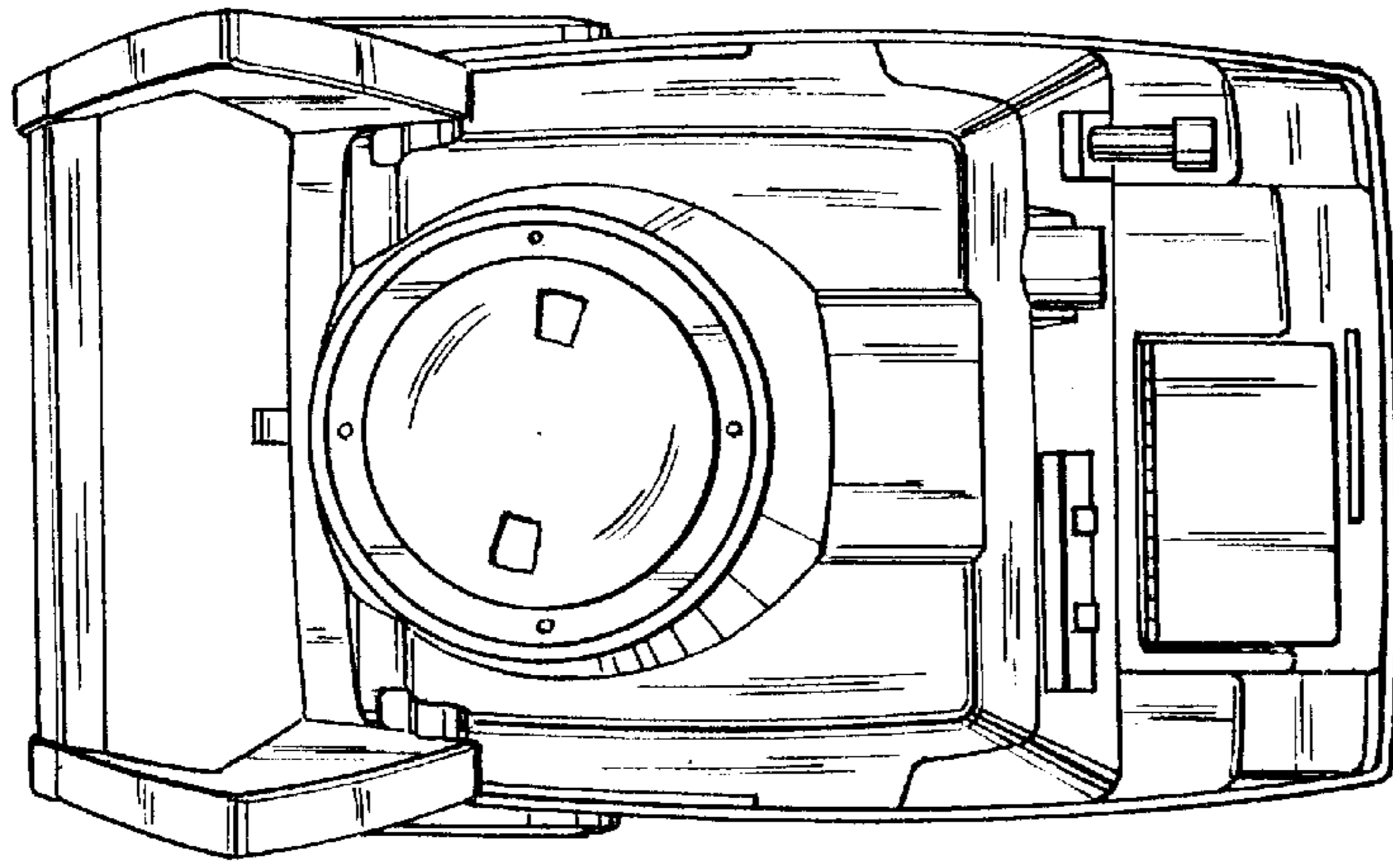


Fig. 3

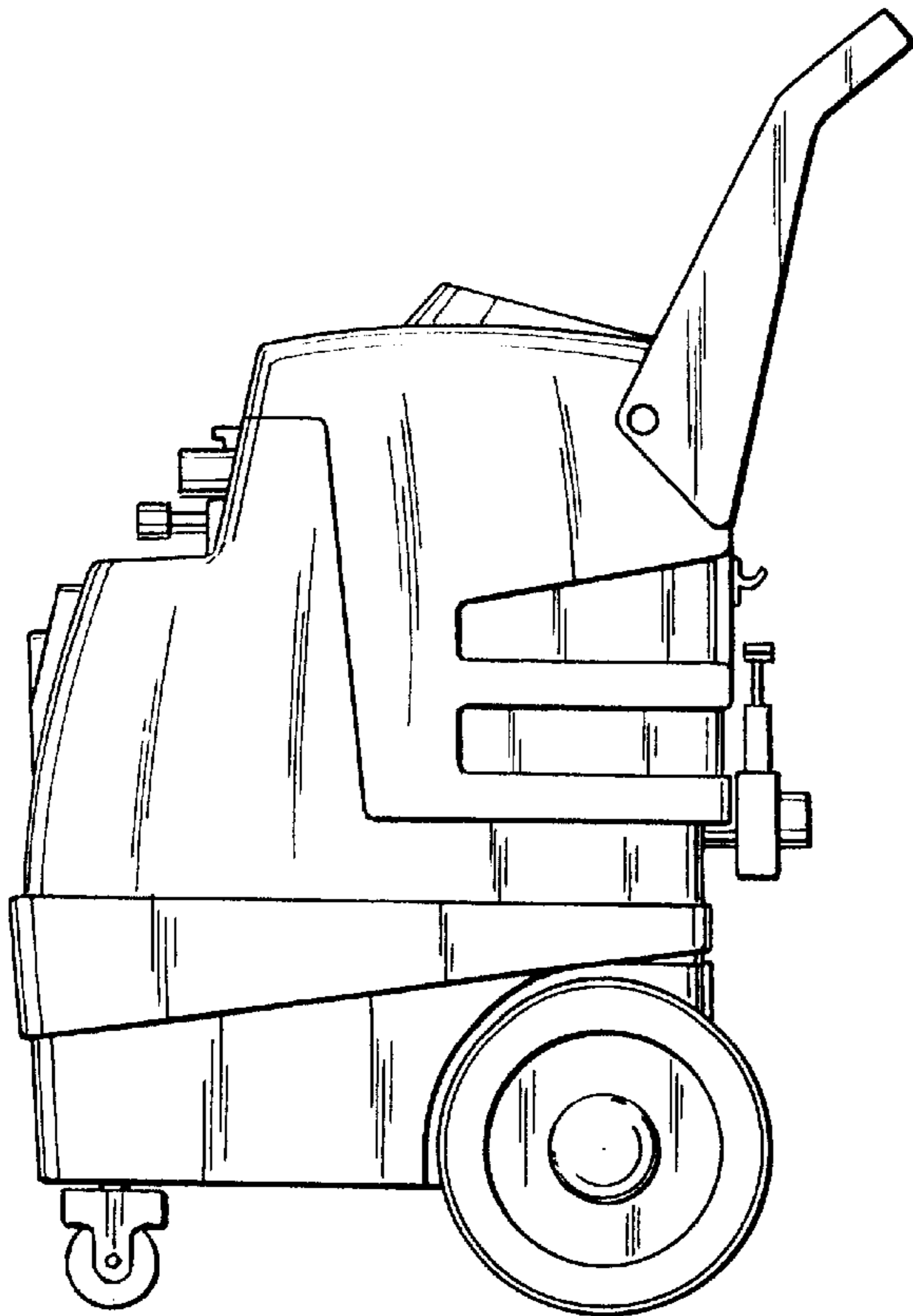


Fig. 4

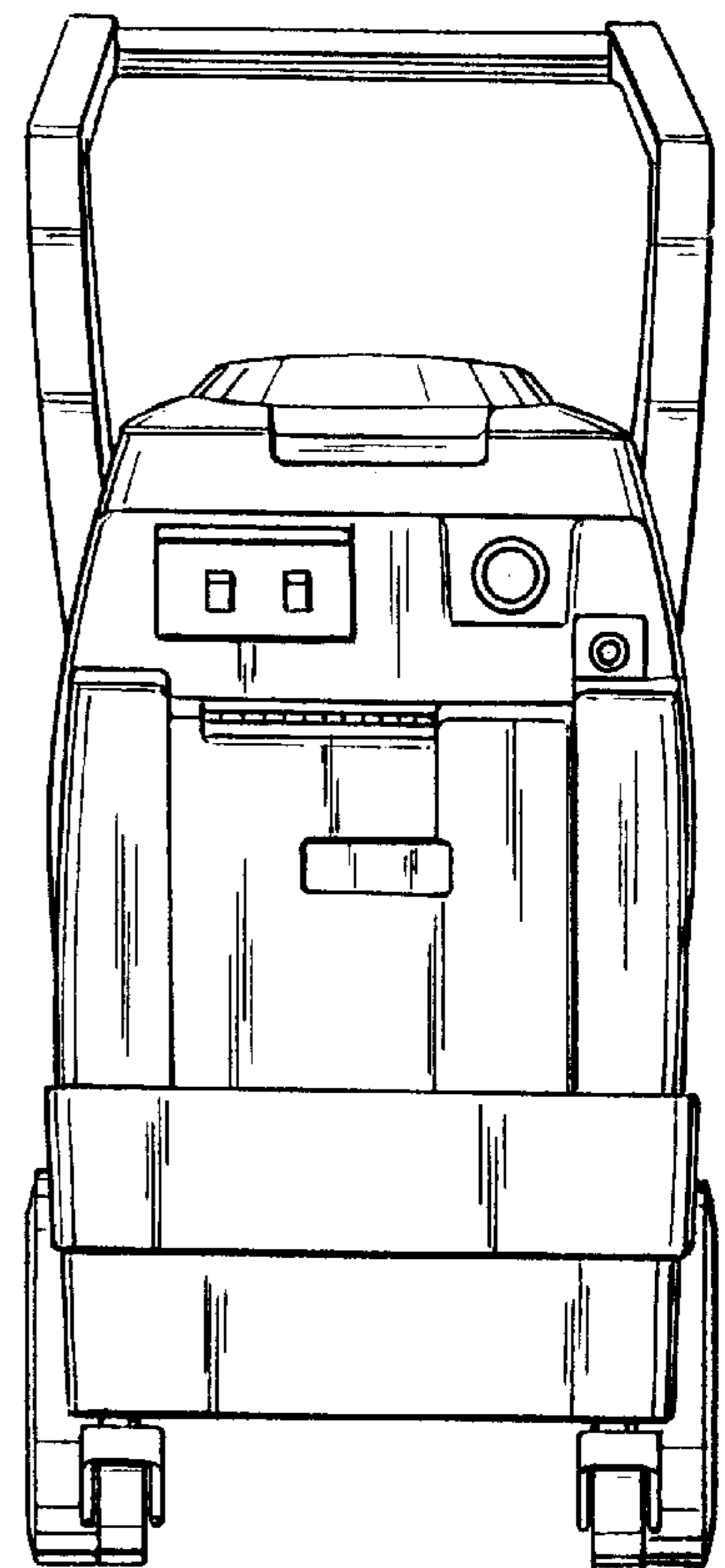


Fig. 5