



US00D420472S

United States Patent [19]

[11] **Patent Number: Des. 420,472**

Dellasandro et al.

[45] **Date of Patent: ** Feb. 8, 2000**

[54] **BIRD PERCH**

849,507	4/1907	Shay	119/533
3,810,445	5/1974	Stadler	119/537
5,381,758	1/1995	Simon	119/537
5,632,230	5/1997	Dornetta	119/537

[76] Inventors: **Joseph C. Dellasandro; Svea Maria Dellasandro**, both of 305 Courtyard La., Fayetteville, N.C. 28303

[**] Term: **14 Years**

Primary Examiner—Ruth McInroy
Assistant Examiner—Catherine R. Oliver
Attorney, Agent, or Firm—Richard C. Litman

[21] Appl. No.: **29/094,677**

[57] **CLAIM**

[22] Filed: **Oct. 7, 1998**

The ornamental design for a bird perch, as shown and described.

[51] **LOC (7) Cl.** **30-02**

[52] **U.S. Cl.** **D30/119**

[58] **Field of Search** D30/119, 108, D30/124, 160, 199; 119/57.8, 57.9, 464, 468, 531, 537, 786; 248/163.1; D6/512, 549, 552

DESCRIPTION

[56] **References Cited**

U.S. PATENT DOCUMENTS

D. 76,406	9/1928	Leon	D30/199
D. 380,877	7/1997	McNaughton	D30/124
D. 384,442	9/1997	Cirelli	D30/119
D. 385,066	10/1997	Doornbos	D30/119
D. 386,834	11/1997	Nissim et al.	D30/119
D. 398,469	9/1998	Leone et al.	D6/552
D. 400,314	10/1998	Nicolai et al.	D30/119

FIG. 1 is an perspective view of a bird perch showing our new design;

FIG. 2 is a front elevational view thereof;

FIG. 3 is a rear elevational view thereof;

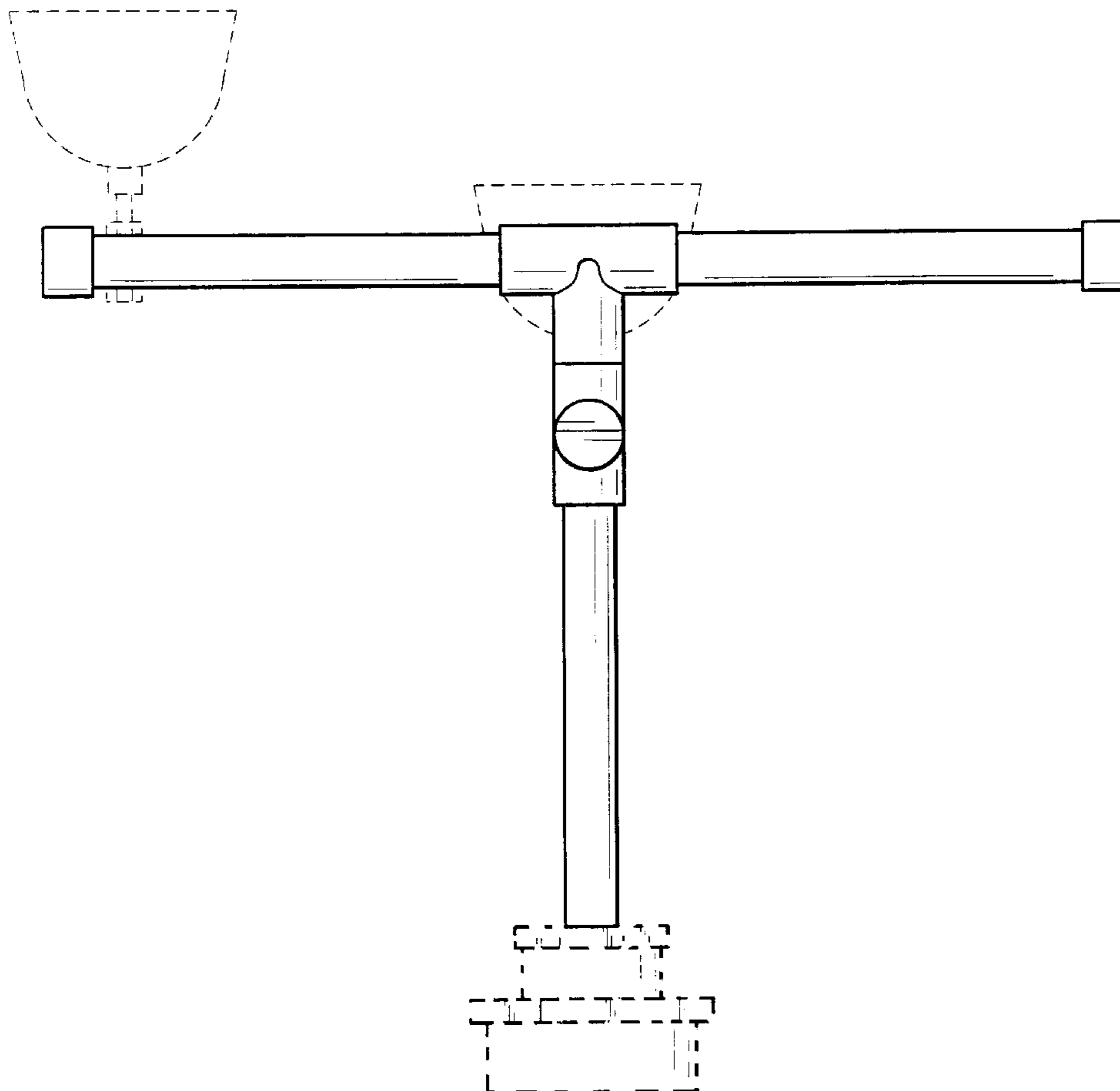
FIG. 4 is a left side elevational view thereof, the right side elevational view being a mirror image thereof;

FIG. 5 is a top view thereof; and,

FIG. 6 is a bottom view thereof.

The brokenline showing of a pair of cups, fasteners, a cylindrical base, a sink and a bird is for illustrative purposes only and forms no part of the claimed design.

1 Claim, 5 Drawing Sheets



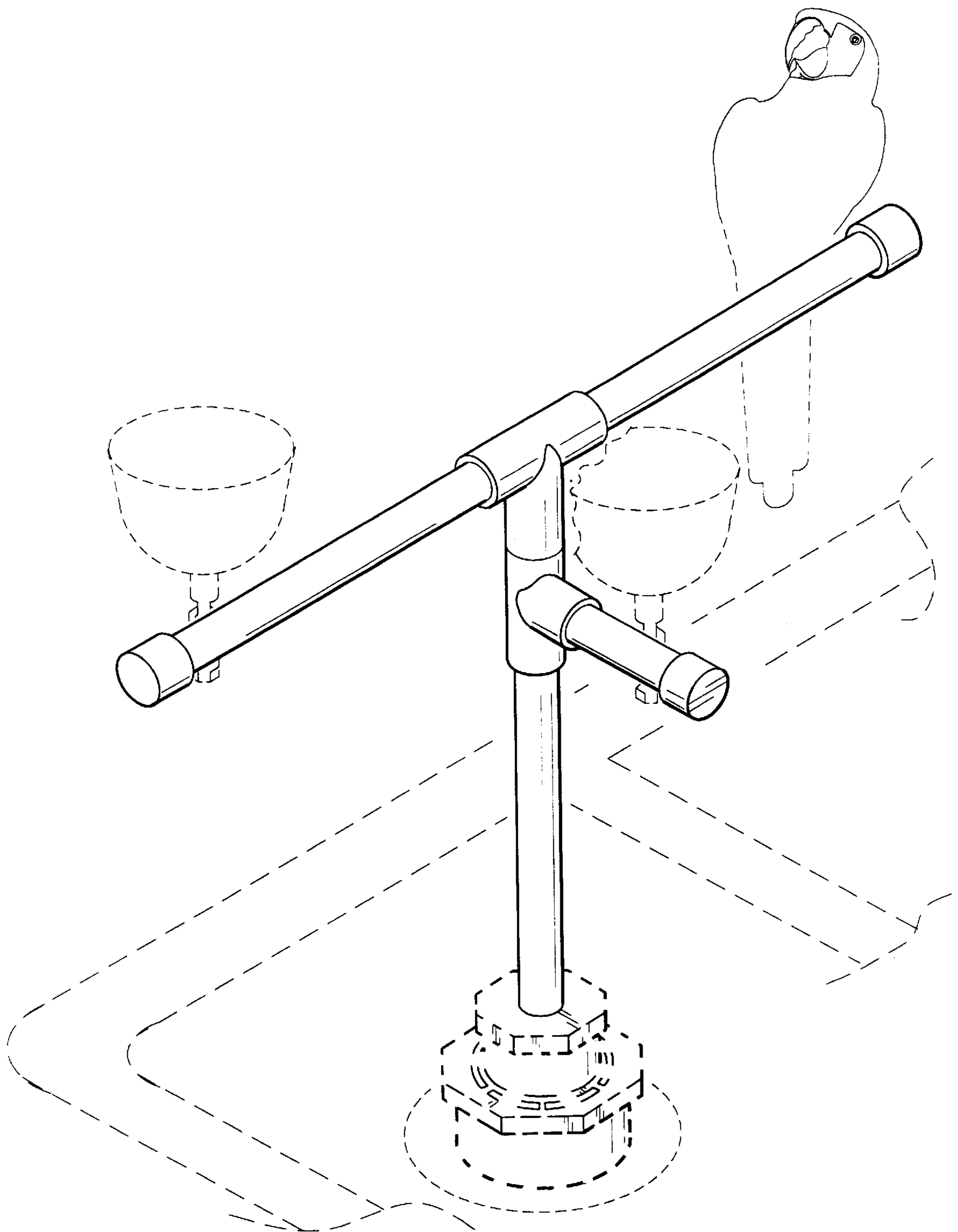


FIG. 1

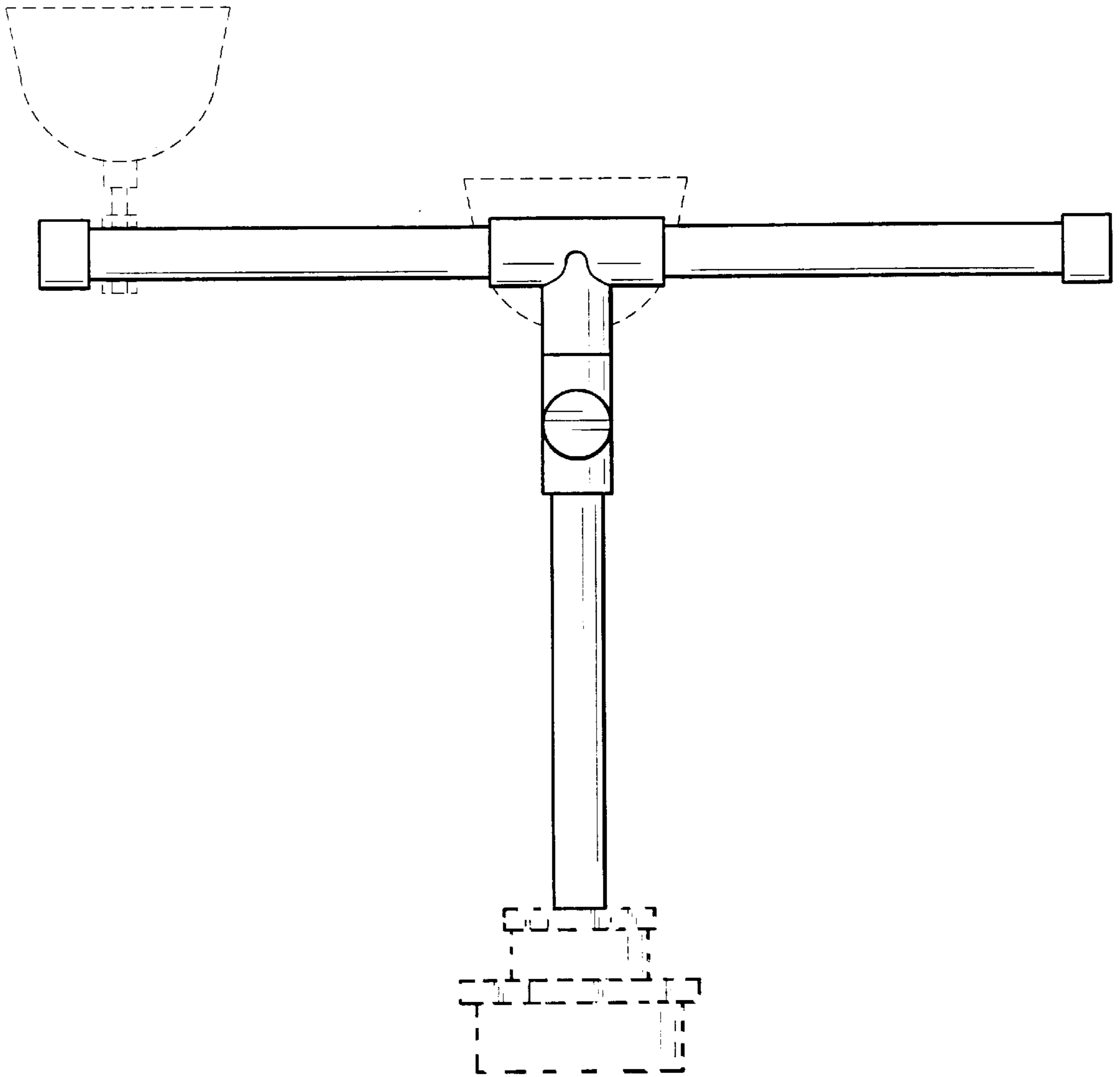


FIG. 2

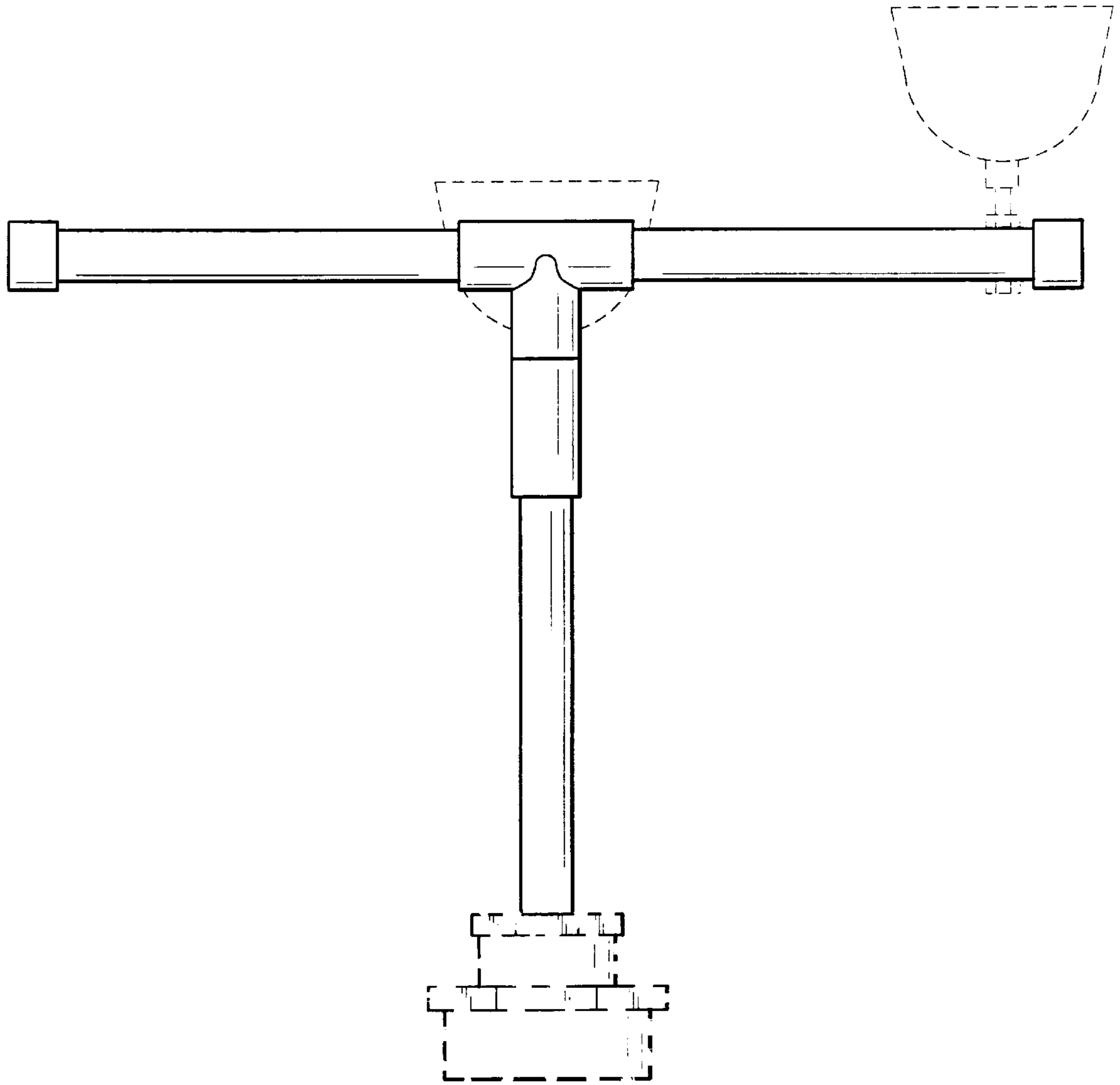


FIG. 3

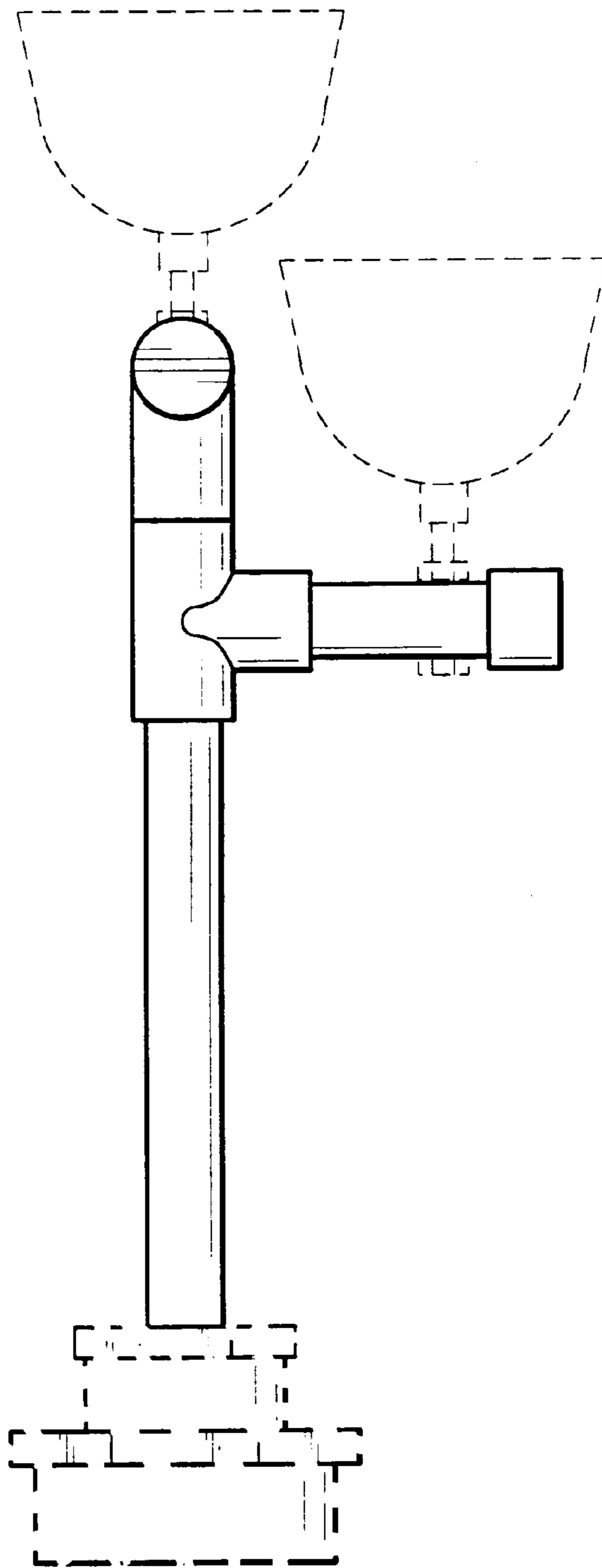


FIG. 4

