



US00D420469S

United States Patent [19]
Marshall

[11] **Patent Number: Des. 420,469**

[45] **Date of Patent: ** Feb. 8, 2000**

[54] **RESCUE LIFT**

[75] Inventor: **Stephen R. Marshall**, Pacific Palisades, Calif.

[73] Assignee: **Forespar Products Corp**, Rancho Santa Margarita, Calif.

[**] Term: **14 Years**

[21] Appl. No.: **29/085,388**

[22] Filed: **Mar. 23, 1998**

[51] **LOC (7) Cl.** **29-02**

[52] **U.S. Cl.** **D29/124**

[58] **Field of Search** D29/100, 101, D29/124; 441/83-85, 80; 182/3, 4, 6, 7, 9, 189, 193; 188/65.4, 65.5, 65.1; 294/19.1, 17, 24, 26; D6/347; D21/823, 825, 828, 831; 472/75, 78, 80, 118, 121, 133; 297/273, 259.3

[56] **References Cited**

U.S. PATENT DOCUMENTS

481,763	8/1892	Johnson	294/26
589,541	9/1897	Wilson	182/7
1,049,219	12/1912	Fink	182/7
1,482,056	1/1924	Watkins	294/26
2,924,291	2/1960	Tunstead	182/189
4,515,240	5/1985	Curtis	182/6
4,580,825	4/1986	Johnson	294/24

4,863,409	9/1989	Johnson et al.	441/80
5,660,099	8/1997	Figueira, Jr.	294/26
5,893,799	4/1999	Studley Jr., et al.	294/19.1

Primary Examiner—Louis S. Zarfaz
Assistant Examiner—Robert A. Delehanty
Attorney, Agent, or Firm—G. Donald Weber, Jr.

[57] **CLAIM**

The ornamental design for a rescue lift, as shown and described.

DESCRIPTION

FIG. 1 is a depiction of the rescue lift of the instant invention in order to display the environment in which the rescue lift may be used.

FIG. 2 is an enlarged front elevation view of the rescue lift of the instant invention.

FIG. 3 is an enlarged rear elevation view of the rescue lift of the instant invention.

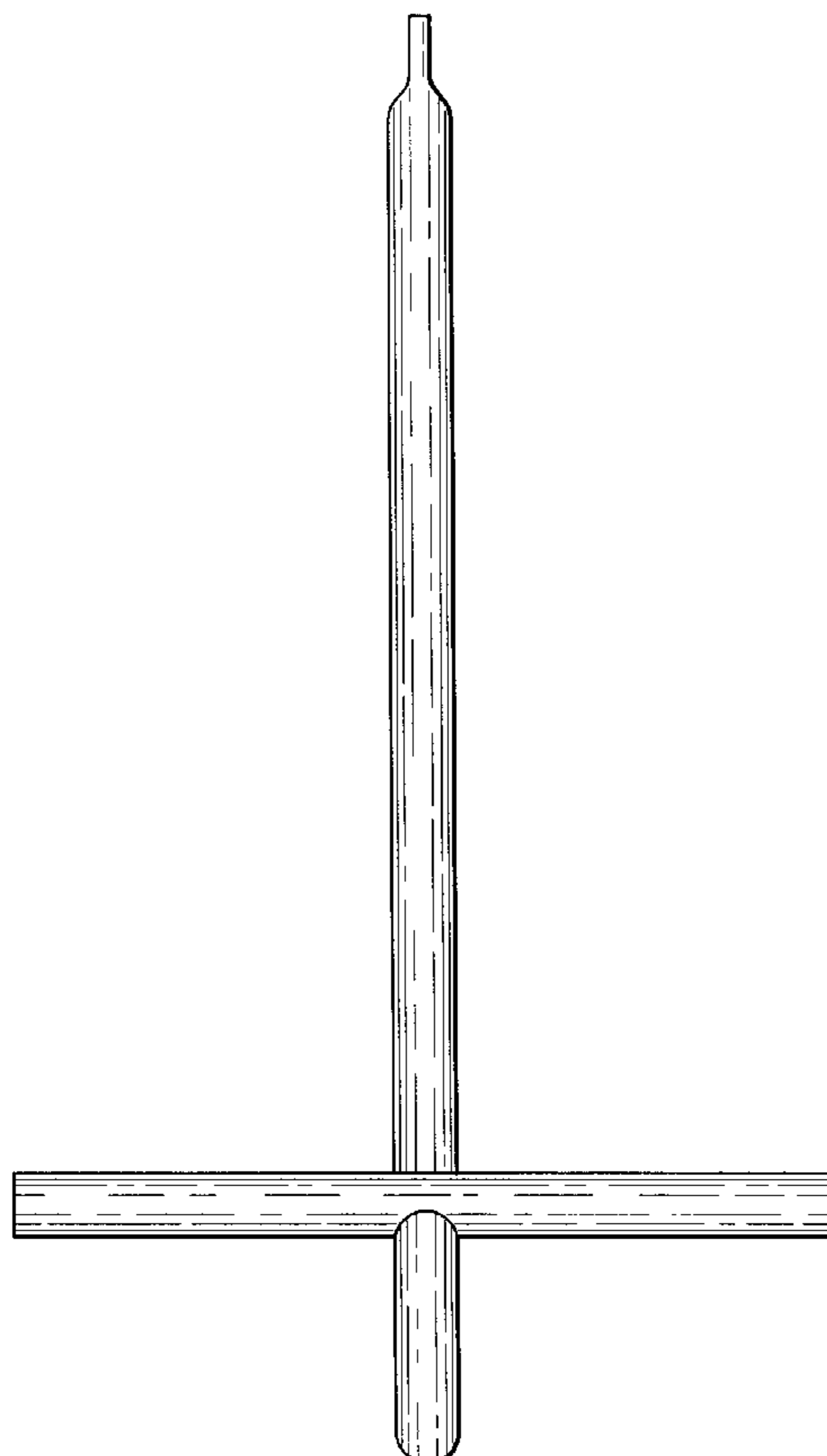
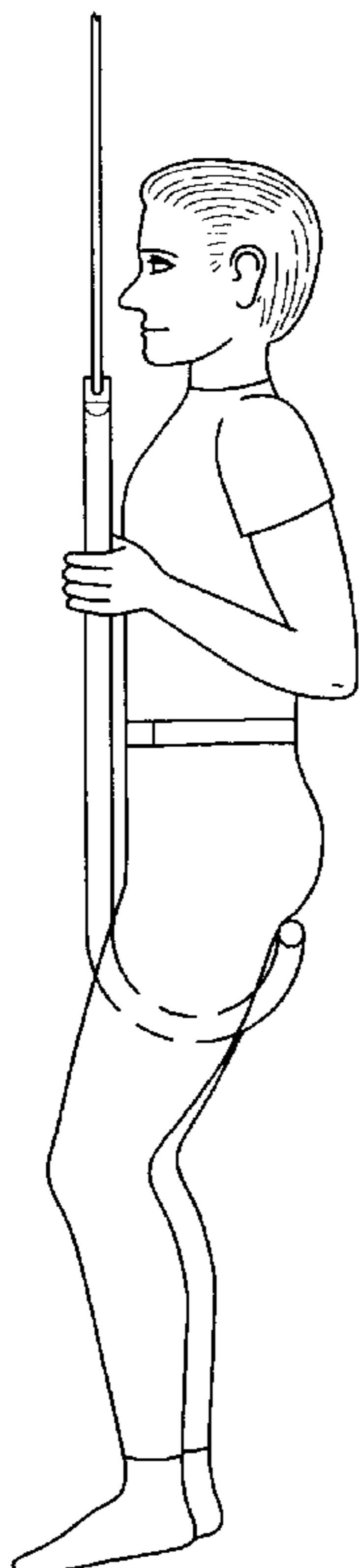
FIG. 4 is an enlarged side elevation view of the rescue lift of the instant invention. The opposite side elevation view is the mirror image.

FIG. 5 is an enlarged bottom view of the rescue lift of the instant invention.

FIG. 6 is an enlarged top view of the rescue lift of the instant invention.

The broken line showing of a human figure and rope is for illustrative purposes only and forms no part of the claimed design.

1 Claim, 1 Drawing Sheet



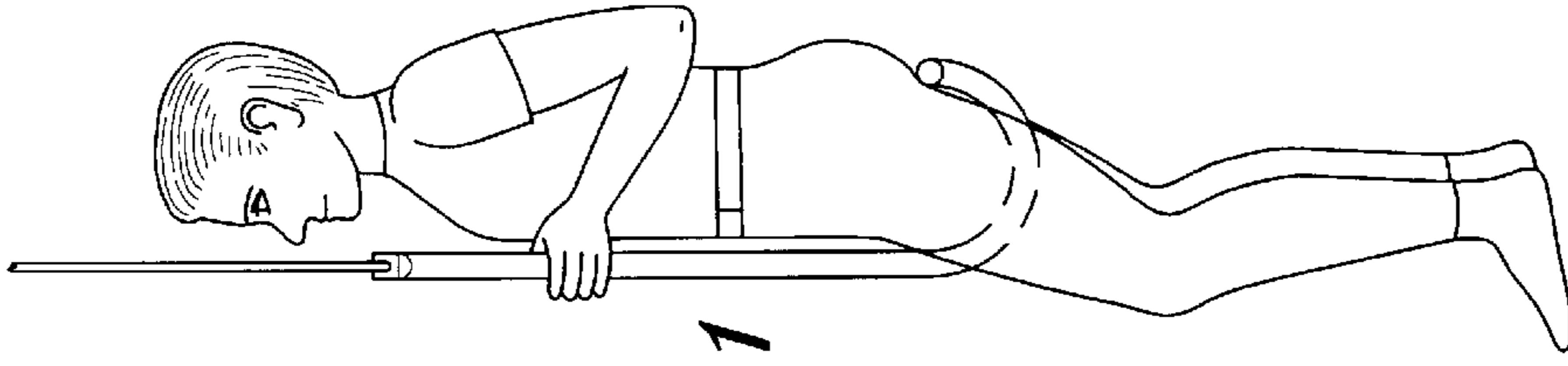


Fig. 1

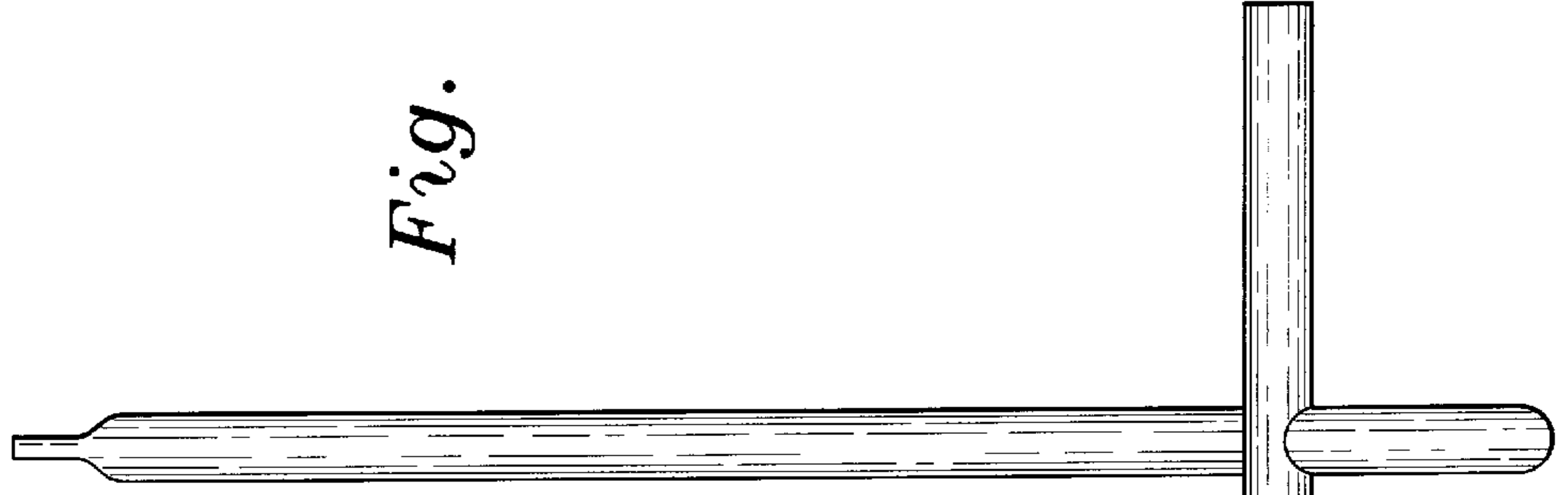


Fig. 2

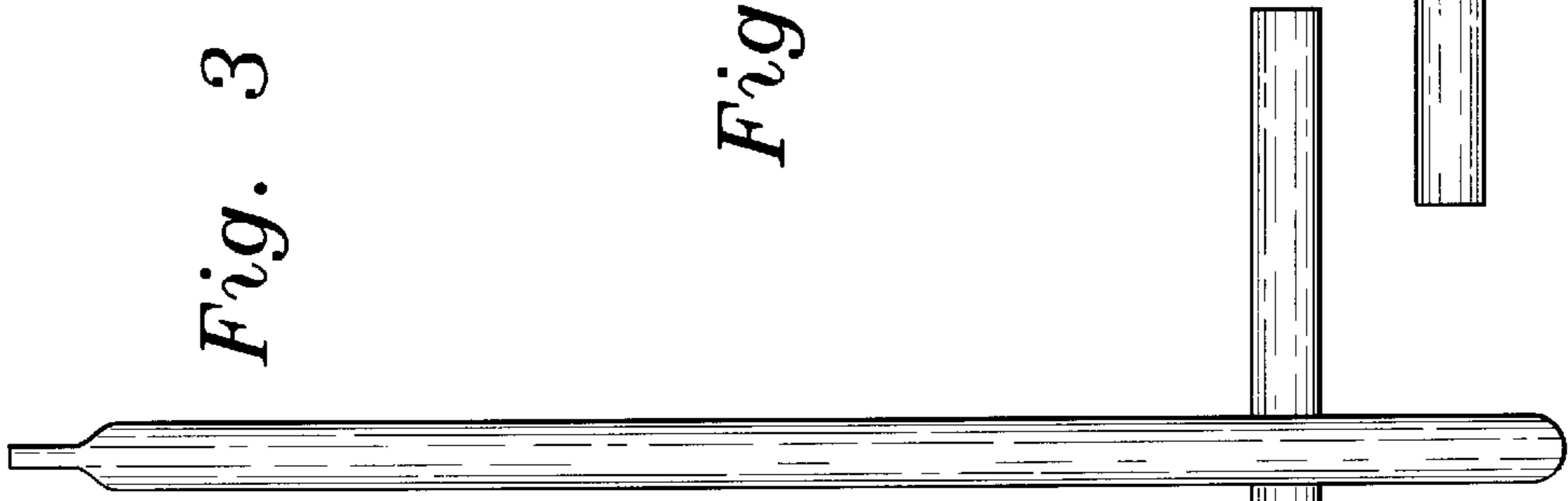


Fig. 3

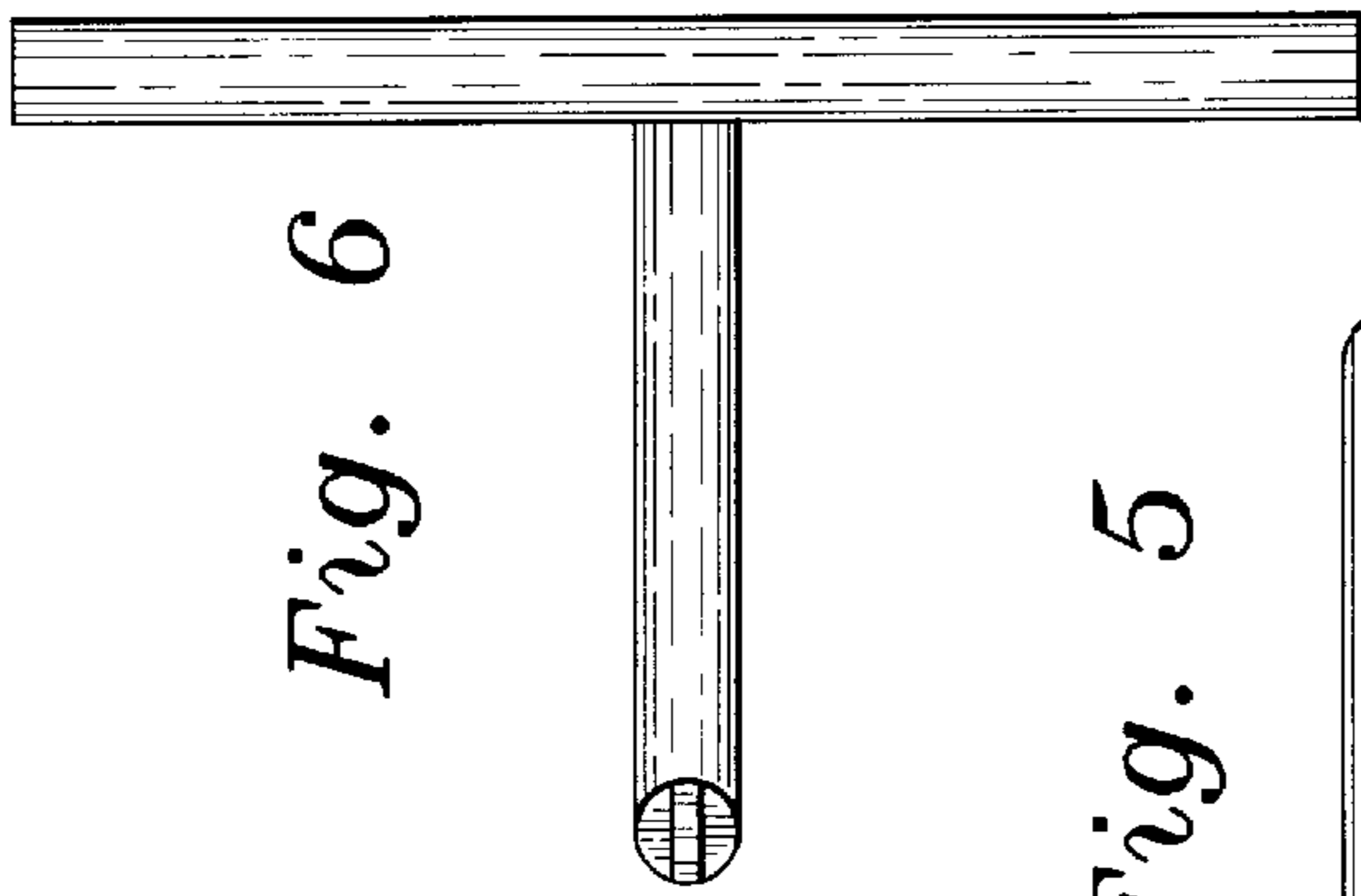


Fig. 4

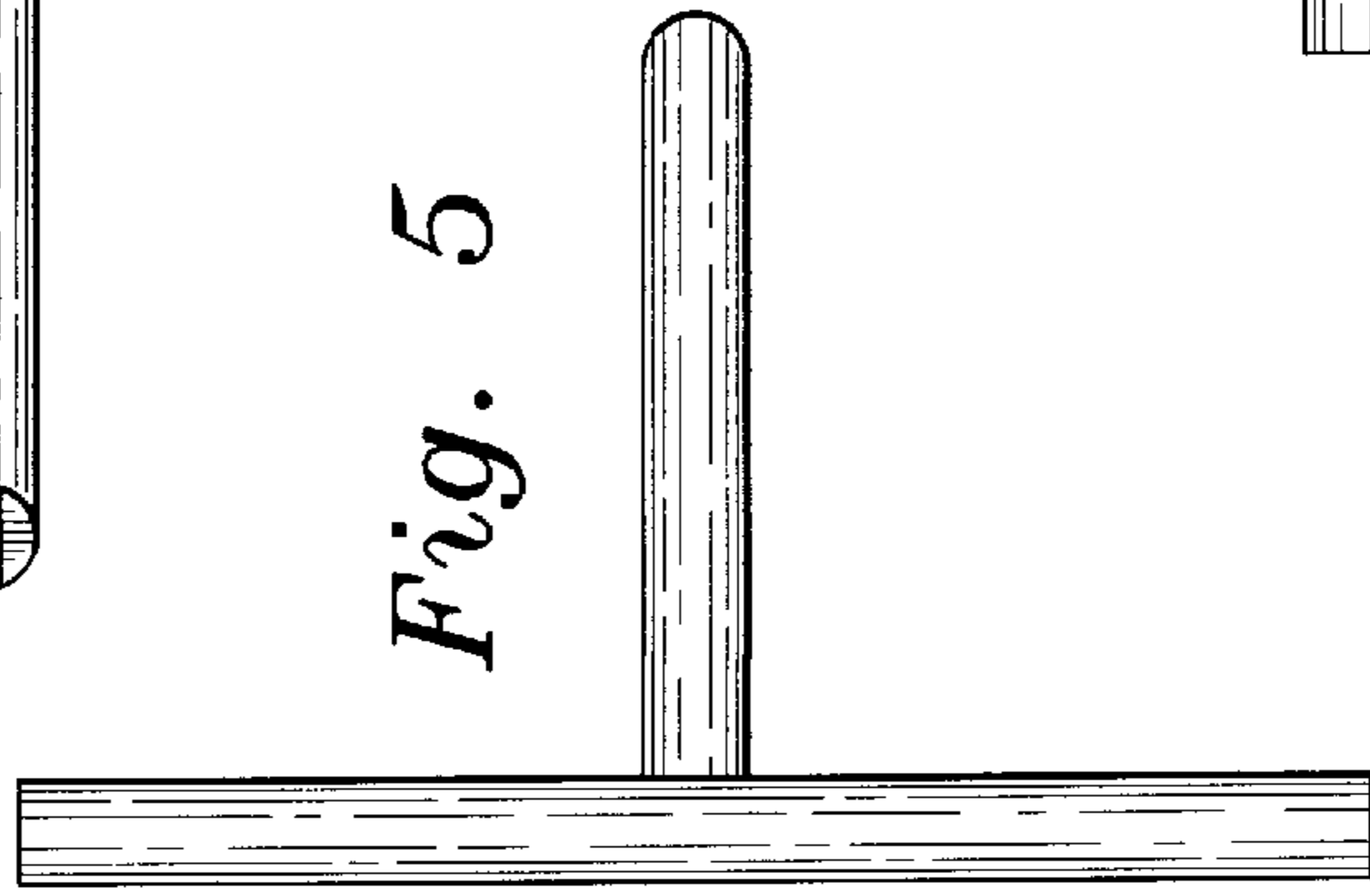


Fig. 5

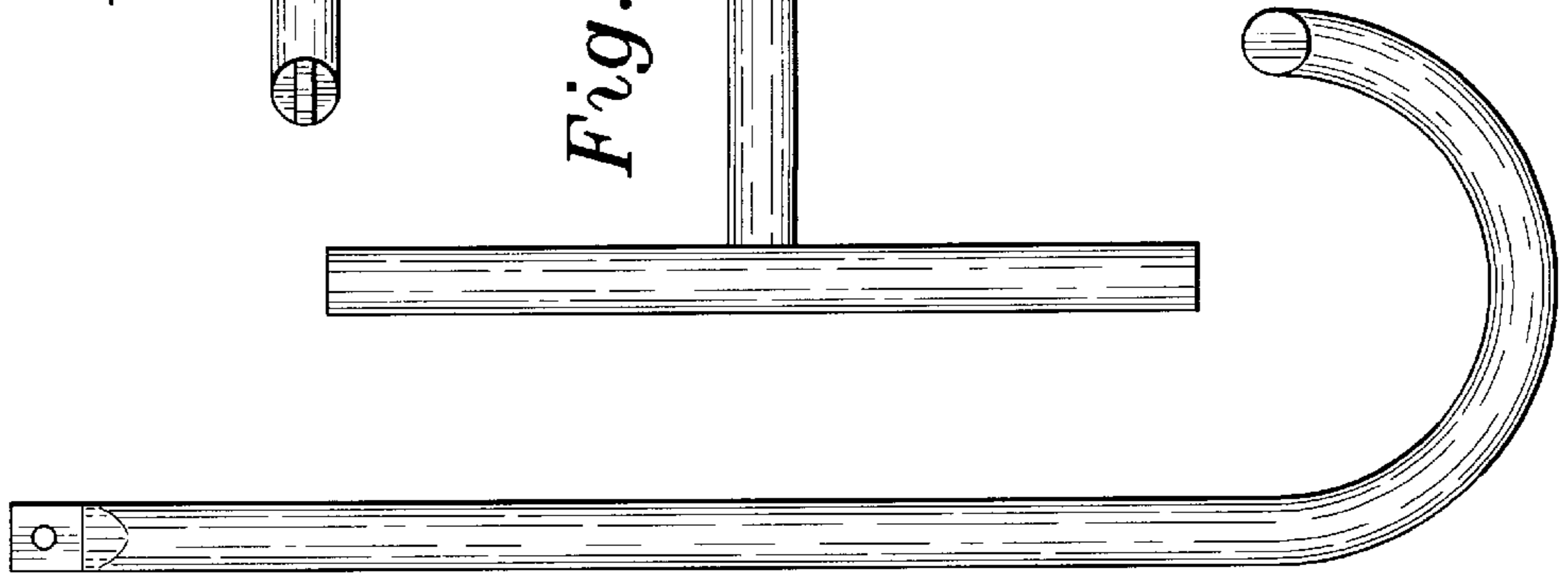


Fig. 6