



US00D420464S

United States Patent [19]
Binstock et al.

[11] **Patent Number: Des. 420,464**
[45] **Date of Patent: ** Feb. 8, 2000**

[54] **DETERGENT TABLET**

[75] Inventors: **Gary Benjamin Binstock**, Basking Ridge, N.J.; **Bruce Cummings**, New York, N.Y.; **Divaker Kenkare**, Califon, N.J.; **Kevin Mark Kinscherf**, Freehold, N.J.; **Steve Mark Phillips**, Highland Park, N.J.

[73] Assignee: **Colgate-Palmolive Co.**, New York, N.Y.

[**] Term: **14 Years**

[21] Appl. No.: **29/085,322**

[22] Filed: **Mar. 20, 1998**

[51] **LOC (7) Cl.** **28-02**

[52] **U.S. Cl.** **D28/8.1**

[58] **Field of Search** D28/4, 8.1, 8.2;
D23/207, 208; D24/100-104; 510/224,
225, 294, 298, 137-149, 440, 446, 447-449;
424/457-474

[56] **References Cited**

U.S. PATENT DOCUMENTS

D. 54,390	2/1920	De Mott	D28/8.1
D. 217,889	6/1970	Koenigsberg	D28/8.1
237,861	2/1881	Hare	D28/8.1 X
D. 258,091	1/1981	Reed et al.	D24/101
D. 375,157	10/1996	Kramer et al.	D24/101
D. 376,643	12/1996	Hatton et al.	D24/101
D. 403,396	12/1998	Lundbom et al.	D24/101
754,243	3/1904	Samuel	510/146
1,981,249	11/1934	Rosenblatt	510/142
3,048,526	8/1962	Boswell	424/472
3,557,003	1/1971	Morris et al.	510/298
4,438,010	3/1984	Lindauer et al.	510/143
5,262,132	11/1993	Bricker et al.	422/263

FOREIGN PATENT DOCUMENTS

292291 6/1928 United Kingdom .

OTHER PUBLICATIONS

Australian Registered Trademark No. 36,569; Jul. 17, 1923. Drug Standards, vol. 27, No. 5; Sep.-Oct. 1959, p. 126: tablet shapes in rows A and B. Blair Co. Cat. No. 766 of 1969, p. 24: oblong soaps shown by arrows. Physician's Desk Reference 49 Edition 1995, 1) p. 330: Flagyl® tablet; 2) p. 331: Relafen® tablet; 3) p. 334: Motrin® tablet Nos. 742 and 725.

Primary Examiner—Ted Shooman
Assistant Examiner—C. Tuttle
Attorney, Agent, or Firm—Michael McGreal

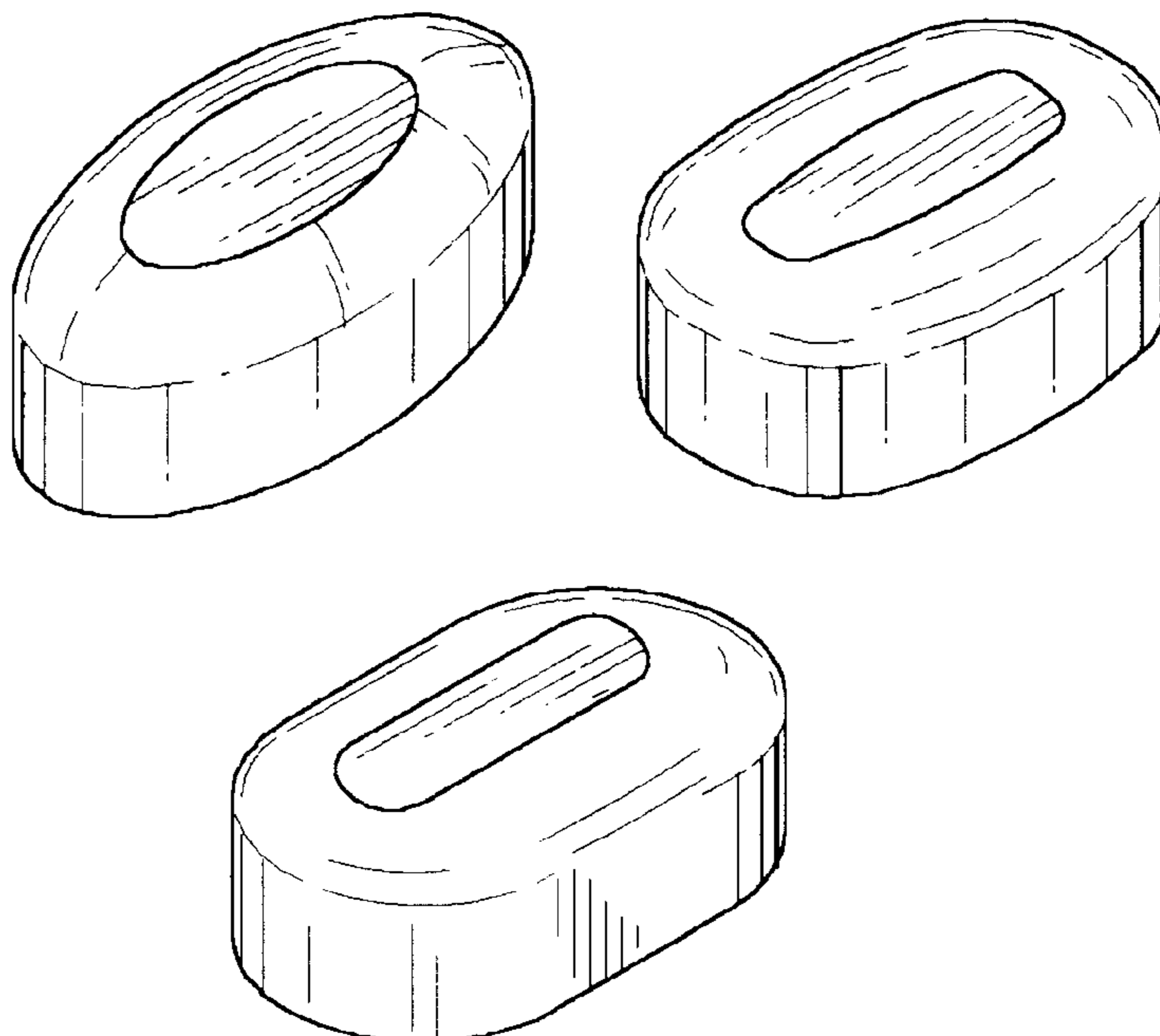
[57] **CLAIM**

The ornamental design for a detergent tablet, as shown and described.

DESCRIPTION

FIG. 1 is a perspective view of the detergent tablet of our design;
FIG. 2 is a front and rear side elevation view thereof;
FIG. 3 is a left and right side elevation view thereof;
FIG. 4 is a top and bottom plan view thereof;
FIG. 5 is a perspective view of a second embodiment of the detergent tablet of our design;
FIG. 6 is a front and rear elevation view thereof;
FIG. 7 is a left and right side elevation view thereof;
FIG. 8 is a top and bottom plan view thereof;
FIG. 9 is a perspective view of a third embodiment of the detergent tablet of our design;
FIG. 10 is a front and rear elevation view thereof;
FIG. 11 is a left and right side elevation view thereof; and,
FIG. 12 is a top and bottom plan view thereof.

1 Claim, 1 Drawing Sheet



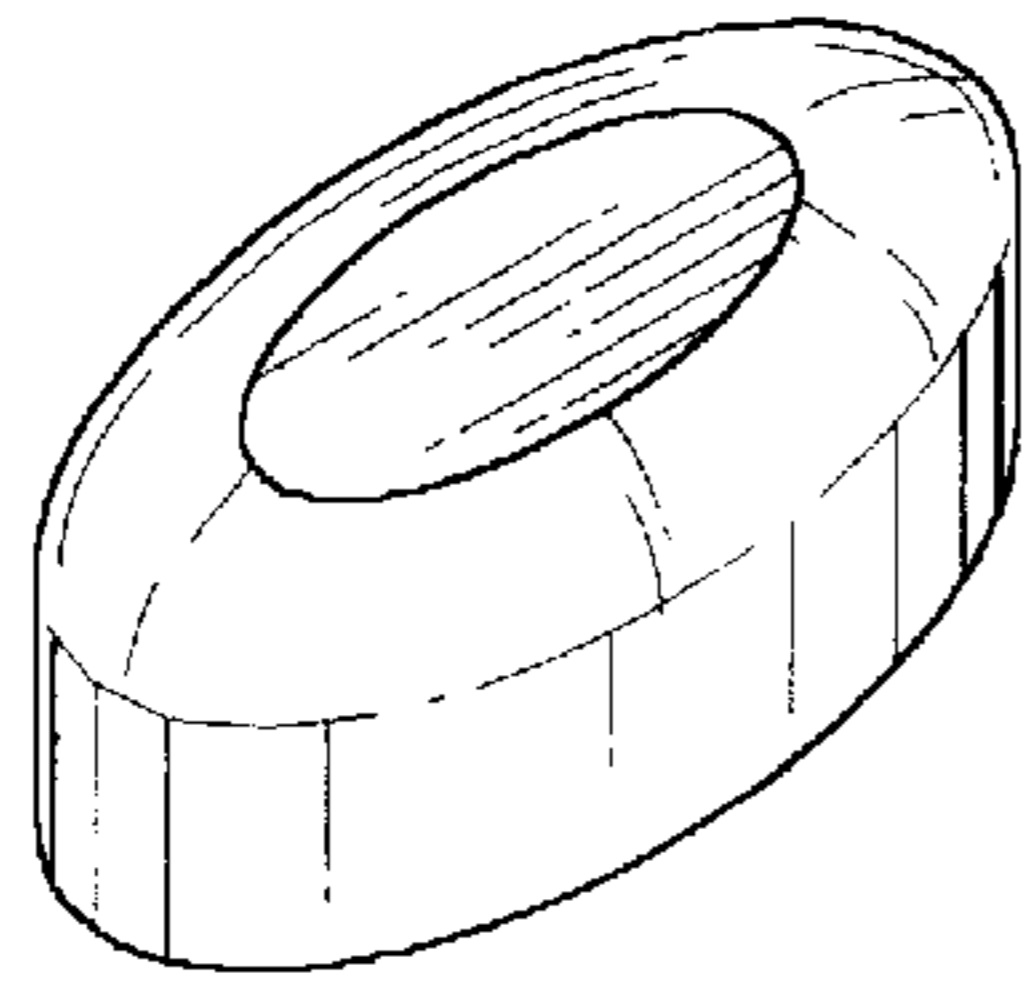


FIG. 1

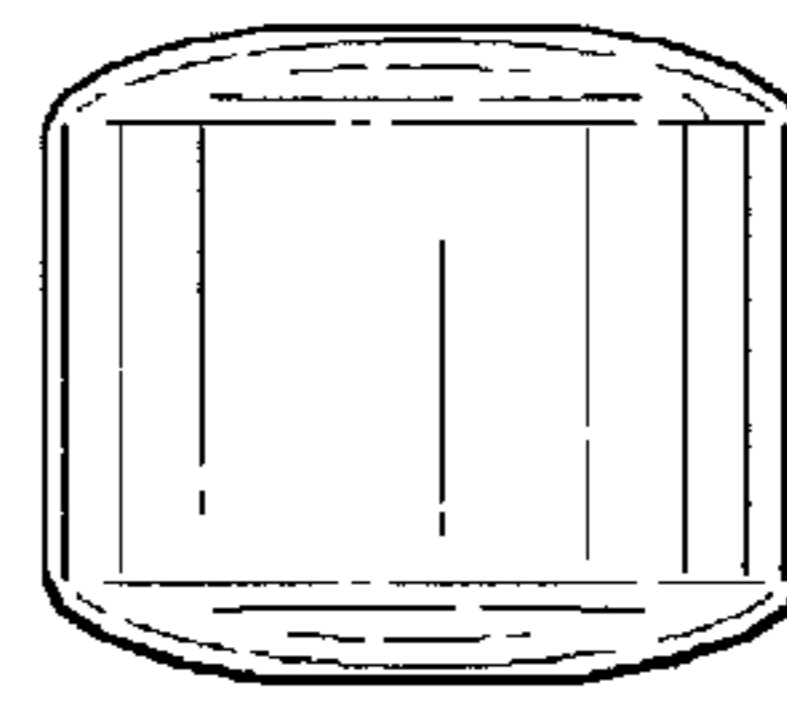


FIG. 3

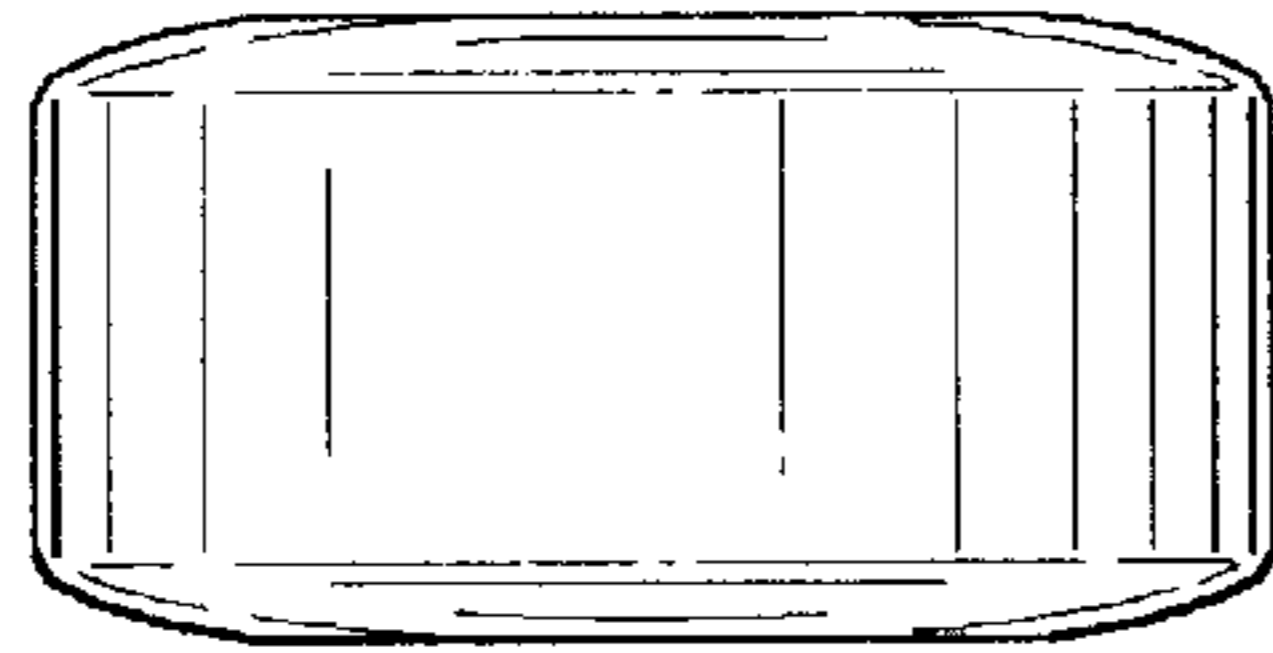


FIG. 2

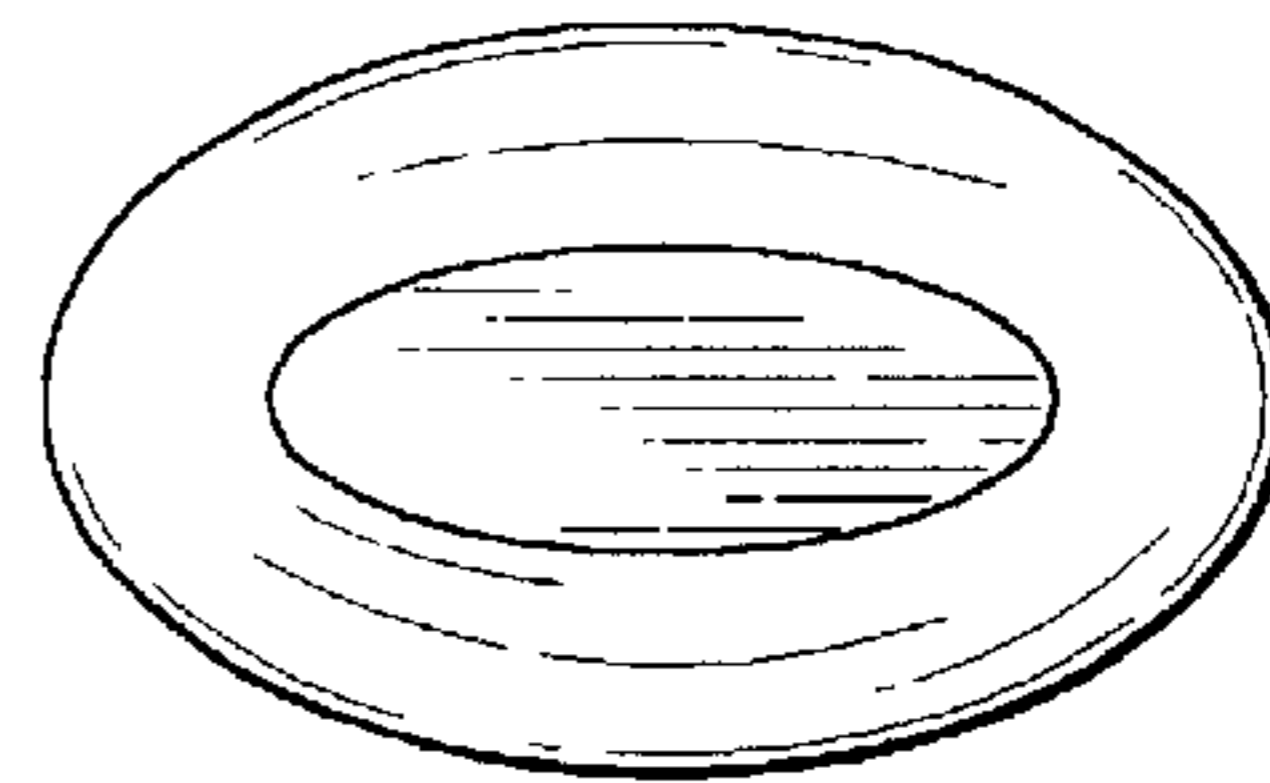


FIG. 4

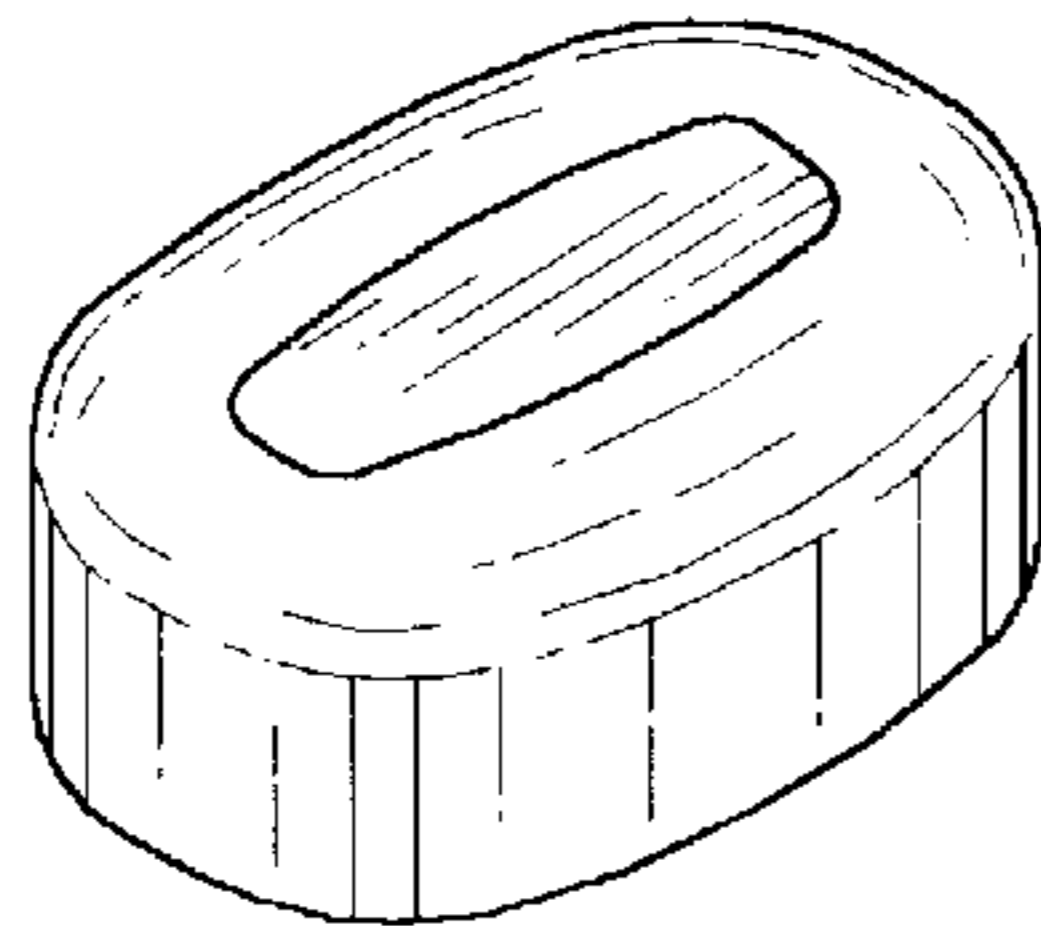


FIG. 5

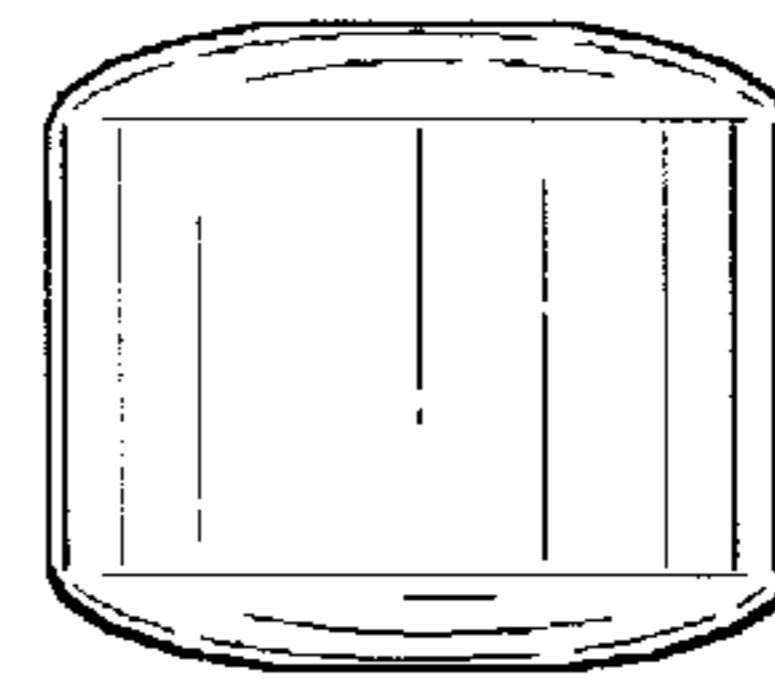


FIG. 7

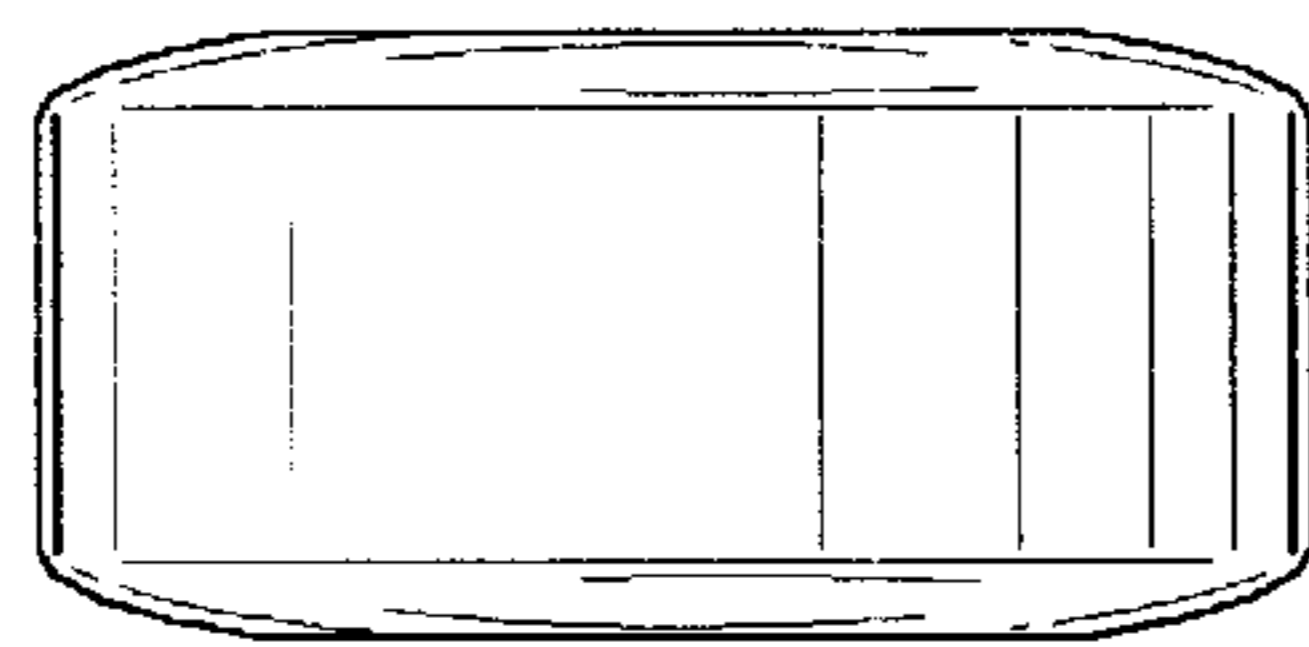


FIG. 6

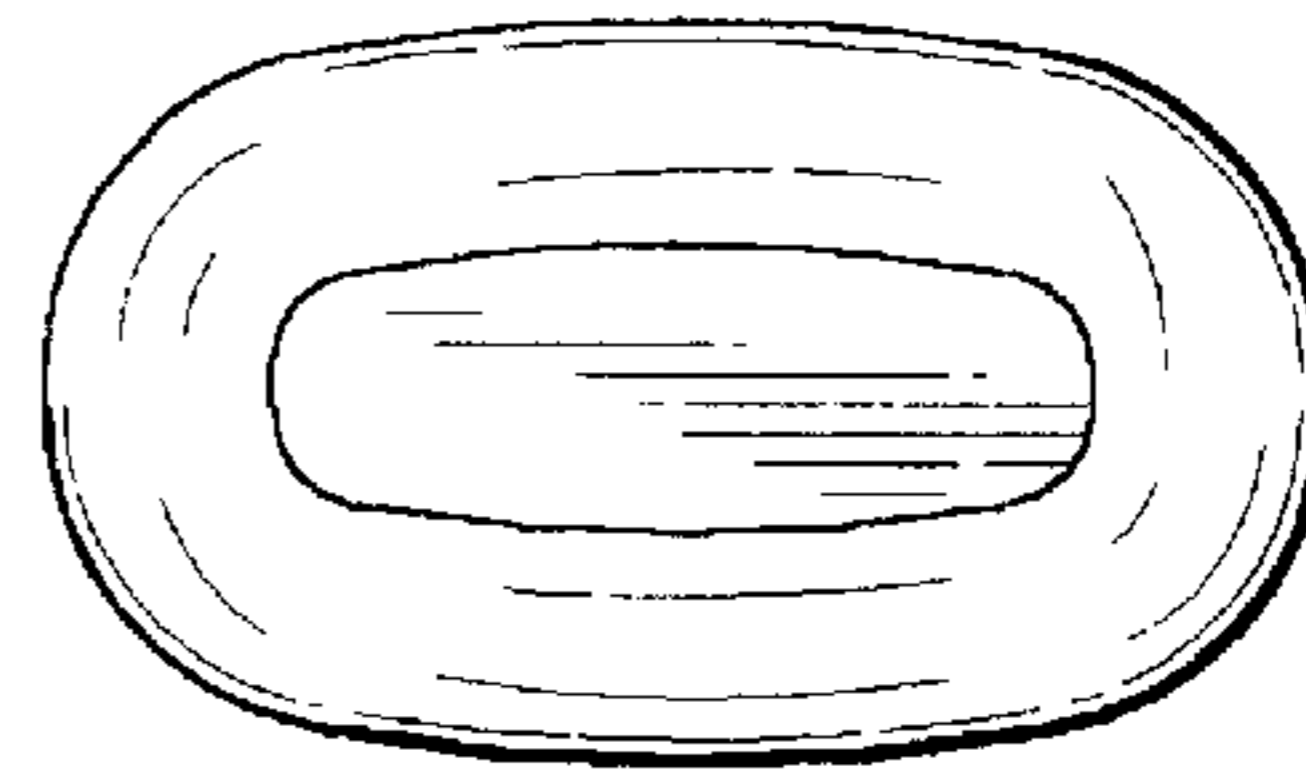


FIG. 8

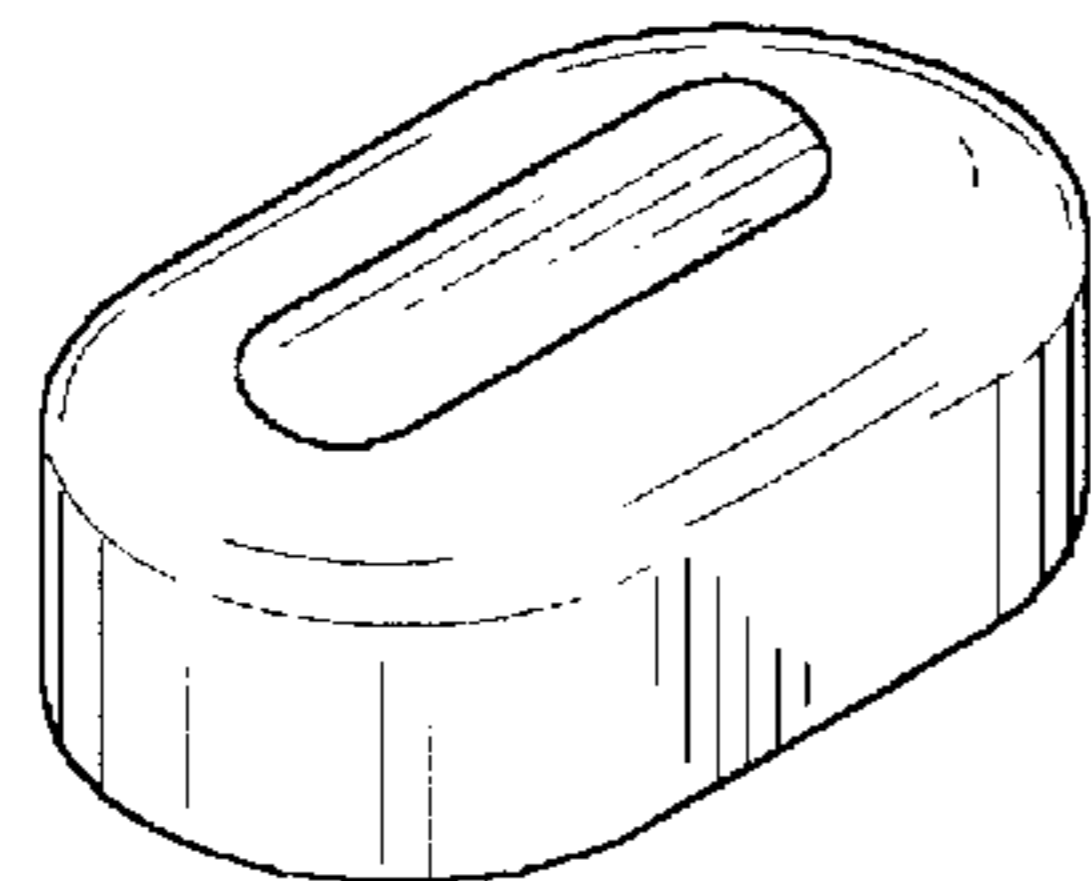


FIG. 9

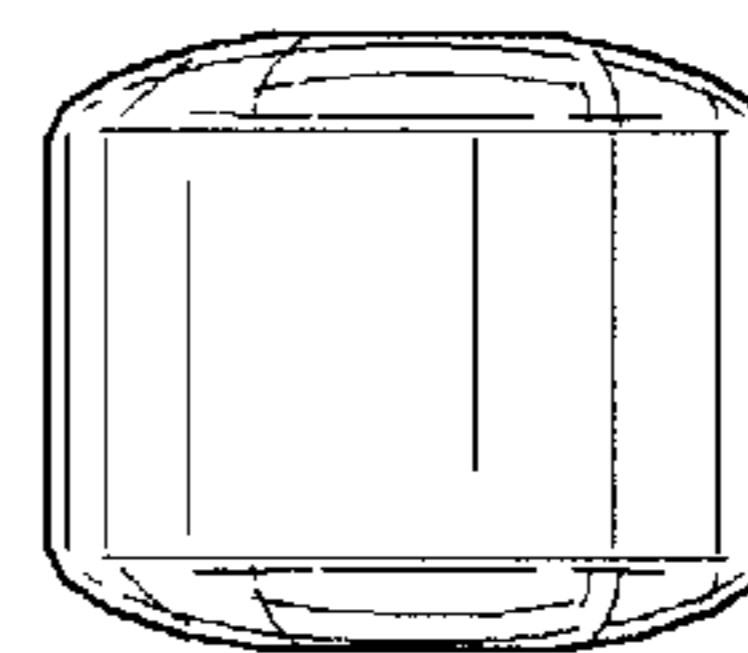


FIG. 11

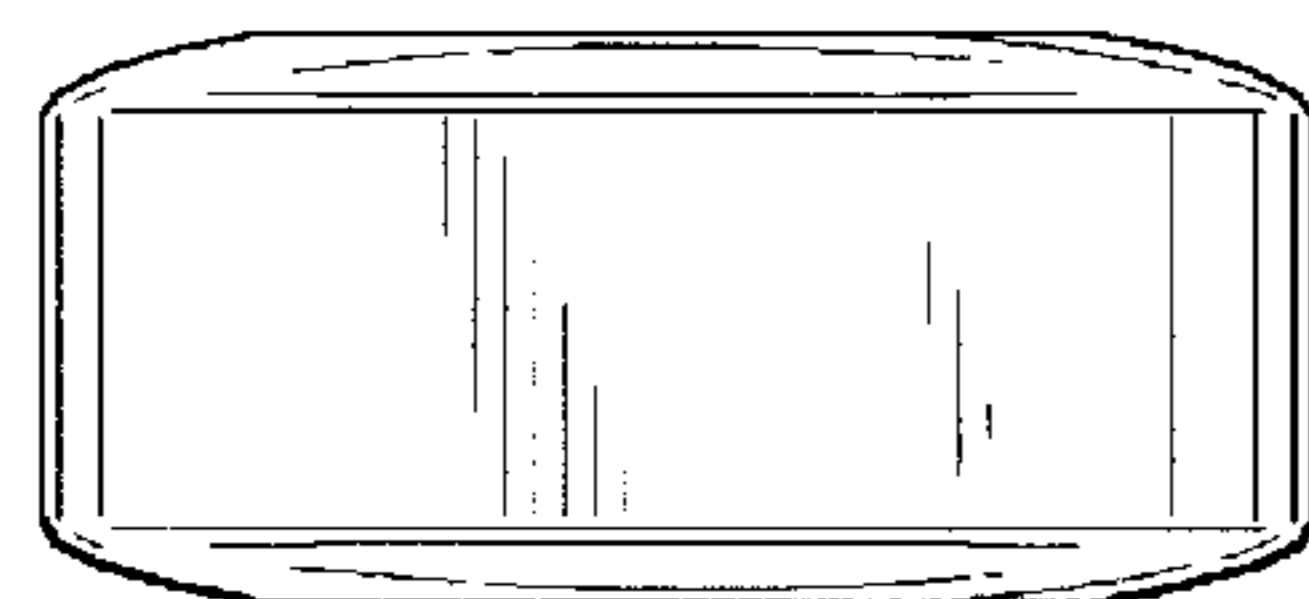


FIG. 10

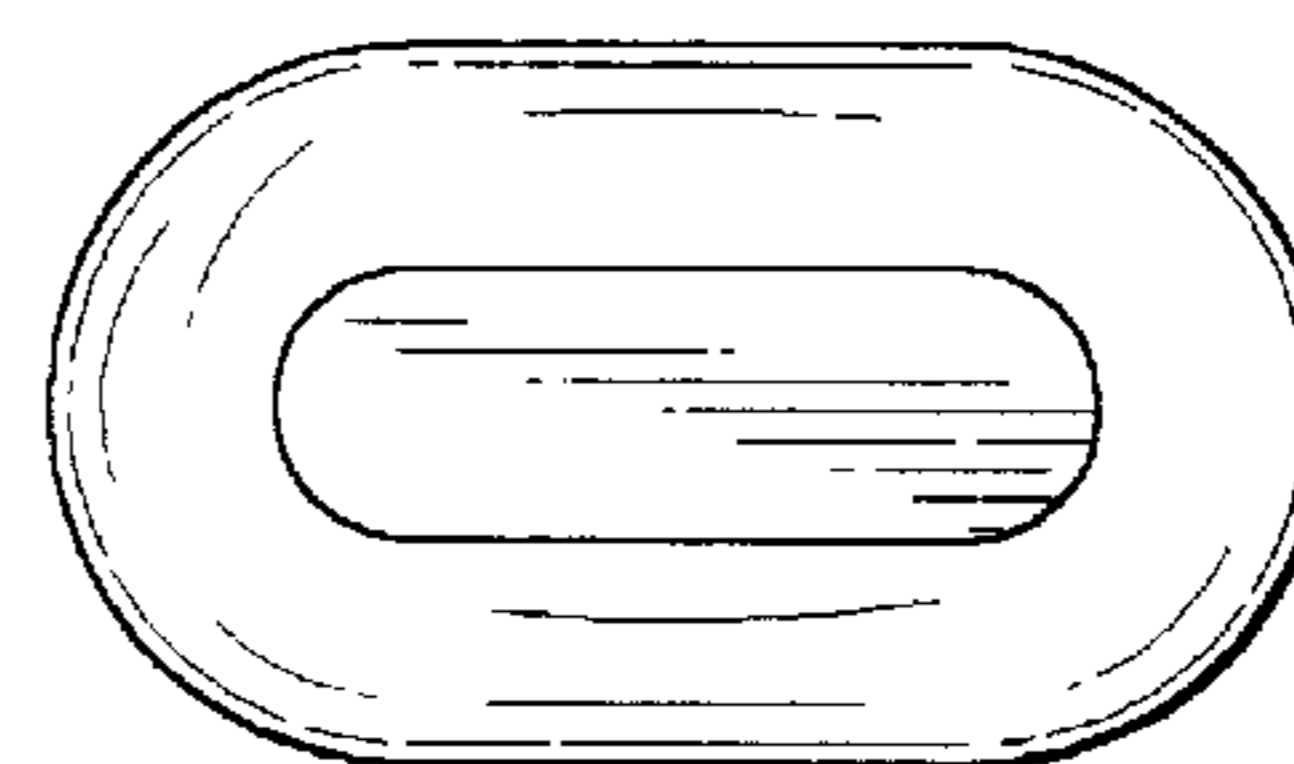


FIG. 12