



US00D420463S

# United States Patent [19]

Mandadi et al.

[11] Patent Number: Des. 420,463

[45] Date of Patent: \*\* Feb. 8, 2000

[54] DENTIFRICE

[75] Inventors: **Prakasarao Mandadi**, Somerville;  
**Gary Edward Tambs**, Belle Mead;  
**Benjamin Yap Mandanas**, Freehold,  
all of N.J.; **Andrea Quadrini**, New  
York, N.Y.

[73] Assignee: **Colgate-Palmolive Company**, New  
York, N.Y.

[\*\*] Term: **14 Years**

[21] Appl. No.: **29/080,754**

[22] Filed: **Dec. 15, 1997**

[51] LOC (7) Cl. .... **28-02**

[52] U.S. Cl. .... **D28/4; D28/8.1**

[58] Field of Search ..... D28/4, 8.1; D9/302,  
D9/337; D1/101, 126, 127, 130, 199; D25/119-121;  
222/1, 94, 145.1; 401/34, 35, 47, 49; 425/131.1;  
426/249; 424/49-58, 10.3, 10.32; 264/73,  
75, 171.1, 173.11, 148, 177.11

### [56] References Cited

#### U.S. PATENT DOCUMENTS

D. 304,382	10/1989	Mohrle	.....	D28/8.1
D. 307,091	4/1990	Mohrle	.....	D28/8.1
2,174,779	10/1939	Delorme	.....	425/131.1
3,042,263	7/1962	Gallo, Sr.	.....	222/94
3,980,767	9/1976	Chown et al.	..	
4,098,435	7/1978	Weyn	..	
4,487,757	12/1984	Kiozpeplou	.....	424/49
4,518,578	5/1985	Hayes et al.	..	
4,568,534	2/1986	Stier et al.	..	
4,715,518	12/1987	Moore	.....	222/257
4,786,243	11/1988	Kehoe	.....	425/131.1

4,814,160	3/1989	Carter et al.	..	
5,035,349	7/1991	Donahue	.....	222/94 X
5,324,505	6/1994	Kornettka et al.	..	
5,553,747	9/1996	Raba et al.	.....	222/94
5,599,525	2/1997	Hsu et al.	..	
5,690,913	11/1997	Hsu et al.	..	
5,756,073	5/1998	Miller et al.	..	

#### FOREIGN PATENT DOCUMENTS

3006684	8/1981	Germany	.....	401/35
363272670	11/1988	Japan	.....	222/94
403243396	10/1991	Japan	.....	401/35
670612	6/1989	Switzerland	.....	222/94

#### OTHER PUBLICATIONS

Washington Daily News Feb. 26, 1958 p. 24: striped toothpaste.

*Primary Examiner*—Ted Shooman  
*Assistant Examiner*—C Tuttle  
*Attorney, Agent, or Firm*—Michael McGreal

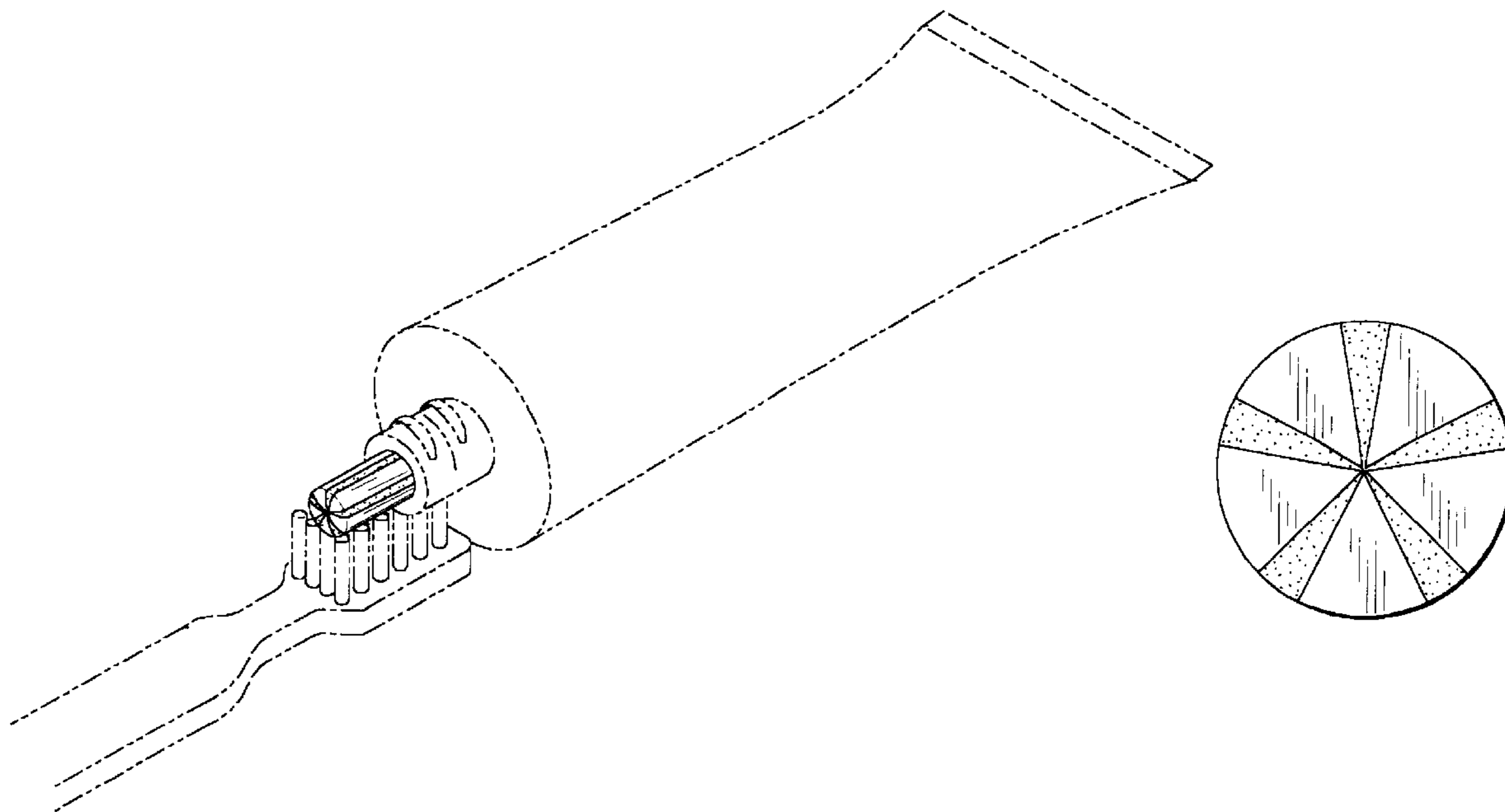
### [57] CLAIM

The ornamental design for a dentifrice, as shown and described.

#### DESCRIPTION

FIG. 1 is a perspective view of the dentifrice showing our new design extended onto a toothbrush, the broken lines showing the tube and toothbrush being for illustrative purposes only and forming no part of the claimed design; FIG. 2 is a side elevation view thereof; FIG. 3 is a right and left end elevational view thereof; FIG. 4 is a top plan view thereof; and, FIG. 5 is a bottom plan view thereof.

1 Claim, 2 Drawing Sheets



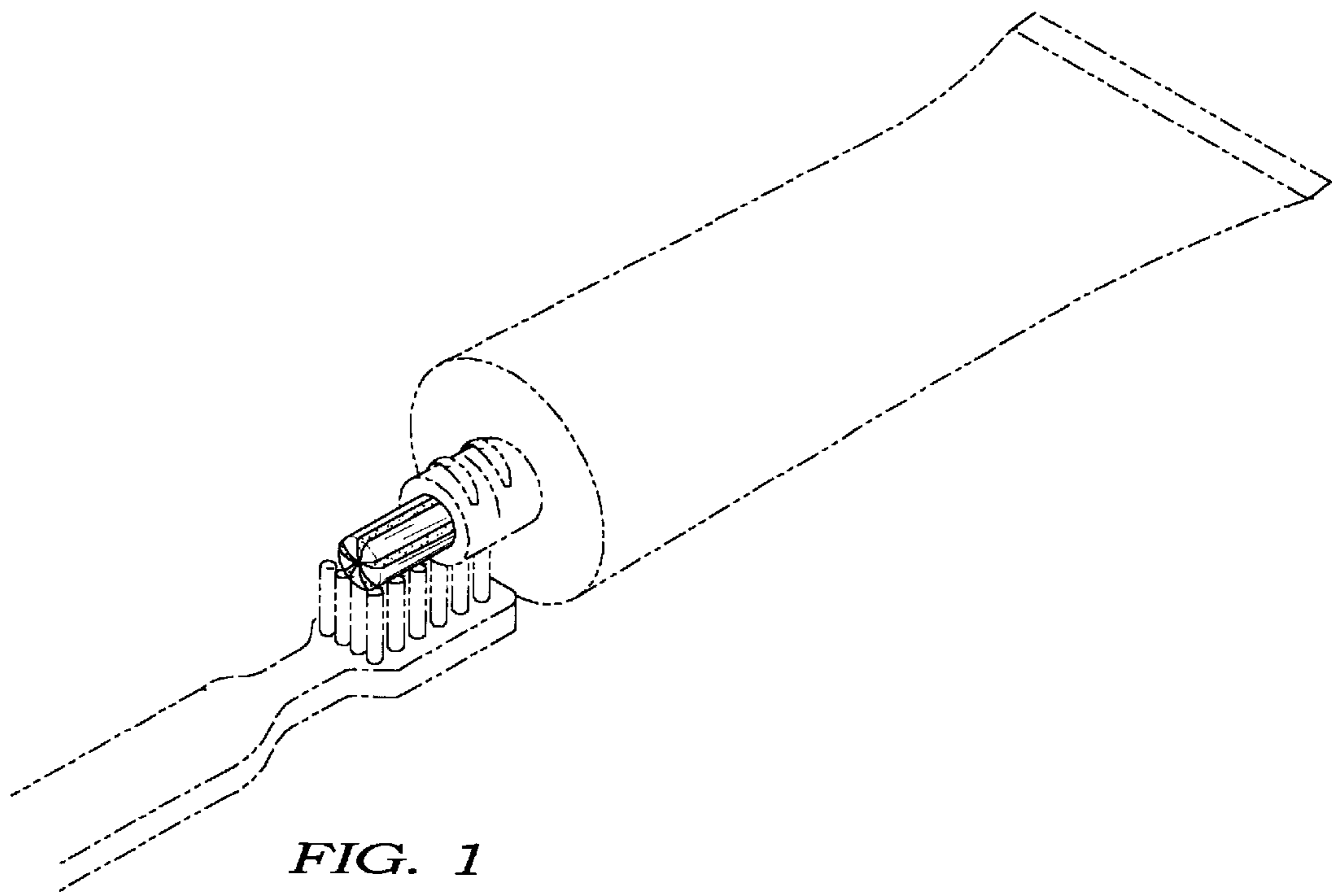


FIG. 1

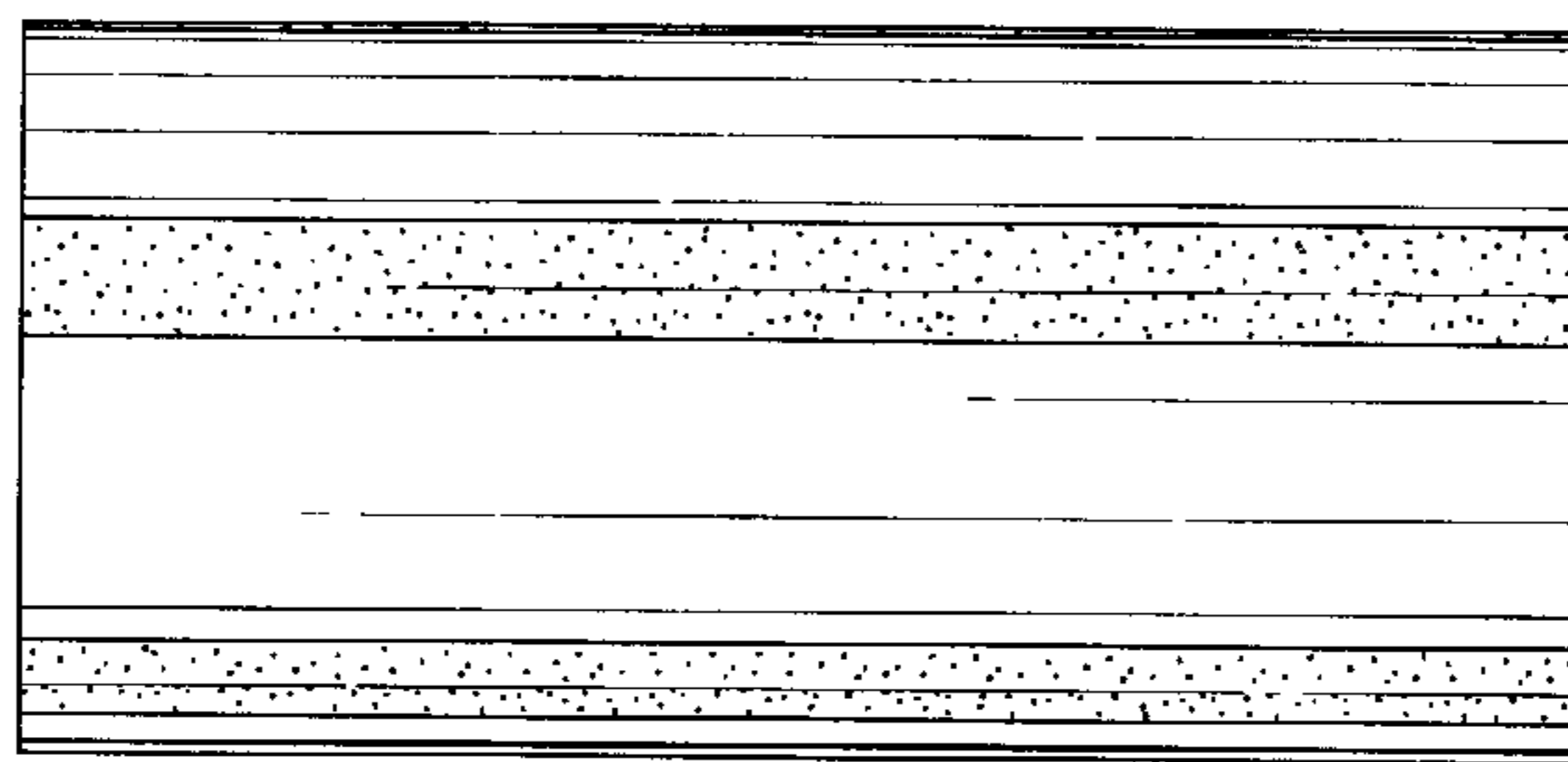


FIG. 2

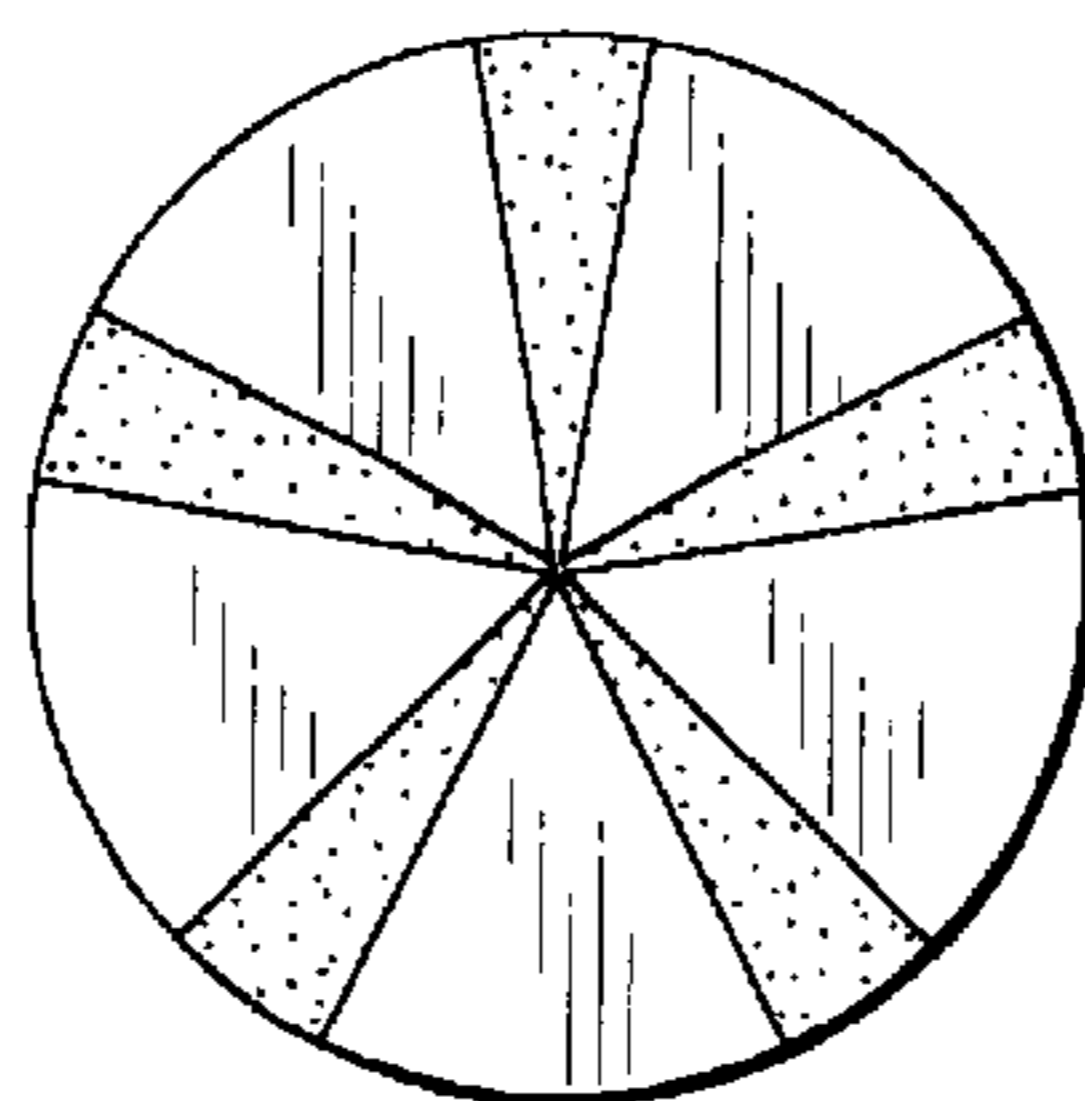
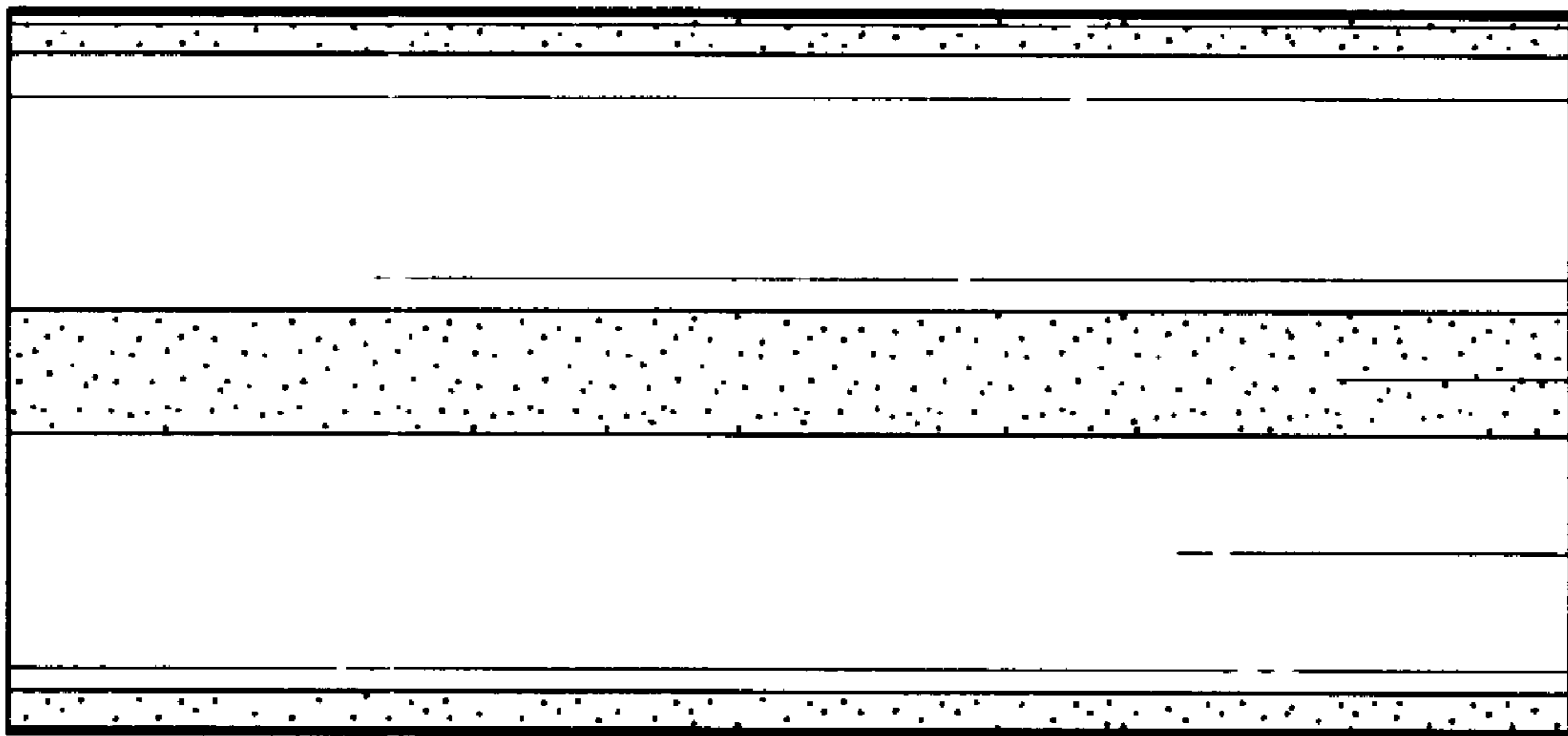
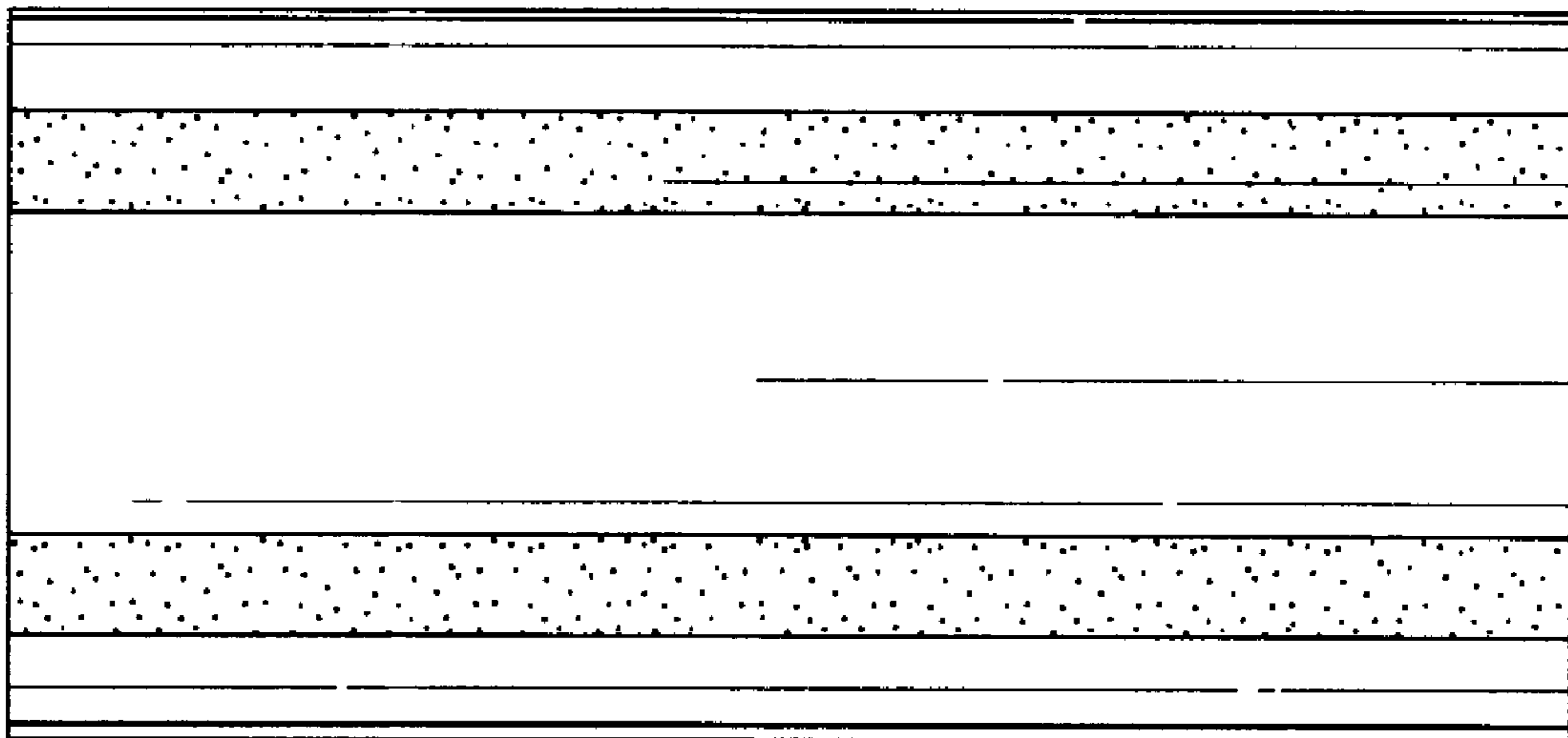


FIG. 3



*FIG. 4*



*FIG. 5*