



US00D420460S

# United States Patent [19]

[11] **Patent Number: Des. 420,460**

**Meck et al.**

[45] **Date of Patent: \*\* Feb. 8, 2000**

[54] **OUTDOOR LANTERN**

[75] Inventors: **Leslie A. Meck**, Fleetwood; **Rockwood T. Roberts, III**, Shillington, both of Pa.

[73] Assignee: **Baldwin Hardware Corporation**, Reading, Pa.

[\*\*] Term: **14 Years**

[21] Appl. No.: **29/095,832**

[22] Filed: **Oct. 30, 1998**

[51] **LOC (7) Cl.** ..... **26-05**

[52] **U.S. Cl.** ..... **D26/87**

[58] **Field of Search** ..... D26/87, 72, 85,  
D26/88, 89, 92, 67, 68, 69, 70; 362/147,  
431, 432, 363, 367

Progress Lighting Spartanburg, South Carolina pp. 188,161, 164,168, 185, 184, 186, 196, 198, Prior to Filing Date.  
American Lantern Company Newport, Arkansas pp. 48, 22, 45, 47, 43, 61, 62, Prior to Filing Date.  
Sea Gull Lighting Products, Inc. Riverside, New Jersey pp. 14, 20, 21, 17, 23, 1993.  
Hinkley Lighting, Inc. Cleveland, Ohio pp. 88, 94, 1990.  
Dinico Products, Inc. Hackensack, New Jersey Pages 31, 47, Prior to Filing Date.

*Primary Examiner*—Susan J. Lucas  
*Attorney, Agent, or Firm*—Myron B. Kapustij; Lloyd D. Doigan

## [57] CLAIM

The ornamental design for an outdoor lantern, as shown and described.

## DESCRIPTION

FIG. 1 is a front perspective view of an outdoor lantern showing our new design;  
FIG. 2 is a front elevational view thereof;  
FIG. 3 is a right side elevational view thereof, the left side being a mirror image;  
FIG. 4 is a top plan view thereof;  
FIG. 5 is a bottom plan view thereof; and,  
FIG. 6 is a rear elevational view thereof.  
The broken line showing of the light bulb socket in FIG. 1 is for purposes of illustration only and forms no part of the claimed design.

## [56] References Cited

### U.S. PATENT DOCUMENTS

D. 354,150 1/1995 Porter ..... D26/87 X

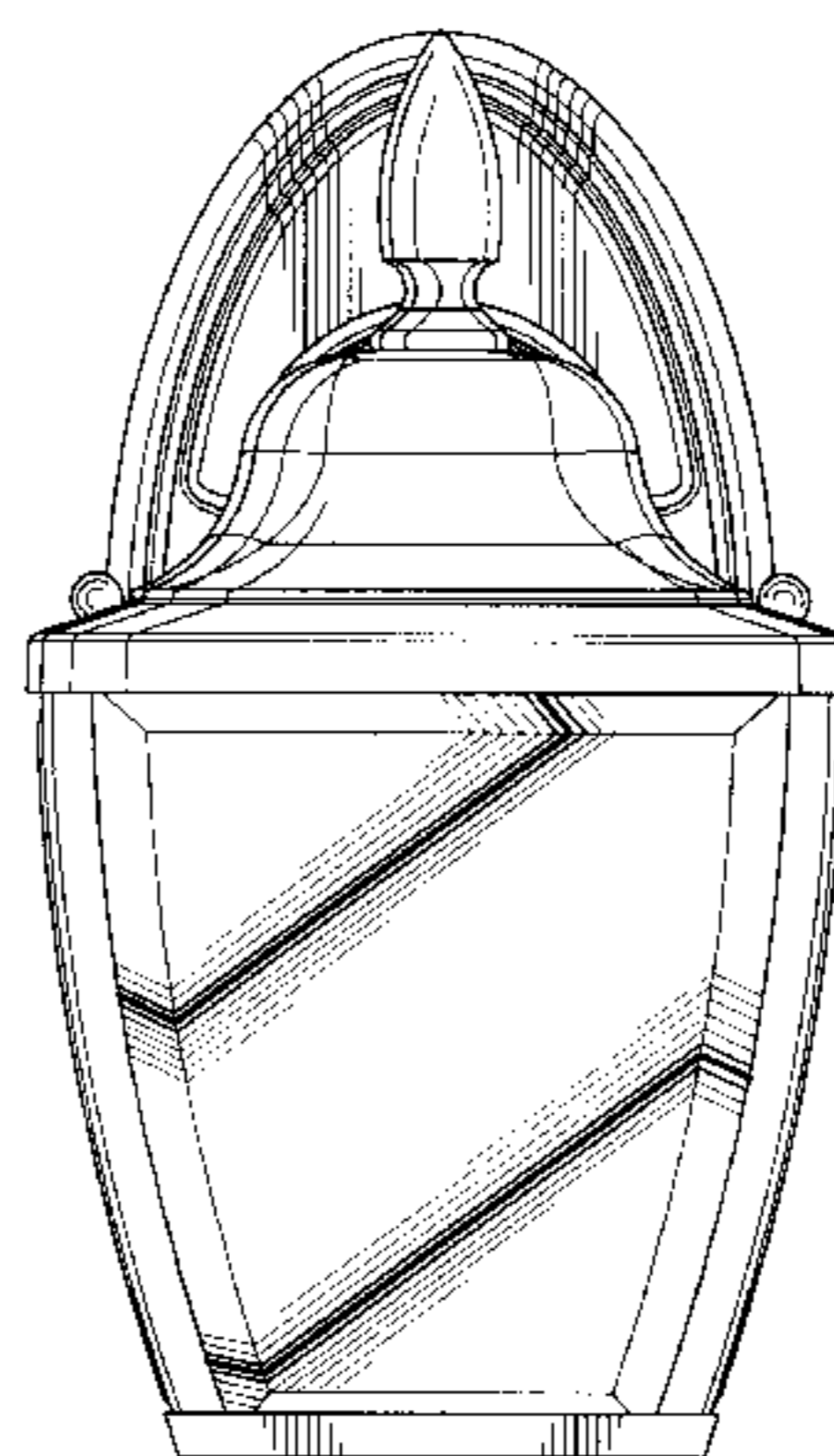
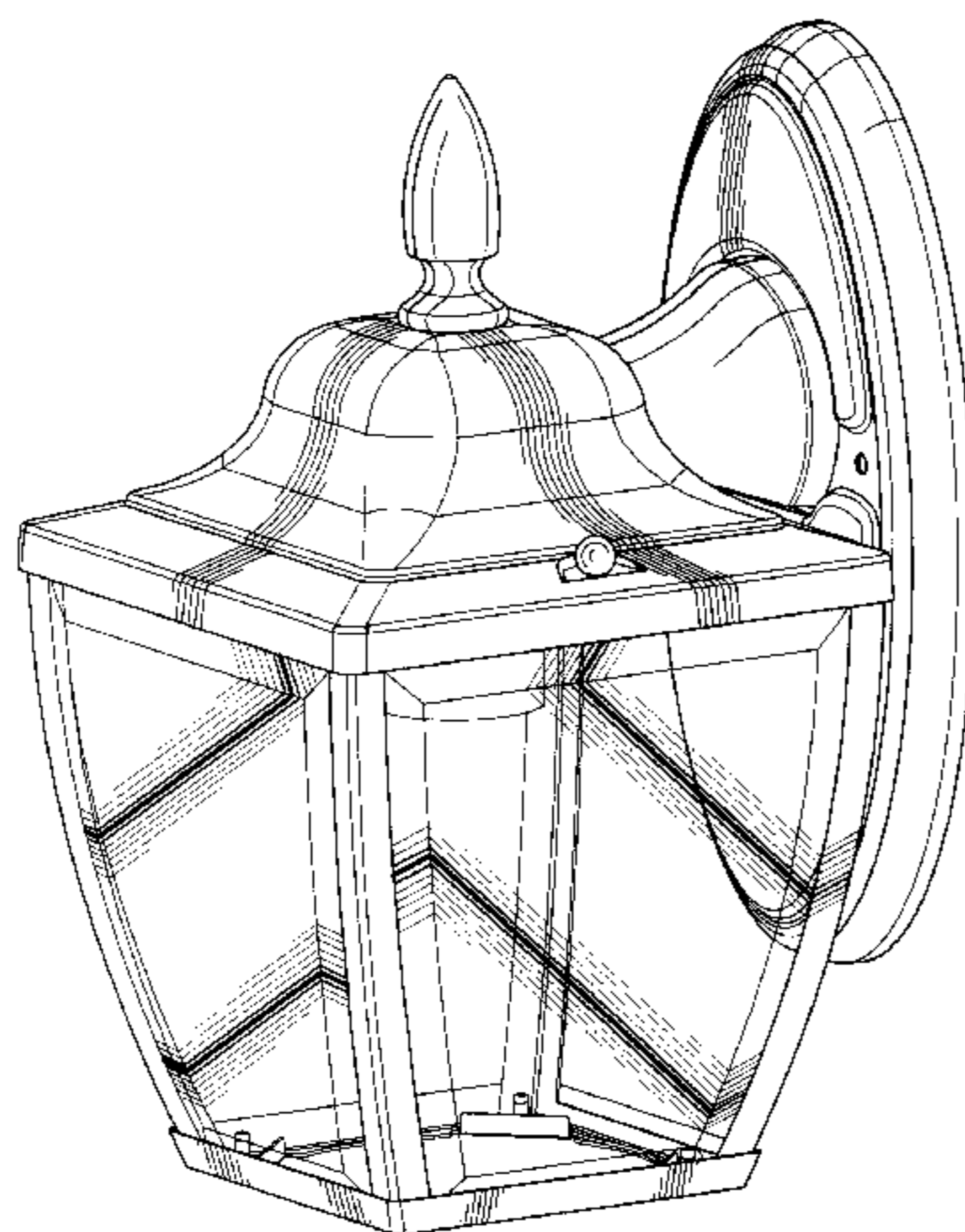
### OTHER PUBLICATIONS

Bright lighting catalog, p. 76, wall lantern body, #4010H, Jan. 1995.

Home Lighting and Accessories, p. 42, wall lantern, top right, Apr. 1997.

Homecoming Troy Lighting Lantern Collection City of Industry, California pp. 23, 24, 20, 28, 34, 60, Prior to Filing Date.

**1 Claim, 3 Drawing Sheets**



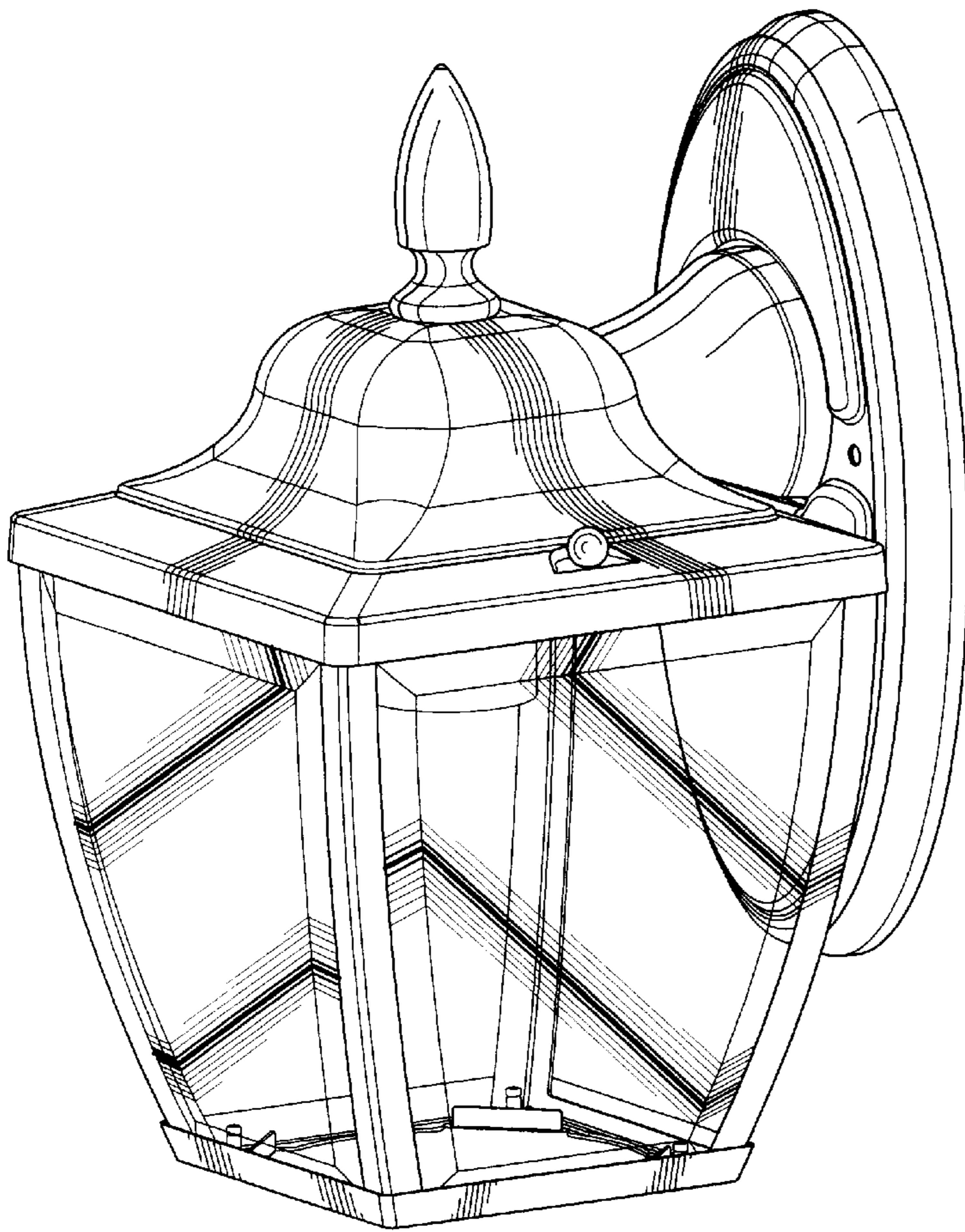


Fig-1

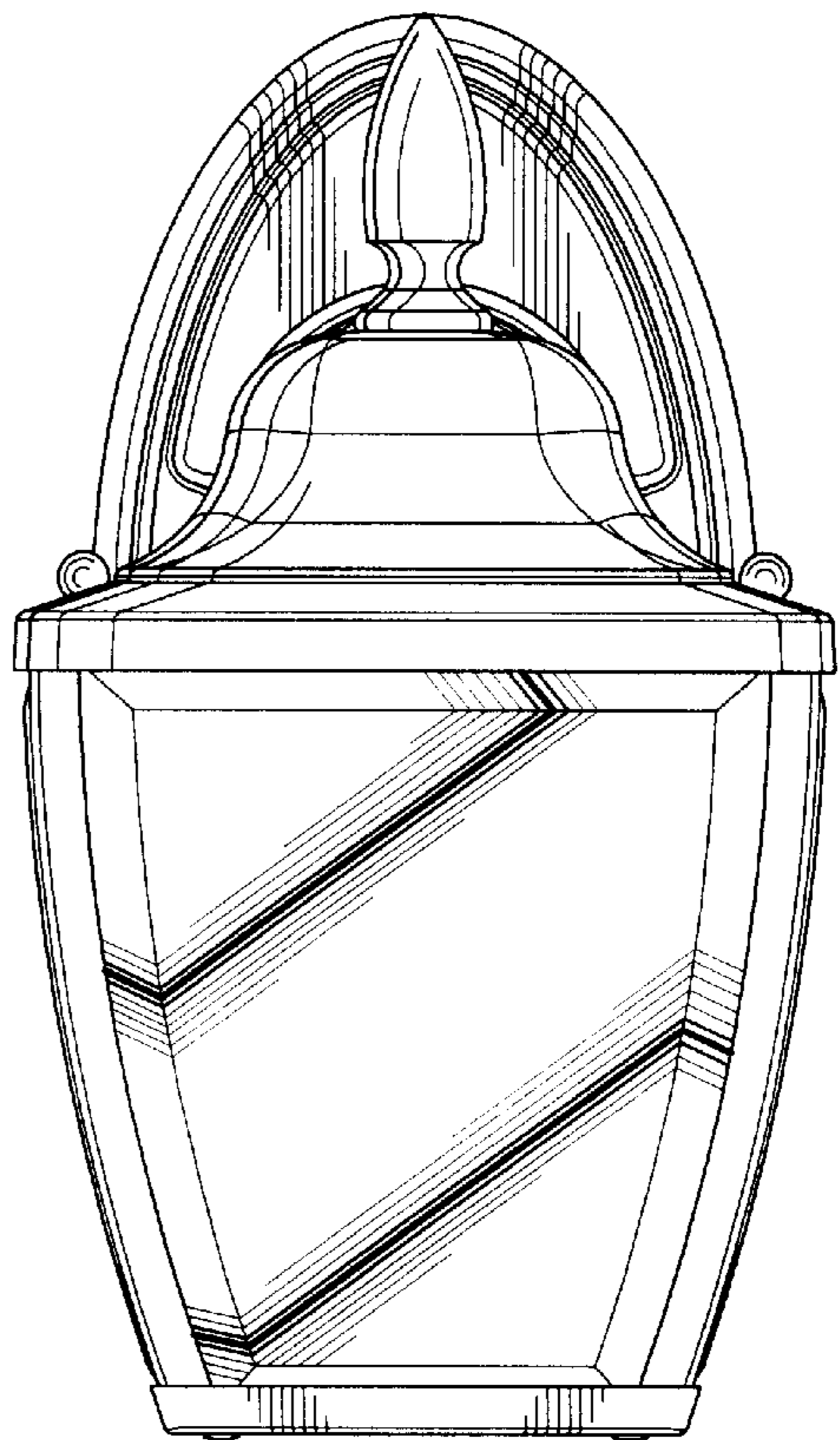


Fig-2

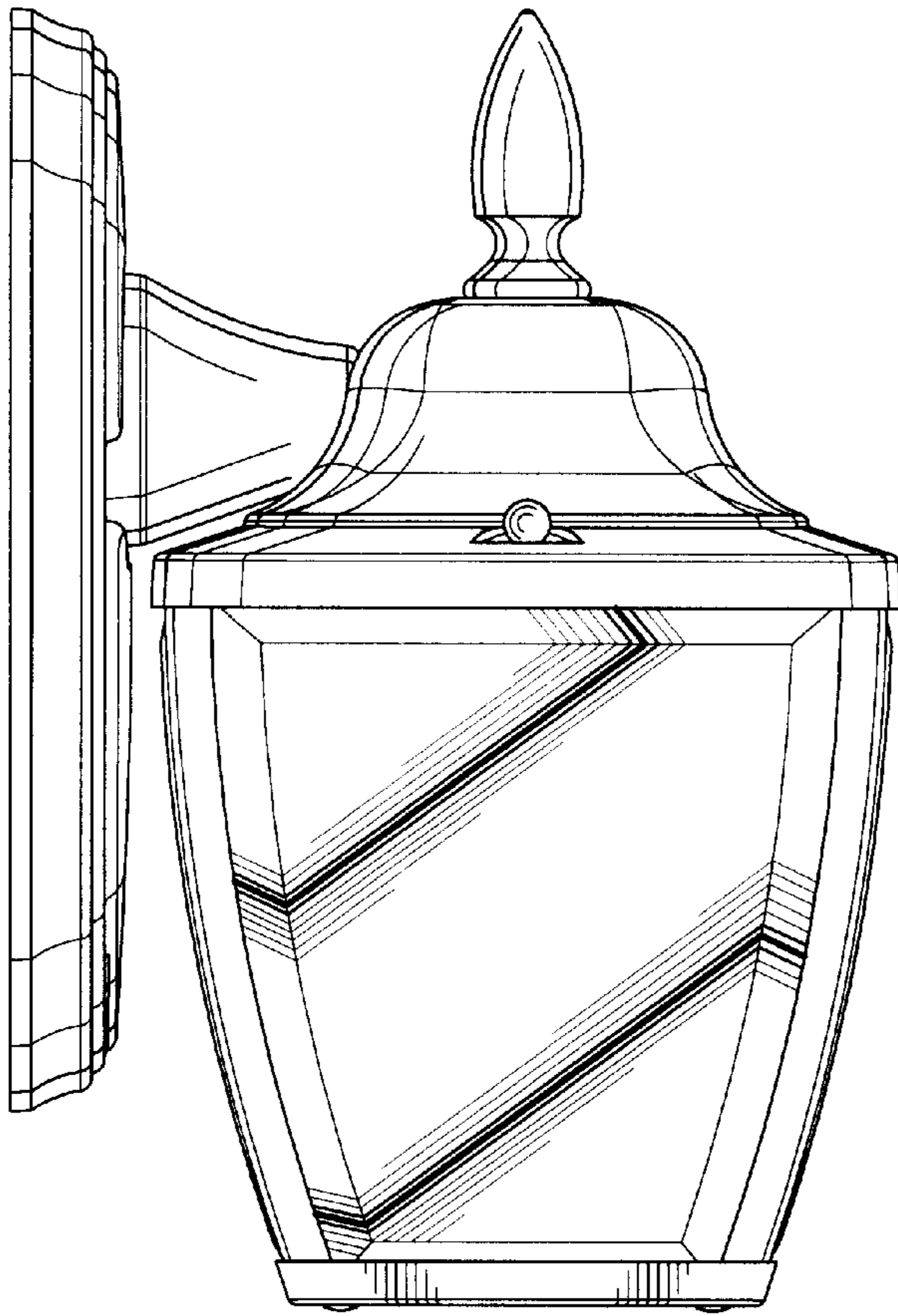


Fig-3

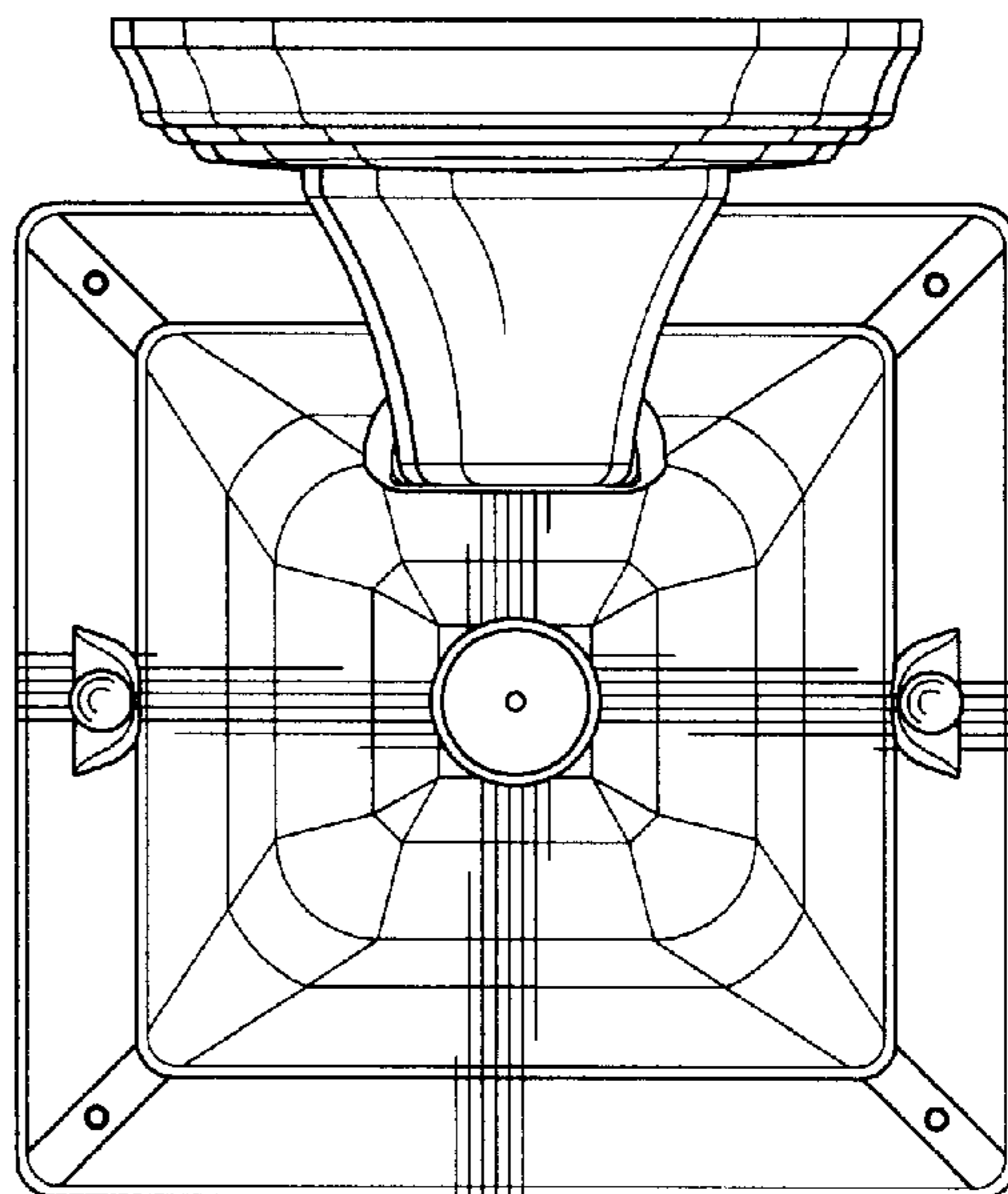


Fig-4

Fig-5

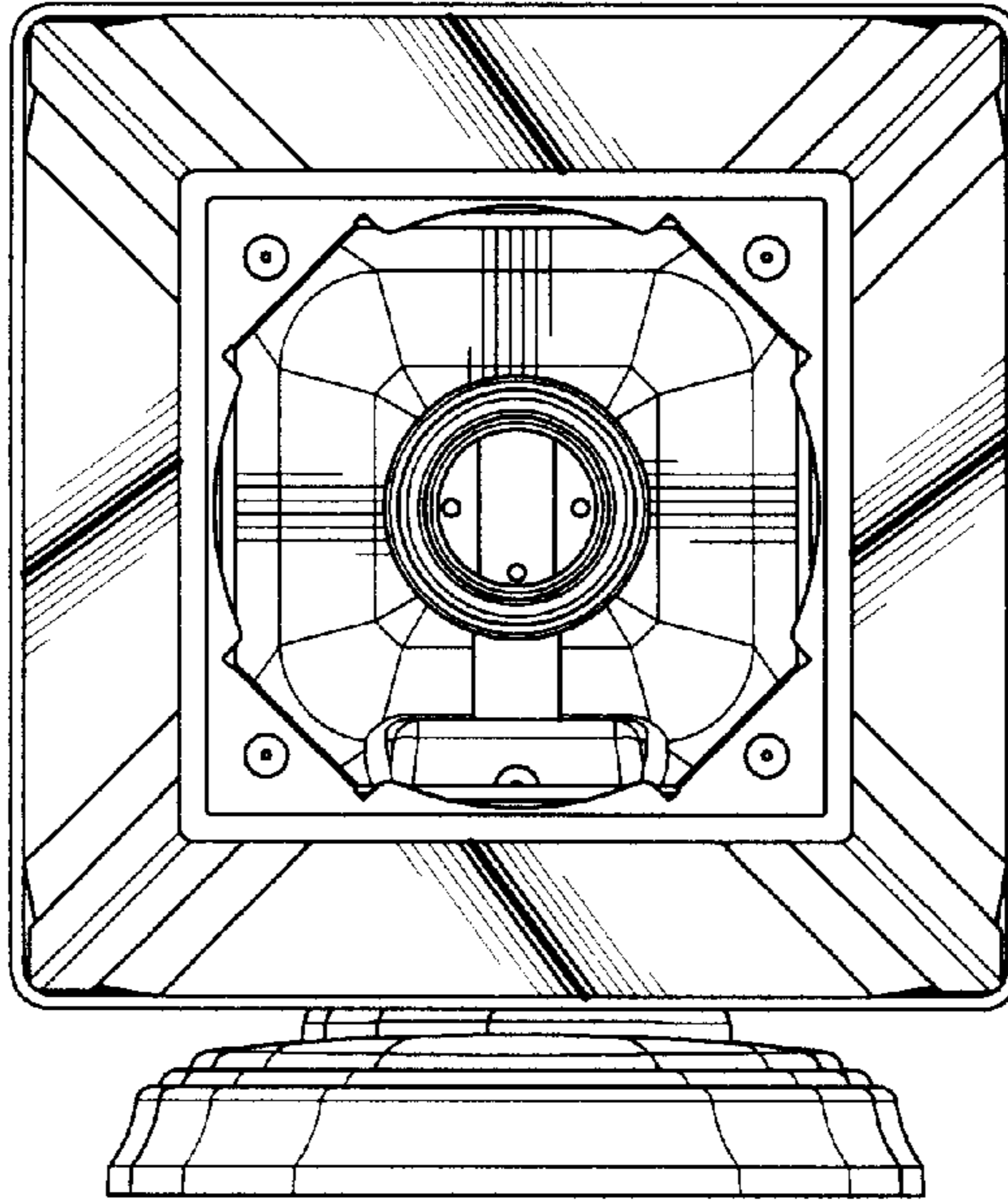


Fig-6

