



US00D420459S

United States Patent [19]

Meck et al.

[11] Patent Number: **Des. 420,459**

[45] Date of Patent: **** Feb. 8, 2000**

[54] **OUTDOOR LANTERN**

[75] Inventors: **Leslie A. Meck**, Fleetwood; **Rockwood T. Roberts, III**, Shillington, both of Pa.

[73] Assignee: **Baldwin Hardware Corporation**, Reading, Pa.

[**] Term: **14 Years**

[21] Appl. No.: **29/095,828**

[22] Filed: **Oct. 30, 1998**

[51] **LOC (7) Cl.** **26-05**

[52] **U.S. Cl.** **D26/87**

[58] **Field of Search** D26/87, 72, 85, D26/88, 89, 92, 67, 69, 70; 362/147, 431, 432, 363, 367

[56] **References Cited**

U.S. PATENT DOCUMENTS

D. 354,150 1/1995 Porter D26/87 X

OTHER PUBLICATIONS

Homecoming Troy Lighting Lantern Collection, City of Industry, California, pp. 23, 24, 20, 21, 28, 34, 60 Prior to Filing Date, Page 23 missing.

Progress Lighting, Spartanburg, South Carolina, pp. 188, 161, 164, 168, 185, 184, 186, 196, 198 Prior to Filing Date. American Lantern Company, Newport, Arkansas, pp. 48, 22, 45, 47, 43, 61, 62 Prior to Filing Date.

Sea Gull Lighting Products, Inc., Riverside, New Jersey, pp. 14, 20, 21, 17, 23, 1993.

Hinkley Lighting, Inc., Cleveland, Ohio, pp. 88, 94, 1990. Dinico Products, Inc., Hackensack, New Jersey, pp. 31, 47 Prior to Filing Date.

Bright lighting catalog, p. 75, wall lantern #AL-1031H, Jan. 1995.

Bright lighting catalog, p. 76, wall lantern #4101H, Jan. 1995.

Home Lighting and Accessories, p. 48, wall lantern, #6280-05, Jun. 1996.

Primary Examiner—Susan J. Lucas

Attorney, Agent, or Firm—Myron B. Kapustij; Lloyd D. Doigan

[57] **CLAIM**

The ornamental design for an outdoor lantern, as shown and described.

DESCRIPTION

FIG. 1 is a front perspective view of an outdoor lantern showing our new design;

FIG. 2 is a front elevational view thereof;

FIG. 3 is a right side elevational view thereof, the left side being a mirror image;

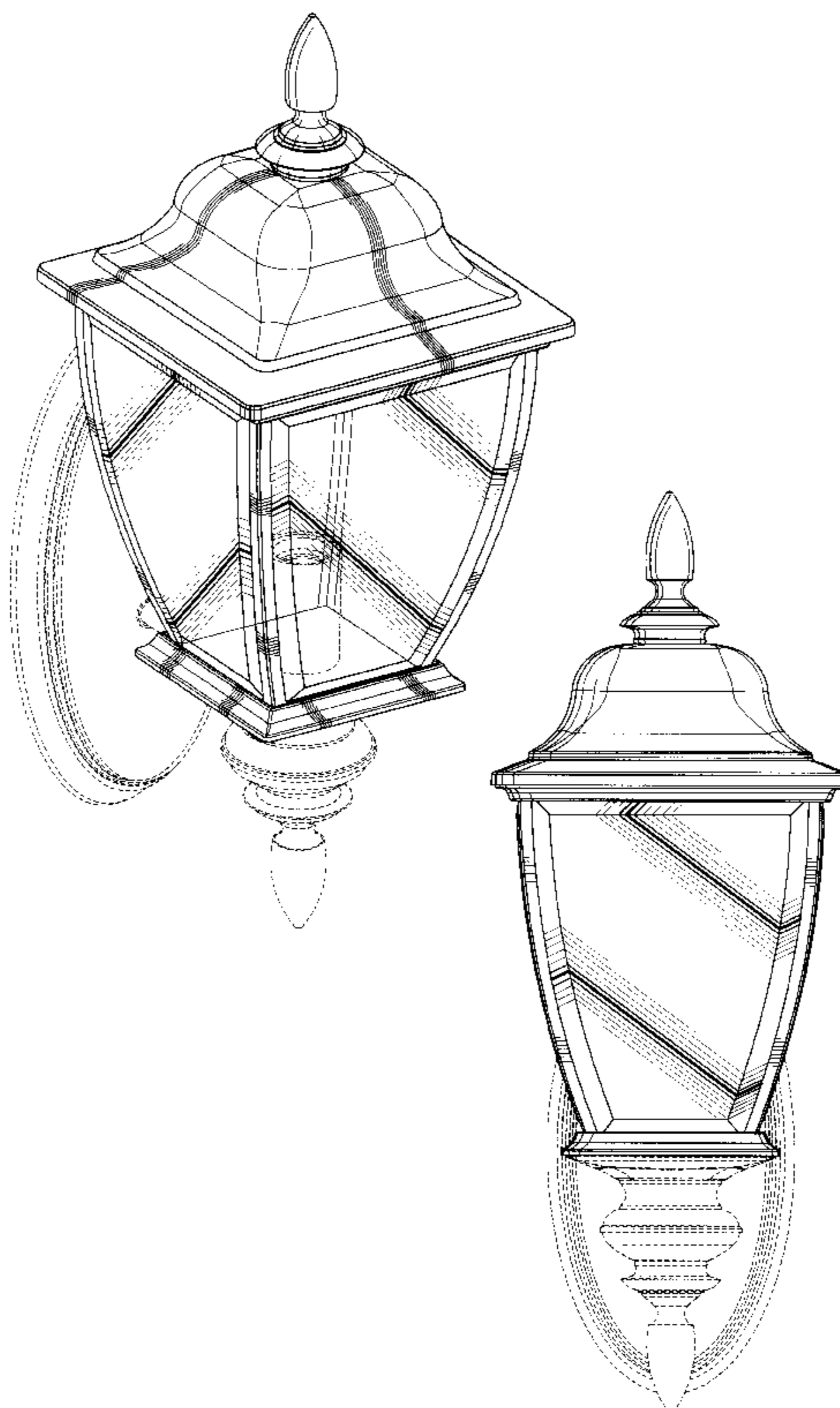
FIG. 4 is a top plan view thereof;

FIG. 5 is a bottom plan view thereof; and,

FIG. 6 is a rear elevational view thereof.

The broken line showing of the base in FIGS. 1, 2, 3 and 4, the tail in FIGS. 1, 2 and 3, and the light bulb socket in FIG. 1 are for purposes of illustration only and form no part of the claimed design.

1 Claim, 3 Drawing Sheets



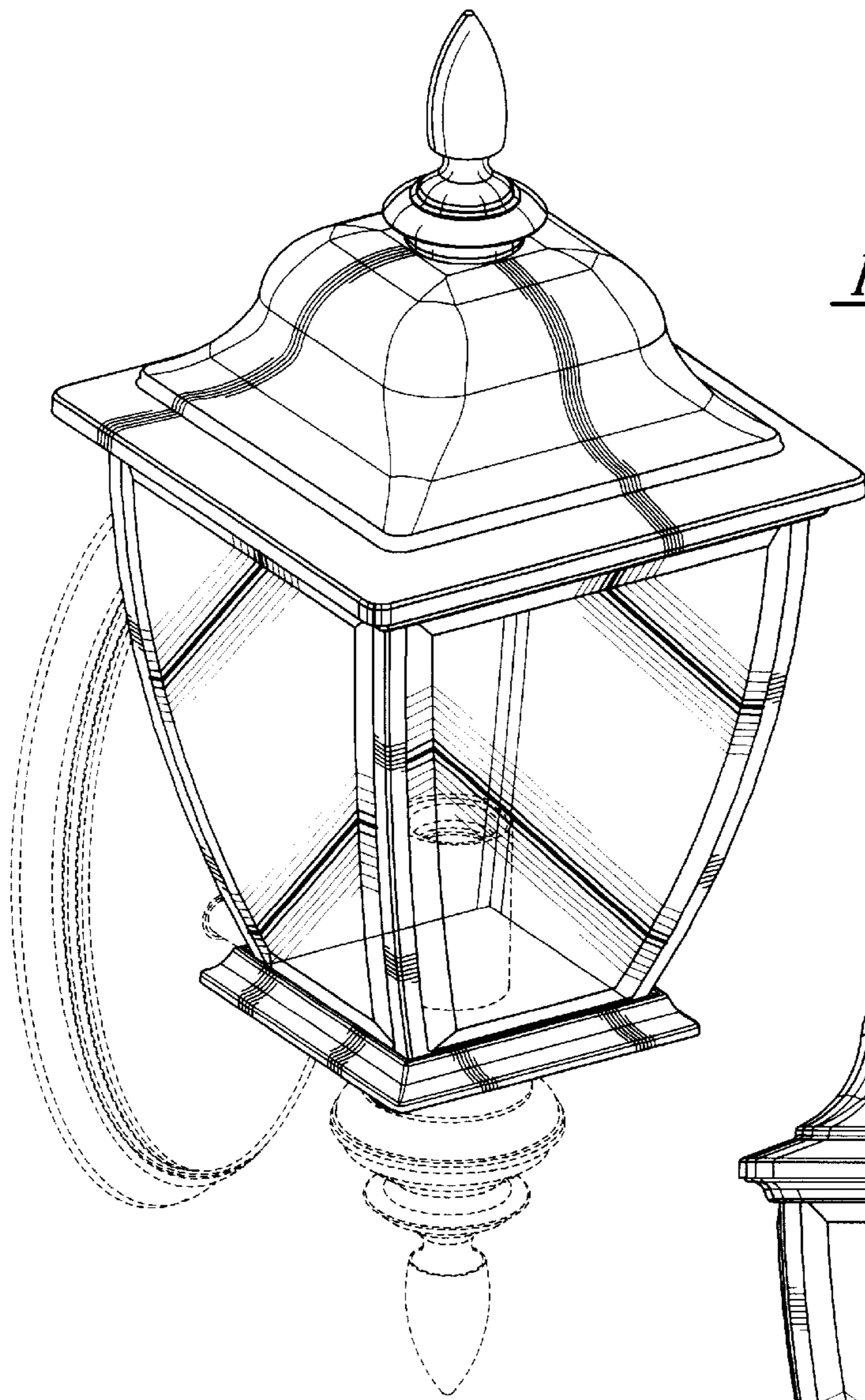


Fig-1

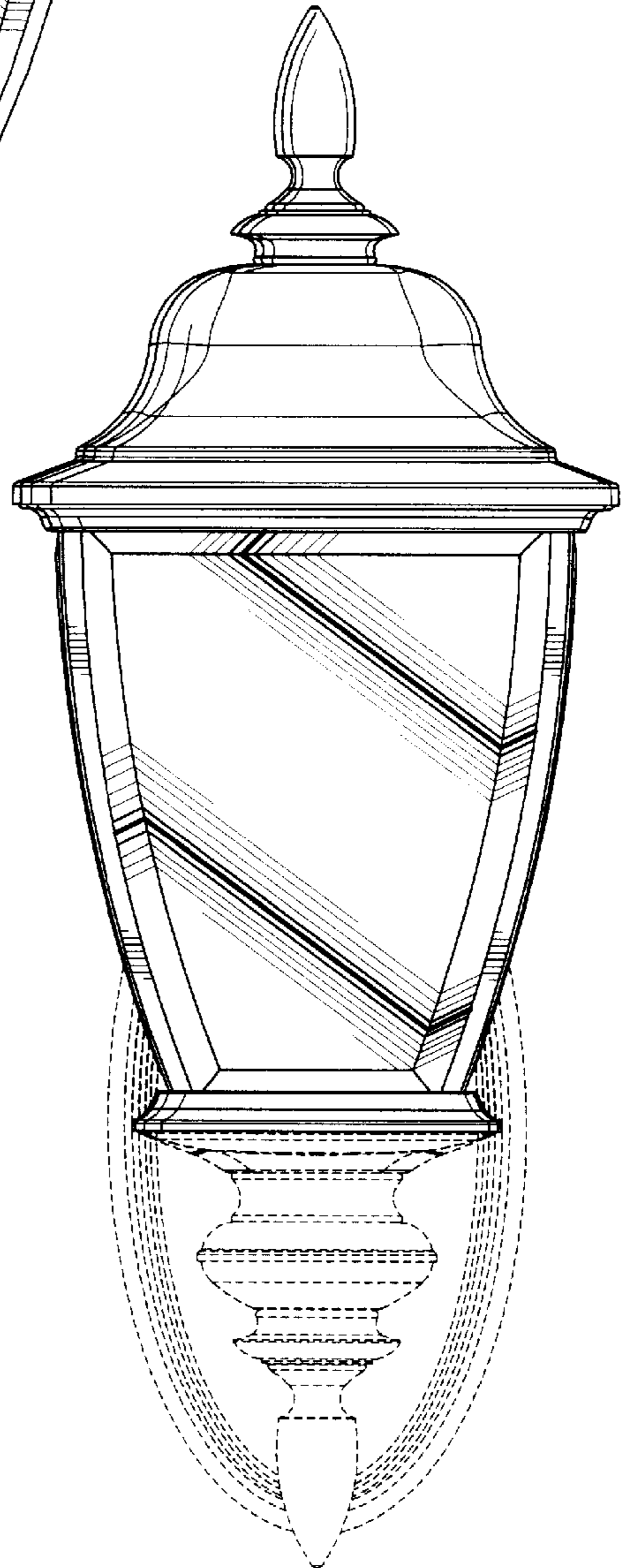


Fig-2

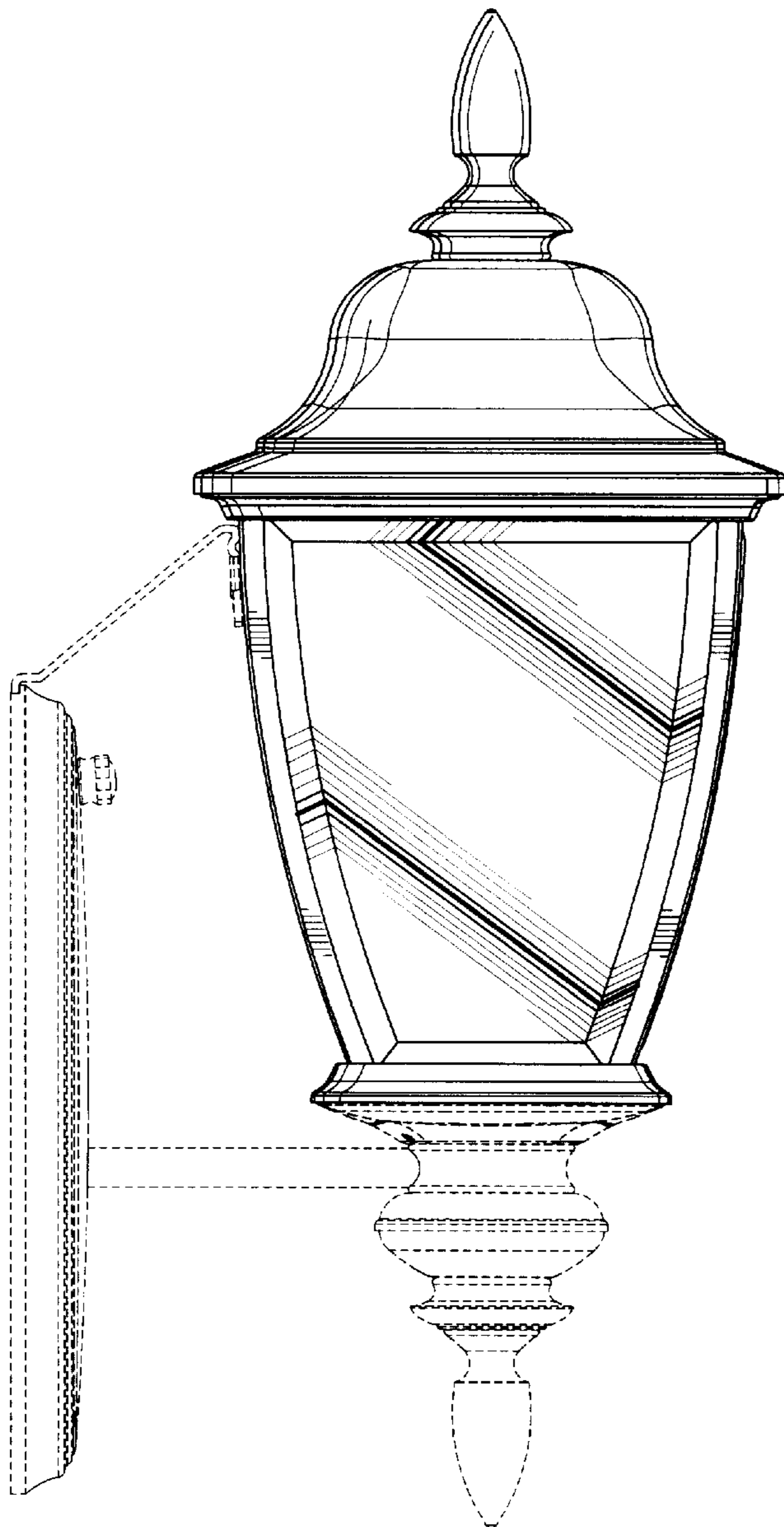


Fig-3

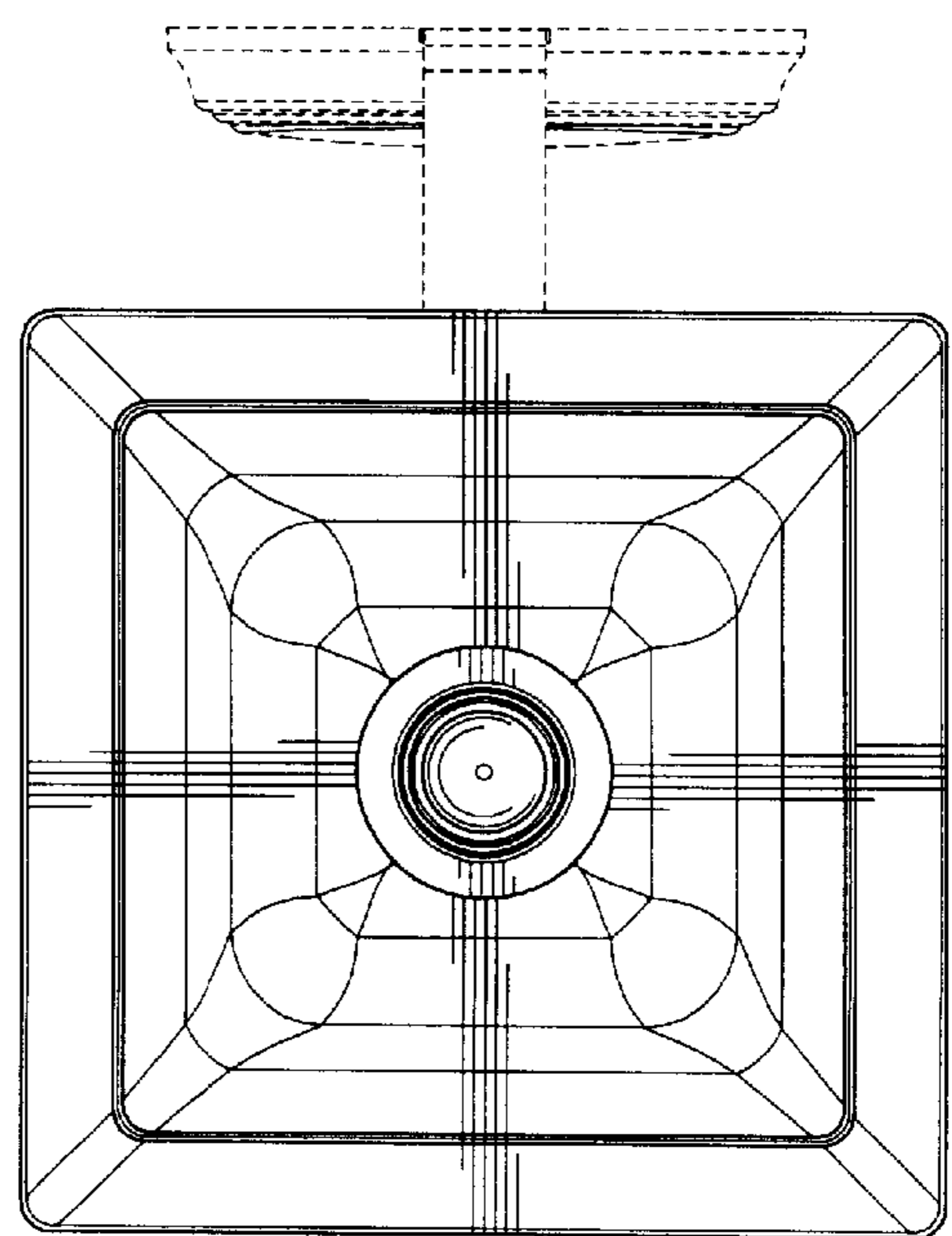


Fig-4

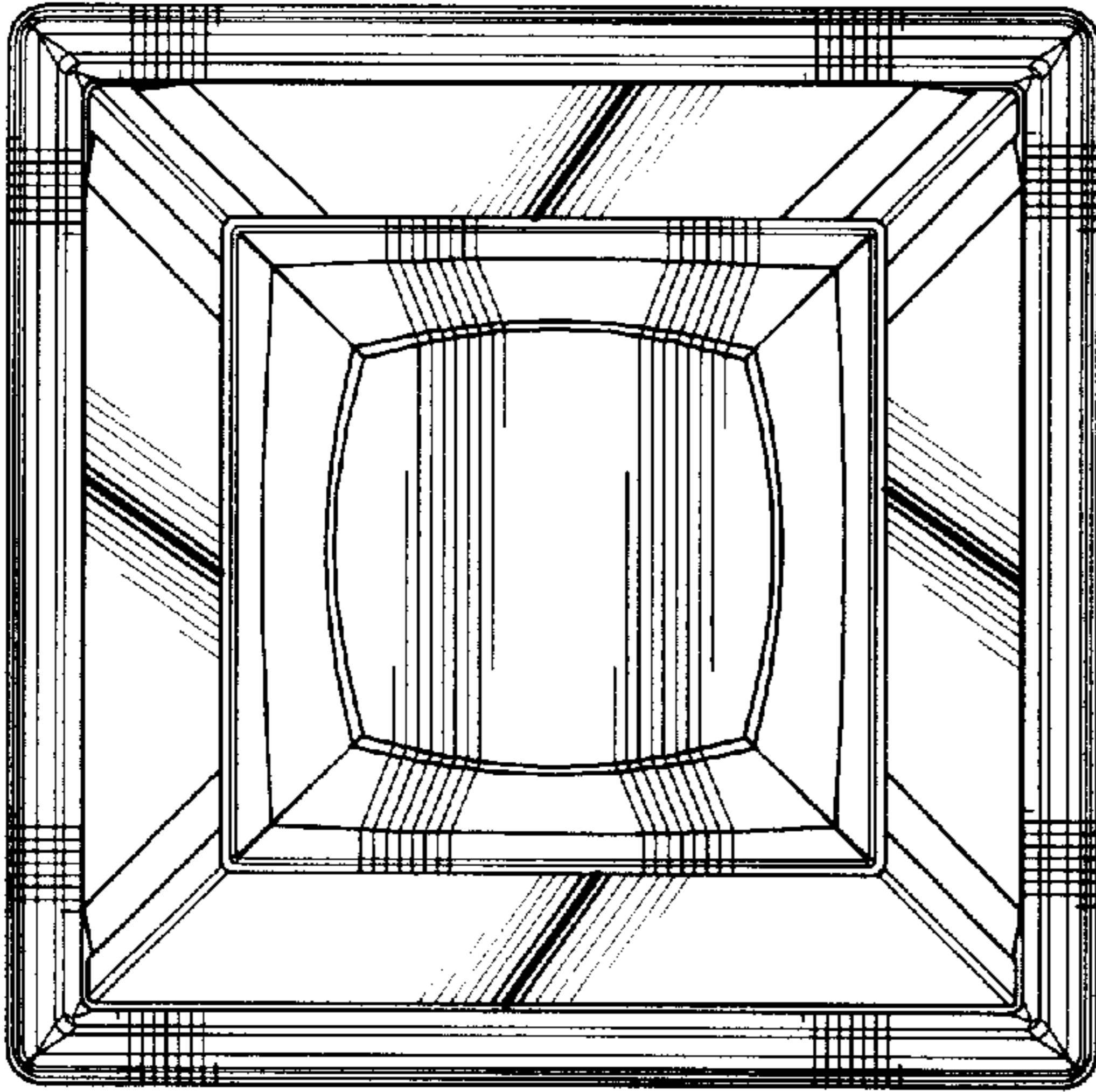


Fig-5

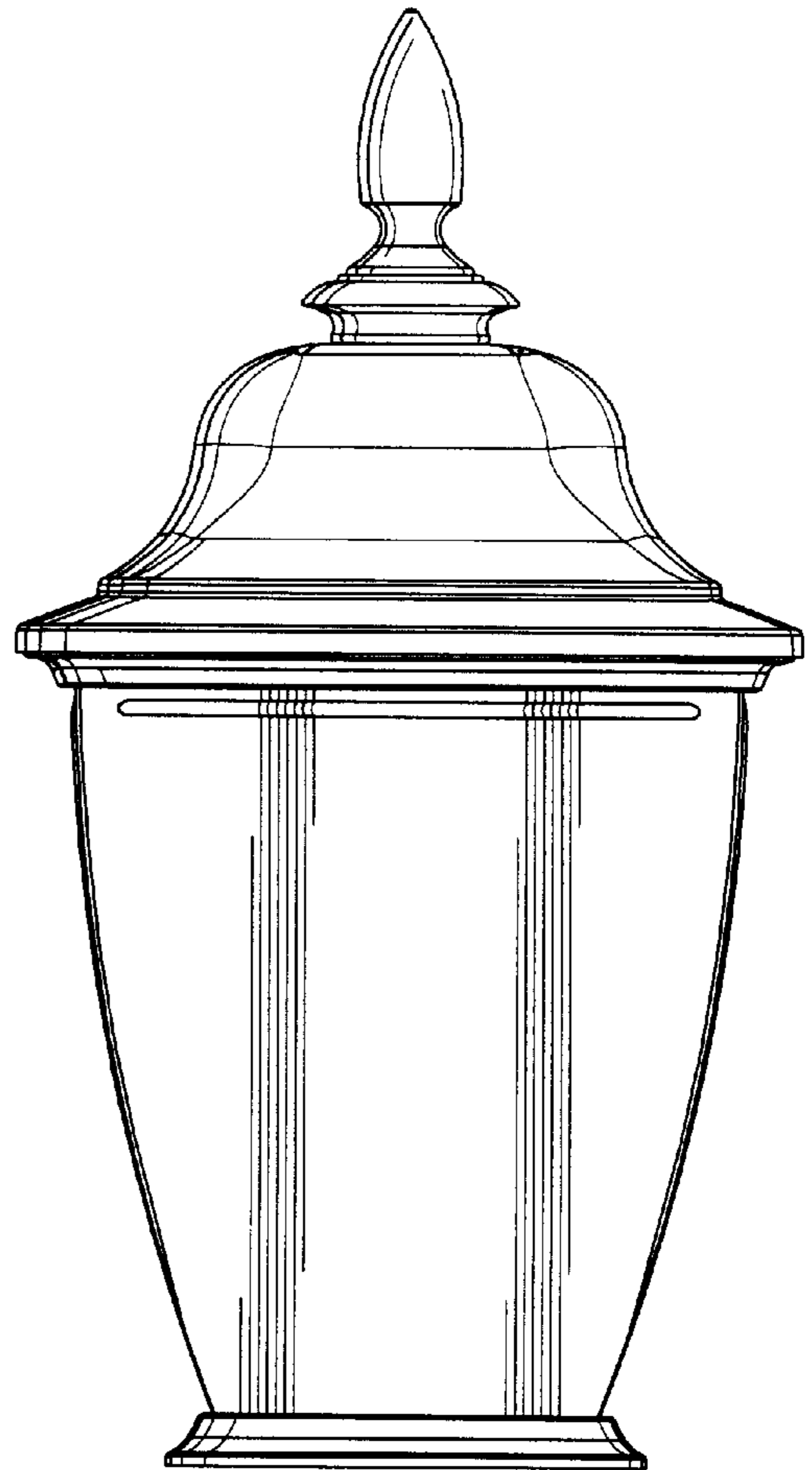


Fig-6